



Chipsmall Limited consists of a professional team with an average of over 10 year of expertise in the distribution of electronic components. Based in Hongkong, we have already established firm and mutual-benefit business relationships with customers from,Europe,America and south Asia,supplying obsolete and hard-to-find components to meet their specific needs.

With the principle of "Quality Parts,Customers Priority,Honest Operation,and Considerate Service",our business mainly focus on the distribution of electronic components. Line cards we deal with include Microchip,ALPS,ROHM,Xilinx,Pulse,ON,Everlight and Freescale. Main products comprise IC,Modules,Potentiometer,IC Socket,Relay,Connector.Our parts cover such applications as commercial,industrial, and automotives areas.

We are looking forward to setting up business relationship with you and hope to provide you with the best service and solution. Let us make a better world for our industry!



## Contact us

Tel: +86-755-8981 8866 Fax: +86-755-8427 6832

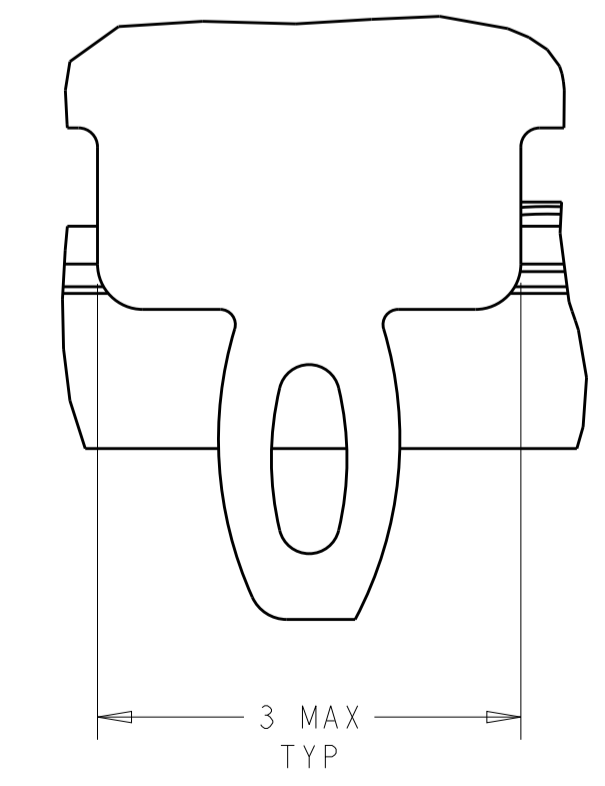
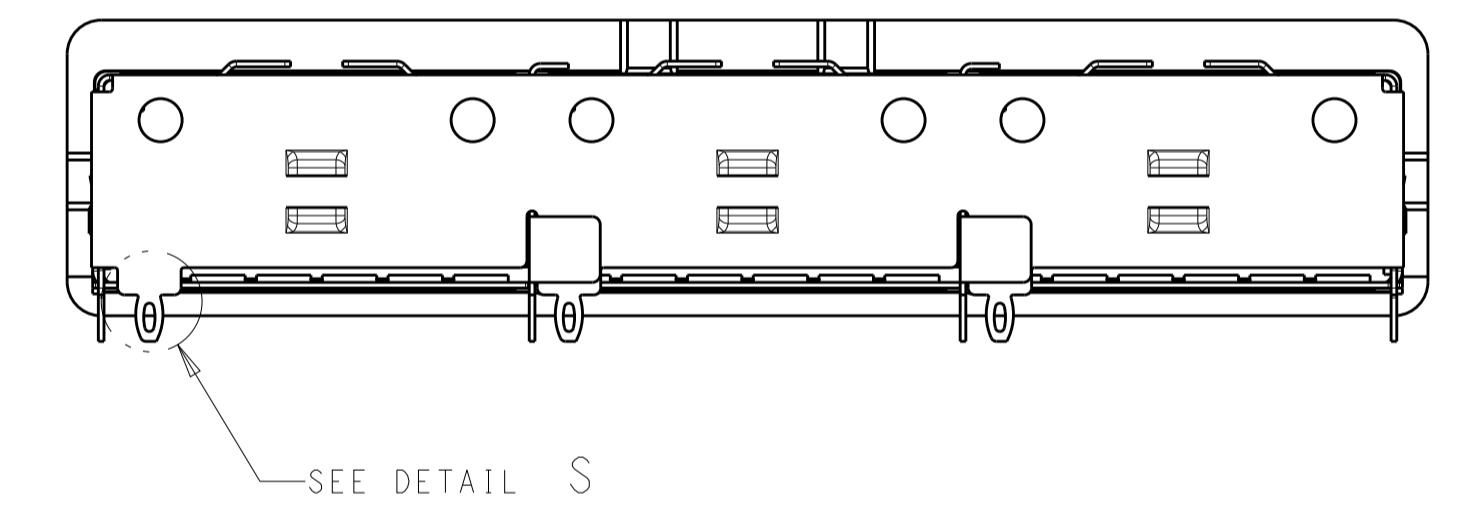
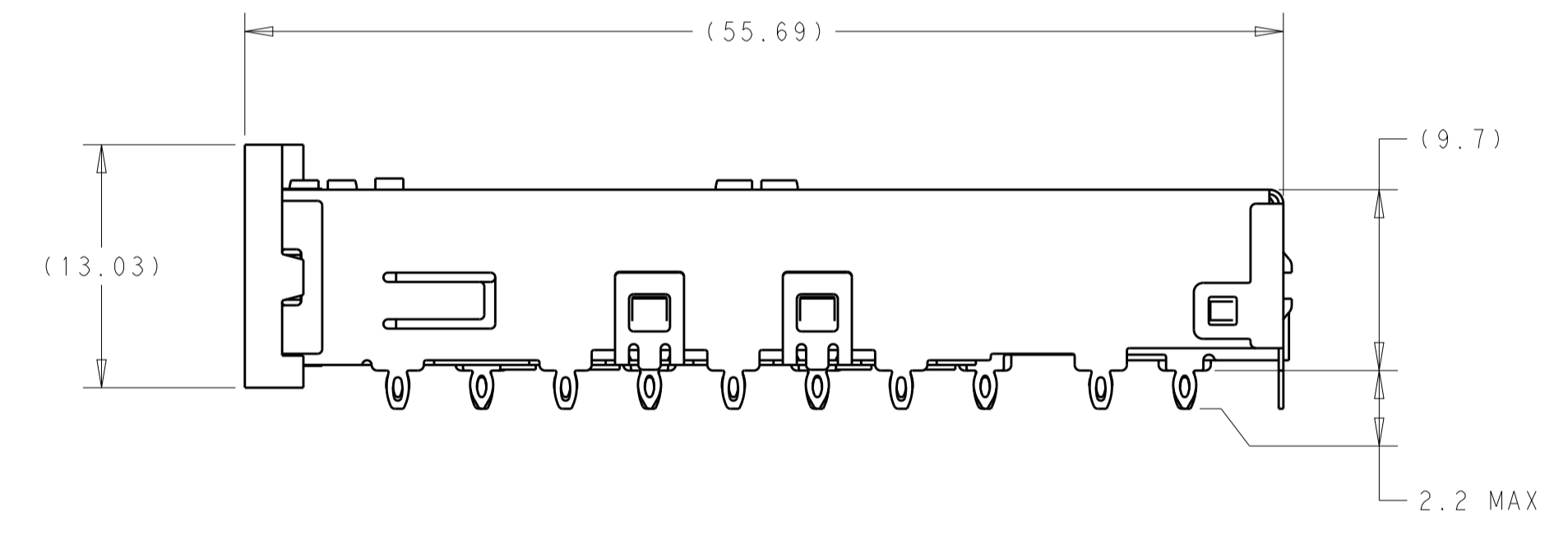
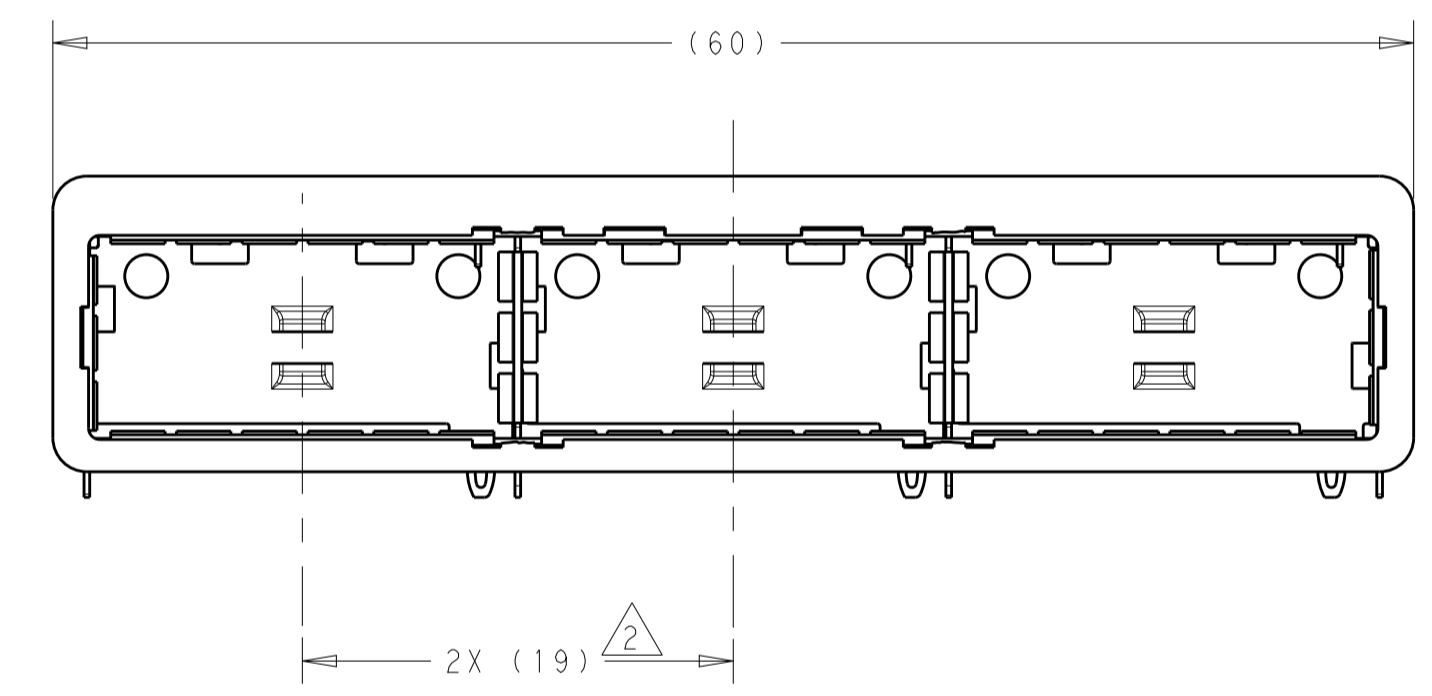
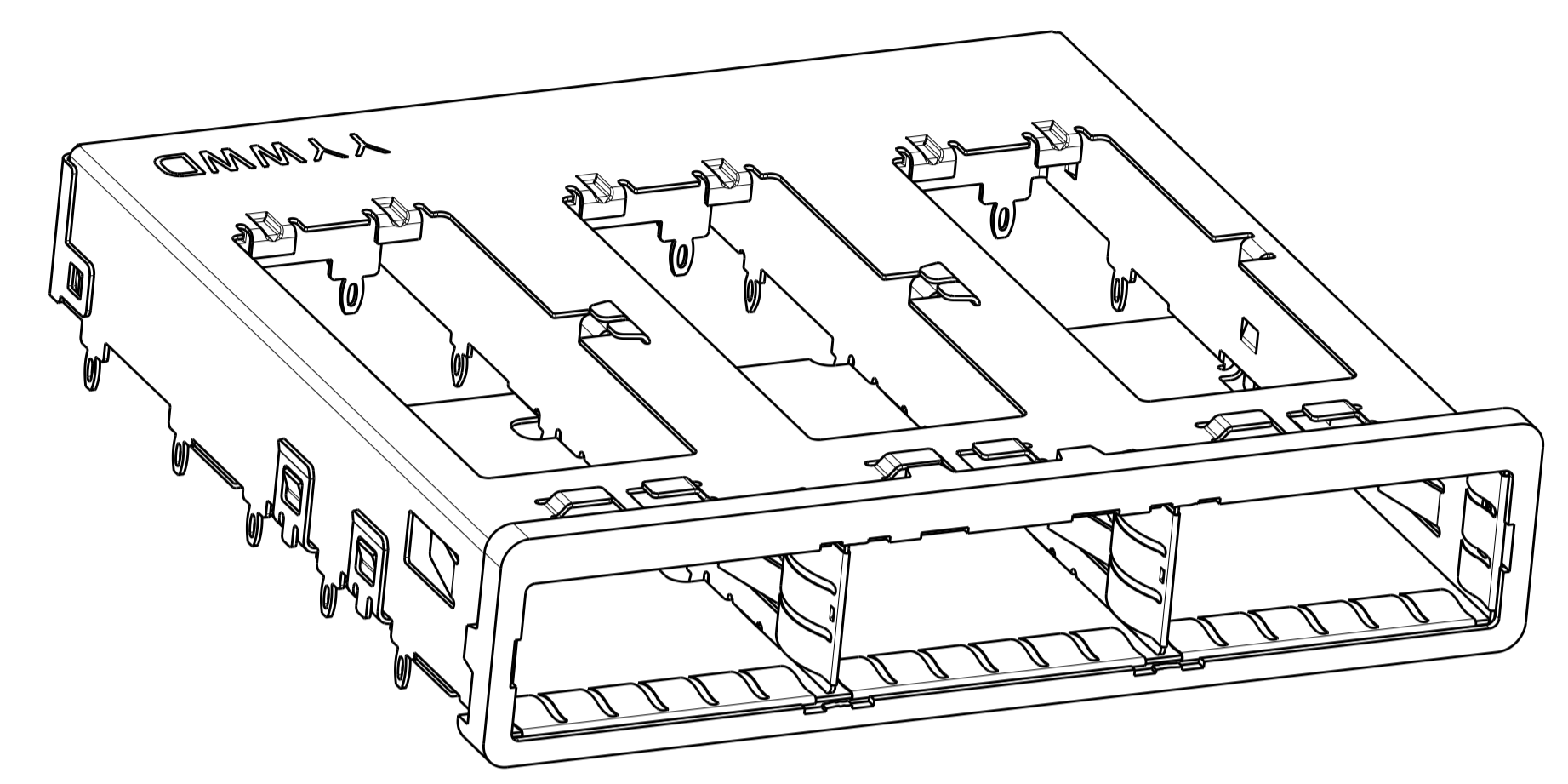
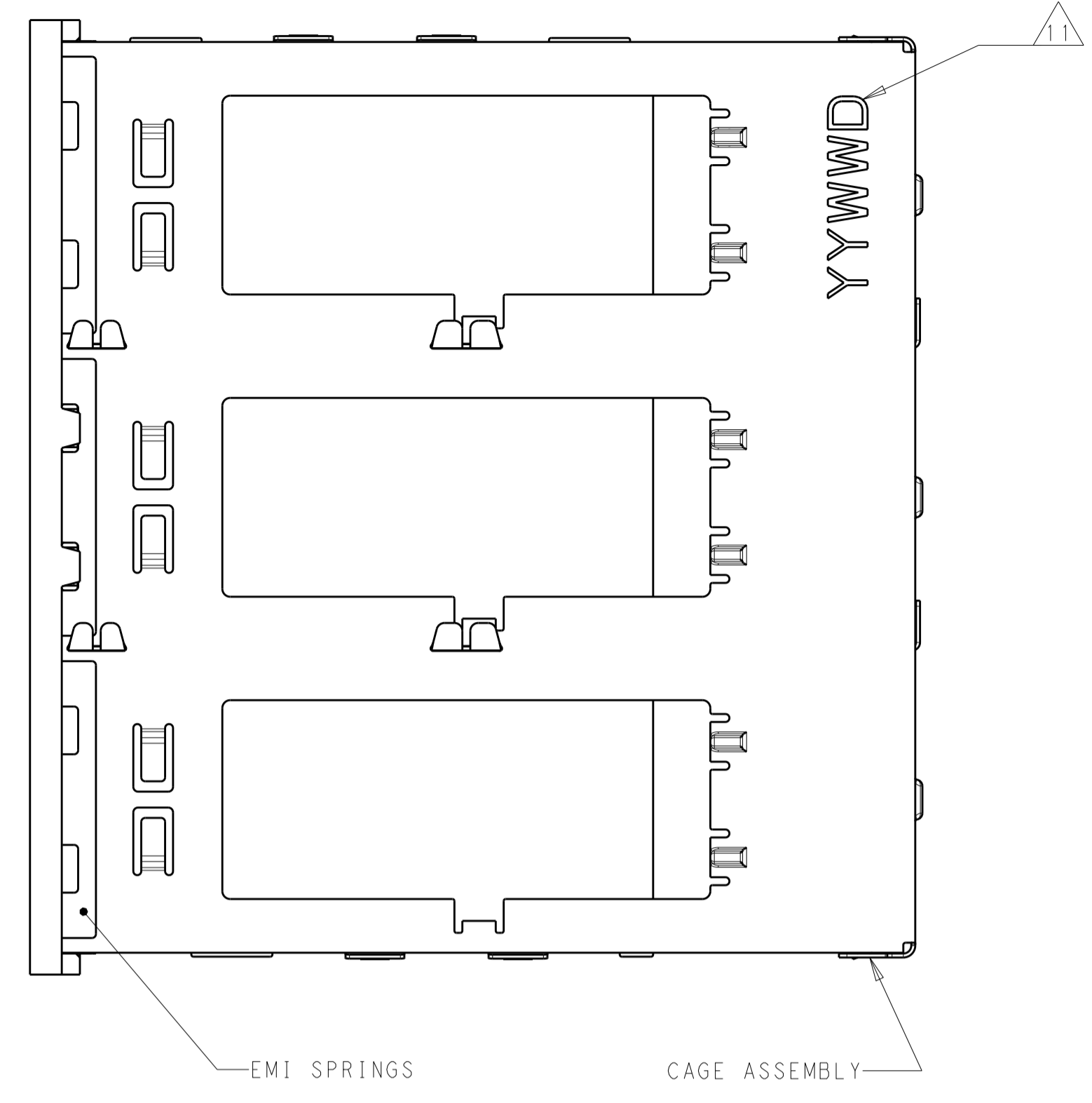
Email & Skype: info@chipsmall.com Web: www.chipsmall.com

Address: A1208, Overseas Decoration Building, #122 Zhenhua RD., Futian, Shenzhen, China

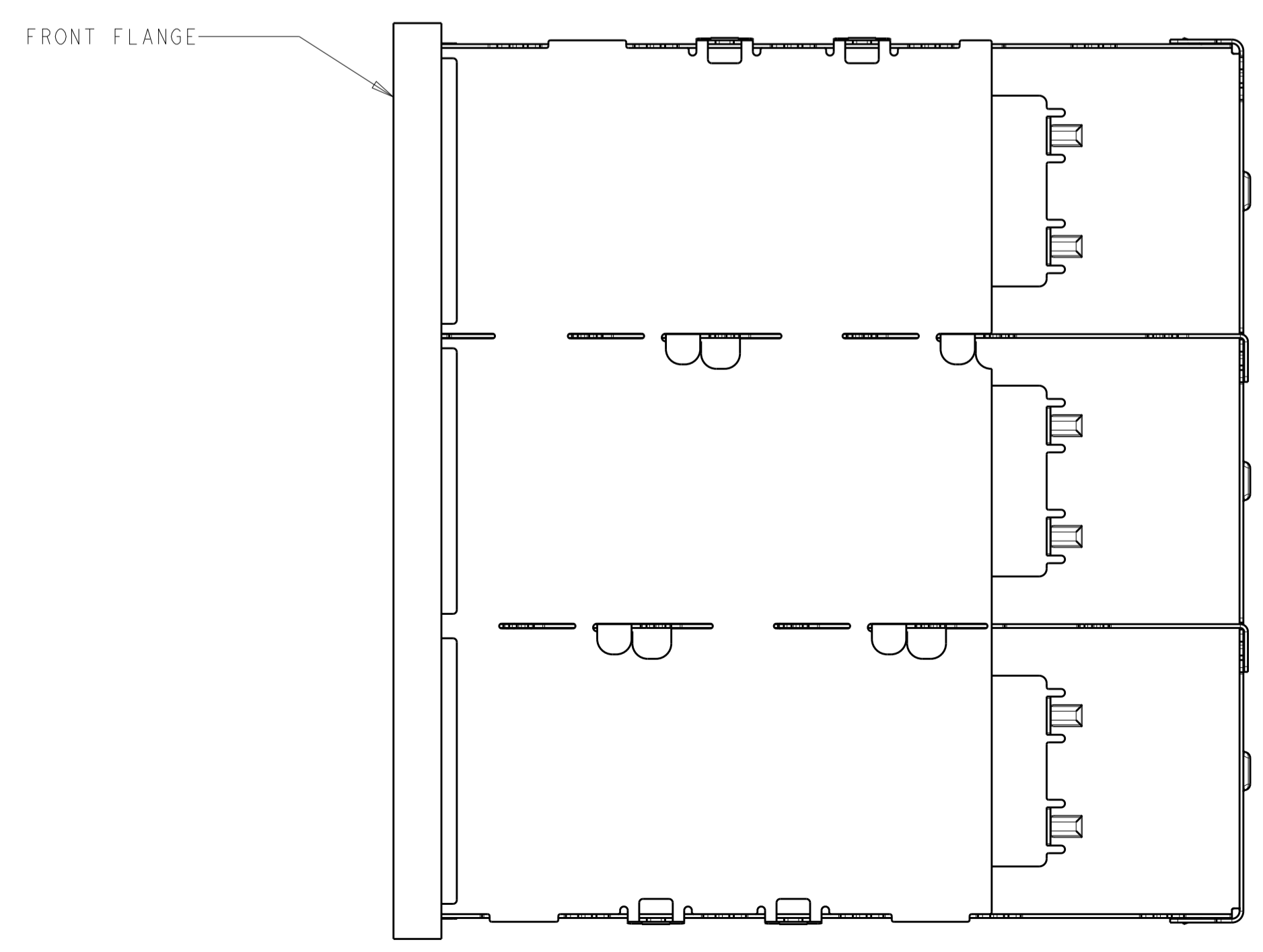


LOC		DIST		REVISIONS			
GP	00	P	LTN	DESCRIPTION	DATE	DWN	APVD
		A		RELEASED PER ECO-12-000076	17JAN2013	CJV	EDB

- △ SURFACE TRACES PERMITTED WITHIN THIS AREA EXCEPT WHERE CAGE STANDOFFS, SHOWN IN DETAIL S, CONTACT PC BOARD.
- △ PITCH BETWEEN PORTS OF ONE 1X3 CAGE ASSEMBLY.
- △ SPACING BETWEEN CAGES ON THE SAME PC BOARD, TO BE SPECIFIED BY CUSTOMER, MUST COMPLY WITH MINIMUM DIMENSIONS SHOWN.
- △ REFERENCE APPLICATION SPEC 114- ---- FOR RECOMMENDED DRILL HOLE DIAMETER AND PLATING THICKNESS.
- △ UNPLATED THRU HOLE.
- △ DATUMS AND BASIC DIMENSIONS ESTABLISHED BY CUSTOMER.
- △ DATUM A IS TOP SURFACE OF PC BOARD.
- △ DIMENSION C IS THE NOMINAL THICKNESS OF CUSTOMER SUPPLIED PC BOARD.
- MINIMUM PC BOARD THICKNESS:  
 SINGLE SIDED = 1.45mm  
 DOUBLE SIDED = 2.2mm
- ⊕ MATES WITH QSFP MSA COMPATIBLE TRANSCEIVER.
- △ BASELINE FOR THESE DIMENSIONS IS THE CENTER OF COMPLIANT PIN HOLE.
- △ DATE CODE (YYWW) MARKED APPROXIMATELY AS SHOWN.
- △ REFERENCE APP SPEC 114- ---- FOR GASKET THICKNESS CALCULATION.
- △ MATERIAL:  
 CAGE ASSEMBLY: NICKEL SILVER, 0.25 THICK  
 EMI SPRINGS: COPPER ALLOY  
 FRONT FLANGE: ZINC ALLOY
- △ FINISH:  
 EMI SPRINGS: 2µm MINIMUM TIN  
 FRONT FLANGE: 3µm MINIMUM TIN OVER 1.27µm MINIMUM NICKEL OVER 5.08µm MINIMUM COPPER.



DETAIL S  
 SCALE 20:1



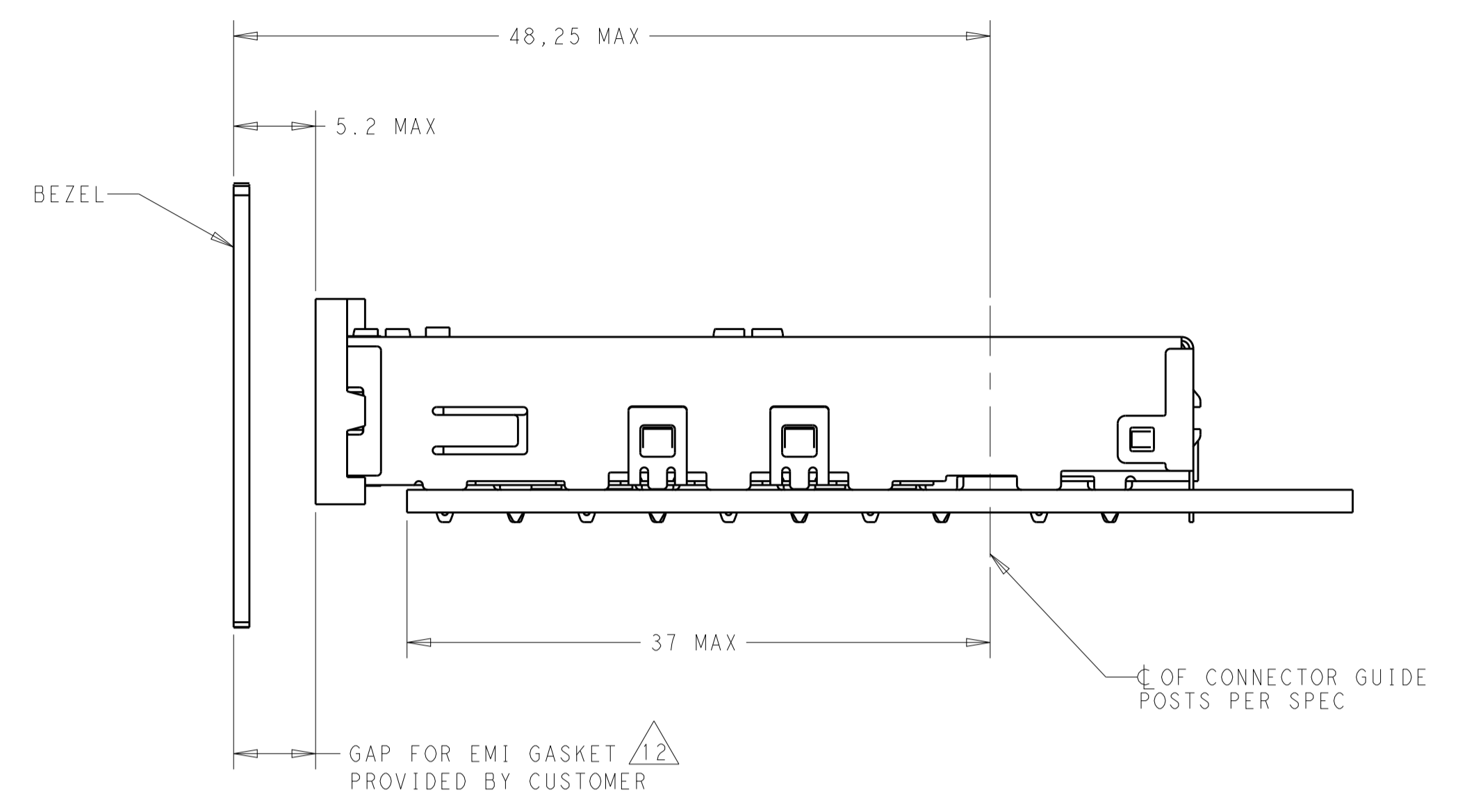
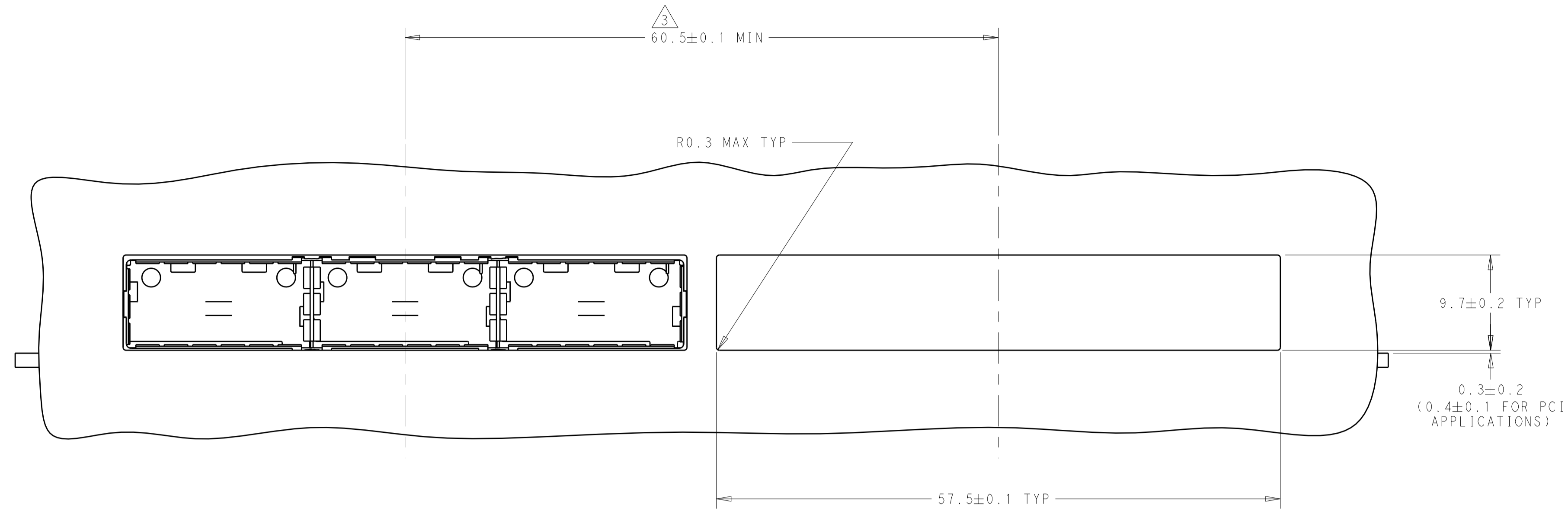
2173238-1  
 PART NUMBER

THIS DRAWING IS A CONTROLLED DOCUMENT. DIMENSIONING AND TOLERANCING PER ASME Y14.5M-2009		DWN J.V.D. HEIJDEN 12AUG2011	CHK R. VERBEET 12AUG2011	APVD T.D. ROER 15AUG2011	NAME 1X3 CAGE ASSEMBLY, BEHIND BEZEL, QSFP+
DIMENSIONS:	TOLERANCES UNLESS OTHERWISE SPECIFIED:	PRODUCT SPEC			SIZE
mm	0 PLC ±0.1	108- ----			CAGE CODE
⌀	2 PLC ±0.1	APPLICATION SPEC			DRAWING NO
	3 PLC ±0.013	114- ----			A100779
	4 PLC ±0.0001	WEIGHT			C=2173238
	ANGLES ±	CUSTOMER DRAWING			SCALE 3:1
MATERIAL	FINISH	SHEET 1 OF 4			REV A
△13	△14				

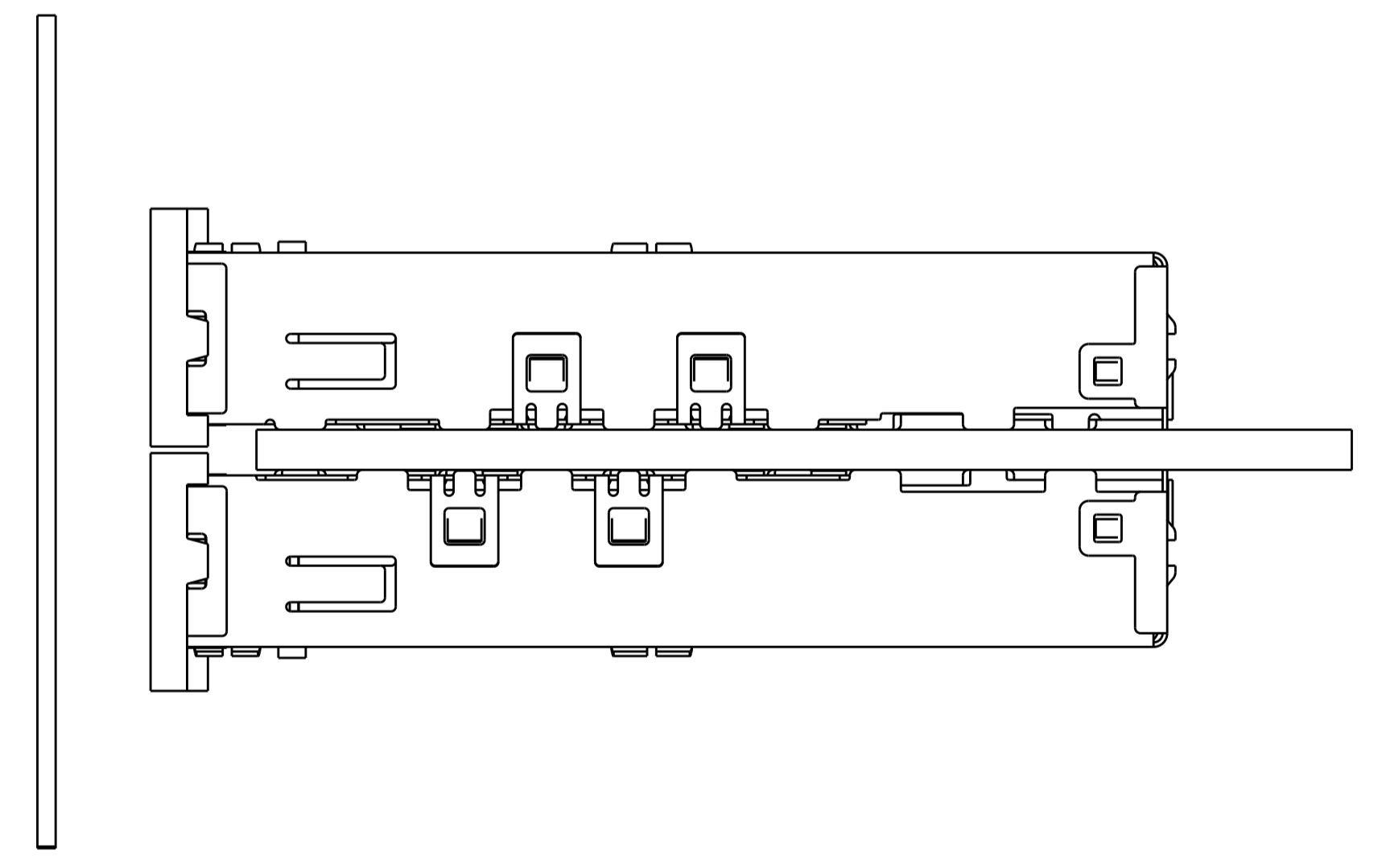
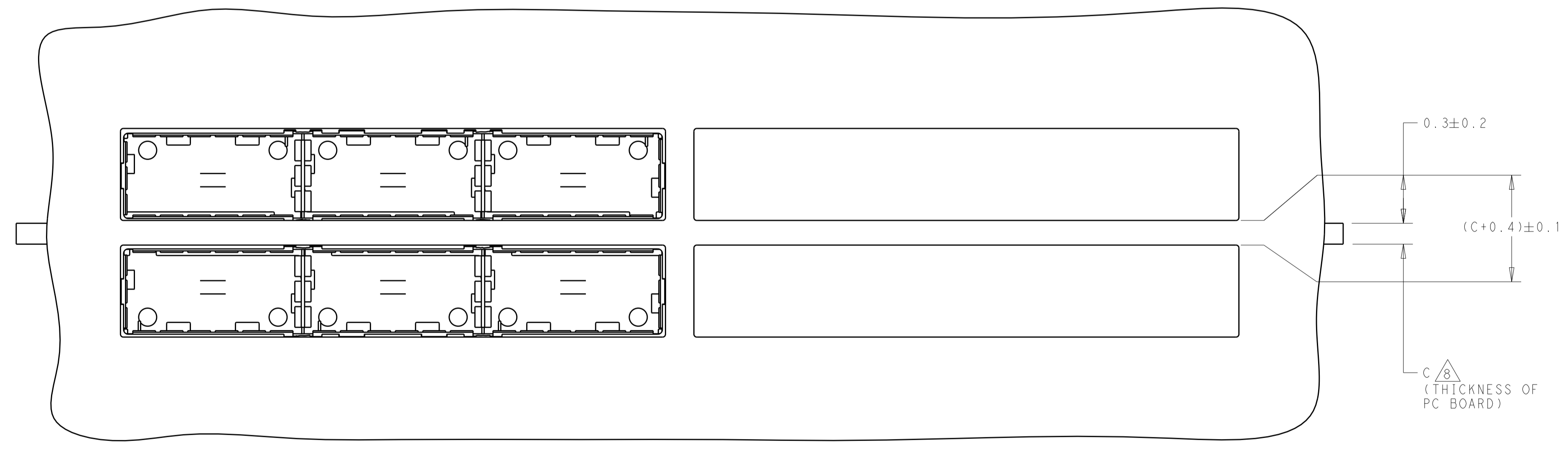
LOC	DIST	REV	DATE	BY	APPV
GP	00				

REVISIONS			
REV	DATE	DESCRIPTION	BY
-	-	SEE SHEET 1	-



ONE SIDED CONFIGURATION  
 SCALE 3:1



BELLY TO BELLY CONFIGURATION SIMILAR  
 TO ONE SIDED EXCEPT WHERE NOTED  
 SCALE 3:1

THIS DRAWING IS A CONTROLLED DOCUMENT. DIMENSIONING AND TOLERANCING PER ASME Y14.5M-2009		DWN: J.V.D. HEIJDEN 12AUG2011 CHK: R. VERBEEK 12AUG2011 APVD: T.D. ROER 15AUG2011	TE Connectivity	
DIMENSIONS: mm 	TOLERANCES UNLESS OTHERWISE SPECIFIED: 0 PLC ± 1 PLC ±0.1 2 PLC ±0.1 3 PLC ±0.013 4 PLC ±0.0001 ANGLES ± FINISH	NAME: 1X3 CAGE ASSEMBLY, BEHIND BEZEL, ZQSFP+ PRODUCT SPEC: 108- APPLICATION SPEC: 114- WEIGHT: - CUSTOMER DRAWING		SIZE: CAGE CODE DRAWING NO: A100779C=2173238 RESTRICTED TO: -
MATERIAL:		SCALE: 3:1	SHEET 2 OF 4	REV: A

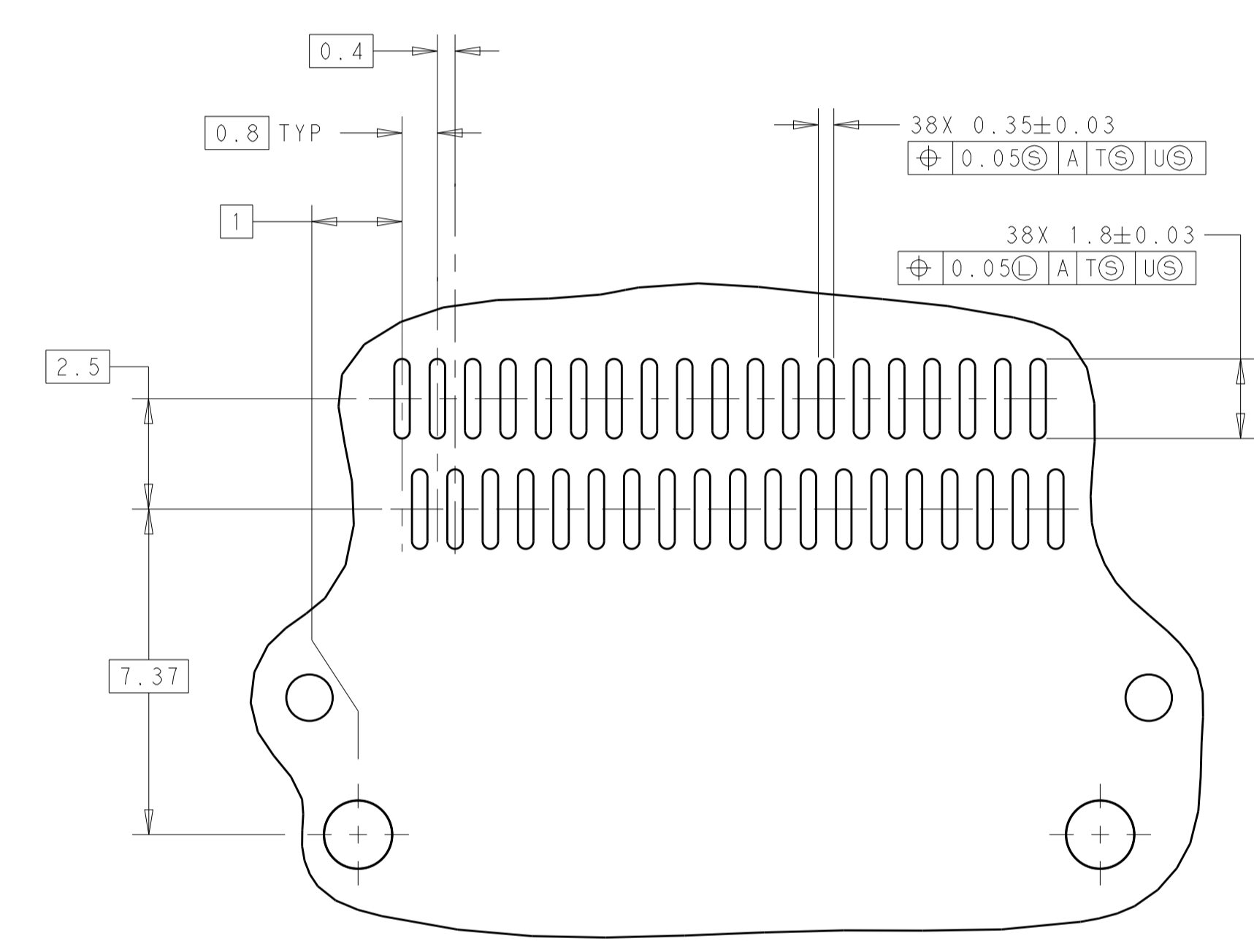
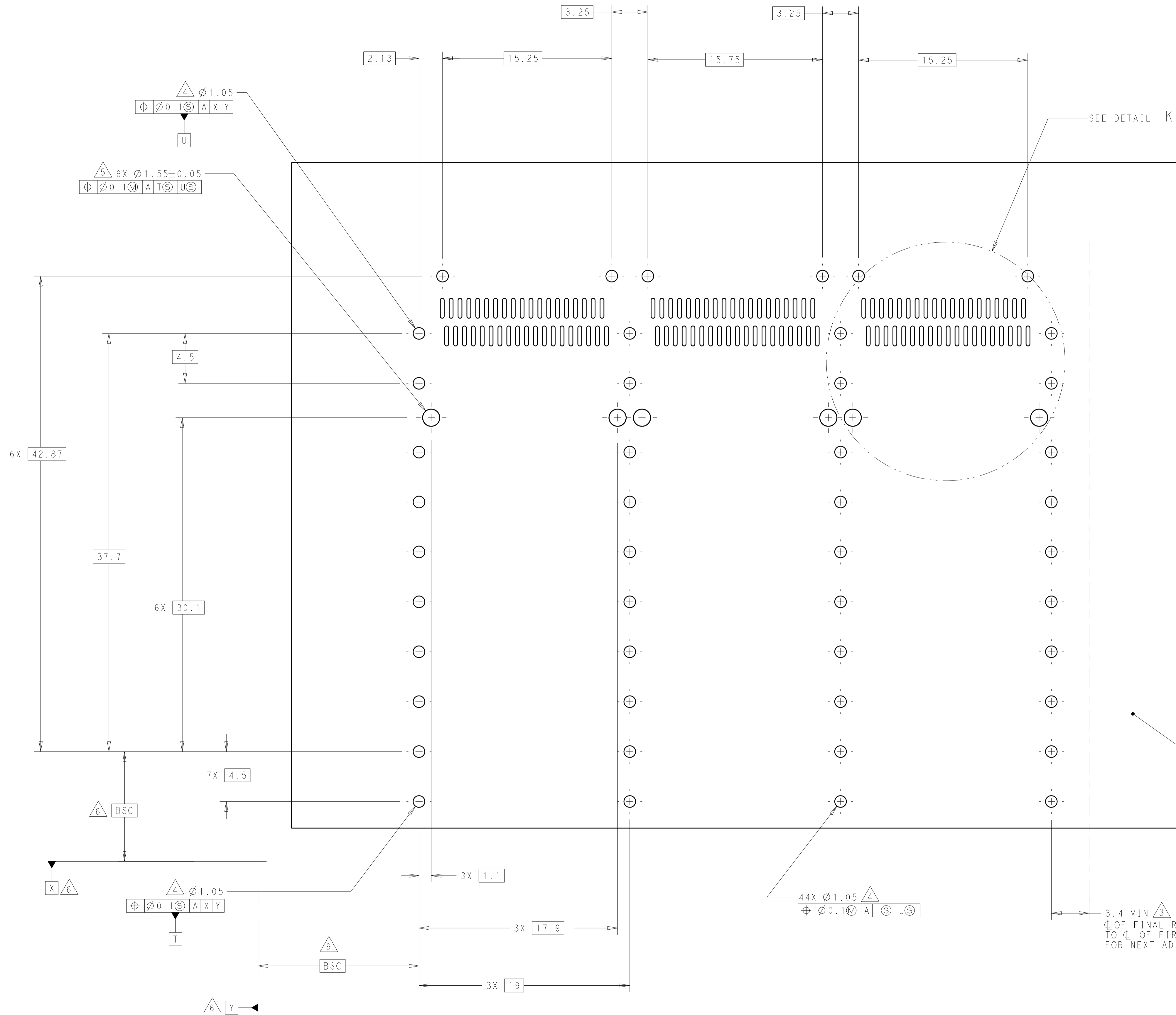




LOC	DIST	REV	DATE	BY	APPV
GP	00				

REVISIONS					
REV	DATE	DESCRIPTION	BY	APPV	DATE
-	-	SEE SHEET 1	-	-	-



DETAIL K  
 3 PLACES  
 SCALE 8:1

RECOMMENDED PC BOARD LAYOUT  
 BELLY TO BELLY CONFIGURATION  
 SCALE 5:1

THIS DRAWING IS A CONTROLLED DOCUMENT. DIMENSIONING AND TOLERANCING PER ASME Y14.5M-2009.		DWN: J.V.D. HEIJDEN 12AUG2011 CHK: R. VERBEEF 12AUG2011 APVD: T.D. ROER 15AUG2011	TE Connectivity NAME: 1X3 CAGE ASSEMBLY, BEHIND BEZEL, ZQSFP+
DIMENSIONS: mm TOLERANCES UNLESS OTHERWISE SPECIFIED: 0 PLC ± 1 PLC ±0.1 2 PLC ±0.1 3 PLC ±0.013 4 PLC ±0.0001 ANGLES ±	PRODUCT SPEC: 108- APPLICATION SPEC: 114- WEIGHT: - CUSTOMER DRAWING	SIZE: A1 CAGE CODE: 00779 DRAWING NO: C=2173238 SCALE: 3:1 SHEET: 4 OF 4 REV: A	