



Chipsmall Limited consists of a professional team with an average of over 10 year of expertise in the distribution of electronic components. Based in Hongkong, we have already established firm and mutual-benefit business relationships with customers from,Europe,America and south Asia,supplying obsolete and hard-to-find components to meet their specific needs.

With the principle of “Quality Parts,Customers Priority,Honest Operation,and Considerate Service”,our business mainly focus on the distribution of electronic components. Line cards we deal with include Microchip,ALPS,ROHM,Xilinx,Pulse,ON,Everlight and Freescale. Main products comprise IC,Modules,Potentiometer,IC Socket,Relay,Connector.Our parts cover such applications as commercial,industrial, and automotives areas.

We are looking forward to setting up business relationship with you and hope to provide you with the best service and solution. Let us make a better world for our industry!



## Contact us

Tel: +86-755-8981 8866 Fax: +86-755-8427 6832

Email & Skype: info@chipsmall.com Web: www.chipsmall.com

Address: A1208, Overseas Decoration Building, #122 Zhenhua RD., Futian, Shenzhen, China



THIS DRAWING IS UNPUBLISHED. RELEASED FOR PUBLICATION  
 © COPYRIGHT - BY TYCO ELECTRONICS CORPORATION. ALL RIGHTS RESERVED.

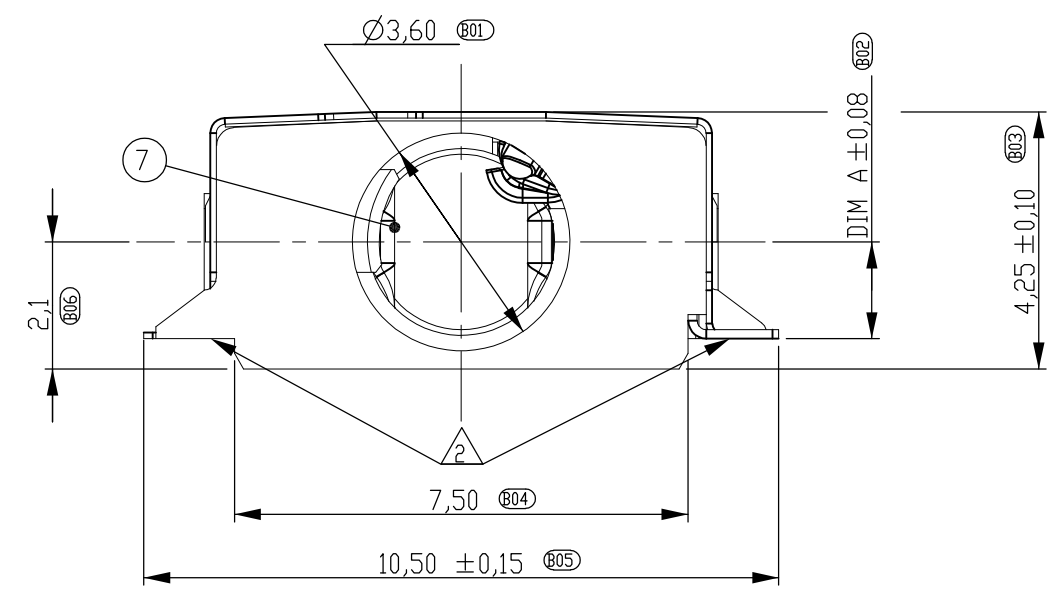
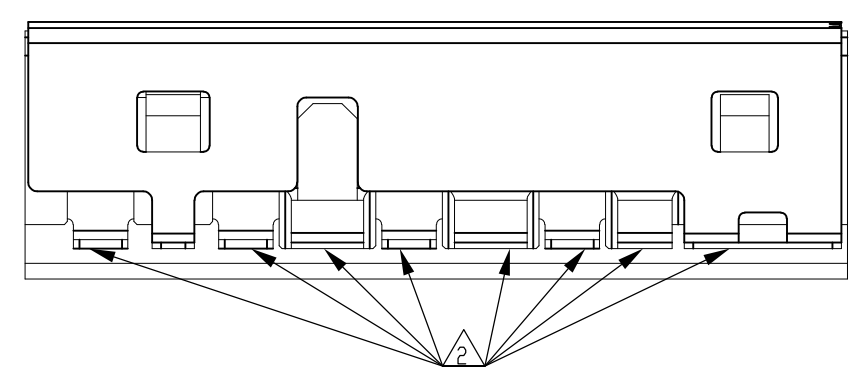
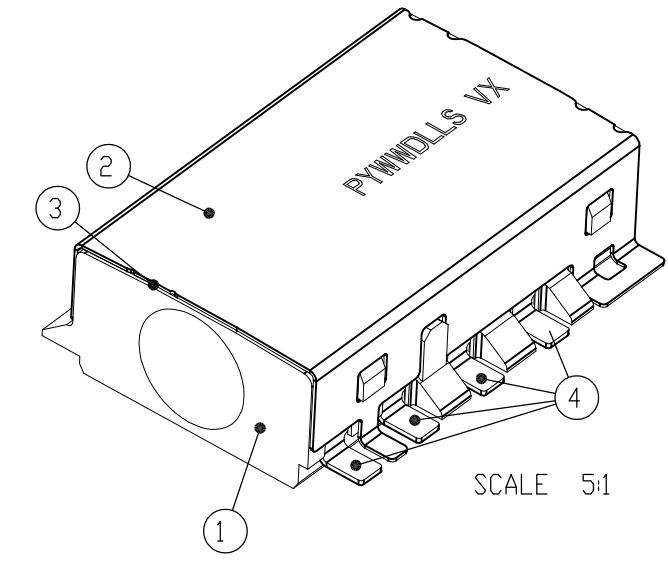
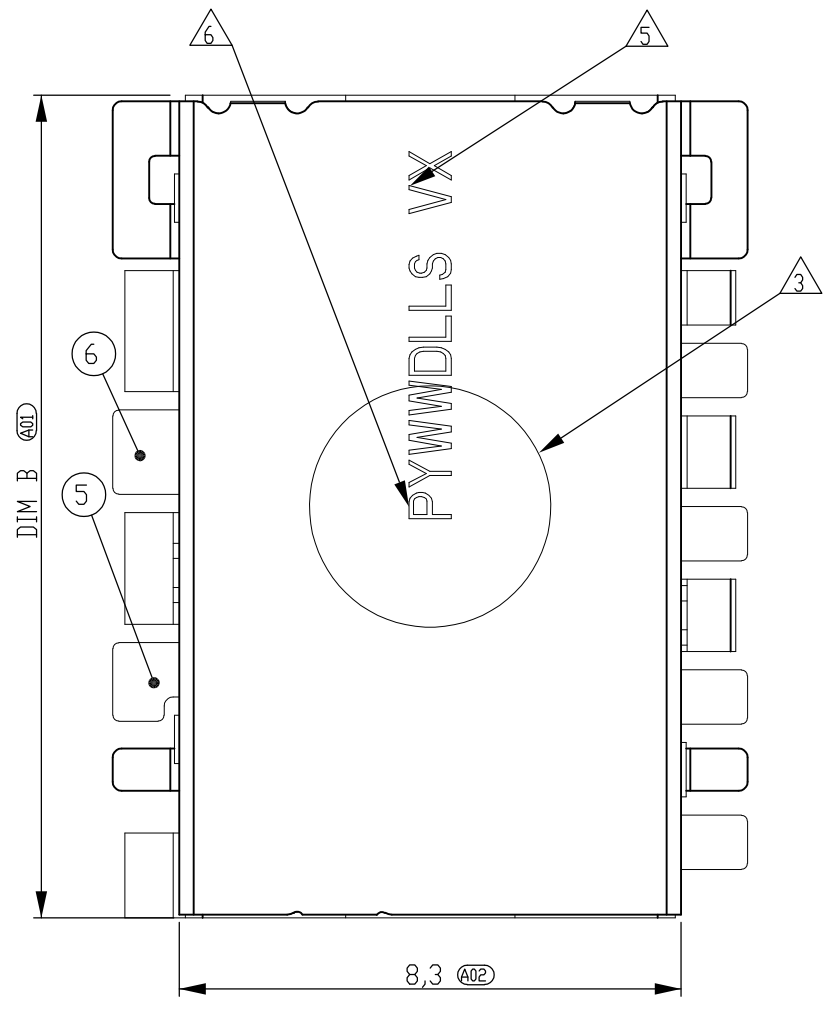
LOC H DIST -

REVISIONS				
P	LTR	DESCRIPTION	DATE	APVD
	A	REVISED<ECR-16-002837>	28JUN2016	A.X H.W

PRELIMINARY PART  
 NOT RELEASED FOR PRODUCTION  
 THIS PRODUCT HAS NOT COMPLETED  
 VALIDATION TESTING

NOTES:

- 1 PART NUMBER 2173377-6 AS SHOWN.
- △ COPLANARITY OF SOLDER SURFACES AND HOUSING NOTCHES 0,08 MAX.
- △ PICK AND PLACE AREA.
- 4 PLATING:  
 UNDER LAYER: 1,2 µm MIN. NICKEL  
 CONTACT AREA: 0,1 µm MIN. GOLD  
 SOLDER AREA: FLASH GOLD or 2,0 µm MIN. TIN.
- △ VERSION CODE.
- △ MARKING: P=PRODUCTION LOCATION, Y=YEAR, WW=WEEK, D=DAY, LL=PRODUCTION LINE, S=SHIFT.
- △ PACKAGING IN EIA 481-D; 850 PRODUCTS PER REEL  
 REEL DIMENSION: 380 DIA.



OBSOLETE

PART NUMBER	DIM A	DIM B	REMARK
2173377-8	1,40		MIDMOUNT CONNECTOR
2173377-7	1,50		MIDMOUNT CONNECTOR
2173377-6	1,60	13,6	MIDMOUNT CONNECTOR
2173377-5	1,70		MIDMOUNT CONNECTOR
2173377-4	1,80		MIDMOUNT CONNECTOR
2173377-3	1,90		MIDMOUNT CONNECTOR
2173377-2	2,00		MIDMOUNT CONNECTOR
2173377-1	2,15	13,6	TOP MOUNT CONNECTOR

DIM "B" 13,6 MIN - 14,5 MAX

ITEM NO.	DESCRIPTION	MATERIAL	FINISH
7	EXTRACTION SPRING	STAINLESS STEEL	-
6	SWITCH CONTACT	CU ALLOY	NOTE 4
5	PLUG DETECTION CONTACT	CU ALLOY	NOTE 4
4	AV SIGNAL CONTACT	CU ALLOY	NOTE 4
3	FOAM TAPE	MULTI LAYER	-
2	SHIELD	STAINLESS STEEL	NOTE 4
1	HOUSING	PA	-

THIS DRAWING IS A CONTROLLED DOCUMENT.		DWN J. Hoek 12 DEC 2011
DIMENSIONS: mm		CHK S. Zwartkruis 12 DEC 2011
TOLERANCES UNLESS OTHERWISE SPECIFIED:		APVD D. Haberstadt 12 DEC 2011
0 PLC	±0,20	PRODUCT SPEC 108-19439
1 PLC	±0,10	APPLICATION SPEC -
2 PLC	±0,05	WEIGHT 0,65 g
3 PLC	±-	CUSTOMER DRAWING
4 PLC	±-	SCALE 8:1
ANGLES	±2	SHEET 1 OF 2
MATERIAL -	FINISH -	REV A

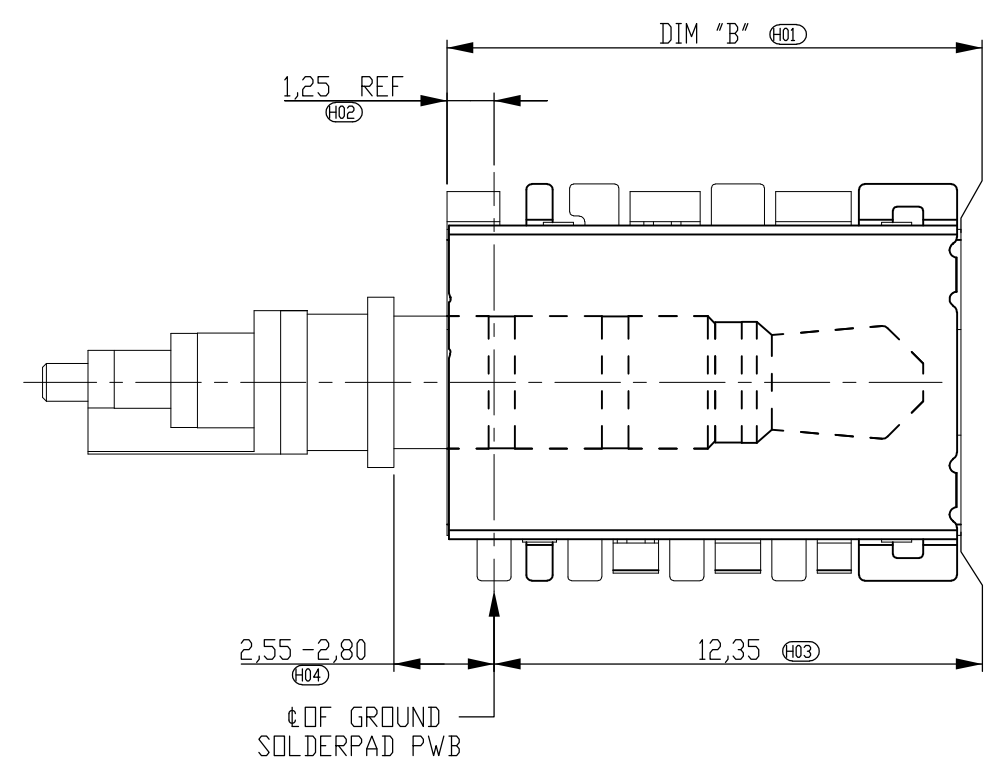
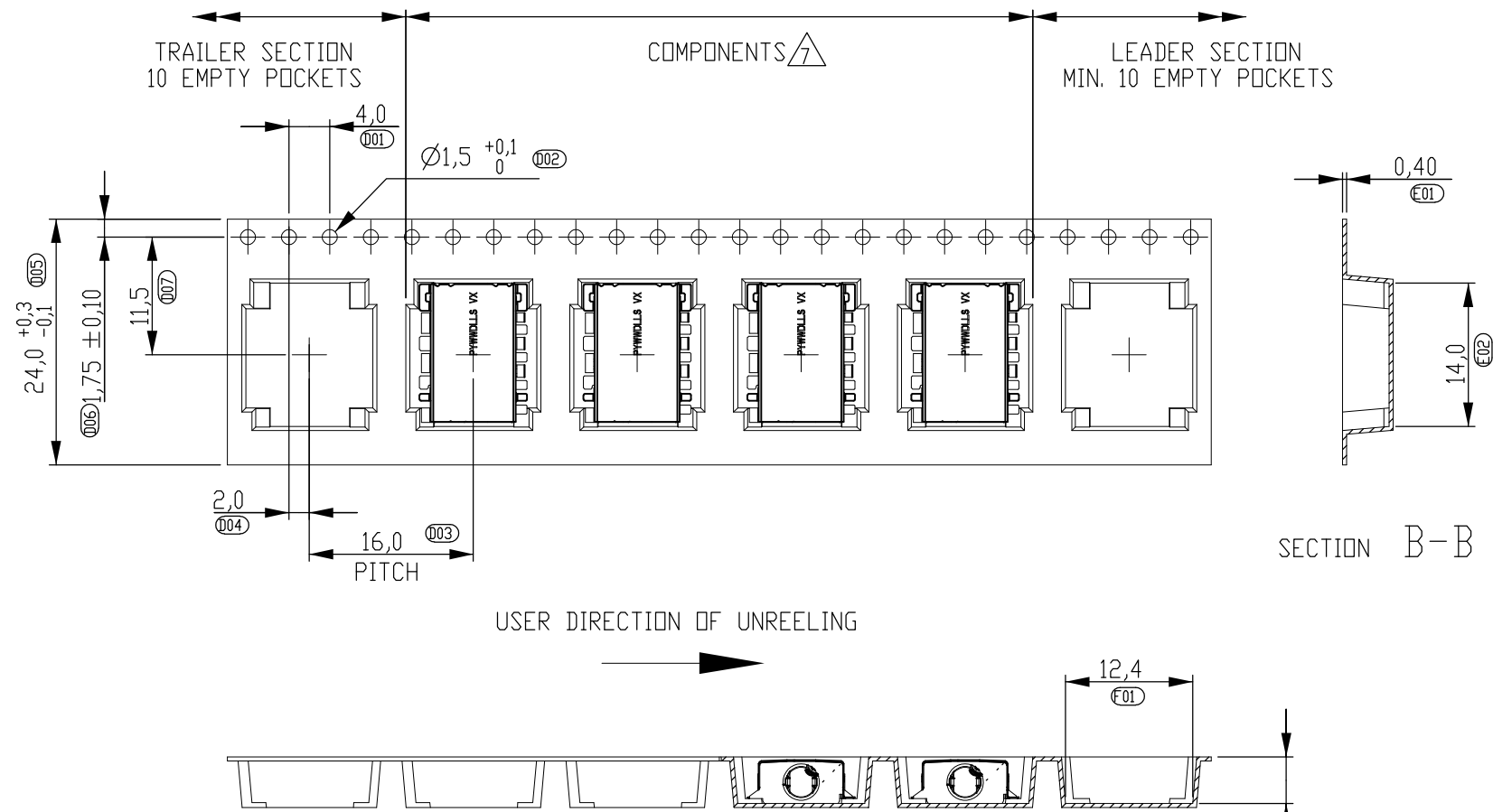
**TE** TE Connectivity

NAME 3.5 mm AV SMD SPLASH PROOF SCALABLE HEIGHT

SIZE A3 CAGE CODE 00779 DRAWING NO C-2173377 RESTRICTED TO -

THIS DRAWING IS UNPUBLISHED. RELEASED FOR PUBLICATION  
 © COPYRIGHT - BY TYCO ELECTRONICS CORPORATION. ALL RIGHTS RESERVED.

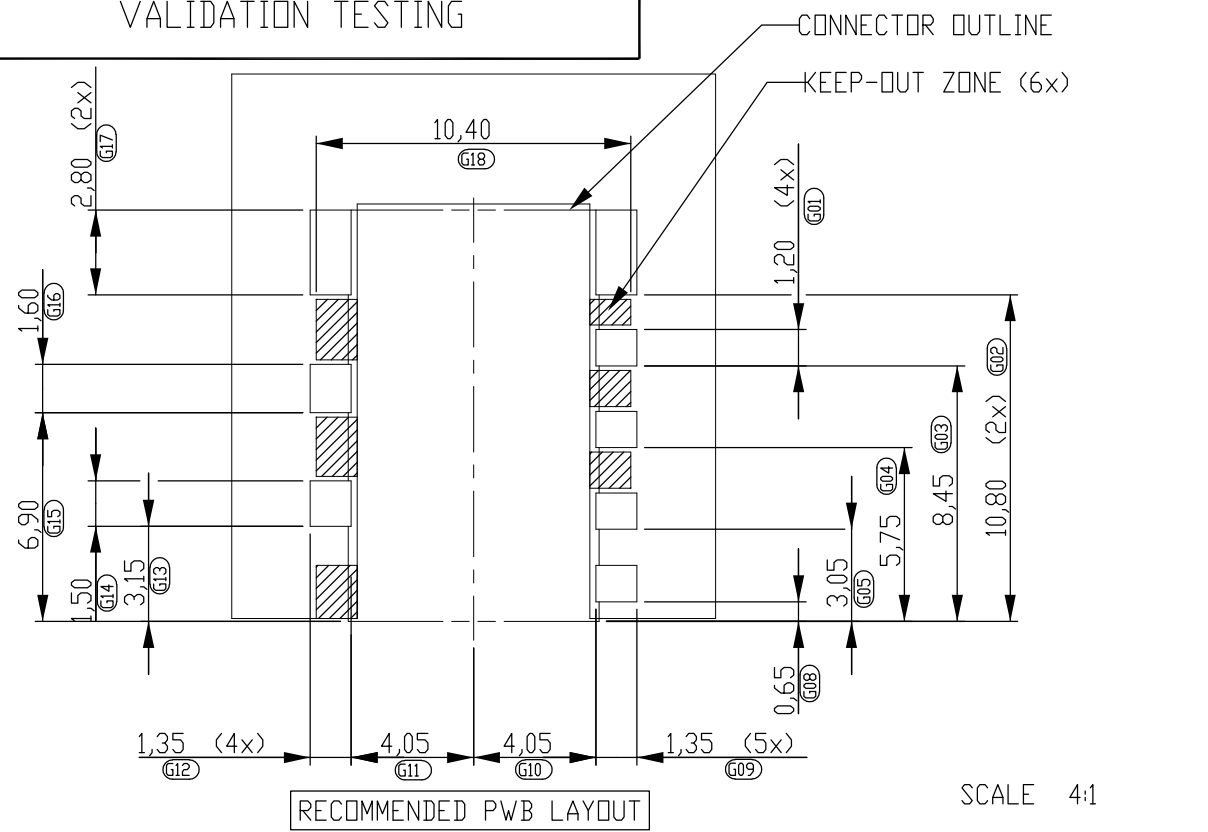
LOC	DIST	REVISIONS					
H	-	P	LTR	DESCRIPTION	DATE	DWN	APVD
		-	-	SEE SHEET 1	-	-	-



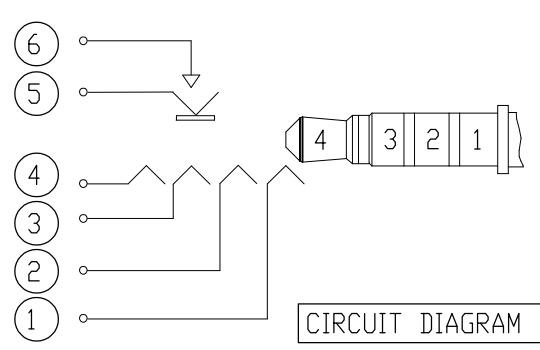
PRELIMINARY PART  
 NOT RELEASED FOR PRODUCTION  
 THIS PRODUCT HAS NOT COMPLETED  
 VALIDATION TESTING

SCALE 3:2 SECTION A-A

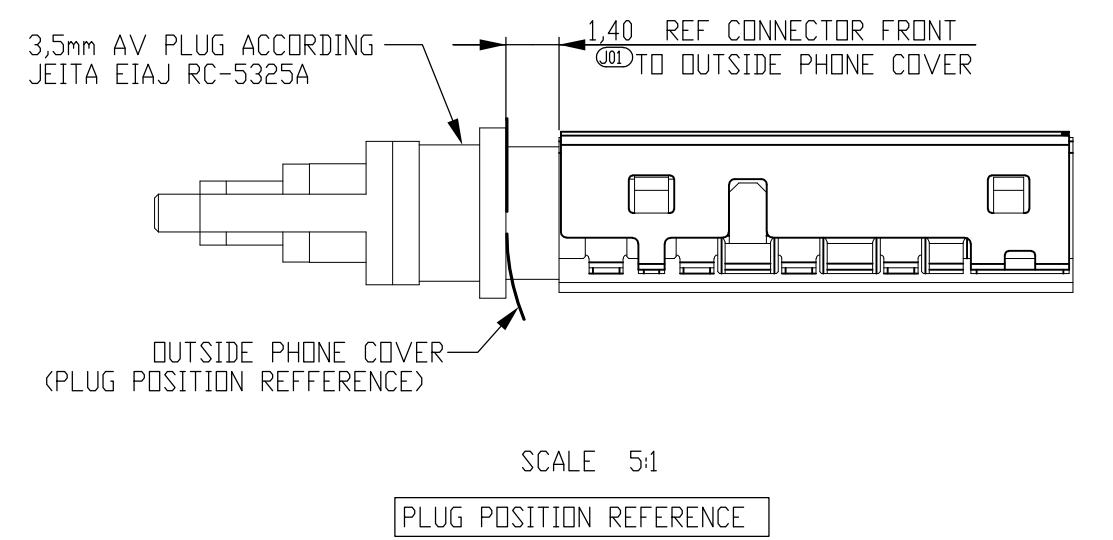
PACKAGING



SCALE 4:1



CIRCUIT DIAGRAM



SCALE 5:1 PLUG POSITION REFERENCE

THIS DRAWING IS A CONTROLLED DOCUMENT.

DIMENSIONS:	TOLERANCES UNLESS OTHERWISE SPECIFIED:
mm	
0 PLC	±0,20
1 PLC	±0,10
2 PLC	±0,05
3 PLC	±
4 PLC	±
ANGLES	±2
MATERIAL	FINISH
-	-

DWN	12 DEC 2011
J. Hoek	
CHK	12 DEC 2011
S. Zwartkruis	
APVD	12 DEC 2011
D. Haberstadt	
PRODUCT SPEC	
APPLICATION SPEC	
WEIGHT	
RESTRICTED CUSTOMER	

		NAME	
		3.5 mm AV SMD MIDMOUNT SCALABLE HEIGHT	
SIZE	CAGE CODE	DRAWING NO	RESTRICTED TO
A3	00779	C--	NOK
SCALE	SHEET	OF	REV
5:1	2	2	A