



Chipsmall Limited consists of a professional team with an average of over 10 year of expertise in the distribution of electronic components. Based in Hongkong, we have already established firm and mutual-benefit business relationships with customers from,Europe,America and south Asia,supplying obsolete and hard-to-find components to meet their specific needs.

With the principle of “Quality Parts,Customers Priority,Honest Operation,and Considerate Service”,our business mainly focus on the distribution of electronic components. Line cards we deal with include Microchip,ALPS,ROHM,Xilinx,Pulse,ON,Everlight and Freescale. Main products comprise IC,Modules,Potentiometer,IC Socket,Relay,Connector.Our parts cover such applications as commercial,industrial, and automotives areas.

We are looking forward to setting up business relationship with you and hope to provide you with the best service and solution. Let us make a better world for our industry!



## Contact us

Tel: +86-755-8981 8866 Fax: +86-755-8427 6832

Email & Skype: info@chipsmall.com Web: www.chipsmall.com

Address: A1208, Overseas Decoration Building, #122 Zhenhua RD., Futian, Shenzhen, China



4

3

2

1

THIS DRAWING IS UNPUBLISHED.

RELEASED FOR PUBLICATION

© COPYRIGHT - BY TYCO ELECTRONICS CORPORATION. ALL RIGHTS RESERVED.

LOC	DIST	REVISIONS					
		P	LTR	DESCRIPTION	DATE	DWN	APVD
H	-		A	RELEASE FOR PRODUCTION	25OCT2012	NJ	OL

NOTES:

1. MATERIALS:

- HOUSING: PBT GF30%, COLOR: NATURAL.
- CONTACT: COPPER ALLOY.

2. FOR SOLID AND STRANDED WIRE AWG 22 USE, UL 1007.  
FOR SOLID WIRE AWG 24 USE, UL 1007.

3. COMPLIES WITH DIRECTIVE 2002/95/EC (ROHS).

5. SCREW TO BE USED: M3 x 6(min.)

Top view of the connector housing. Dimensions include a height of 11,50 and a diameter of  $\varnothing 6,2$ . A label 'STE' is visible on the housing. An arrow indicates the 'WIRE INSERTION DIRECTION'.

Left side view of the connector housing. Dimensions include a total width of 11,50, a contact width of 3,50, a contact offset of 5,79, a contact height of 0,47, a contact thickness of 1,05, and a housing depth of 4,50. A radius of R0,75 is indicated.

Front view of the connector housing. Dimensions include a total width of 14,28, a contact width of 4,95, a contact height of 3,00 (2x), and a contact offset of 2,45.

Bottom view of the connector housing. Dimensions include a total width of 10,50, a contact width of 8,00, a contact height of 5,00, a contact offset of 2,04, a contact thickness of 2,78, a contact diameter of  $\varnothing 2,00$ , a housing depth of 1,63, and a housing width of 2,35. The text '24/22 AWG' and '2173470-1' is visible.

Right side view of the connector housing. A diameter of  $\varnothing 1,85$  is indicated.

Isometric view of the connector housing. The text 'STE' and '24/22 AWG' is visible on the housing. The scale is 4:1.

Exploded view showing the 'HOUSING' and 'CONTACT' components. The contact is a copper alloy pin.

THIS DRAWING IS A CONTROLLED DOCUMENT.

DWN P. POORTER 21FEB2012

CHK N. JONGENS 09MAR2012

APVD O. LEIJNSE 09MAR2012

PRODUCT SPEC

APPLICATION SPEC

WEIGHT -

Customer Drawing

DIMENSIONS:

mm

TOLERANCES UNLESS OTHERWISE SPECIFIED:

0 PLC	±-
1 PLC	±-
2 PLC	±-
3 PLC	±-
4 PLC	±-
ANGLES	±-
FINISH	-

MATERIAL SEE NOTES

NAME

TE Connectivity

POKE-IN CONNECTOR  
Type Luxeon K

SIZE

CAGE CODE

DRAWING NO

RESTRICTED TO

A3

00779

C-2173470

-

SCALE 5:1

SHEET

1

OF

2

REV

A

2173470-1  
PARTNUMBER

SCALE 4:1

1470-19 (3/11)

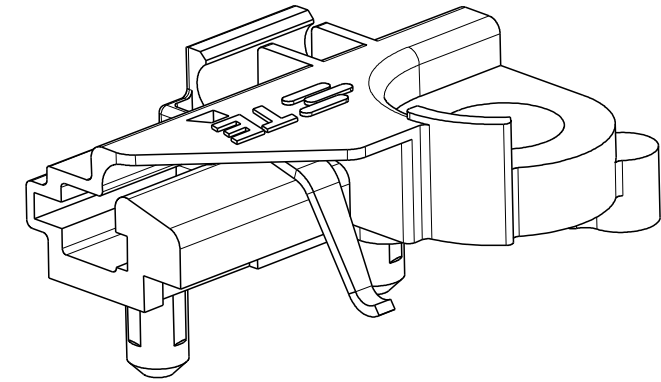
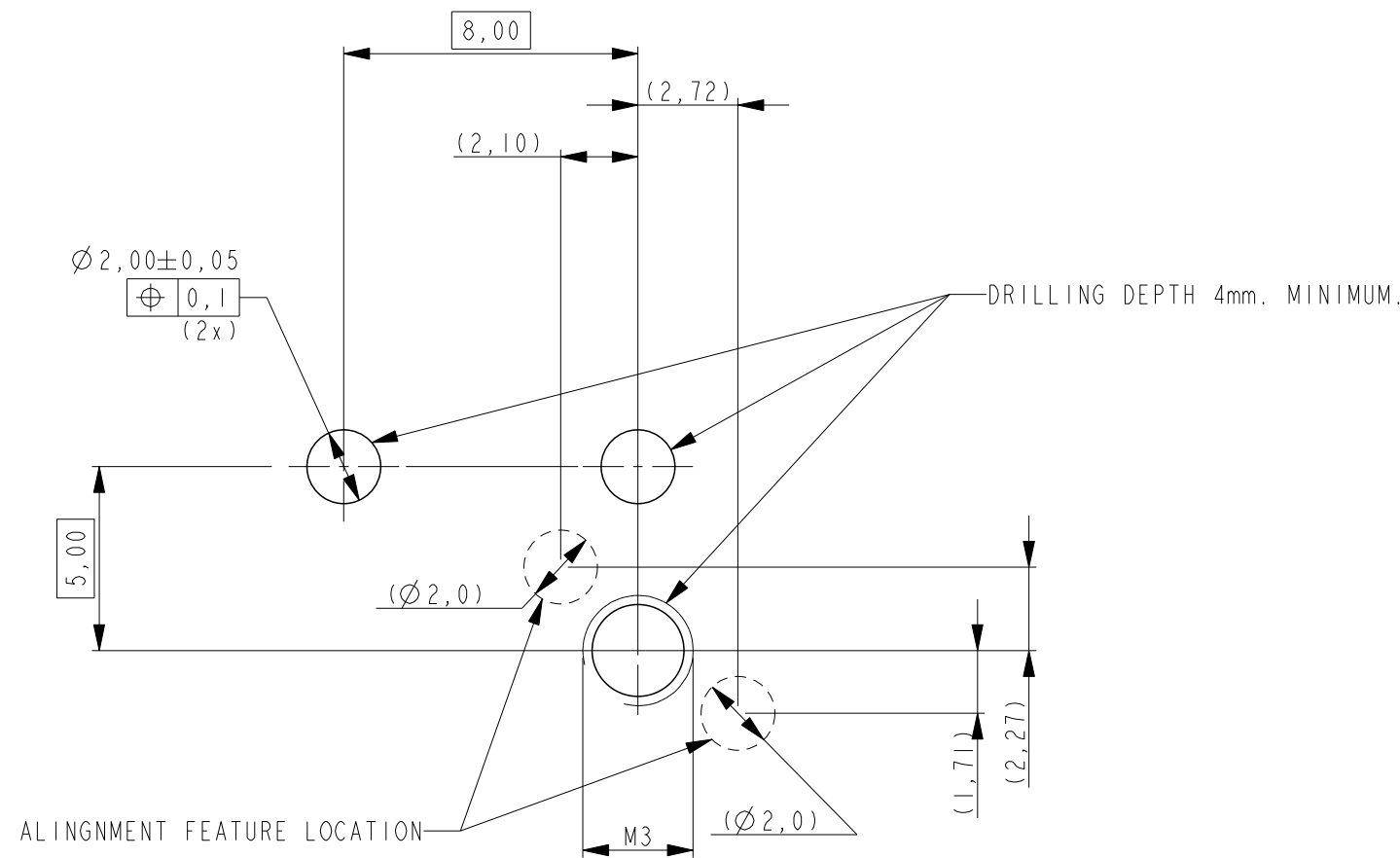
THIS DRAWING IS UNPUBLISHED.


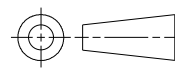
RELEASED FOR PUBLICATION

© COPYRIGHT - BY TYCO ELECTRONICS CORPORATION. ALL RIGHTS RESERVED.

LOC	DIST	REVISIONS					
		P	LTR	DESCRIPTION	DATE	DWN	APVD
H	-	-	-	SEE SHEET 1	-	-	-

# RECOMMENDED DRILLING HOLE PATTERN:



THIS DRAWING IS A CONTROLLED DOCUMENT.		DWN	21FEB2012		 TE Connectivity
		CHK	09MAR2012		
		APVD	09MAR2012		
		PRODUCT SPEC	-		
DIMENSIONS: mm		TOLERANCES UNLESS OTHERWISE SPECIFIED:		NAME POKE-IN CONNECTOR Type Luxeon K	
		0 PLC ±-		SIZE	
		1 PLC ±-		CAGE CODE	
		2 PLC ±-		DRAWING NO	
		3 PLC ±-		RESTRICTED TO	
		4 PLC ±-		-	
		ANGLES ±-		-	
MATERIAL SEE NOTES		FINISH -		WEIGHT -	
				A3 00779 C=2173470	
		Customer Drawing		SCALE 5:1 SHEET 2 OF 2 REV A	