



Chipsmall Limited consists of a professional team with an average of over 10 year of expertise in the distribution of electronic components. Based in Hongkong, we have already established firm and mutual-benefit business relationships with customers from,Europe,America and south Asia,supplying obsolete and hard-to-find components to meet their specific needs.

With the principle of "Quality Parts,Customers Priority,Honest Operation,and Considerate Service",our business mainly focus on the distribution of electronic components. Line cards we deal with include Microchip,ALPS,ROHM,Xilinx,Pulse,ON,Everlight and Freescale. Main products comprise IC,Modules,Potentiometer,IC Socket,Relay,Connector.Our parts cover such applications as commercial,industrial, and automotives areas.

We are looking forward to setting up business relationship with you and hope to provide you with the best service and solution. Let us make a better world for our industry!



## Contact us

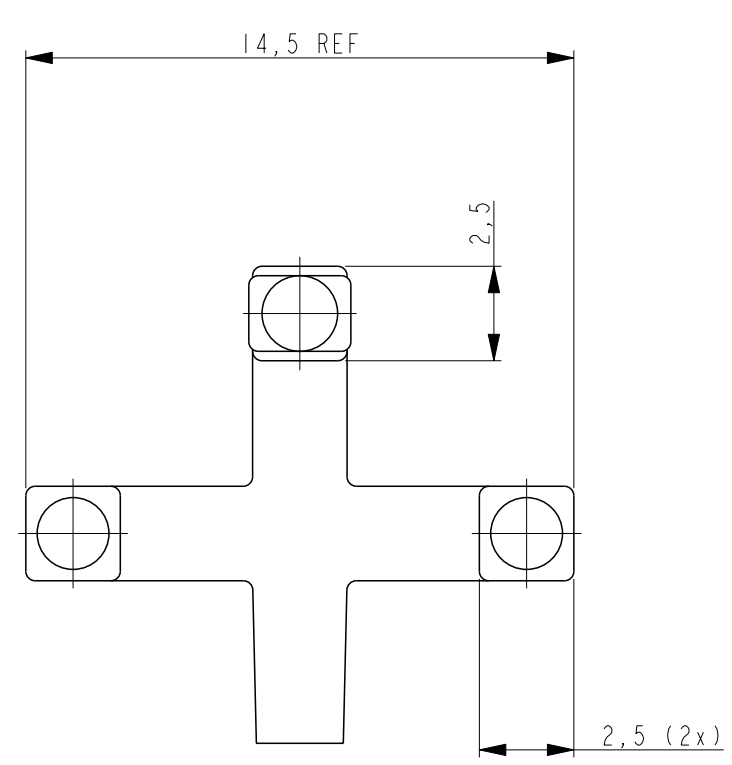
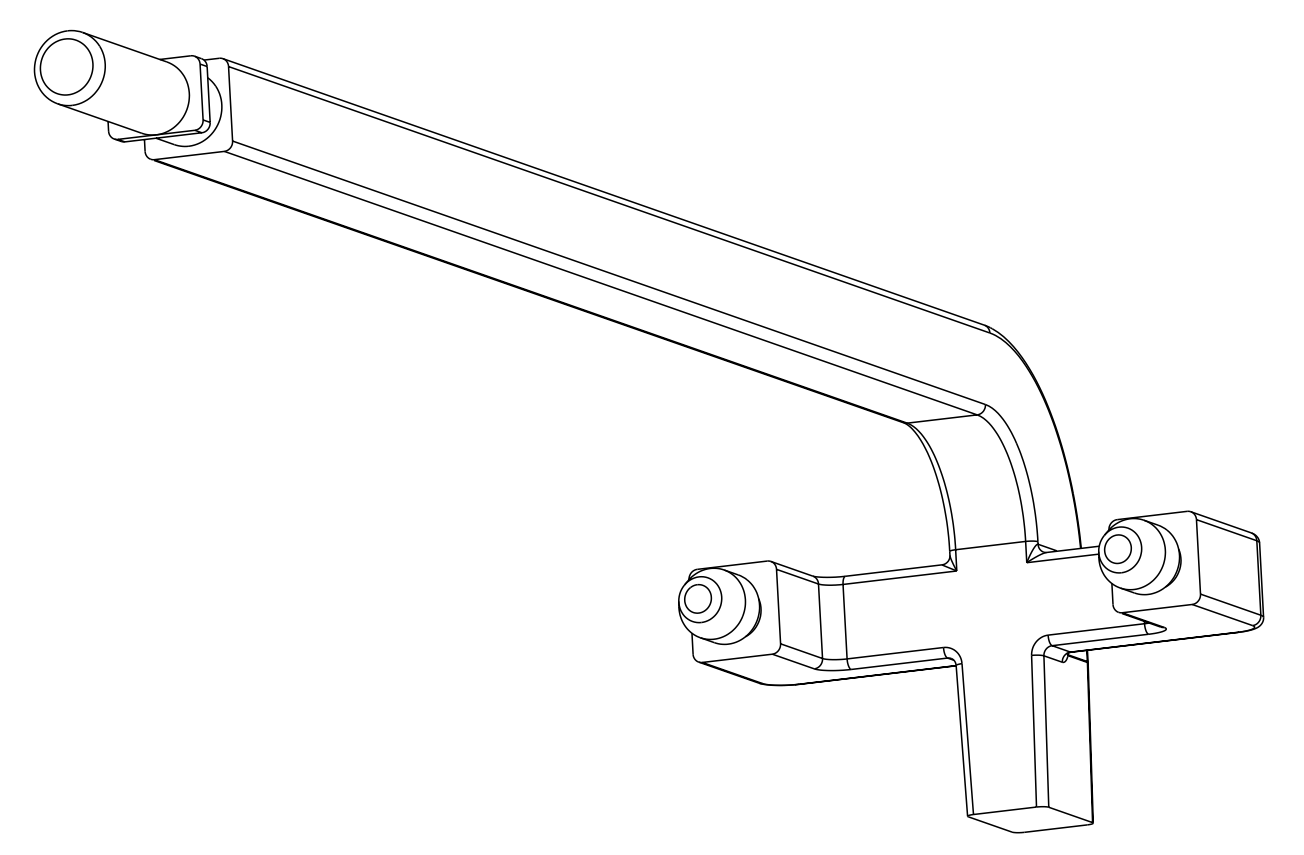
Tel: +86-755-8981 8866 Fax: +86-755-8427 6832

Email & Skype: info@chipsmall.com Web: www.chipsmall.com

Address: A1208, Overseas Decoration Building, #122 Zhenhua RD., Futian, Shenzhen, China



LOC	DIST	REVISIONS			
P	LTB	DESCRIPTION	DATE	DWN	APVD
I		INITIAL DRAWING	08MAR2012	JvdH	TdB



NOTE:  
 MATERIAL: POLYCARBONATE, CLEAR



**PRELIMINARY PART  
 NOT RELEASED FOR PRODUCTION**  
**THIS PRODUCT HAS NOT COMPLETED  
 VALIDATION TESTING**

2173481-1  
 PART  
 NUMBER

THIS DRAWING IS A CONTROLLED DOCUMENT.		DWN: J.V.D.HELJEDEN 07 MAR 2012	TE Connectivity
DIMENSIONS: mm		CHK: B.MOOIJ 07 MAR 2012	
TOLERANCES UNLESS OTHERWISE SPECIFIED:		APVD: T.D.ROER 08 MAR 2012	NAME: LIGHTPIPE, SINGLE, BEHIND BEZEL, ZOSFP+
0 PLC ±0.5 1 PLC ±0.25 2 PLC ±0.1 3 PLC ± 4 PLC ± ANGLES ± FINISH -		PRODUCT SPEC	
MATERIAL: -		APPLICATION SPEC	RESTRICTED TO
CUSTOMER DRAWING		SIZE: 114-32021 CAGE CODE: A100779 DRAWING NO: C=2173481	SCALE: 8:1
		WEIGHT: -	SHEET 1 OF 1
			REV 1