



Chipsmall Limited consists of a professional team with an average of over 10 year of expertise in the distribution of electronic components. Based in Hongkong, we have already established firm and mutual-benefit business relationships with customers from,Europe,America and south Asia,supplying obsolete and hard-to-find components to meet their specific needs.

With the principle of "Quality Parts,Customers Priority,Honest Operation,and Considerate Service",our business mainly focus on the distribution of electronic components. Line cards we deal with include Microchip,ALPS,ROHM,Xilinx,Pulse,ON,Everlight and Freescale. Main products comprise IC,Modules,Potentiometer,IC Socket,Relay,Connector.Our parts cover such applications as commercial,industrial, and automotives areas.

We are looking forward to setting up business relationship with you and hope to provide you with the best service and solution. Let us make a better world for our industry!



## Contact us

Tel: +86-755-8981 8866 Fax: +86-755-8427 6832

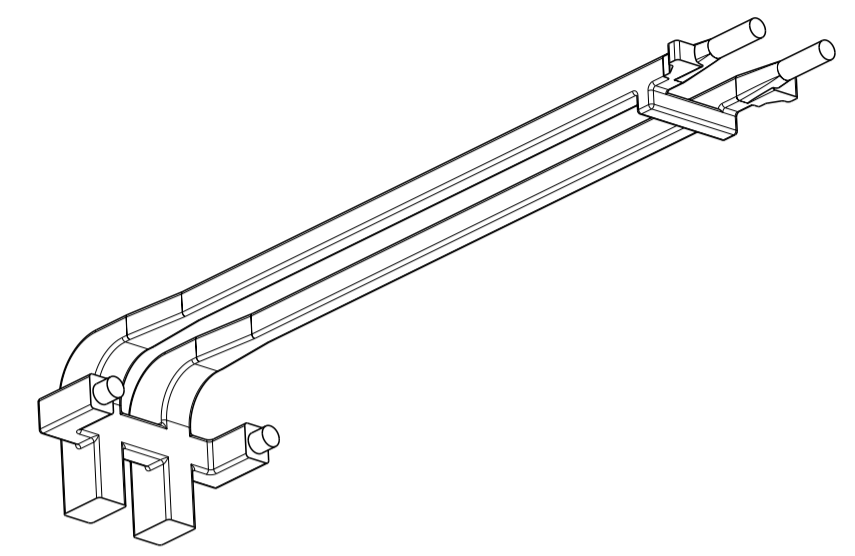
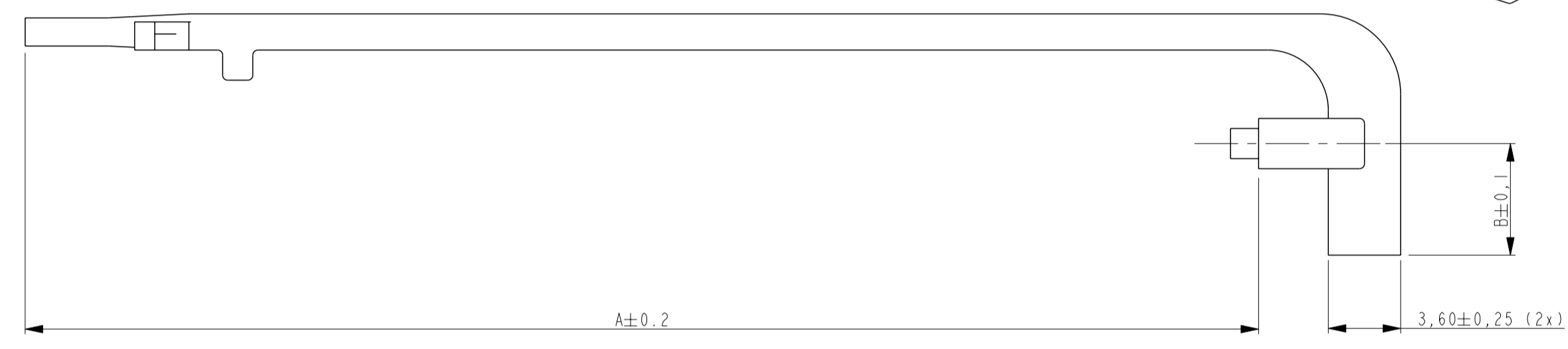
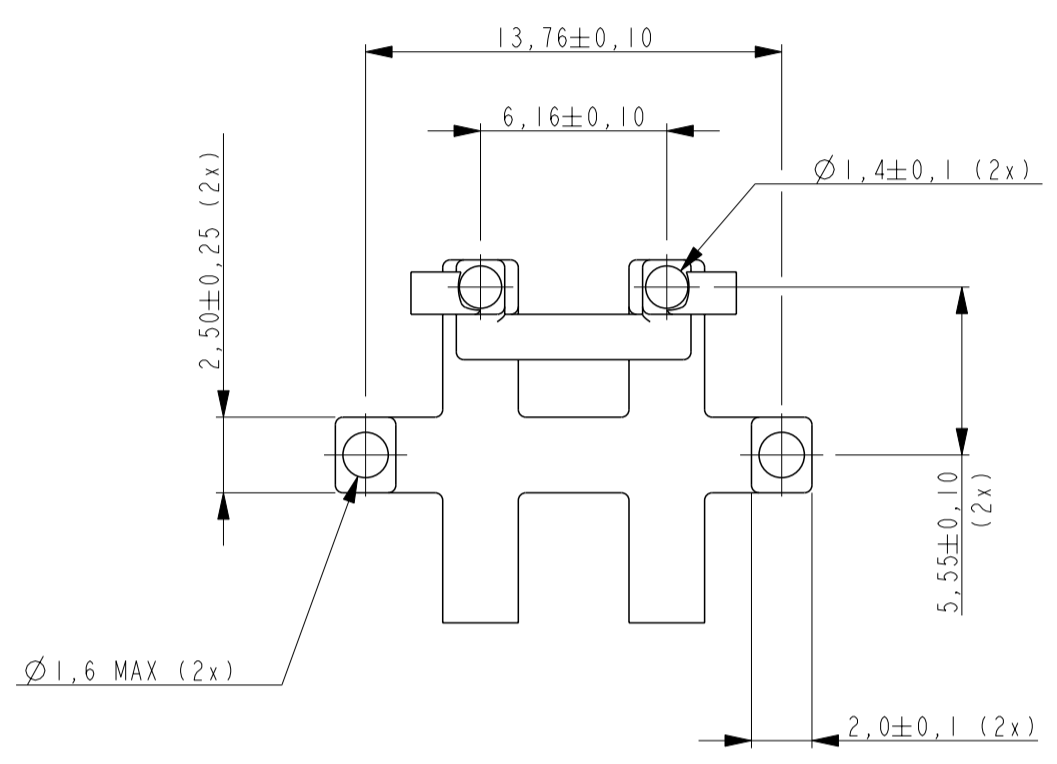
Email & Skype: info@chipsmall.com Web: www.chipsmall.com

Address: A1208, Overseas Decoration Building, #122 Zhenhua RD., Futian, Shenzhen, China

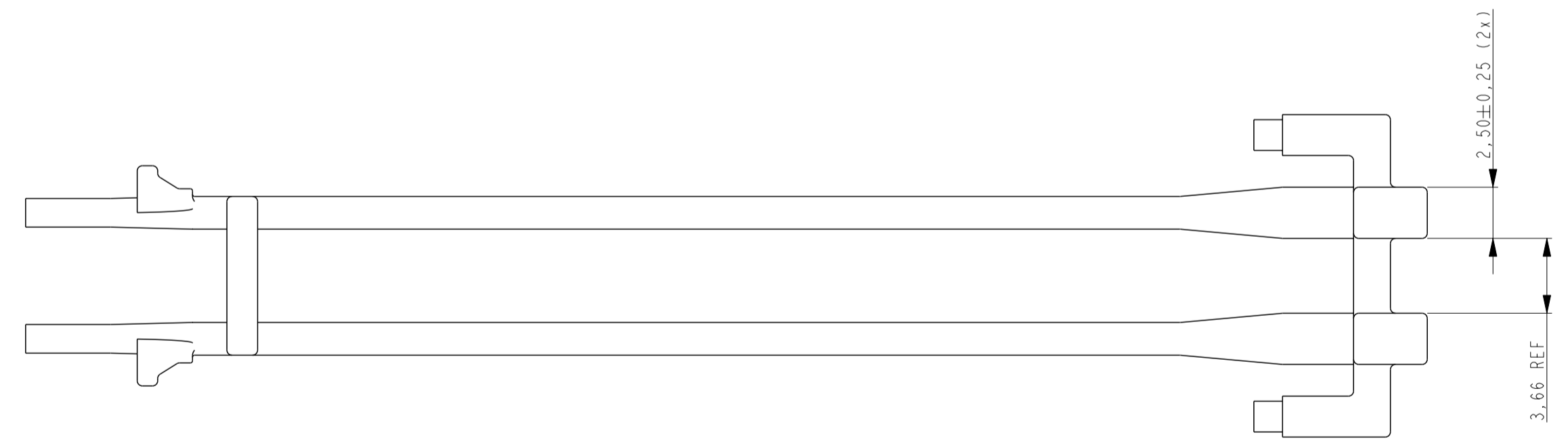


THIS DRAWING IS UNPUBLISHED. RELEASED FOR PUBLICATION 2007  
 © COPYRIGHT - BY TYCO ELECTRONICS CORPORATION. ALL RIGHTS RESERVED.

LOC	DIST	REVISIONS			
P	LTR	DESCRIPTION	DATE	DWN	APVD
H	-	1	INITIAL DRAWING	08MAR2012	JvdH TdB



NOTE:  
 ⚠ MATERIAL: POLYCARBONATE, CLEAR.



6,00	57,69	2173482-7
6,00	58,49	2173482-3
5,55	57,69	2173482-2
5,55	61,39	2173482-1
B	A	PART NUMBER

**PRELIMINARY PART  
 NOT RELEASED FOR PRODUCTION**

**THIS PRODUCT HAS NOT COMPLETED  
 VALIDATION TESTING**

THIS DRAWING IS A CONTROLLED DOCUMENT.

DIMENSIONS:	TOLERANCES UNLESS OTHERWISE SPECIFIED:	DWN	08 MAR 2012	TE Connectivity
mm	0 PLC ±	CHK	08 MAR 2012	
	1 PLC ±0,5	APVD	09 MAR 2012	
	2 PLC ±0,13	PRODUCT SPEC		
	3 PLC ±0,013	APPLICATION SPEC	114-32021	NAME
	4 PLC ±0,0001	WEIGHT	-	LIGHT PIPE, DOUBLE, BEHIND BEZEL, GANGED zQSFP+
MATERIAL	FINISH	CUSTOMER DRAWING		SIZE
				A2
				CAGE CODE
				00779
				DRAWING NO
				C-2173482
				RESTRICTED TO
				-
				SCALE
				4:1
				SHEET
				1
				OF
				1
				REV
				1