



Chipsmall Limited consists of a professional team with an average of over 10 year of expertise in the distribution of electronic components. Based in Hongkong, we have already established firm and mutual-benefit business relationships with customers from,Europe,America and south Asia,supplying obsolete and hard-to-find components to meet their specific needs.

With the principle of “Quality Parts,Customers Priority,Honest Operation,and Considerate Service”,our business mainly focus on the distribution of electronic components. Line cards we deal with include Microchip,ALPS,ROHM,Xilinx,Pulse,ON,Everlight and Freescale. Main products comprise IC,Modules,Potentiometer,IC Socket,Relay,Connector.Our parts cover such applications as commercial,industrial, and automotives areas.

We are looking forward to setting up business relationship with you and hope to provide you with the best service and solution. Let us make a better world for our industry!



Contact us

Tel: +86-755-8981 8866 Fax: +86-755-8427 6832

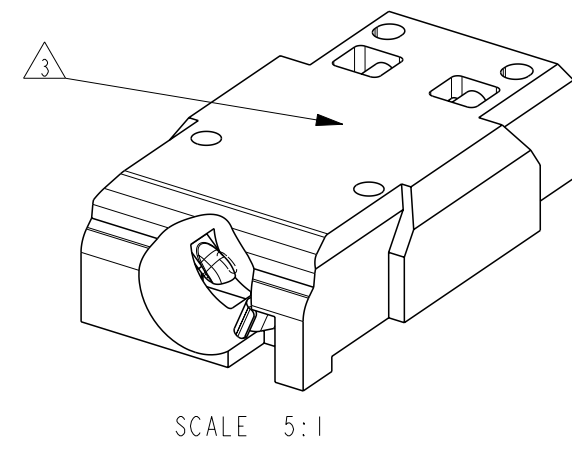
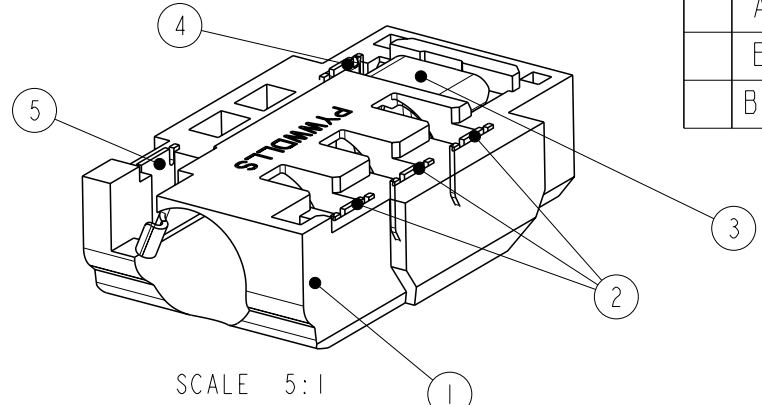
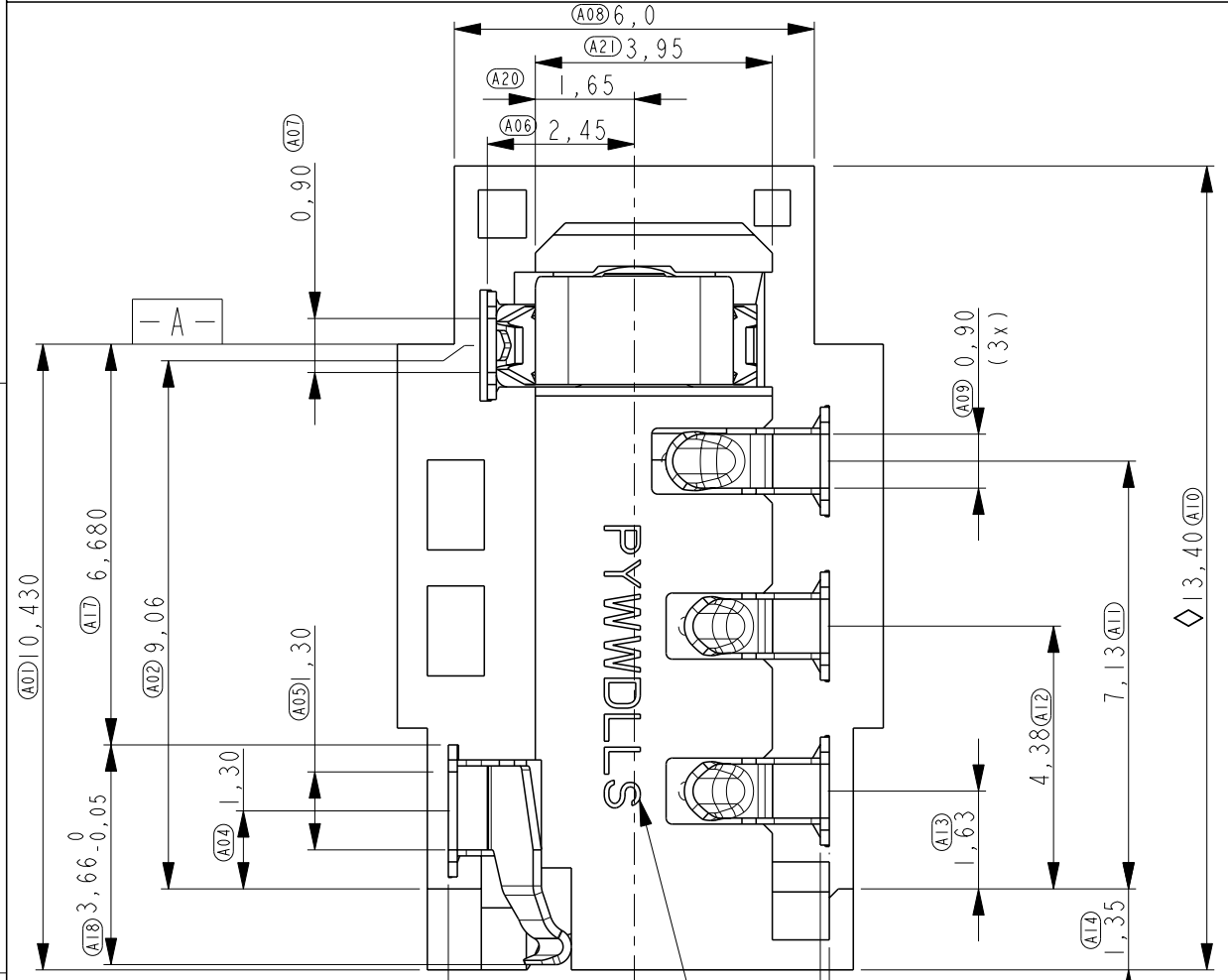
Email & Skype: info@chipsmall.com Web: www.chipsmall.com

Address: A1208, Overseas Decoration Building, #122 Zhenhua RD., Futian, Shenzhen, China



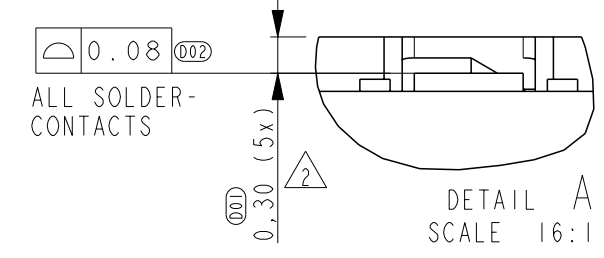
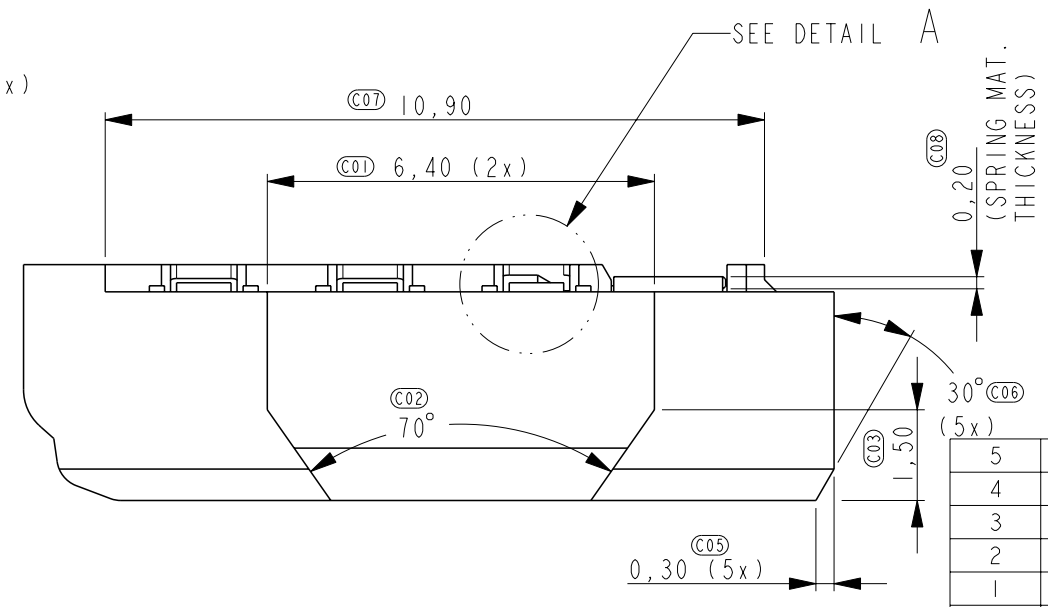
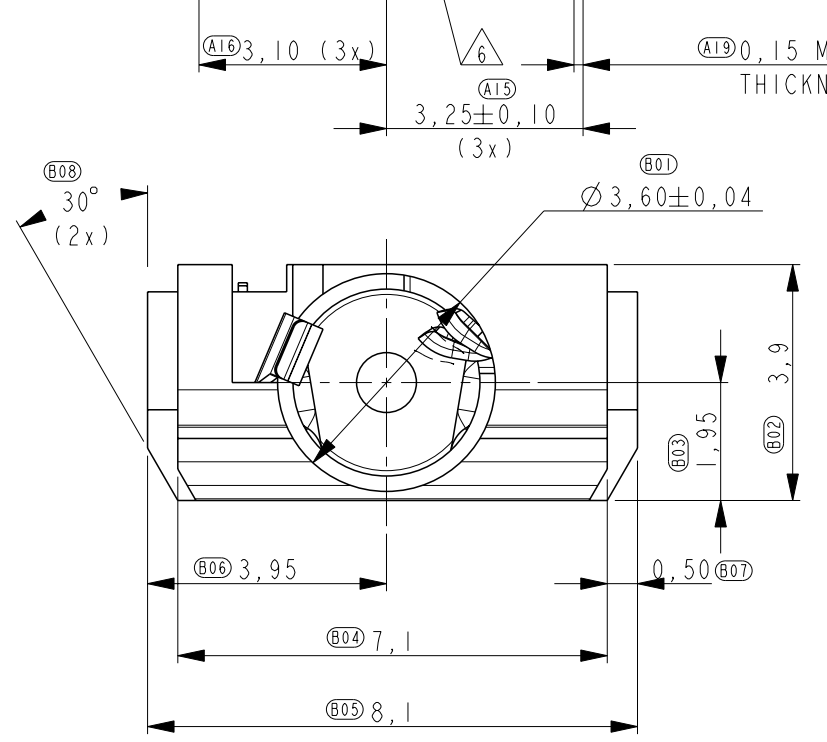
THIS DRAWING IS UNPUBLISHED. RELEASED FOR PUBLICATION
 © COPYRIGHT - BY TYCO ELECTRONICS CORPORATION. ALL RIGHTS RESERVED.

LOC	DIST	REVISIONS			
P	LTR	DESCRIPTION	DATE	DWN	APVD
H	-				
	I	FIRST ISSUE	07FEB2014	MG	MW
	A	ECR-14-008506	03JUL2014	RK	MG
	B	ECR-14-010328	14JUL2014	RK	MG
	BI	ECR-14-011735	13AUG2014	MG	DH



NOTES:

- TE PART NUMBER 2173752-2 AS SHOWN.
- COPLANARITY OF SOLDER SURFACES 0,08 MAX.
- VACUUM PICK AND PLACE AREA. SEE ALSO SHEET 2
- PLATING:
 UNDER LAYER: 2 µm MIN. NICKEL OVERALL
 CONTACT AREA: 0,1 µm MIN. GOLD OVER 0,3 µm MIN PdNi
 SOLDER AREA: 0.1 µm Goldflash
-
- MARKING: P=PRODUCTION LOCATION, Y=YEAR, WW=WEEK, D=DAY, LL=PRODUCTION LINE, S=SHIFT.
- PACKAGING IN EIA 481-D; 1700 PRODUCTS PER REEL
 REEL DIMENSION: 380 DIA.
- PLATING: CONTACT AREA: 0,1 µm MIN. GOLD ON CONTACT TIP



THIS DRAWING IS A CONTROLLED DOCUMENT.

DIMENSIONS:	TOLERANCES UNLESS OTHERWISE SPECIFIED:
mm	
0 PLC	±0,20
1 PLC	±0,10
2 PLC	±0,05
3 PLC	±0,025
4 PLC	±
ANGLES	±2°
MATERIAL	FINISH

DWN	07APR2014
CHK	07APR2014
APVD	07APR2014
PRODUCT SPEC	M. Gosselin
APPLICATION SPEC	M. Westen
WEIGHT	108-19470
	114-19153
	0.33 gr

ITEM NO.	DESCRIPTION	MATERIAL	FINISH
5	SLEEVE CONTACT	CU ALLOY	NOTE 4
4	DETECTION CONTACT	CU ALLOY	NOTE 4
3	RETENTION SPRING CONTACT	STAINLESS STEEL	NOTE 8
2	AV SIGNAL CONTACTS	CU ALLOY	NOTE 4
1	HOUSING	PA	-

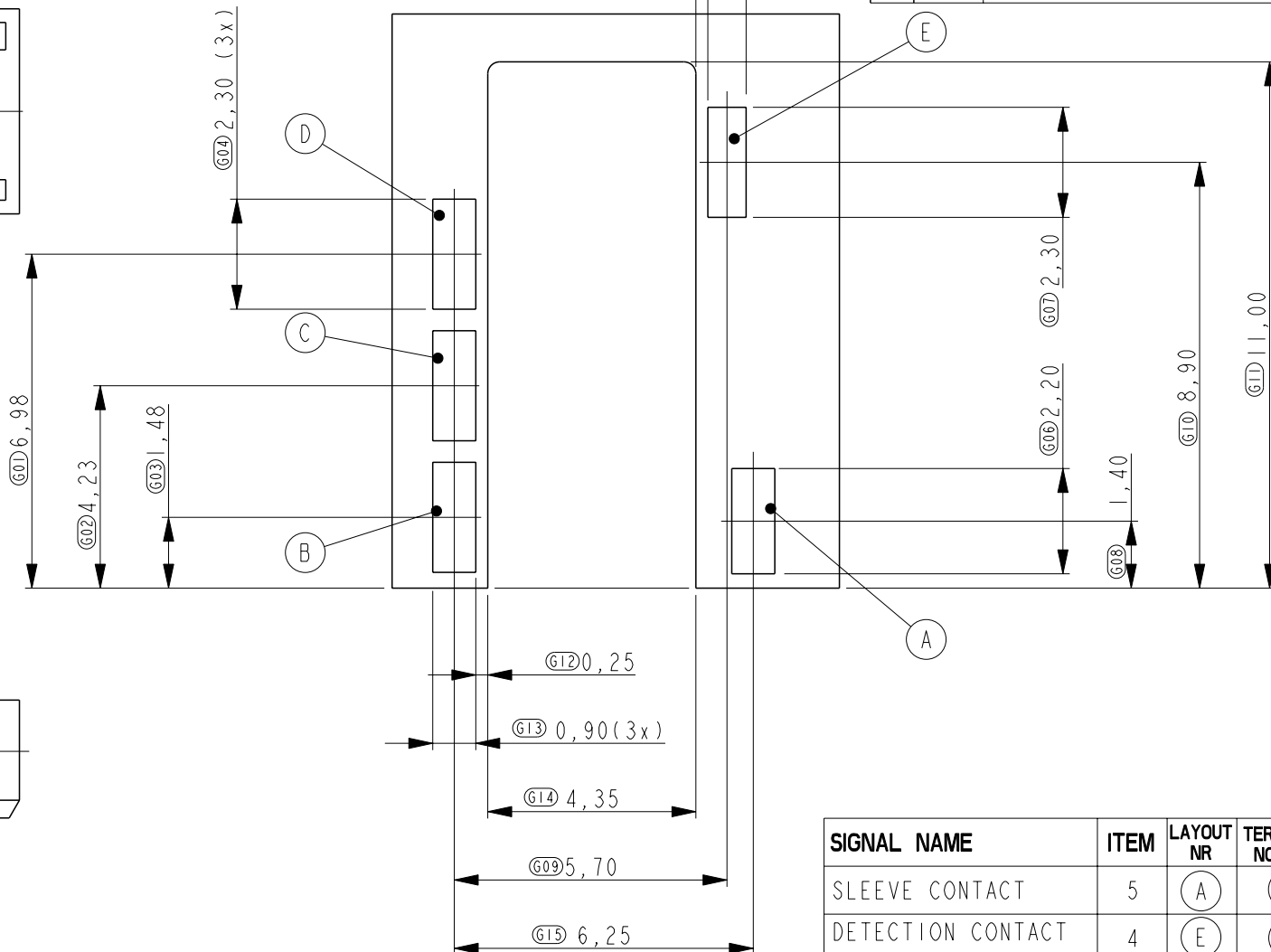
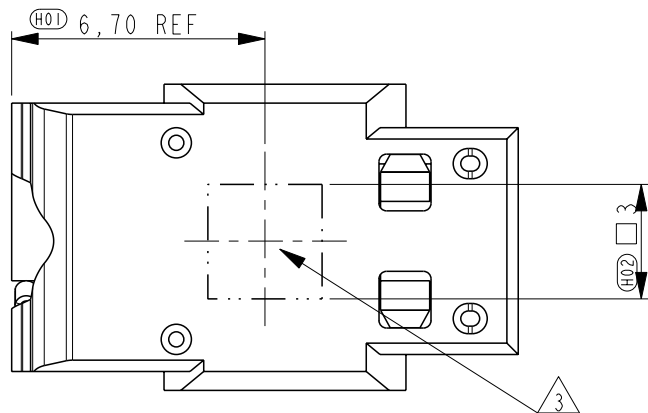
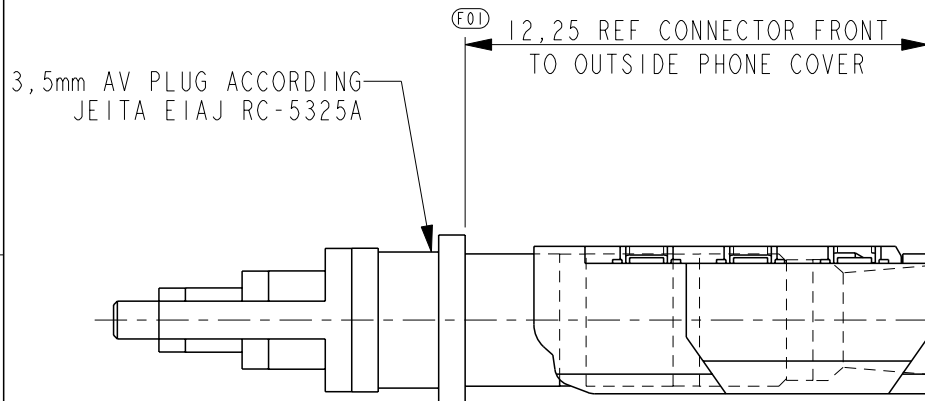
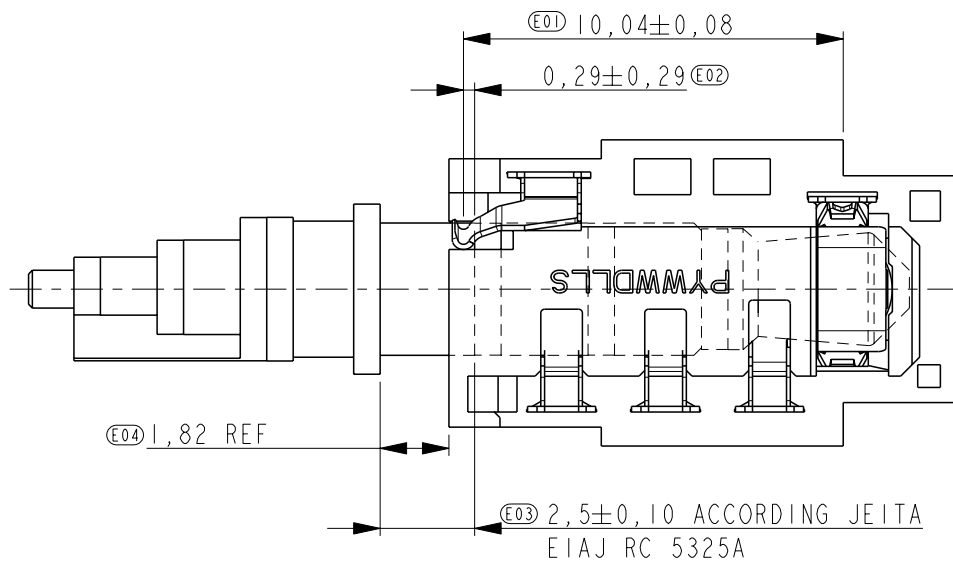


3,5mm AV FLEX CONNECTOR

Customer Drawing	SCALE 8:1	SHEET 1 OF 3	REV BI
------------------	-----------	--------------	--------

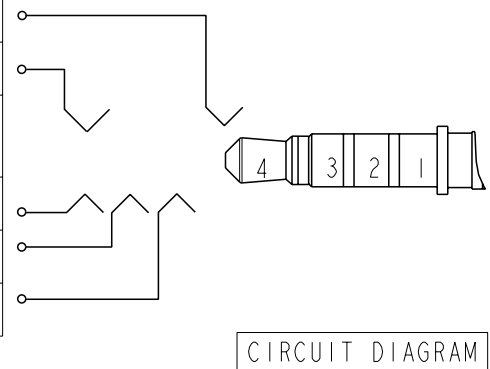
THIS DRAWING IS UNPUBLISHED. RELEASED FOR PUBLICATION
 © COPYRIGHT - BY TYCO ELECTRONICS CORPORATION. ALL RIGHTS RESERVED.

LOC	DIST	REVISIONS					
H	-	P	LTR	DESCRIPTION	DATE	DWN	APVD
		-		SEE SHEET 1			



RECOMMENDED FPC SOLDER LAYOUT
(VIEW FROM COMPONENT SIDE)

SIGNAL NAME	ITEM	LAYOUT NR	TERMINAL NO
SLEEVE CONTACT	5	(A)	(1)
DETECTION CONTACT	4	(E)	(4)
TIP CONTACT	2	(D)	(4)
R1 CONTACT	2	(C)	(3)
R2 CONTACT	2	(B)	(2)



THIS DRAWING IS A CONTROLLED DOCUMENT.		DWN 07APR2014 M. Gosselink	TE Connectivity NAME 3,5mm AV FLEX CONNECTOR				
DIMENSIONS: mm		CHK 07APR2014 M. Gosselink					
TOLERANCES UNLESS OTHERWISE SPECIFIED:		APVD 07APR2014 M. Westen					
0 PLC ±0,20 1 PLC ±0,10 2 PLC ±0,05 3 PLC ±0,025 4 PLC ± ANGLES ±2°		PRODUCT SPEC 108-19479					
MATERIAL -		FINISH -	APPLICATION SPEC 114-19153	SIZE A3	CAGE CODE 00779	DRAWING NO C-2173752	RESTRICTED TO -
Customer Drawing			WEIGHT 0.33 gr	SCALE 8:1	SHEET 2	OF 3	REV B1

THIS DRAWING IS UNPUBLISHED.

RELEASED FOR PUBLICATION

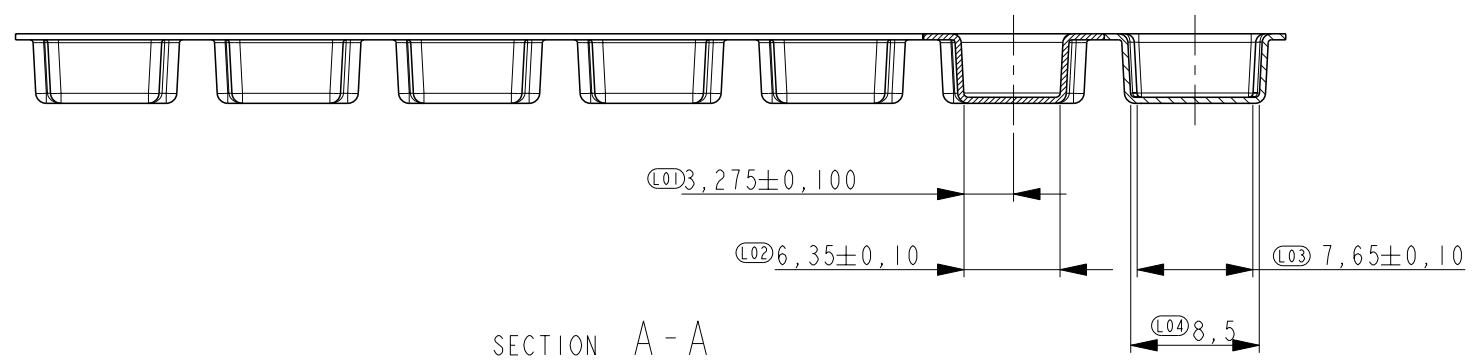
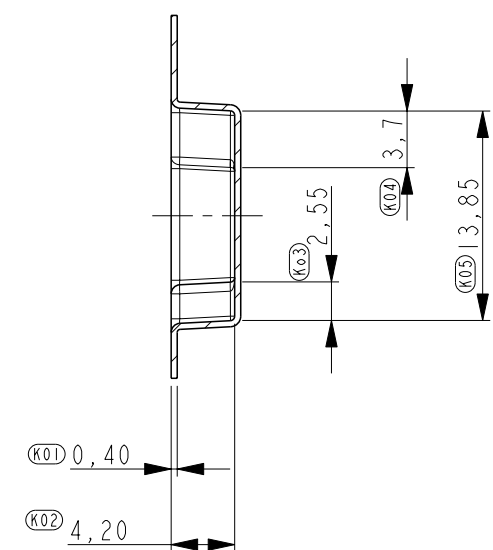
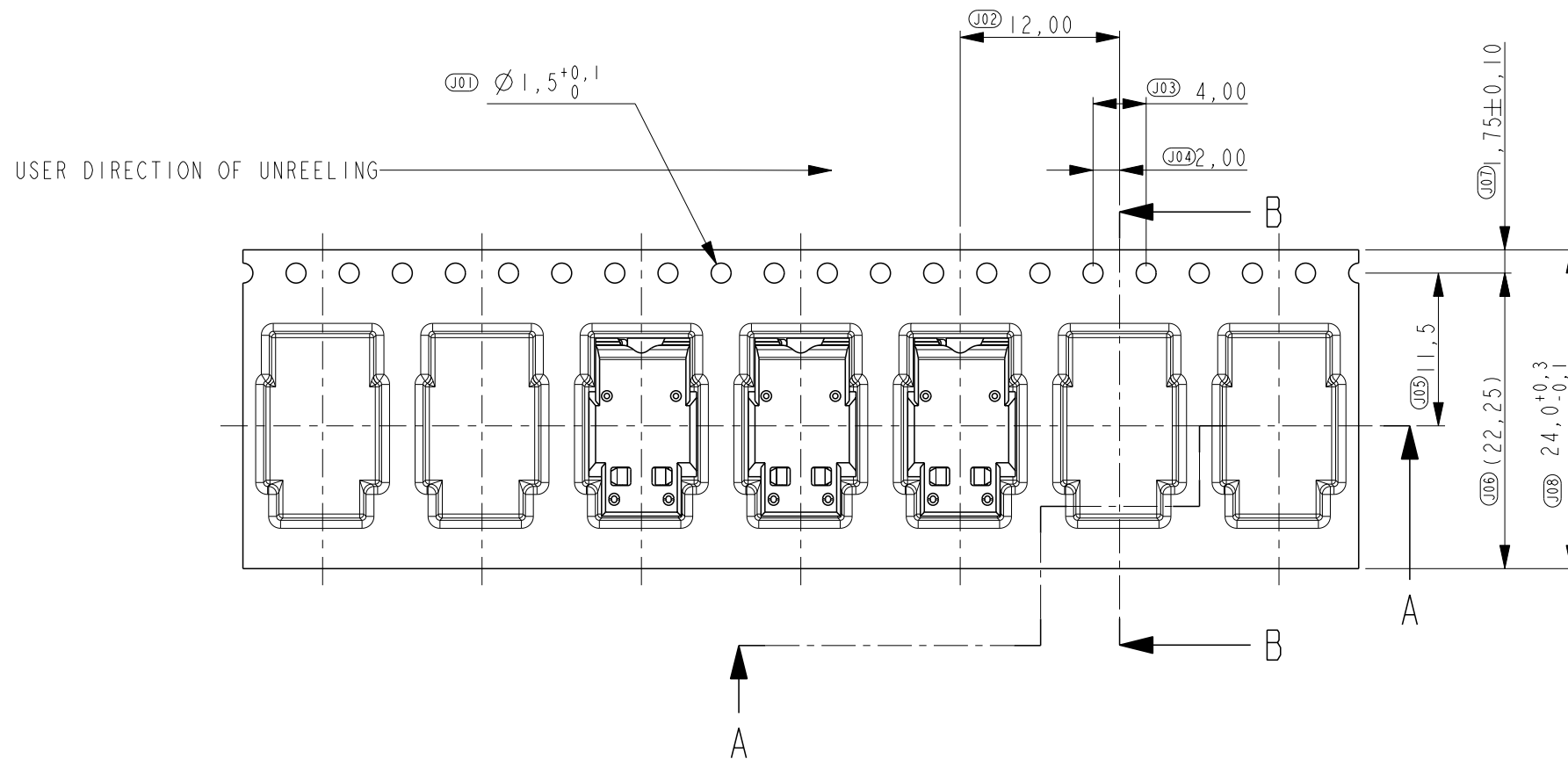
© COPYRIGHT - BY TYCO ELECTRONICS CORPORATION. ALL RIGHTS RESERVED.


LOC H DIST -

REVISIONS

P	LTR	DESCRIPTION	DATE	DWN	APVD
-	-	SEE SHEET 1	-	-	-

PACKAGING QUANTITY		
PCS/REEL	REEL/BOX	PCS/BOX
1700	8	13600



THIS DRAWING IS A CONTROLLED DOCUMENT.		DWN 07APR2014 M. Gosselink	 TE Connectivity	
DIMENSIONS: mm		CHK 07APR2014 M. Gosselink		
TOLERANCES UNLESS OTHERWISE SPECIFIED:		APVD 07APR2014 M. Westen	NAME 3,5mm AV FLEX CONNECTOR	
<ul style="list-style-type: none"> 0 PLC ±0,20 1 PLC ±0,10 2 PLC ±0,05 3 PLC ±0,025 4 PLC ± ANGLES ±2° 		PRODUCT SPEC 108-19479	RESTRICTED TO	
MATERIAL -		FINISH -	APPLICATION SPEC 114-19153	SIZE A3
			WEIGHT 0.33 gr	CAGE CODE 00779
			Customer Drawing	DRAWING NO C=2173752
			SCALE 8:1	SHEET 3 OF 3
				REV B1