



Chipsmall Limited consists of a professional team with an average of over 10 year of expertise in the distribution of electronic components. Based in Hongkong, we have already established firm and mutual-benefit business relationships with customers from,Europe,America and south Asia,supplying obsolete and hard-to-find components to meet their specific needs.

With the principle of "Quality Parts,Customers Priority,Honest Operation,and Considerate Service",our business mainly focus on the distribution of electronic components. Line cards we deal with include Microchip,ALPS,ROHM,Xilinx,Pulse,ON,Everlight and Freescale. Main products comprise IC,Modules,Potentiometer,IC Socket,Relay,Connector.Our parts cover such applications as commercial,industrial, and automotives areas.

We are looking forward to setting up business relationship with you and hope to provide you with the best service and solution. Let us make a better world for our industry!



Contact us

Tel: +86-755-8981 8866 Fax: +86-755-8427 6832

Email & Skype: info@chipsmall.com Web: www.chipsmall.com

Address: A1208, Overseas Decoration Building, #122 Zhenhua RD., Futian, Shenzhen, China



THIS DRAWING IS UNPUBLISHED.

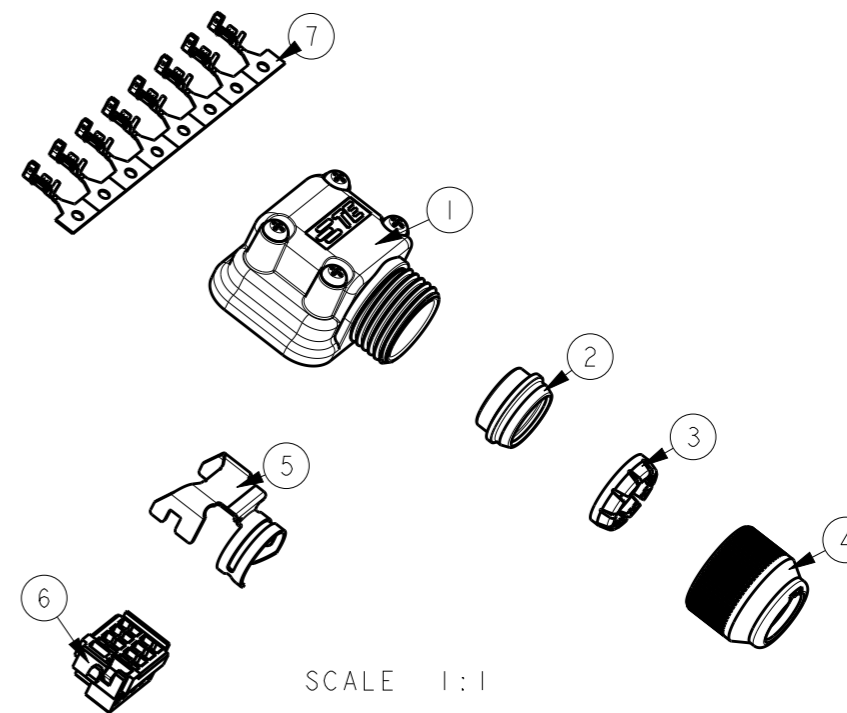
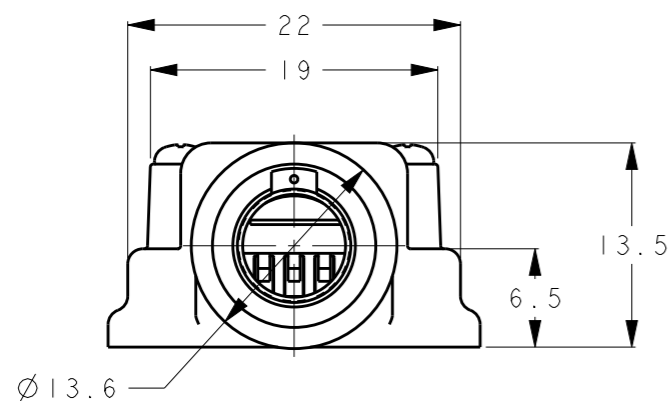
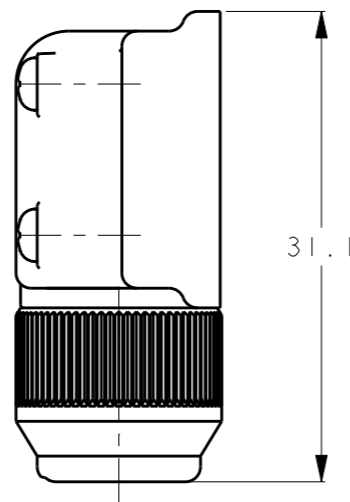
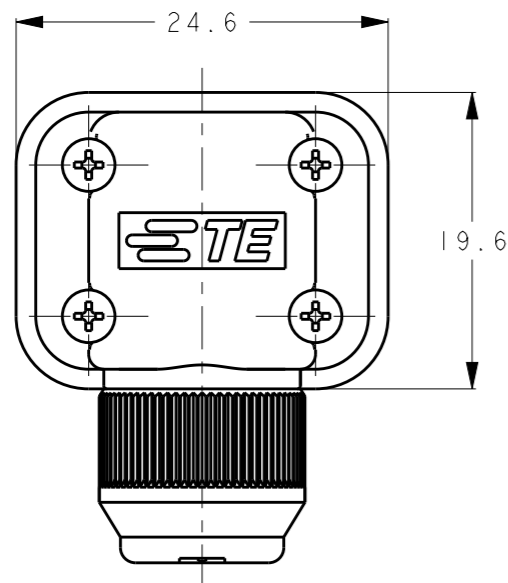
RELEASED FOR PUBLICATION

2011

© COPYRIGHT 2011, APR BY TE Connectivity

ALL RIGHTS RESERVED.

LOC	DIST	REVISIONS			
P	LTR	DESCRIPTION	DATE	DWN	APVD
J	-	B	REVISED	17APR2013	H.O N.Y




- 1: AS SHOWN

SCALE 1:1

1. HANDLING OF THIS PRODUCT REFER TO THE INSTRUCTION SHEET(408-78003)

1. Instraction Sheet(408-78003)を確認して組立願います。

8	PHOS-PHO BRONZE, GOLD PL. リン青銅、金めっき	REC. CONTACT リセブタクル・コンタクト	7
1	POLYESTER RESIN/PHOS-PHO BRONZE ポリエステル樹脂/リン青銅	INNER REC. HSG. インナー・リセブタクル・ハウジング	6
1	STEEL, Ni PL. 鋼、ニッケルめっき	GROUND CLIP グラウンド・クリップ	5
1	POLYESTER RESIN ポリエステル樹脂	WIRE FIXED SET SCREW ワイヤー・フィックスド・セット・スクリュー	4
1	POLYACETAL RESIN ポリアセタル樹脂	WIRE CLAMP ワイヤー・クランプ	3
1	NBR ニトリルゴム	WIRE RUBBER PACKING ワイヤー・ラバー・パッキン	2
1	POLYESTER RESIN/STEEL, Ni PL./NBR ポリエステル樹脂/鋼、ニッケルめっき/ニトリルゴム	REC. CASE ASS'Y リセブタクル・ケース・アセンブリ	1
- 1	MATERIAL FINISH 材質 仕上げ	NAME 名前	ITEM NO.

THIS DRAWING IS A CONTROLLED DOCUMENT.		DWN T. SAMI 08JUL2011	 TE Connectivity																			
DIMENSIONS: mm		CHK N. YAMASAKI 08JUL2011																				
TOLERANCES UNLESS OTHERWISE SPECIFIED:		APVD N. YAMASAKI 08JUL2011	NAME ENCODRE CABLE I/O KIT MICRO MOTOR PLUS																			
<table border="0"> <tr> <td>0 PLC</td><td>±</td><td>±0.3</td></tr> <tr> <td>1 PLC</td><td>±</td><td>±0.3</td></tr> <tr> <td>2 PLC</td><td>±</td><td>±0.3</td></tr> <tr> <td>3 PLC</td><td>±</td><td>±0.3</td></tr> <tr> <td>4 PLC</td><td>±</td><td>±0.3</td></tr> <tr> <td>ANGLES</td><td>±</td><td>±</td></tr> </table>		0 PLC	±	±0.3	1 PLC	±	±0.3	2 PLC	±	±0.3	3 PLC	±	±0.3	4 PLC	±	±0.3	ANGLES	±	±	PRODUCT SPEC 108-5864	RESTRICTED TO	
0 PLC	±	±0.3																				
1 PLC	±	±0.3																				
2 PLC	±	±0.3																				
3 PLC	±	±0.3																				
4 PLC	±	±0.3																				
ANGLES	±	±																				
MATERIAL SEE TABLE		FINISH SEE TABLE	APPLICATION SPEC 114-5335	SIZE A300779																		
		WEIGHT 6.64g	DRAWING NO C=2174053	SCALE 2:1																		
		CUSTOMER DRAWING	SHEET 1	OF 1																		
			REV B																			