



Chipsmall Limited consists of a professional team with an average of over 10 year of expertise in the distribution of electronic components. Based in Hongkong, we have already established firm and mutual-benefit business relationships with customers from,Europe,America and south Asia,supplying obsolete and hard-to-find components to meet their specific needs.

With the principle of “Quality Parts,Customers Priority,Honest Operation,and Considerate Service”,our business mainly focus on the distribution of electronic components. Line cards we deal with include Microchip,ALPS,ROHM,Xilinx,Pulse,ON,Everlight and Freescale. Main products comprise IC,Modules,Potentiometer,IC Socket,Relay,Connector.Our parts cover such applications as commercial,industrial, and automotives areas.

We are looking forward to setting up business relationship with you and hope to provide you with the best service and solution. Let us make a better world for our industry!



## Contact us

Tel: +86-755-8981 8866 Fax: +86-755-8427 6832

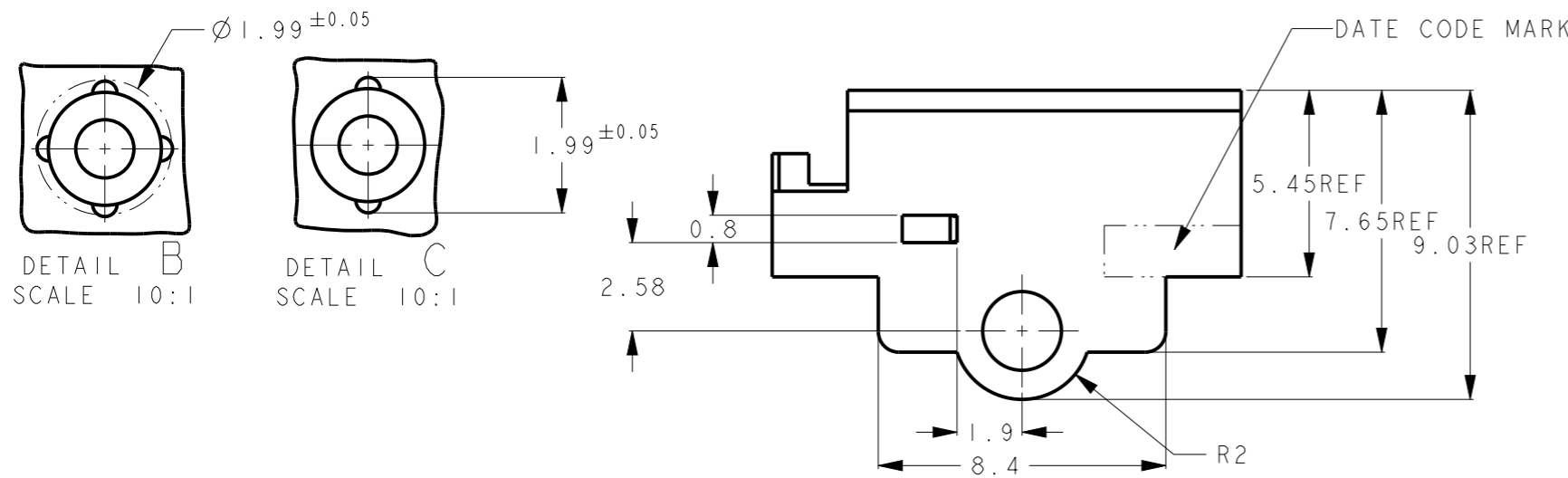
Email & Skype: info@chipsmall.com Web: www.chipsmall.com

Address: A1208, Overseas Decoration Building, #122 Zhenhua RD., Futian, Shenzhen, China



THIS DRAWING IS UNPUBLISHED. RELEASED FOR PUBLICATION 20  
 © COPYRIGHT 20 BY - ALL RIGHTS RESERVED.

LOC	DIST	REVISIONS			
P	LTR	DESCRIPTION	DATE	DWN	APVD
J	-	A	RELEASED	25NOV2011	T.N N.Y
		B	REVISED	20DEC2011	T.N N.Y
		C	LAYOUT FOR PCB PANEL ARRAYS VIEW UPDATED	09APR2013	T.N N.Y
		D	REVISED(ECR-14-000923)	22JAN2014	T.N N.Y



2174306-1:AS SHOWN  
本図

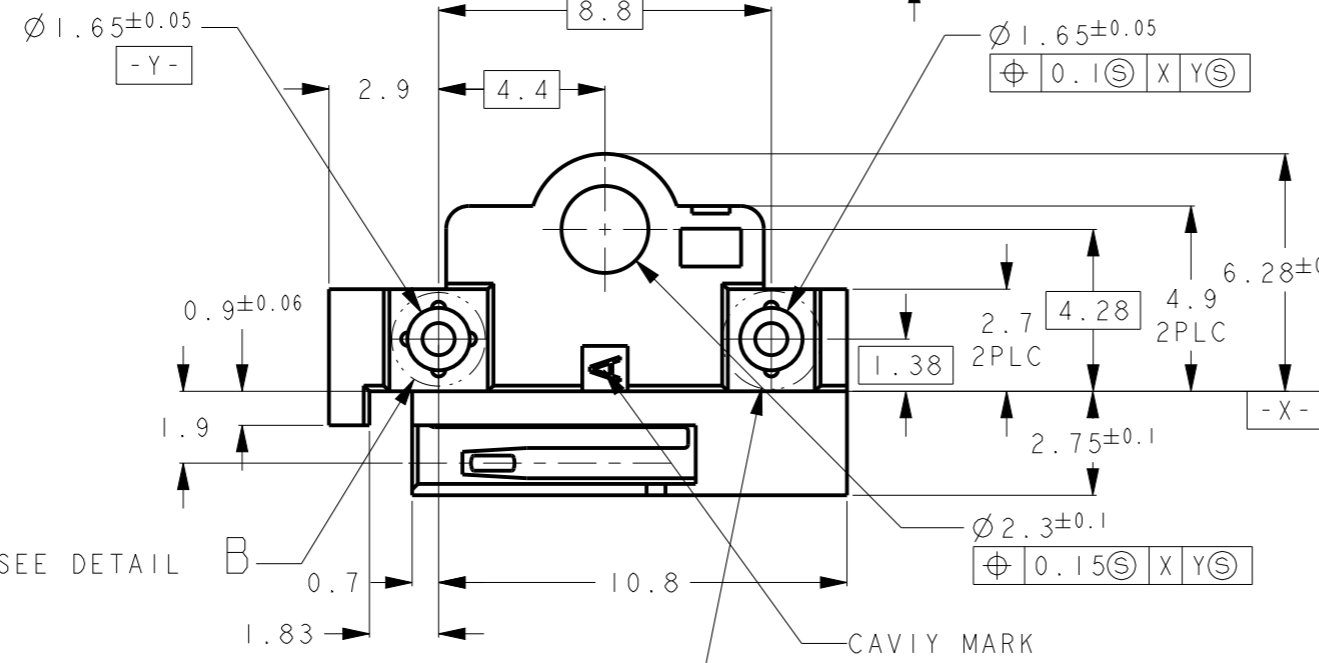
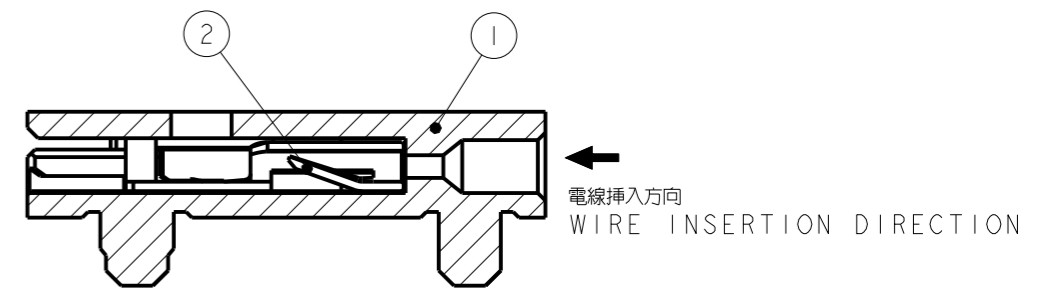
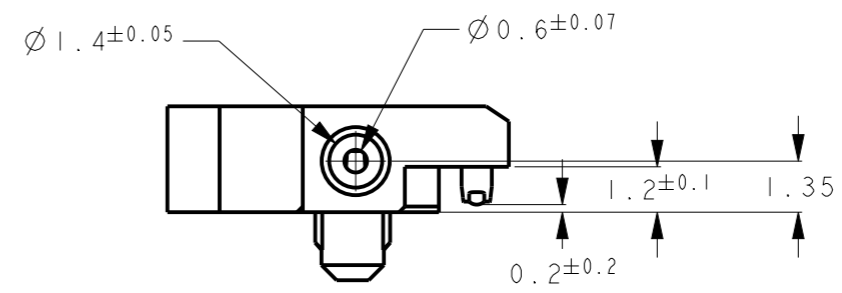
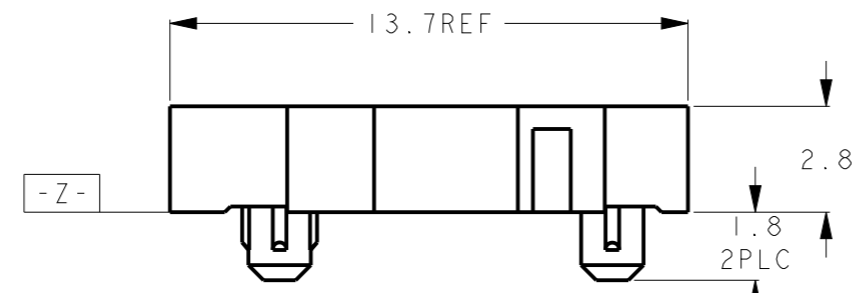
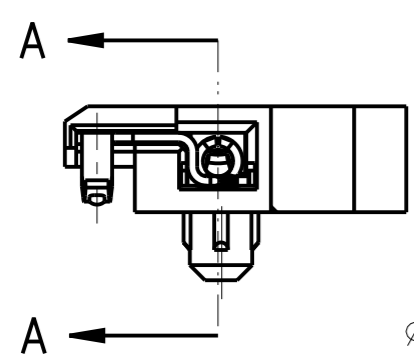
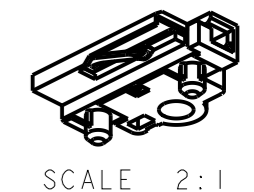


TABLE I		
COPPER ALLOY LED MODULE CONTACT AREA : GOLD PLATED ALL OVER UNDER NICKEL PLATED 銅合金 LED モジュール接触部 : 金めっき 全面下地ニッケルめっき	CONTACT コンタクト	②
LCP 液晶ポリマー	HOUSING ハウジング	①
MATERIAL & FINISH		NAME
		ITEM

- 適用電線 : AWG24 単線 ( 錫めっき品 )  
被覆外径 :  $\phi 1.35\text{mmMAX}$
- 適用ネジ : M2
- ねじ締めトルク値 :  $9\text{cN}\cdot\text{m MAX}$
- 外観基準 : タイコエレクトロニクスジャパン合同会社社内基準に準拠する。
- 本コネクタはシャープ製ミニ銭形シリーズに使用可能である。

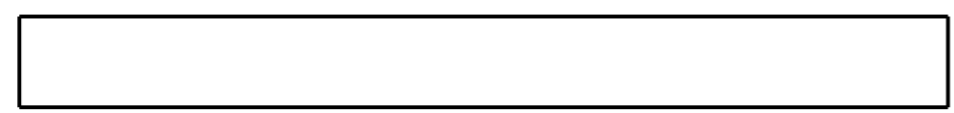
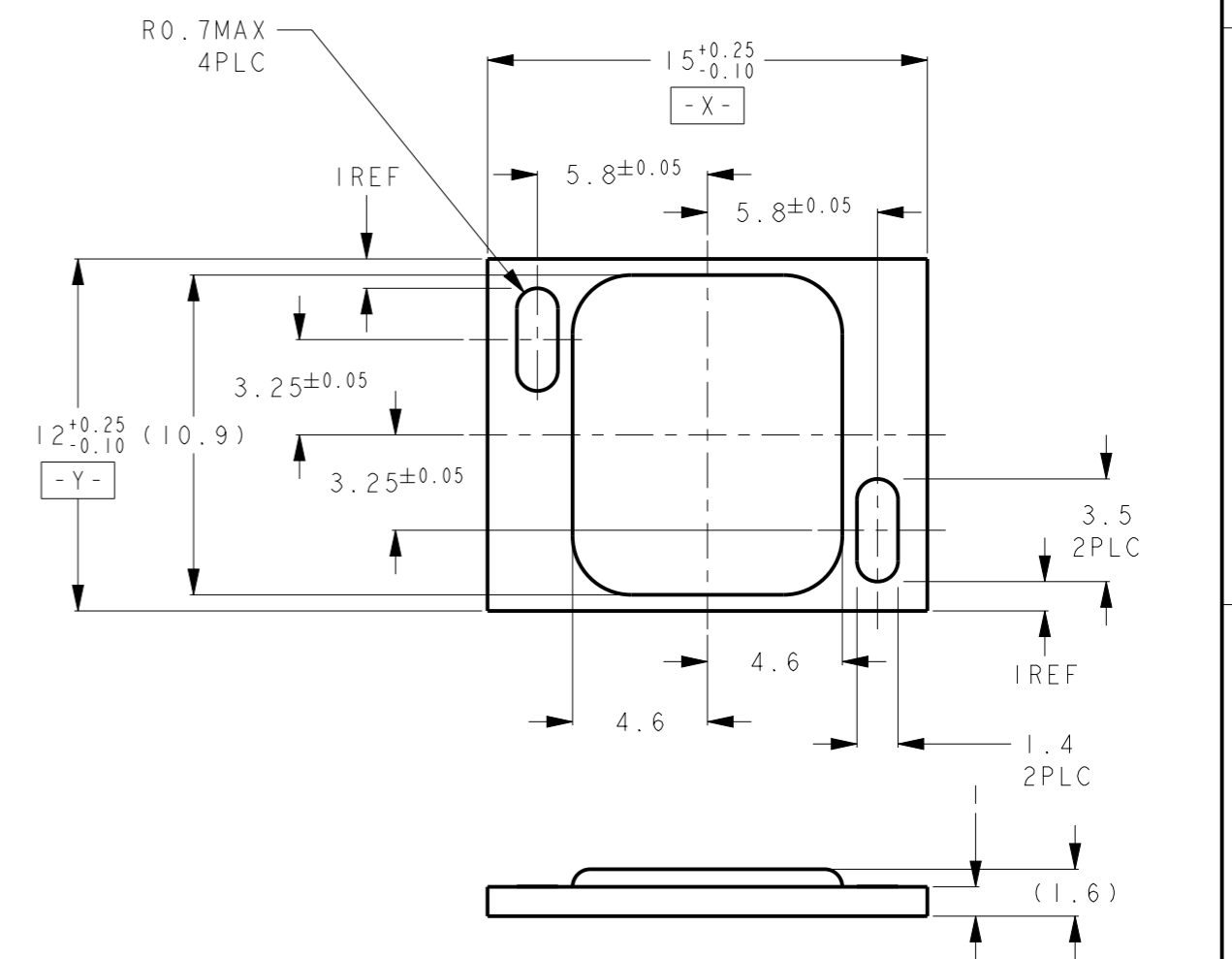
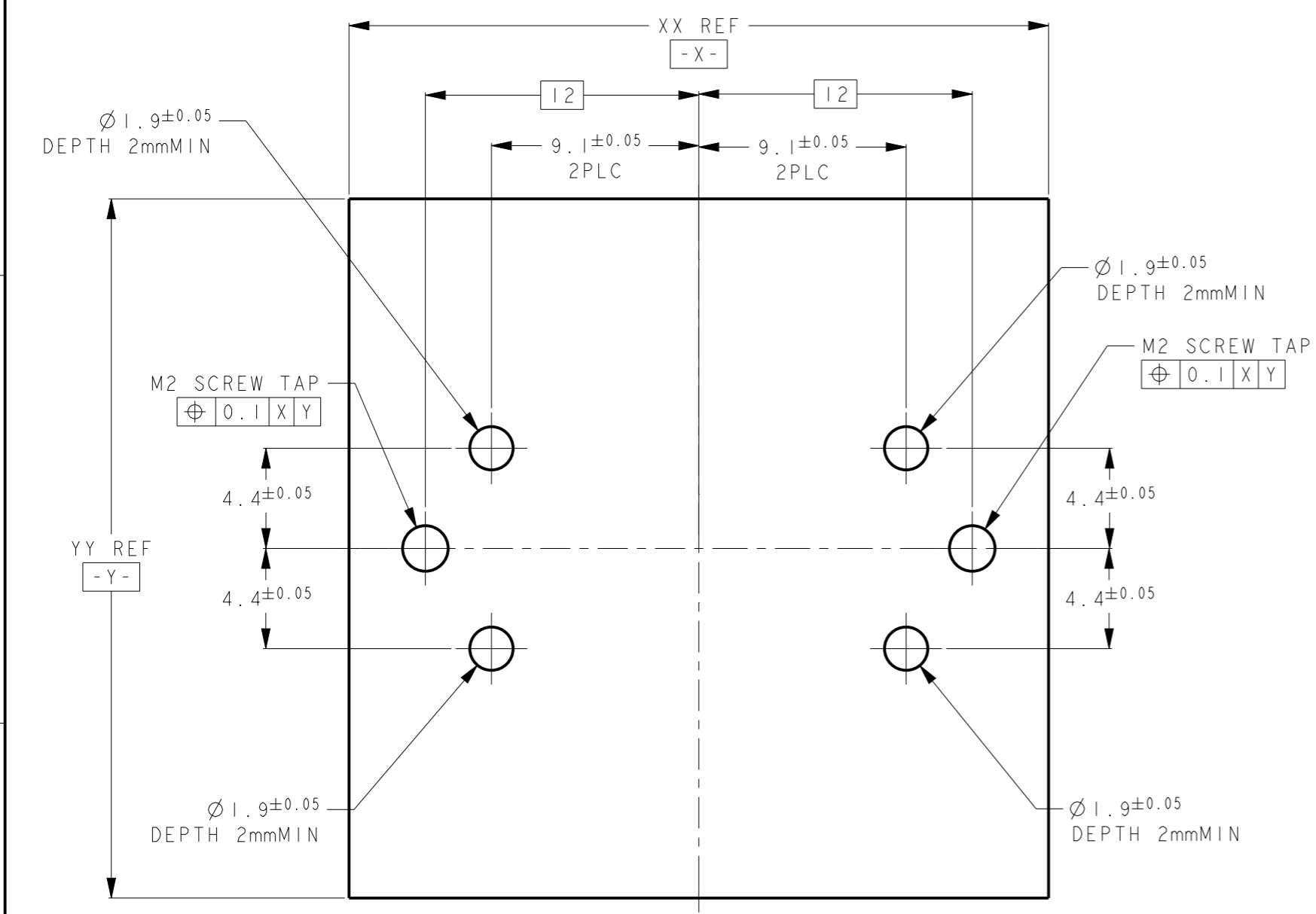
- APPLICABLE WIRES : AWG24 SOLID ( TIN COATING )  
INSULATION DIAMETER :  $\phi 1.35\text{mmMAX}$
- APPLICABLE SCREW : M2
- SCREW TIGHTENING TORQUE :  $9\text{cN}\cdot\text{m MAX}$
- VISUAL STANDARD : TO CONFORM TYCO ELECTRONICS JAPAN G.K.  
INTERNAL RULE.
- THIS CONNECTOR CAN BE USED FOR MINI ZENIGATA SERIES OF SHARP.

THIS DRAWING IS A CONTROLLED DOCUMENT.	
DIMENSIONS: mm	TOLERANCES UNLESS OTHERWISE SPECIFIED: $\pm 0.15$
	0 PLC $\pm$
	1 PLC $\pm$
	2 PLC $\pm$
	3 PLC $\pm$
	4 PLC $\pm$
	ANGLES $\pm 1^\circ$
MATERIAL TABLE I	FINISH TABLE I

DWN T. NAGASAKI 25NOV2011	TE Connectivity NAME <b>LUMAWISE LED HOLDER, TYPE SMIZ</b>
CHK M. HARASAWA 25NOV2011	
APVD N. YAMASAKI 25NOV2011	
PRODUCT SPEC 108-78860	
APPLICATION SPEC 114-5490	SIZE A300779
WEIGHT 0.357g	CAGE CODE C=2174306
Customer Drawing	RESTRICTED TO -
SCALE 2:1	SHEET 1 OF 3
	REV D

THIS DRAWING IS UNPUBLISHED. RELEASED FOR PUBLICATION 20  
 © COPYRIGHT 20 BY - ALL RIGHTS RESERVED.

LOC	DIST	REVISIONS			
P	LTR	DESCRIPTION	DATE	DWN	APVD
J	-	SEE SHEET 1	-	-	-



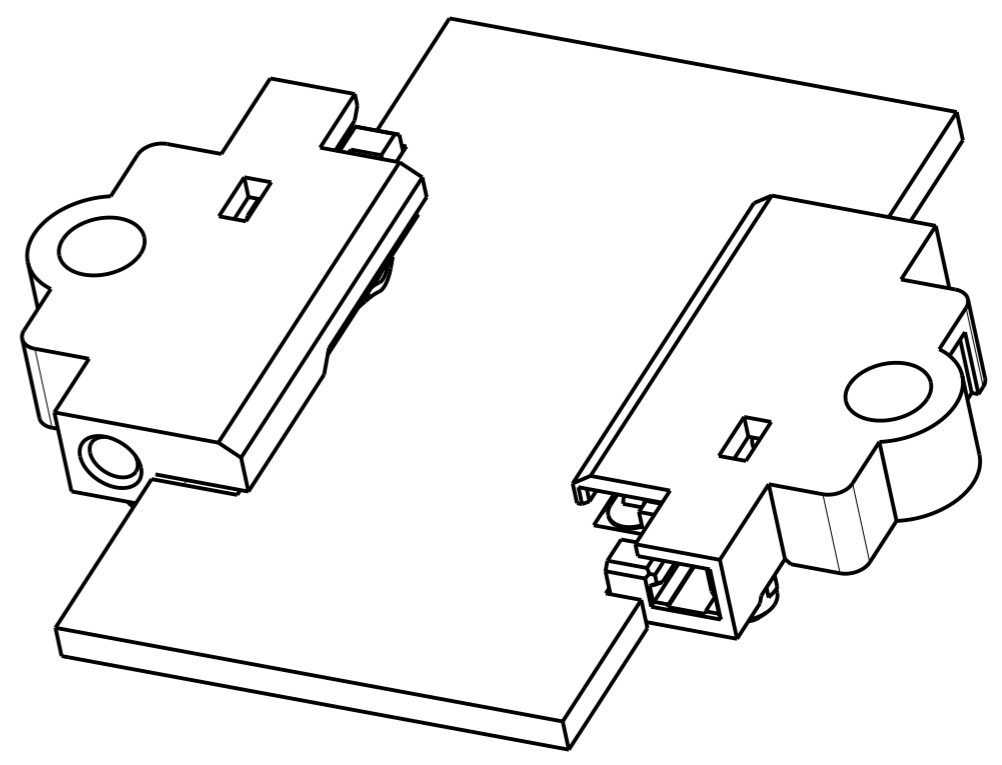
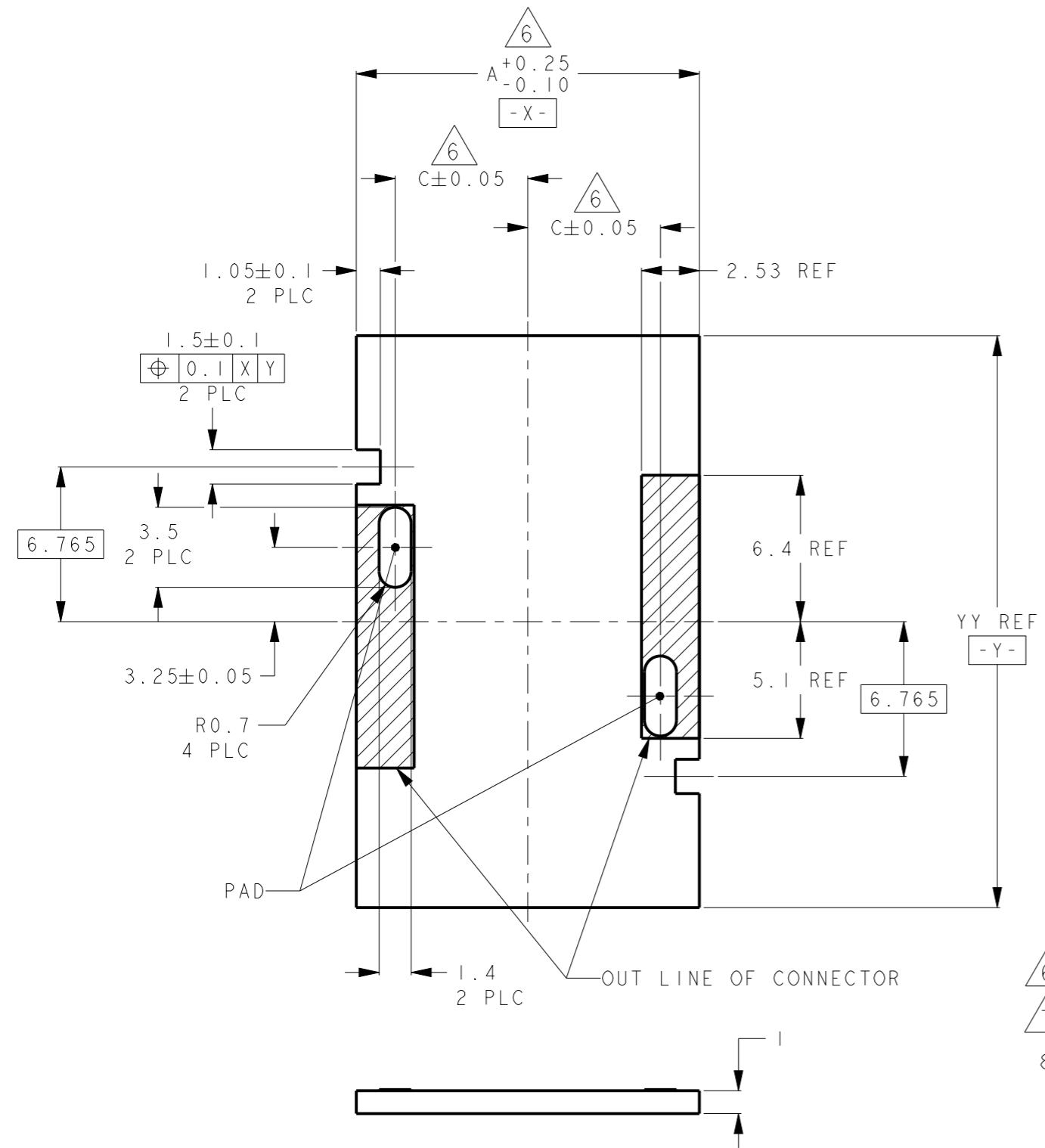
HEAT SINK 参考寸法(ミニ銭形)  
 HEAT SINK REFERENCE DIMENSION FOR MINI ZENIGATA

LED PACKAGE 参考寸法(ミニ銭形)  
 LED PACKAGE REFERENCE DIMENSION FOR MINI ZENIGATA

THIS DRAWING IS A CONTROLLED DOCUMENT.		DWN	<b>TE Connectivity</b>			
DIMENSIONS: mm		CHK				
TOLERANCES UNLESS OTHERWISE SPECIFIED: ±0.1		APVD	NAME			
0 PLC ± 1 PLC ± 2 PLC ± 3 PLC ± 4 PLC ± ANGLES ±1°		PRODUCT SPEC	LUMAWISE LED HOLDER, TYPE SMIZ			
MATERIAL		APPLICATION SPEC	SIZE	CAGE CODE	DRAWING NO	RESTRICTED TO
FINISH		WEIGHT	A300779	G=2174306		-
		Customer Drawing	SCALE	SHEET	OF	REV
			2:1	2	3	D

THIS DRAWING IS UNPUBLISHED. RELEASED FOR PUBLICATION 20  
 © COPYRIGHT 20 BY - ALL RIGHTS RESERVED.

LOC	DIST	REVISIONS			
P	LTR	DESCRIPTION	DATE	DWN	APVD
J	-	SEE SHEET 1	-	-	-



- 6 SEE TABLE 2
- 7 THIS DIMENSION CAN BE DECIDED BY CUSTOMER
- 8 ALTHOUGH THE PAD LOCATIONS ARE SHOWN DIRECTLY OPPOSITE EACH OTHER, THE CONTACT PADS CAN BE OFFSET ALONG THE BOARD EDGE AS DICTATED BY DESIGN NEEDS.

REFERENCE LAYOUT FOR PCB PANEL ARRAYS

6 TABLE 2		7	DIMENSION
(A-3.4)/2	(A+3.2)/2	A	NO.
C	B		

THIS DRAWING IS A CONTROLLED DOCUMENT.		DWN	<b>STE</b> TE Connectivity	
DIMENSIONS: mm		CHK		
TOLERANCES UNLESS OTHERWISE SPECIFIED: ±0.1		APVD	NAME	
0 PLC ±		PRODUCT SPEC	LUMAWISE LED HOLDER, TYPE SMIZ	
1 PLC ±		APPLICATION SPEC	SIZE	RESTRICTED TO
2 PLC ±		WEIGHT	A300779	-
3 PLC ±		Customer Drawing	CAGE CODE	DRAWING NO
4 PLC ±		SCALE	G-2174306	REV
ANGLES ±1°		4:1	3	D
FINISH		SHEET	OF	
		3	3	