



Chipsmall Limited consists of a professional team with an average of over 10 year of expertise in the distribution of electronic components. Based in Hongkong, we have already established firm and mutual-benefit business relationships with customers from,Europe,America and south Asia,supplying obsolete and hard-to-find components to meet their specific needs.

With the principle of “Quality Parts,Customers Priority,Honest Operation,and Considerate Service”,our business mainly focus on the distribution of electronic components. Line cards we deal with include Microchip,ALPS,ROHM,Xilinx,Pulse,ON,Everlight and Freescale. Main products comprise IC,Modules,Potentiometer,IC Socket,Relay,Connector.Our parts cover such applications as commercial,industrial, and automotives areas.

We are looking forward to setting up business relationship with you and hope to provide you with the best service and solution. Let us make a better world for our industry!



Contact us

Tel: +86-755-8981 8866 Fax: +86-755-8427 6832

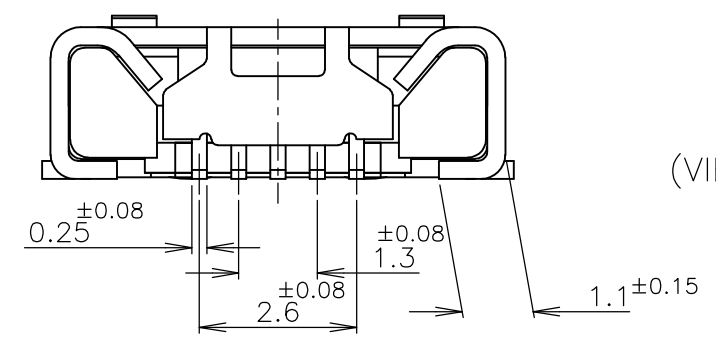
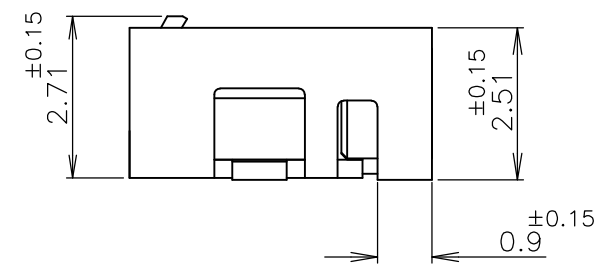
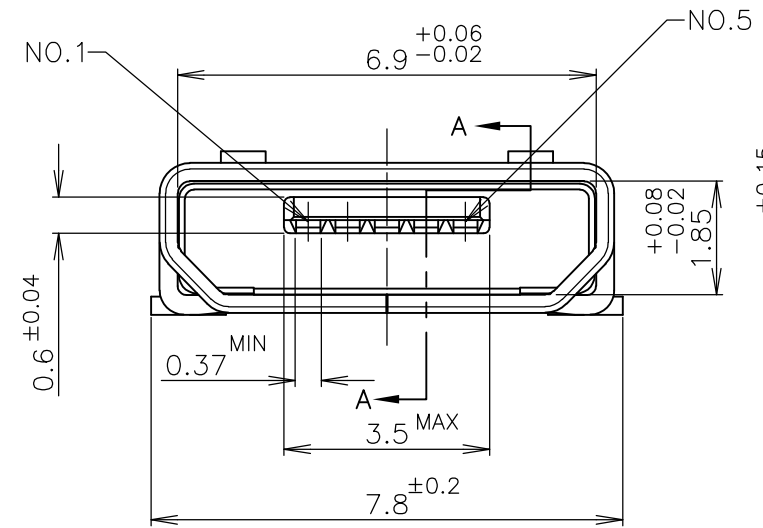
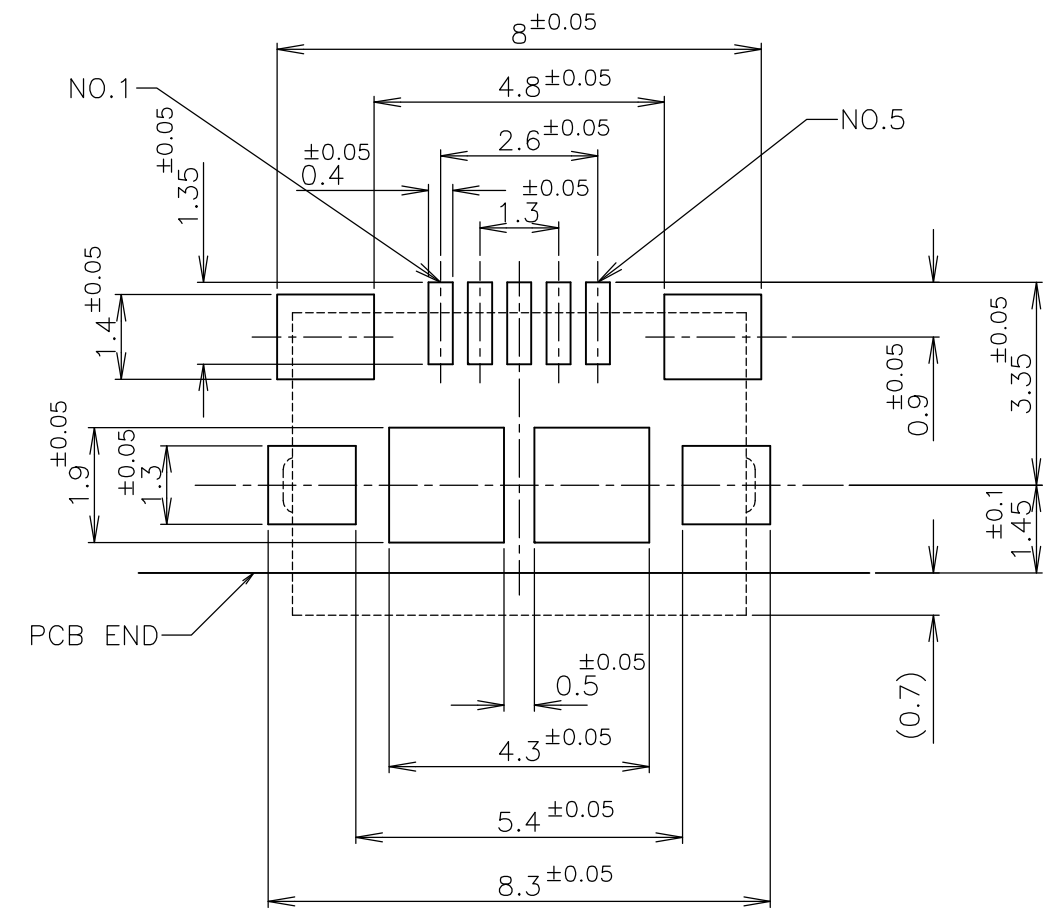
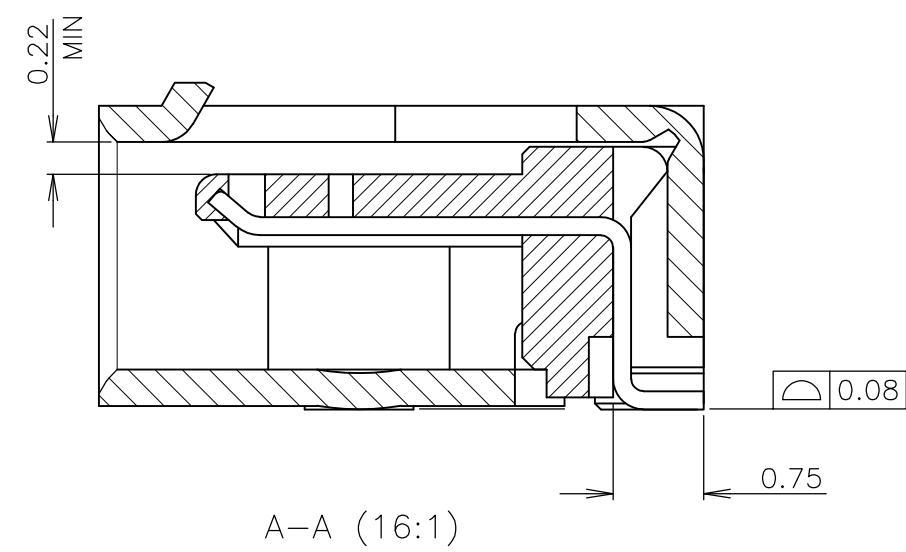
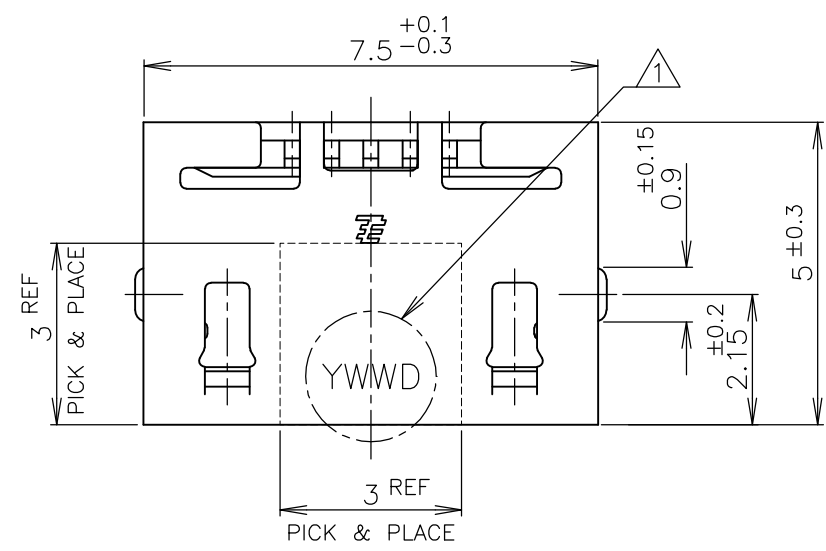
Email & Skype: info@chipsmall.com Web: www.chipsmall.com

Address: A1208, Overseas Decoration Building, #122 Zhenhua RD., Futian, Shenzhen, China



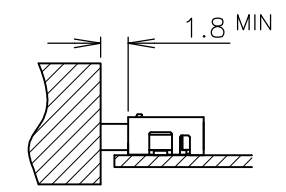
THIS DRAWING IS UNPUBLISHED. RELEASED FOR PUBLICATION NOV. 2011.
 © COPYRIGHT 2011 By Tyco Electronics Japan G.K. ALL RIGHTS RESERVED.

LOC	DIST	REVISIONS					
J	/	P	LTR	DESCRIPTION	DATE	DWN	APVD
		A	RELEASED		08NOV2011	C.O	T.K



PCB LAYOUT (REFERENCE)
(VIEWED FROM CONNECTOR MOUNT SIDE)

DISTANCE BETWEEN PLUG & RECE



(REFERENCE DIMENSION)

▲ LASER MARKING: YWWD
 DATE CODE (YEAR, WEEK, DAY)

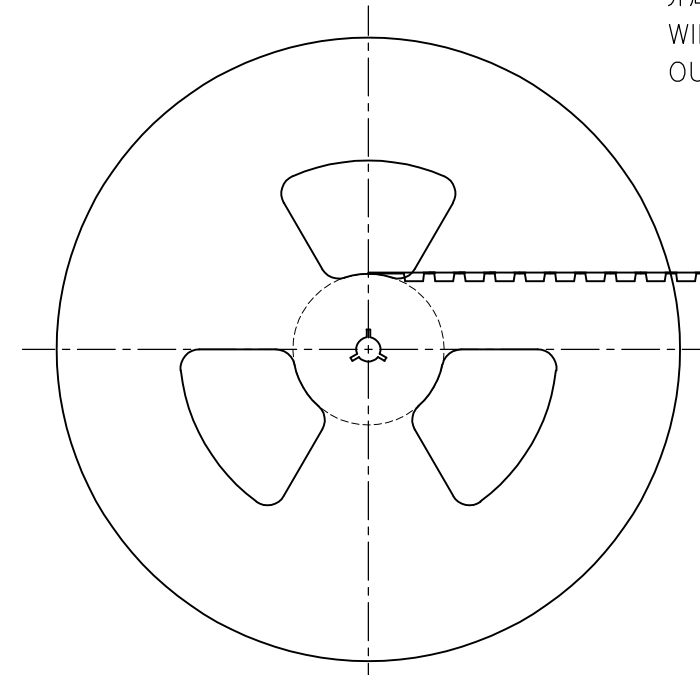
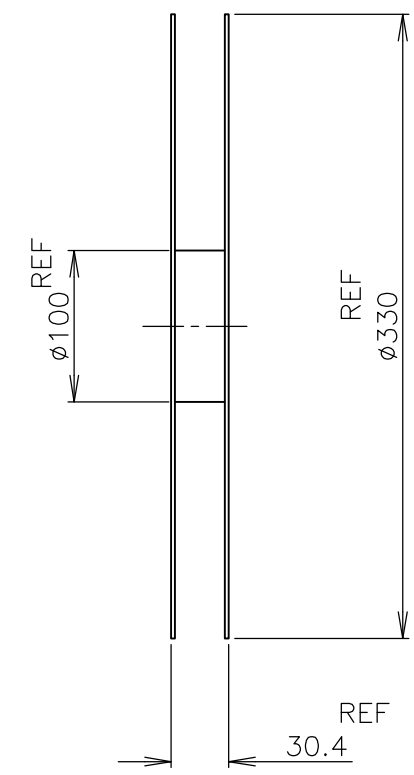
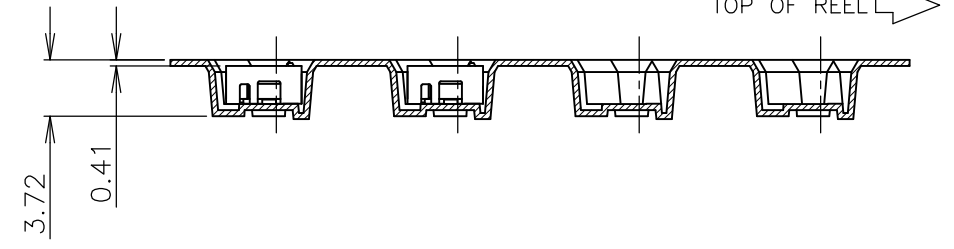
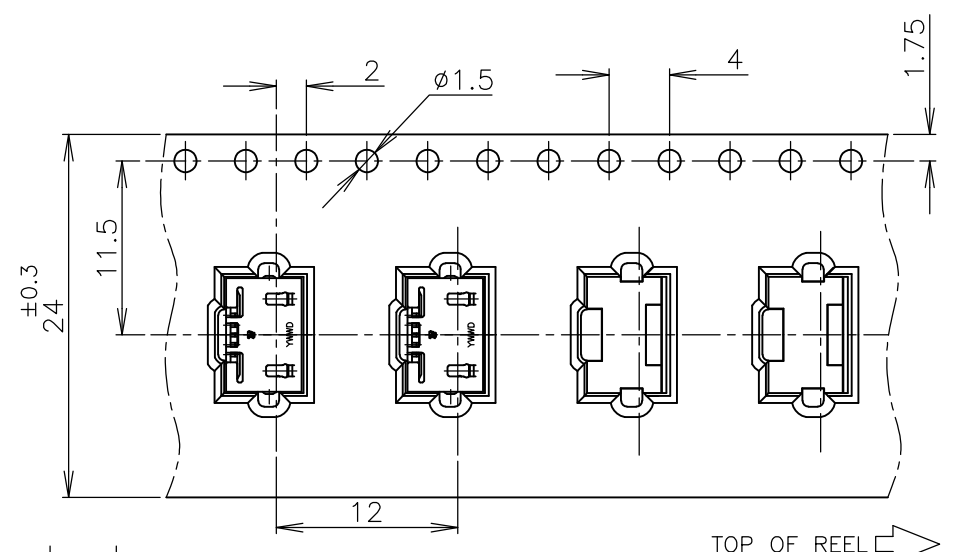
- OVERALL TOLERANCE: ±0.2
- MATERIAL HOUSING: THERMOPLASTIC RESIN UL94V-0
CONTACT: COPPER ALLOY
SHELL : STAINLESS STEEL (APPLIED GREASE AT LOCK POSITION)
- FINISH CONTACT: Ni UNDER PL
Au PL
SHELL : Ni UNDER PL
Sn PL
- PREVENTION OF WRENCHING
PLEASE HOLD THE TOP AND THE SIDE OF CONNECTOR BY THE CASE.
- PREVENTION OF HITTING DURING PLUG INSERTION
PLEASE SET THE INSERTION GUIDE ALONG THE MATING SURFACE.

2174507-2
PART NUMBER

THIS DRAWING IS A CONTROLLED DOCUMENT.		DWN C.OHASHI 07NOV2011	STE TE Connectivity	
DIMENSIONS: 単位: 耗 mm		CHK A.KUBO 08NOV2011		
TOLERANCES UNLESS OTHERWISE SPECIFIED: 一般公差		APVD T.KUSUHARA 08NOV2011	NAME 名称	
0 PLC ± -		PRODUCT SPEC 製品規格	MICRO USB	
1 PLC ± -		APPLICATION SPEC 取付適用規格	RECEPTACLE STANDARD 2DIP TYPE B	
2 PLC ± -		WEIGHT 0.22g	FLANGELESS	
3 PLC ± -		CUSTOMER DRAWING	SIZE A3	CAGE CODE 00779
4 PLC ± -			DRAWING NO 番号 C-2174507	RESTRICTED TO -
ANGLES ± -			SCALE 尺度 8:1	SHEET 1 OF 3
FINISH 仕上			REV A	

THIS DRAWING IS UNPUBLISHED. RELEASED FOR PUBLICATION APR , 2011.
 © COPYRIGHT 2011 By Tyco Electronics Japan G.K. ALL RIGHTS RESERVED.

LOC	DIST	REVISIONS		
		P	LTR	DESCRIPTION
J	/	-	-	SEE SHEET 1
				DATE
				DWN
				APVD



カバーテープリーダー部
 外周1巻
 WIDE COVER TAPE AROUND
 OUT PERIPHERY 1 TURN
 剥離強度 0.1-1.3N MAX (300±10mm/min)
 PEELING STRENGTH
 剥離強度 165~180°
 PEELING ANGLE

引き出し方向
 TOP OF REEL

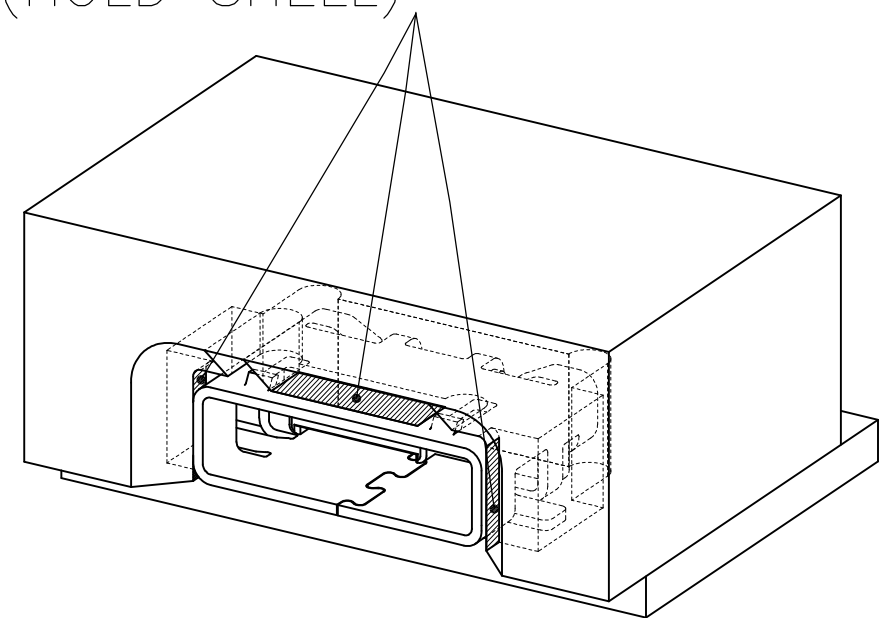
空部 WITHOUT CHARGE 160mm程度 APPROX
 製品装填部 WITH PRODUCT CHARGE 1000個/リール 1000EA/REEL
 空部 WITHOUT CHARGE 400mm程度 APPROX
 HOLES 15穴

THIS DRAWING IS A CONTROLLED DOCUMENT.		DWN	STE TE Connectivity		
DIMENSIONS: 単位: 耗 mm		CHK			
TOLERANCES UNLESS OTHERWISE SPECIFIED: 一般公差		APVD	MICRO USB RECEPTACLE STANDARD 2DIP TYPE B FLANGELESS		
0 PLC ± -		PRODUCT SPEC 製品規格	SIZE	CAGE CODE	DRAWING NO 番号
1 PLC ± -		APPLICATION SPEC 取付適用規格	A3	00779	G-2174507
2 PLC ± -		WEIGHT	RESTRICTED TO		
3 PLC ± -		CUSTOMER DRAWING	SCALE 尺度 NTS SHEET 2 OF 3 REV A		
4 PLC ± -					
ANGLES ± -					
MATERIAL 材料	FINISH 仕上				

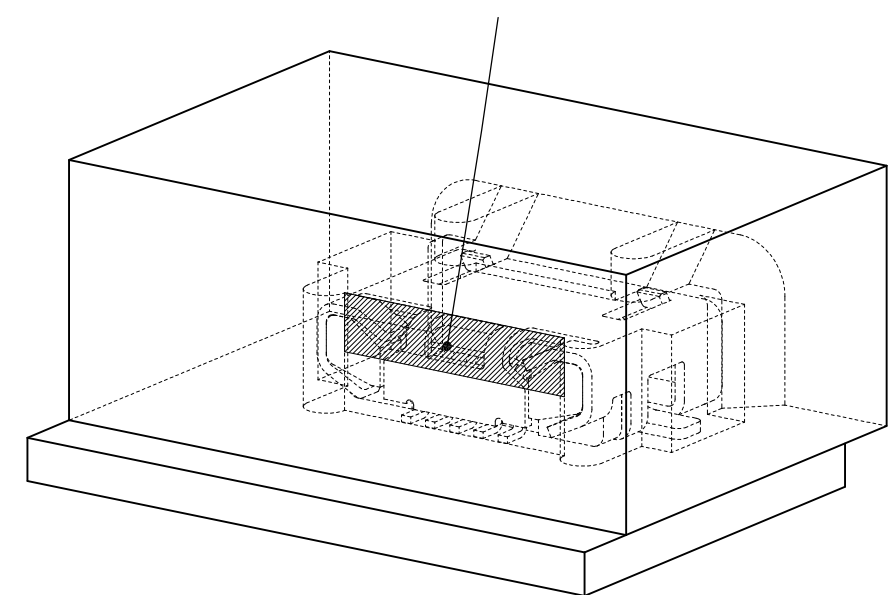
THIS DRAWING IS UNPUBLISHED. RELEASED FOR PUBLICATION APR , 2011.
 © COPYRIGHT 2011 By Tyco Electronics Japan G.K. ALL RIGHTS RESERVED.

LOC	DIST	REVISIONS 変更					
J	—	P	LTR	DESCRIPTION	DATE	DWN	APVD
		—		SEE SHEET 1	—	—	—

CONNECTOR INSERTION OPENING
(HOLD SHELL)



CONNECTOR BACK SIDE
(HOLD SHELL AND HOUSING)



GUIDE CASE FOR WRENCHING (REFERENCE)

THIS DRAWING IS A CONTROLLED DOCUMENT.		DWN	STE TE Connectivity			
DIMENSIONS: 単位: 耗 mm		CHK				
TOLERANCES UNLESS OTHERWISE SPECIFIED: 一般公差		APVD	NAME 名称 MICRO USB RECEPTACLE STANDARD 2DIP TYPE B FLANGELESS			
0 PLC ± - 1 PLC ± - 2 PLC ± - 3 PLC ± - 4 PLC ± - ANGLES ± -		PRODUCT SPEC 製品規格	SIZE	CAGE CODE	DRAWING NO 番号	RESTRICTED TO
MATERIAL 材料	FINISH 仕上	APPLICATION SPEC 取付適用規格	A3	00779	G-2174507	—
CUSTOMER DRAWING			WEIGHT	SCALE 尺度	SHEET 3 OF 3	REV A