



Chipsmall Limited consists of a professional team with an average of over 10 year of expertise in the distribution of electronic components. Based in Hongkong, we have already established firm and mutual-benefit business relationships with customers from,Europe,America and south Asia,supplying obsolete and hard-to-find components to meet their specific needs.

With the principle of “Quality Parts,Customers Priority,Honest Operation,and Considerate Service”,our business mainly focus on the distribution of electronic components. Line cards we deal with include Microchip,ALPS,ROHM,Xilinx,Pulse,ON,Everlight and Freescale. Main products comprise IC,Modules,Potentiometer,IC Socket,Relay,Connector.Our parts cover such applications as commercial,industrial, and automotives areas.

We are looking forward to setting up business relationship with you and hope to provide you with the best service and solution. Let us make a better world for our industry!



Contact us

Tel: +86-755-8981 8866 Fax: +86-755-8427 6832

Email & Skype: info@chipsmall.com Web: www.chipsmall.com

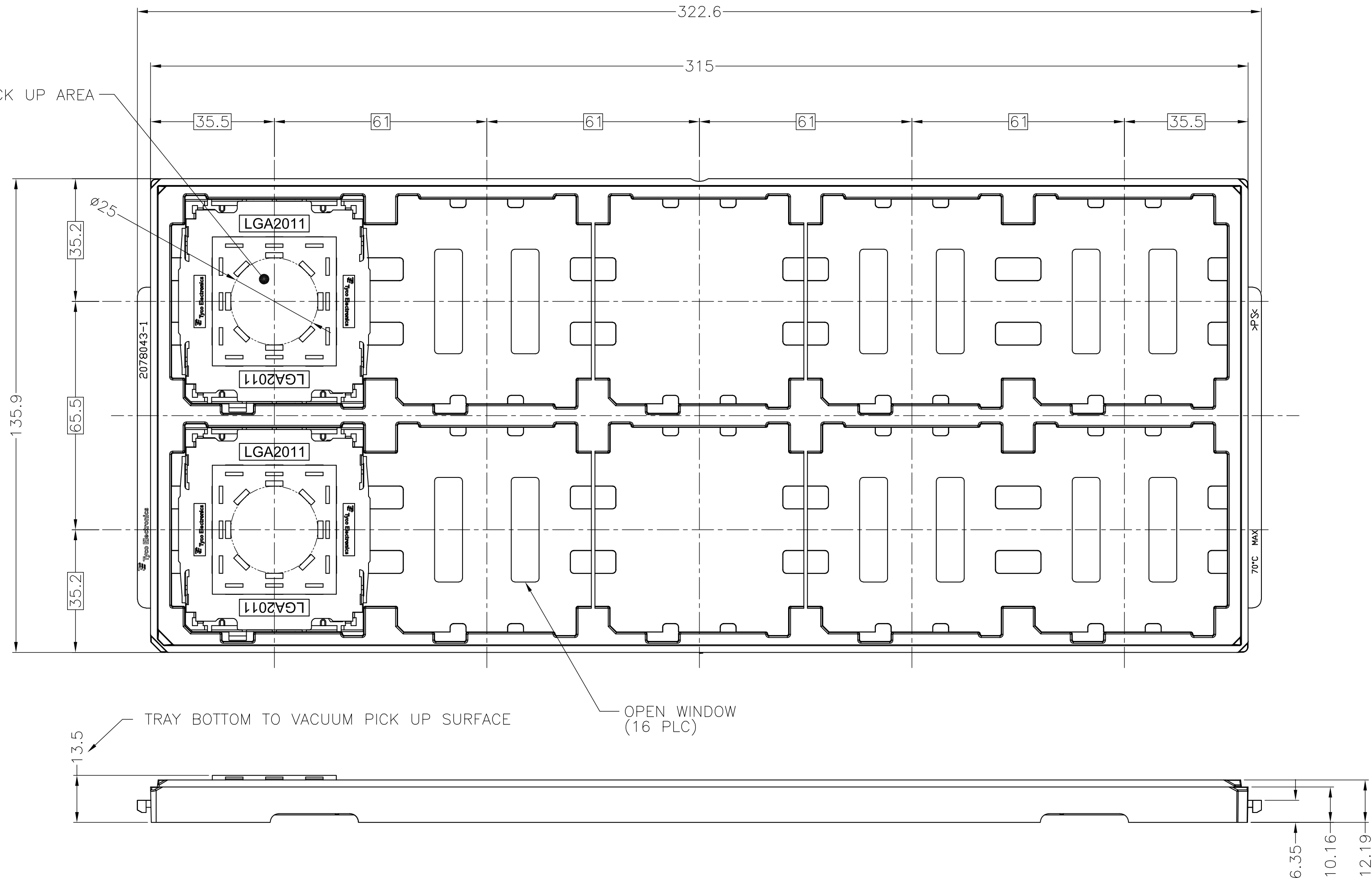
Address: A1208, Overseas Decoration Building, #122 Zhenhua RD., Futian, Shenzhen, China



THIS DRAWING IS UNPUBLISHED. RELEASED FOR PUBLICATION APR, 2011.
 © COPYRIGHT 2011 By Tyco Electronics Japan G.K. ALL RIGHTS RESERVED.

LOC	DIST	REVISIONS					
J	-	P	LTR	DESCRIPTION	DATE	DWN	APVD
		C1	REVISED		25MAR'15	J.W	C.W

VACUUM PICK UP AREA



TRAY BOTTOM TO VACUUM PICK UP SURFACE

OPEN WINDOW (16 PLC)

2174988-2	LGA2011-1	0.76 um MIN Au PL
2174988-1	LGA2011-1	0.38 um MIN Au PL
PART NUMBER	SOCKET NAME	DESCRIPTION

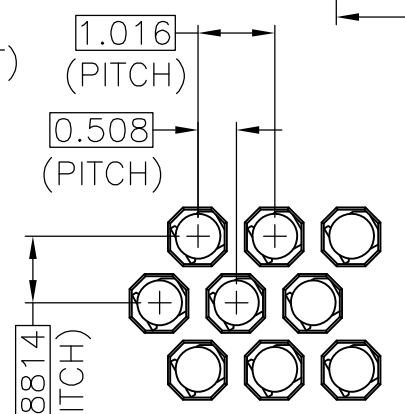
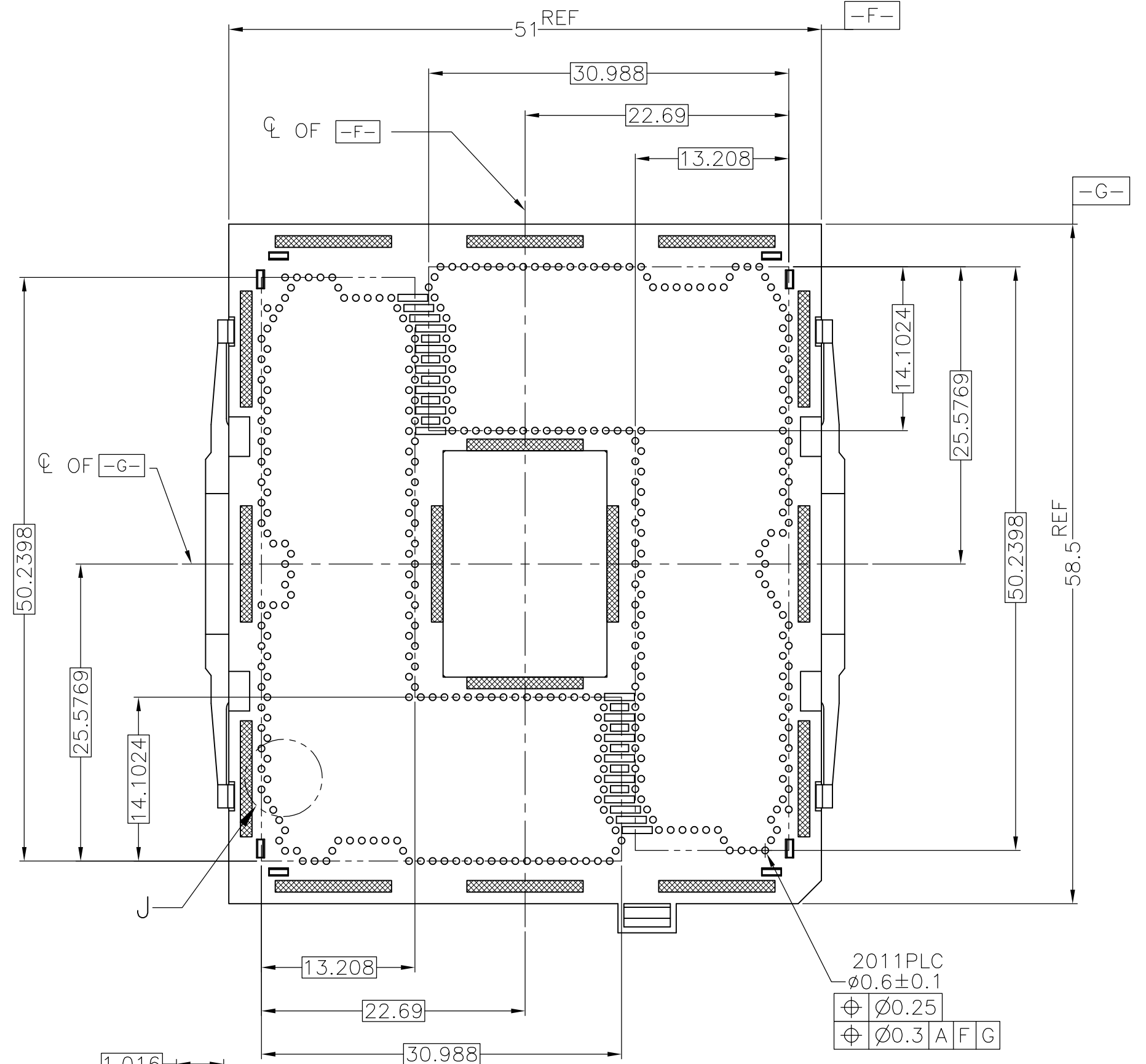
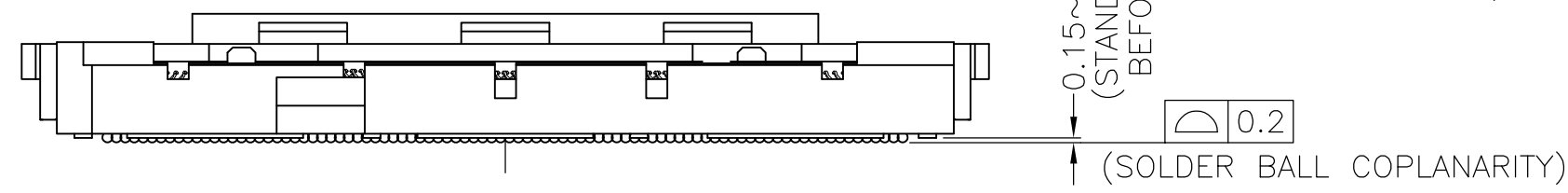
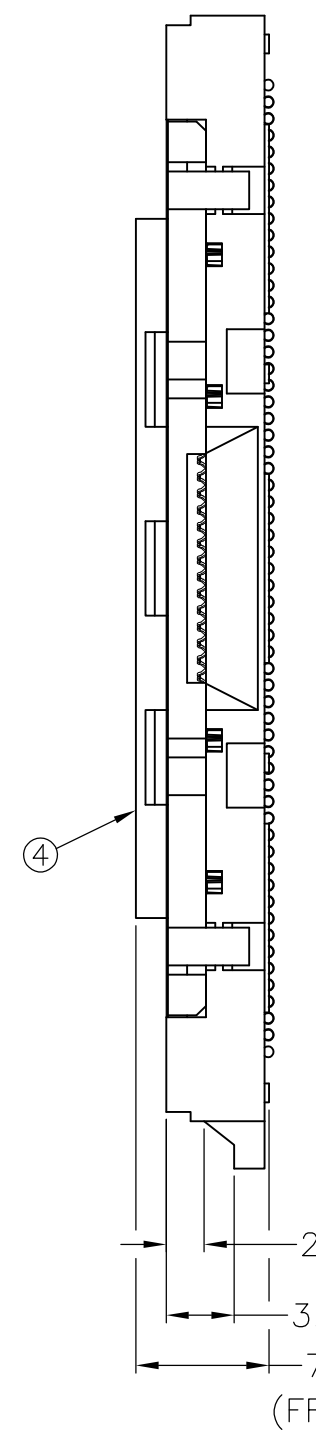
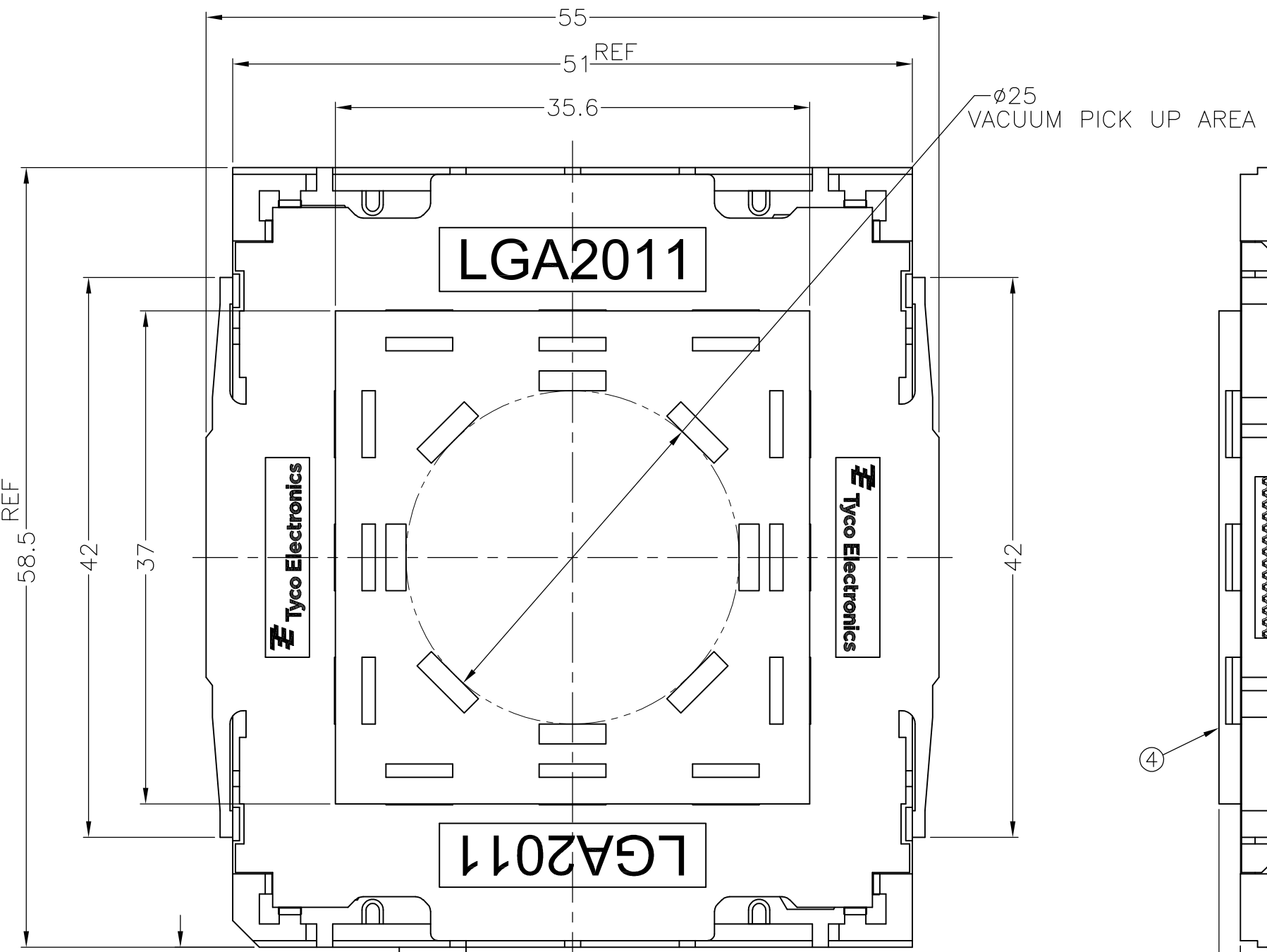
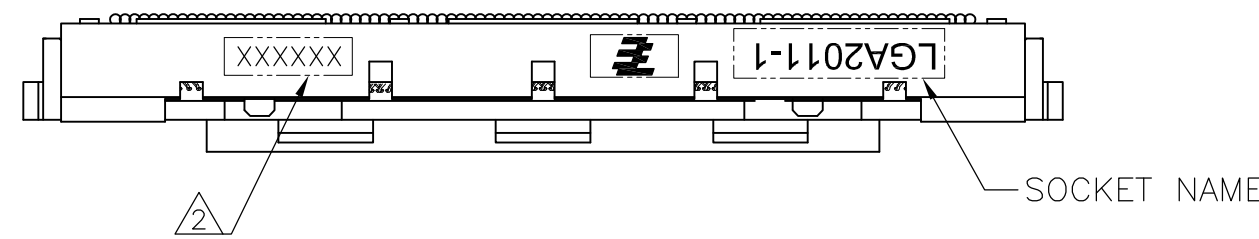
1. MATERIAL

- ① HOUSING : HIGH TEMP, THERMO-PLASTIC, UL94V-0, BLACK
 - ② CONTACT : COPPER ALLOY
FINISH : Au PL. AT CONTACT AREA ON OVERALL OVER Ni UNDER PL. 0.00127 MIN.
 - ③ SOLDER BALL : Sn/Ag/Cu
 - ④ CAP : HIGH TEMP. THERMO-PLASTIC, UL94V-0, BLACK
- △ INDICATED DATE CODE ON THE HSG
3. PACKAGE TYPE: HARD TRAY, BLUE

THIS DRAWING IS A CONTROLLED DOCUMENT.		DWN H.KAI 21NOV2011		
DIMENSIONS: 単位: 寸 mm		CHK H.TAGUCHI 21NOV2011		
TOLERANCES UNLESS OTHERWISE SPECIFIED: 一般公差		APVD T.NAKASHIMA 21NOV2011	NAME 名称	
0-PLC ± ±0.5 1-PLC ± ±0.5 2-PLC ± ±3° 3-PLC ± ± 4-PLC ± ± ANGLES ± ±		PRODUCT SPEC 製品規格 108-78750	SOCKET ASSY LGA2011-1	
MATERIAL 材料		APPLICATION SPEC 取付適用規格 114-5474	SIZE A2	CAGE CODE 00779
FINISH 仕上		WEIGHT 19.1g	DRAWING NO 番号 C=2174988	RESTRICTED TO —
		CUSTOMER DRAWING	SCALE 尺度 NTS	SHEET 1 OF 4
			REV C1	

THIS DRAWING IS UNPUBLISHED. RELEASED FOR PUBLICATION APR , 2011.
 © COPYRIGHT 2011 By Tyco Electronics Japan G.K. ALL RIGHTS RESERVED.

LOC	DIST	REVISIONS					
J	-	P	LTR	DESCRIPTION	DATE	DWN	APVD
		-	-	SEE SHEET 1	-	-	-



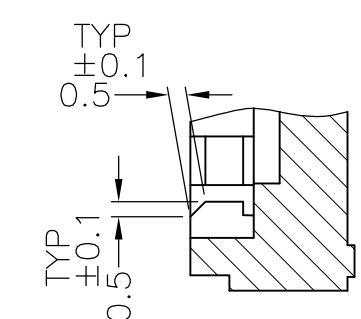
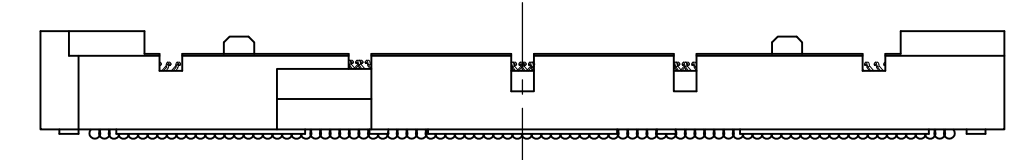
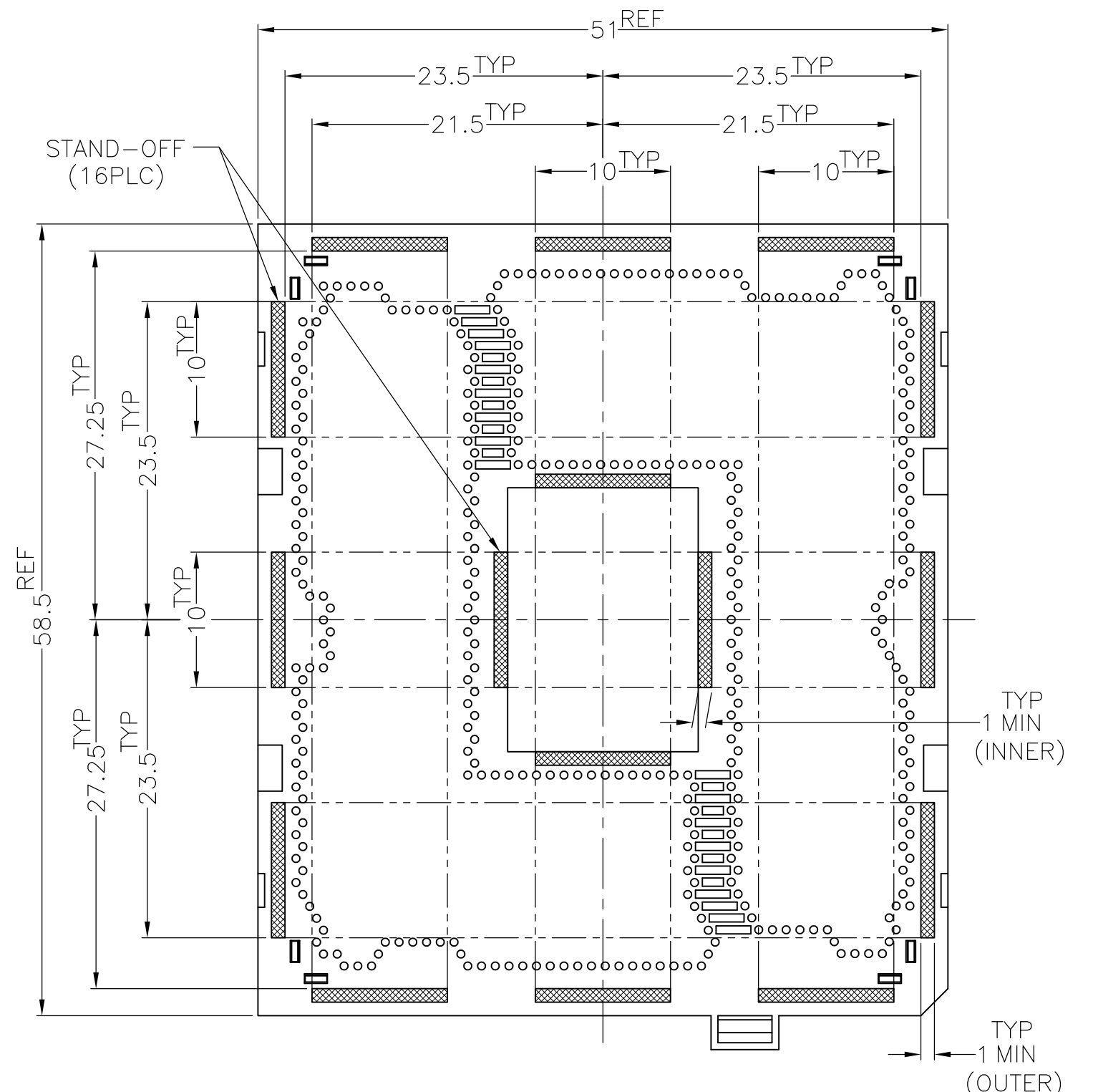
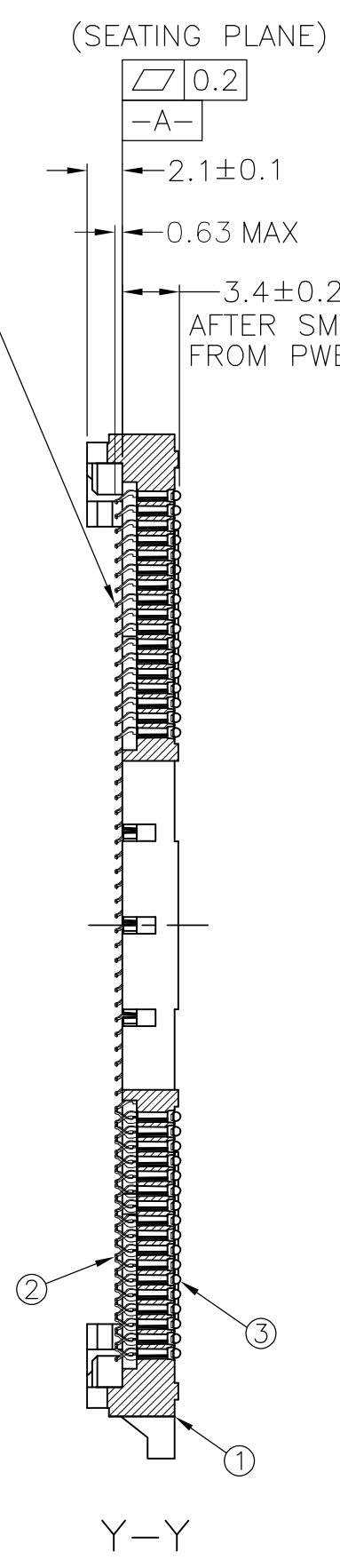
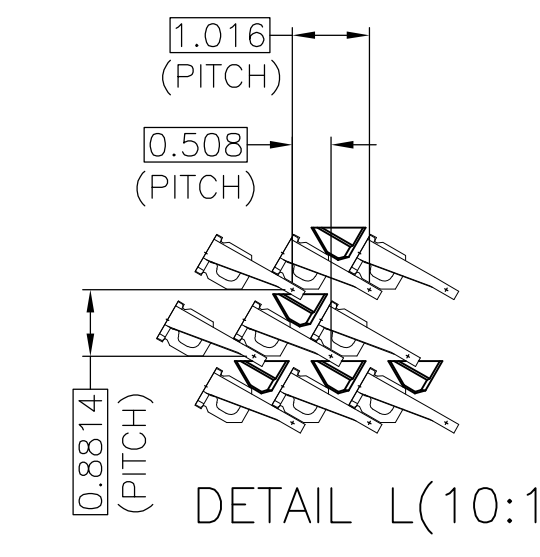
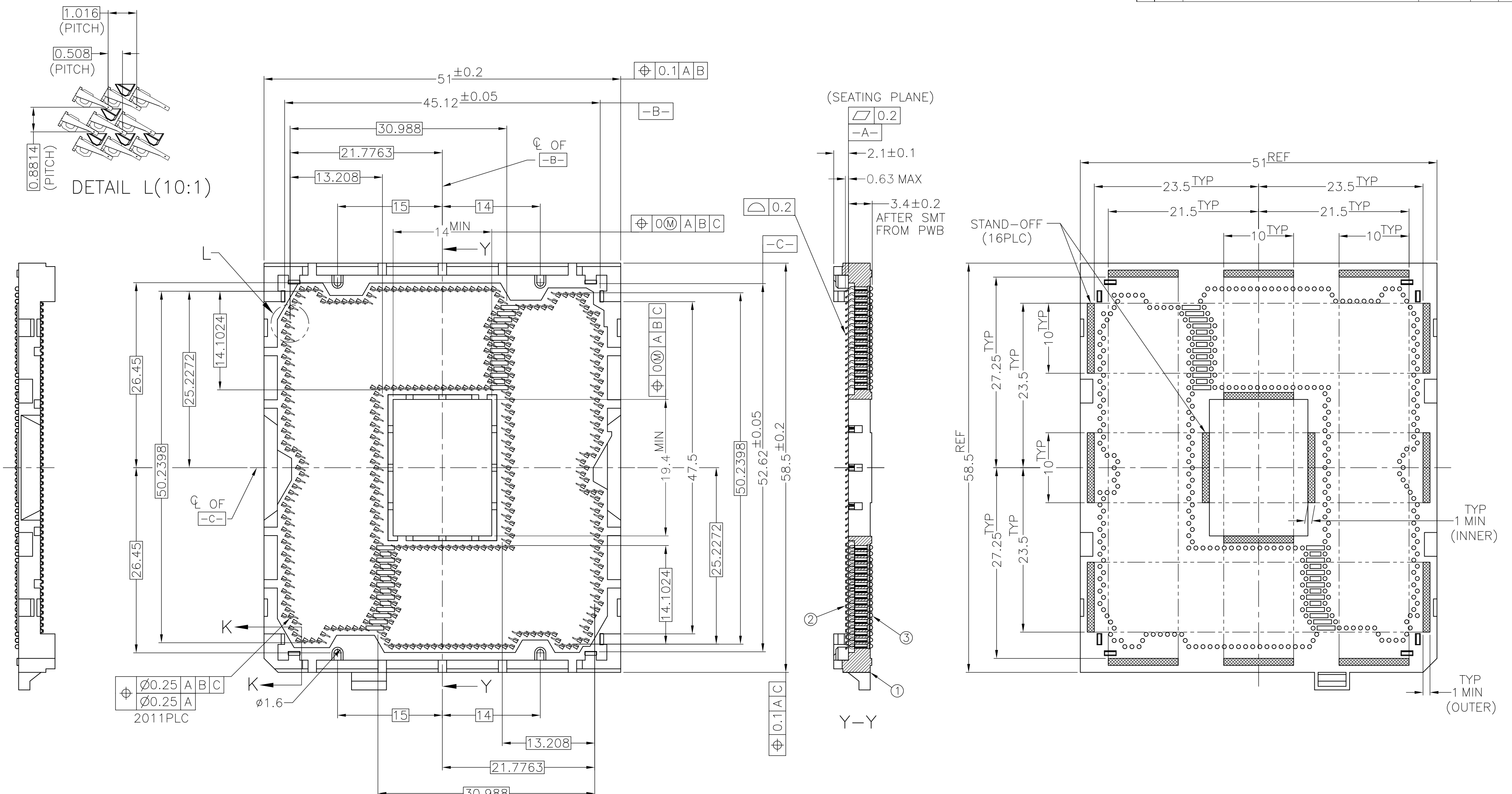
DETAIL J(10:1)

2011PLC
 Ø0.6±0.1
 ⊕ Ø0.25
 ⊕ Ø0.3 A F G

THIS DRAWING IS A CONTROLLED DOCUMENT.		DWN	-	TE Connectivity	
DIMENSIONS: 单位: 毫米 mm		CHK	-		
TOLERANCES UNLESS OTHERWISE SPECIFIED: 一般公差		APVD	-	NAME 名称	
① PLC ± ±0.3 ② PLC ± ±0.3 ③ PLC ± ±0.3 ④ PLC ± ±0.3 ANGLES ± ±		PRODUCT SPEC	-	SOCKET ASSY LGA2011-1	
MATERIAL 材料		APPLICATION SPEC	-	SIZE	A2
FINISH 仕上		WEIGHT	-	CAGE CODE	00779
		CUSTOMER DRAWING	-	DRAWING NO 番号	C=2174988
		SCALE	NTS	RESTRICTED TO	-
		SHEET	2 OF 4	REV	C1

THIS DRAWING IS UNPUBLISHED. RELEASED FOR PUBLICATION APR, 2011.
 © COPYRIGHT 2011 By Tyco Electronics Japan G.K. ALL RIGHTS RESERVED.

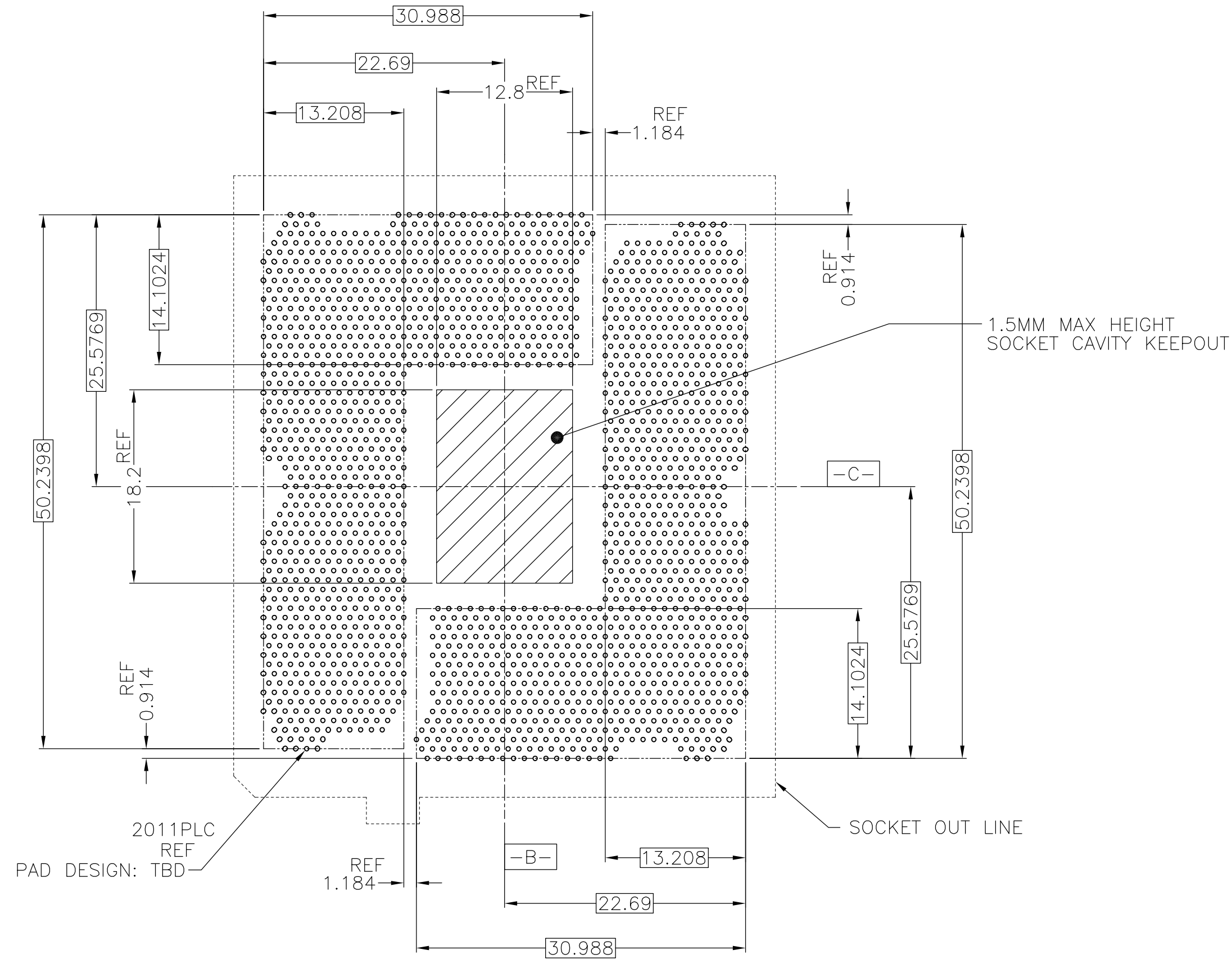
LOC		DIST		REVISIONS			
P	LTR	DATE	DWN	APVD	DESCRIPTION		
-	-	-	-	-	SEE SHEET 1		



THESE VIEWS DON'T SHOW CAP

THIS DRAWING IS A CONTROLLED DOCUMENT.		DWN	TE Connectivity	
DIMENSIONS: 単位: 寸 mm		CHK	SOCKET ASSY LGA2011-1	
TOLERANCES UNLESS OTHERWISE SPECIFIED: 一般公差		APVD	SIZE	RESTRICTED TO
0 PLG ± 0.3 1 PLG ± 0.3 2 PLG ± 0.3 3 PLG ± 0.3 4 PLG ± 0.3 ANGLES ± 0.5		PRODUCT SPEC 製品規格	CAGE CODE 00779	REV C1
MATERIAL 材料		APPLICATION SPEC 取付適用規格	DRAWING NO 番号 C=2174988	
FINISH 仕上		WEIGHT	SCALE 尺度 NTS	SHEET 3 OF 4
		CUSTOMER DRAWING		

LOC		DIST		REVISIONS			
P	LTR	DESCRIPTION	DATE	DWN	APVD		
-	-	SEE SHEET 1	-	-	-		



REFERENCE PATTERN LAYOUT

FOR GENERAL BOARD DESIGN, PLEASE REFER TO THE THERMAL AND MECHANICAL DESIGN GUIDELINES(TMDG) PROVIDED BY INTEL CORPORATION

THIS DRAWING IS A CONTROLLED DOCUMENT.		DWN	-	TE TE Connectivity	
DIMENSIONS: 单位: 毫米 mm		CHK	-		
TOLERANCES UNLESS OTHERWISE SPECIFIED: 一般公差		APVD	-	NAME 名称	
0-PLC ± ±0.3		PRODUCT SPEC 製品規格		SOCKET ASSY	
1-PLC ± ±3'		APPLICATION SPEC 取付適用規格		LGA2011-1	
2-PLC ± ±		SIZE	A2	CAGE CODE	00779
3-PLC ± ±		DRAWING NO 番号	C=2174988		RESTRICTED TO
4-PLC ± ±		WEIGHT	-		-
ANGLES ± ±		CUSTOMER DRAWING		SCALE 尺度	NTS
FINISH 仕上		SHEET		4	OF 4
		REV		C1	