



Chipsmall Limited consists of a professional team with an average of over 10 year of expertise in the distribution of electronic components. Based in Hongkong, we have already established firm and mutual-benefit business relationships with customers from,Europe,America and south Asia,supplying obsolete and hard-to-find components to meet their specific needs.

With the principle of “Quality Parts,Customers Priority,Honest Operation,and Considerate Service”,our business mainly focus on the distribution of electronic components. Line cards we deal with include Microchip,ALPS,ROHM,Xilinx,Pulse,ON,Everlight and Freescale. Main products comprise IC,Modules,Potentiometer,IC Socket,Relay,Connector.Our parts cover such applications as commercial,industrial, and automotives areas.

We are looking forward to setting up business relationship with you and hope to provide you with the best service and solution. Let us make a better world for our industry!



Contact us

Tel: +86-755-8981 8866 Fax: +86-755-8427 6832

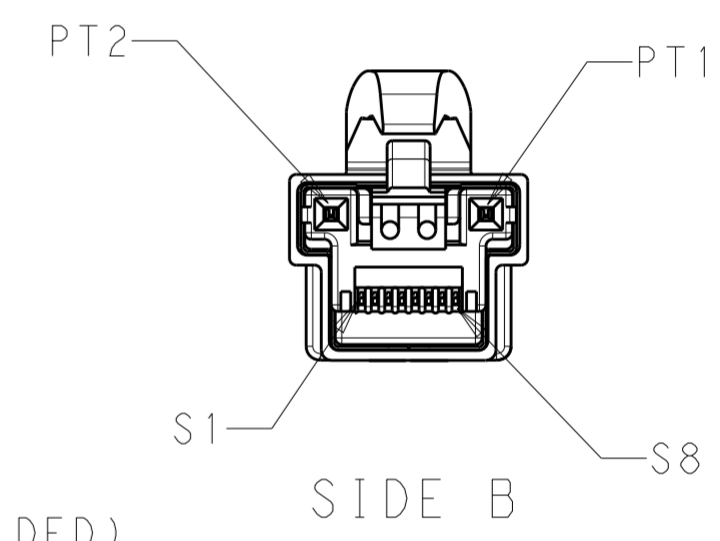
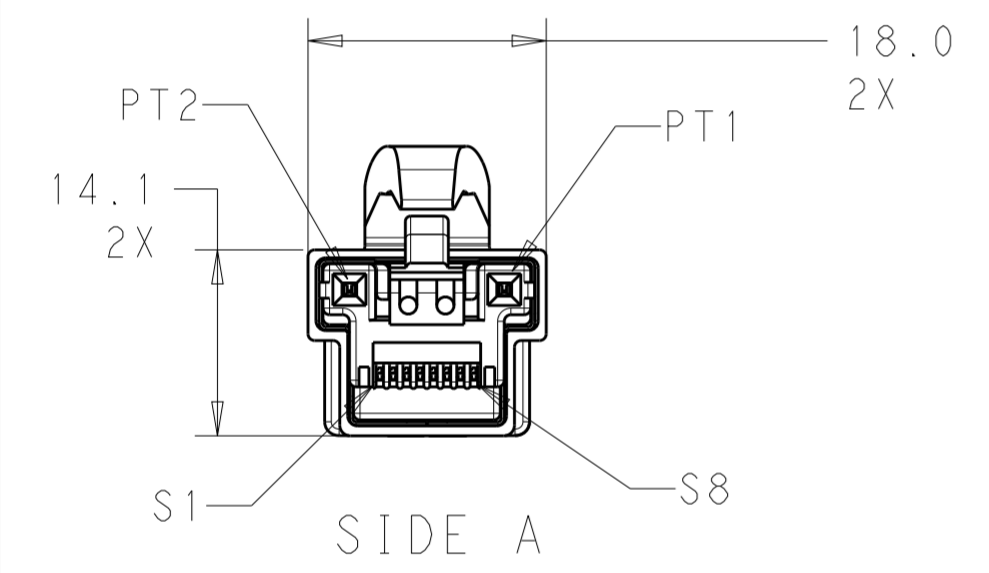
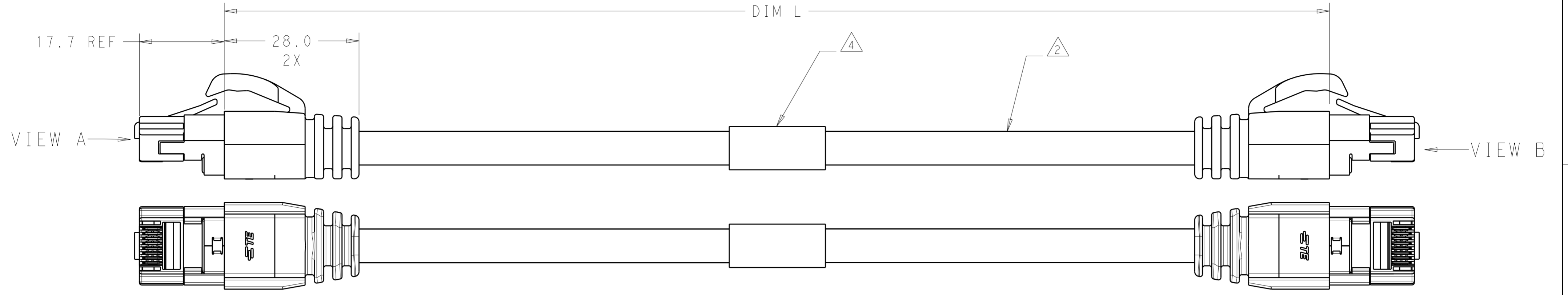
Email & Skype: info@chipsmall.com Web: www.chipsmall.com

Address: A1208, Overseas Decoration Building, #122 Zhenhua RD., Futian, Shenzhen, China



THIS DRAWING IS UNPUBLISHED. RELEASED FOR PUBLICATION 20
 © COPYRIGHT 20 BY - ALL RIGHTS RESERVED.

LOC		DIST		REVISIONS			
P	LTR	DESCRIPTION	DATE	DWN	APVD		
	8	GENERAL UPDATE	20MAR2014	MM	MM		
	9	UPDATED NOTE 2	12MAY2015	JS	MM		



NOTES:

- ① MATERIALS AND FINISH:
 - HOUSING: PC, COLOR: CLEAR
 - CONTACTS: COPPER ALLOY
FINISH: GOLD OVER NICKEL (SIGNAL CONTACTS)
GOLD OVER NICKEL (POWER CONTACTS)
 - CONNECTOR SHIELD: COPPER-ZINC ALLOY
FINISH: TIN OVER NICKEL
 - STRAIN RELIEF: TPV, COLOR: BLACK
- ② CABLE SPECIFICATION:
 - JACKET: PVC, COLOR: RAL9017 - BLACK, OD 6.50 ±0.15
 - SIGNAL CONDUCTORS: 4 PAIR, 24AWG STRANDED (NON-SHIELDED)
 - POWER CONDUCTORS: QTY 2, 18AWG STRANDED
 - MINIMUM BEND RADIUS: 40MM
 - -20 TO 80°C TEMPERATURE RANGE
 - UL444/CMR CONSTRUCTION

3. MUST COMPLY WITH DIRECTIVE 2002/95/EC (ROHS)

④ LABEL CONTENT AS FOLLOWS:

TE P/N YYWW
 YY=YEAR
 WW=WEEK

5. CAT5e PERFORMANCE NOT ATTAINABLE IN CERTAIN APPLICATIONS DUE TO NON-SHIELDED SIGNAL CONDUCTORS WITHIN CABLE

2500.0±250.0	2178127-4
10000.0±100.0	2178127-3
5000.0±50.0	2178127-2
2000.0±20.0	2178127-1
DIM "L"	PART NO.

SIGNAL WIRING DETAILS			
	COLOR	SIDE A	SIDE B
PAIR 2	WHITE/ORANGE STRIPE	1	1
	ORANGE	2	2
PAIR 3	WHITE/GREEN STRIPE	3	3
	BLUE	4	4
PAIR 1	WHITE/BLUE STRIPE	5	5
	GREEN	6	6
PAIR 4	WHITE/BROWN STRIPE	7	7
	BROWN	8	8

POWER CABLE CONNECTION			
	COLOR	SIDE A	SIDE B
	BLACK	PT1	PT1
	RED	PT2	PT2

THIS DRAWING IS A CONTROLLED DOCUMENT.		DWN C. DAILY 18MAY2012	TE Connectivity	
DIMENSIONS: mm		CHK M. MOSTOLLER 18MAY2012		
TOLERANCES UNLESS OTHERWISE SPECIFIED: 0 PLC ± 1 PLC ±0.2 2 PLC ±0.13 3 PLC ± 4 PLC ± ANGLES ±3° FINISH		APVD - PRODUCT SPEC 108-64022 APPLICATION SPEC 114-32099 WEIGHT -	NAME CABLE ASSEMBLY, CLOUDSPLITTER UNSHIELDED CABLE	
MATERIAL ①		Customer Drawing	SIZE A200779	DRAWING NO. C-2178127
		SCALE 7:4	SHEET 1 OF 1	REV 9