



Chipsmall Limited consists of a professional team with an average of over 10 year of expertise in the distribution of electronic components. Based in Hongkong, we have already established firm and mutual-benefit business relationships with customers from,Europe,America and south Asia,supplying obsolete and hard-to-find components to meet their specific needs.

With the principle of "Quality Parts,Customers Priority,Honest Operation,and Considerate Service",our business mainly focus on the distribution of electronic components. Line cards we deal with include Microchip,ALPS,ROHM,Xilinx,Pulse,ON,Everlight and Freescale. Main products comprise IC,Modules,Potentiometer,IC Socket,Relay,Connector.Our parts cover such applications as commercial,industrial, and automotives areas.

We are looking forward to setting up business relationship with you and hope to provide you with the best service and solution. Let us make a better world for our industry!



Contact us

Tel: +86-755-8981 8866 Fax: +86-755-8427 6832

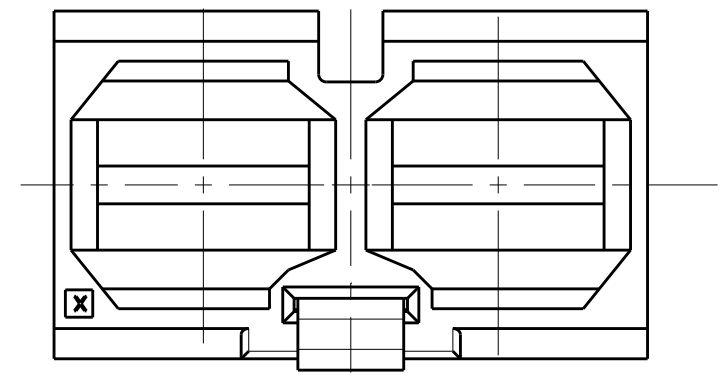
Email & Skype: info@chipsmall.com Web: www.chipsmall.com

Address: A1208, Overseas Decoration Building, #122 Zhenhua RD., Futian, Shenzhen, China

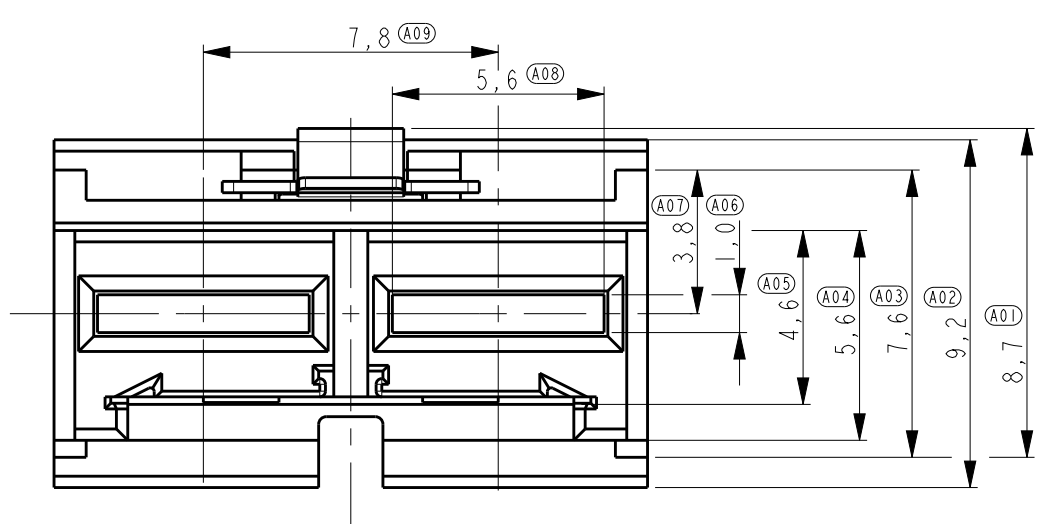
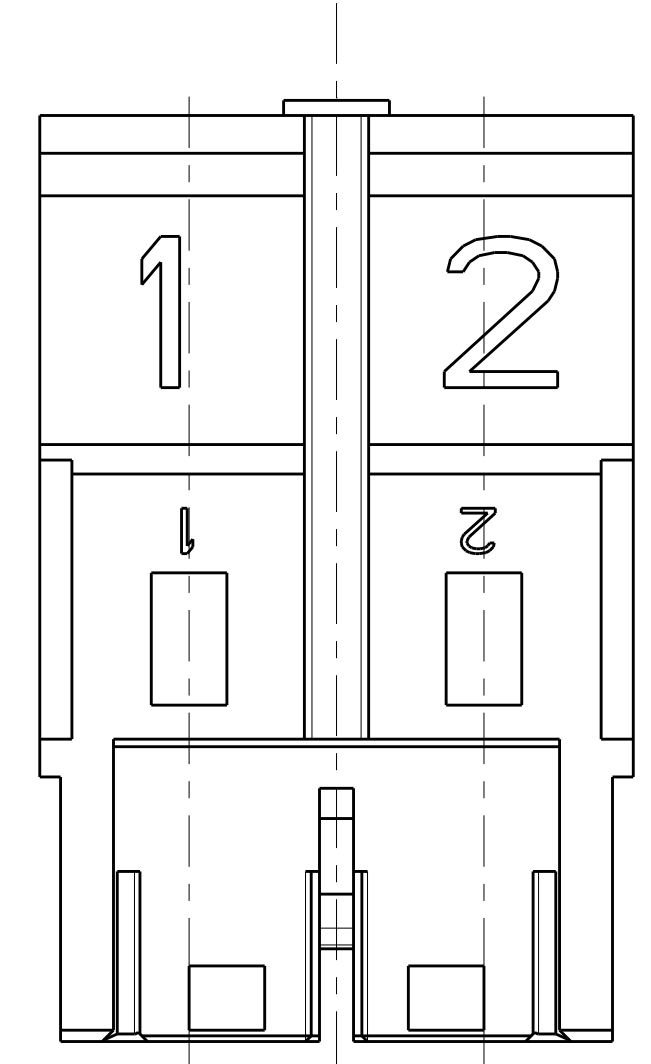
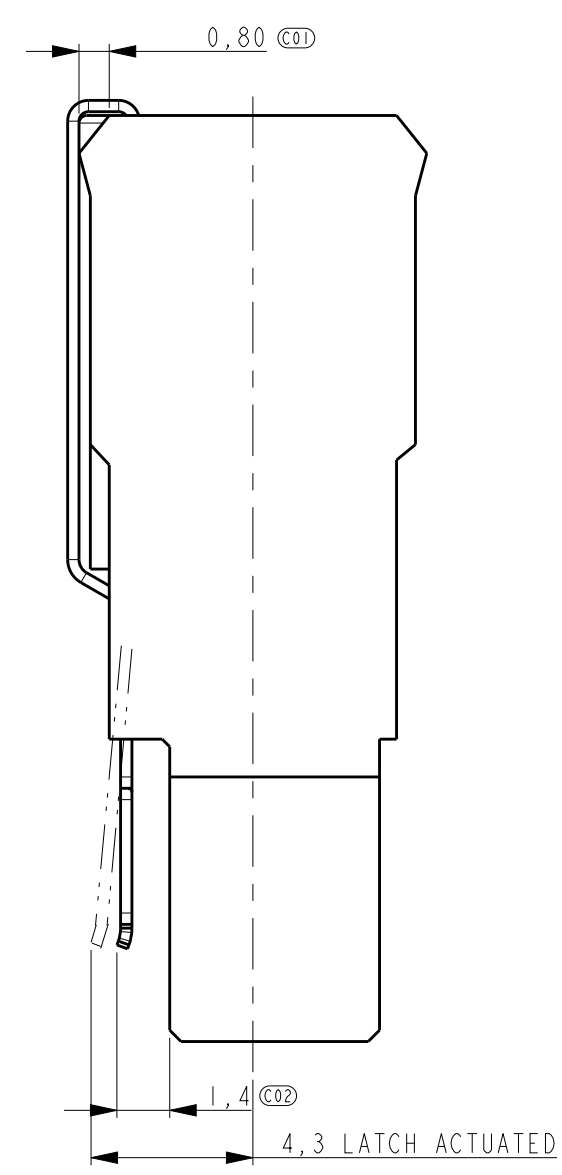
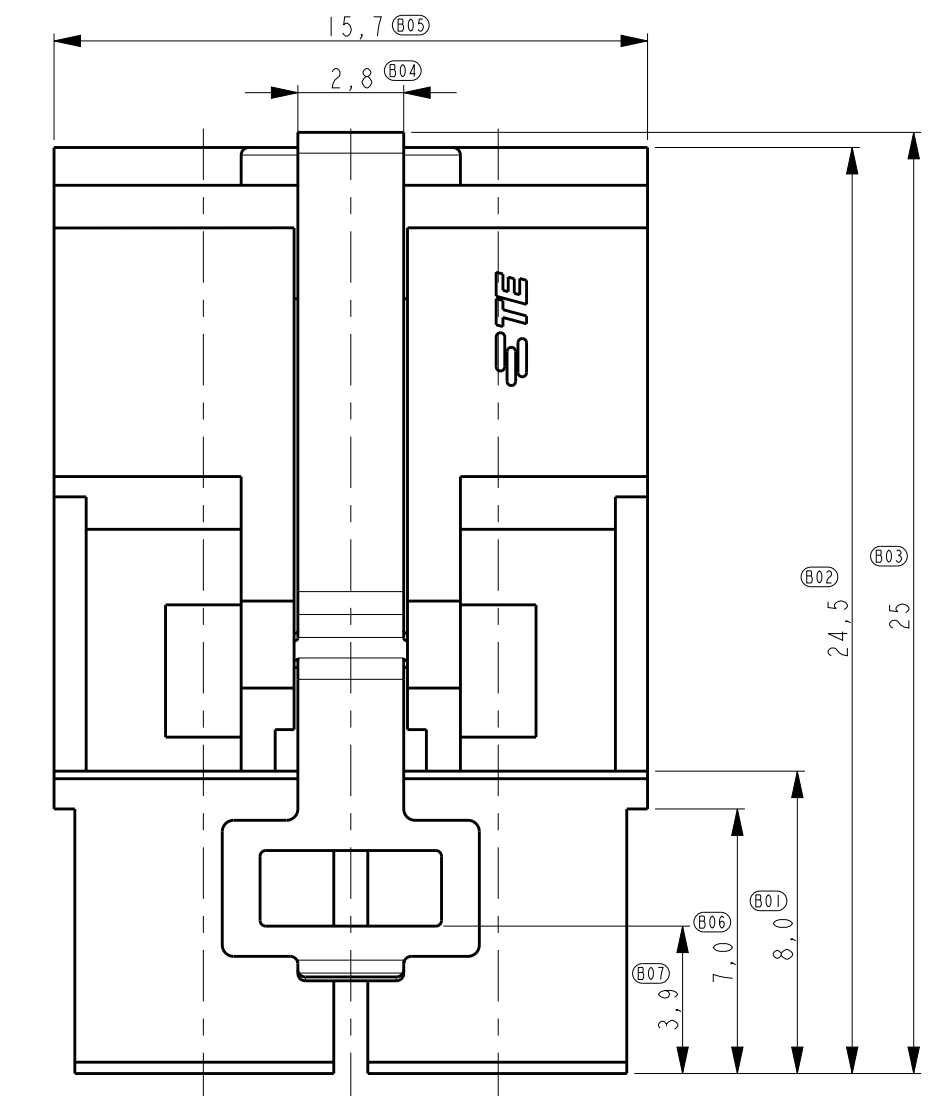


THIS DRAWING IS UNPUBLISHED. RELEASED FOR PUBLICATION
 © COPYRIGHT - TE CONNECTIVITY ALL RIGHTS RESERVED.

LOC		DIST		REVISIONS			
P	LTR	DESCRIPTION	DATE	DWN	APVD		
	A	INITIAL RELEASE	28SEP2011	PS	RRP		
	AI	REVISE PER ECO-15-017811	11DEC2015	SZ	SZ		
	B	REV PER ECO-16-014059	09JAN2017	WY	SZ		



NOTES:
 1 USE FOR (SILVER PLATED) STANDARD POWER TIMER CONTACTS .
 FOR CONTACTS PARTNUMBERS SEE DWG. C-1355048 VERSION A
 ALLOWED MAX WIRE SIZE 6 mm².



2178186-4

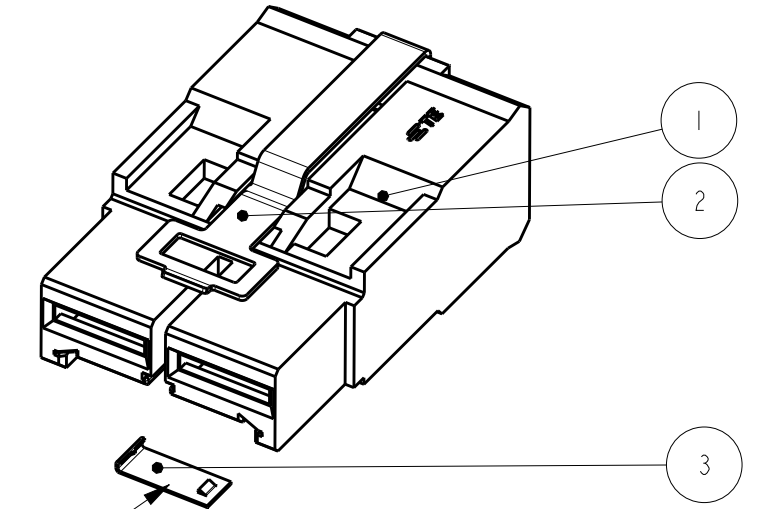
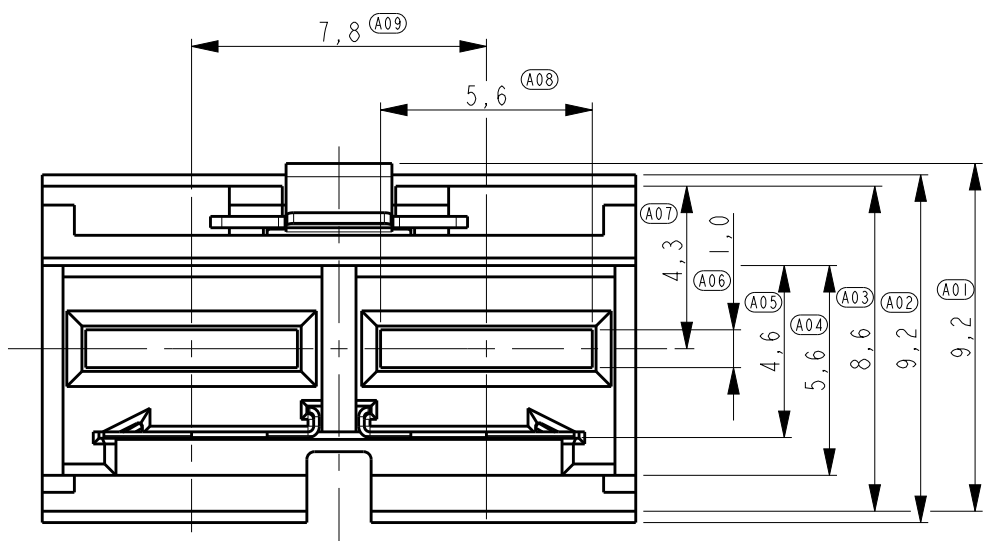
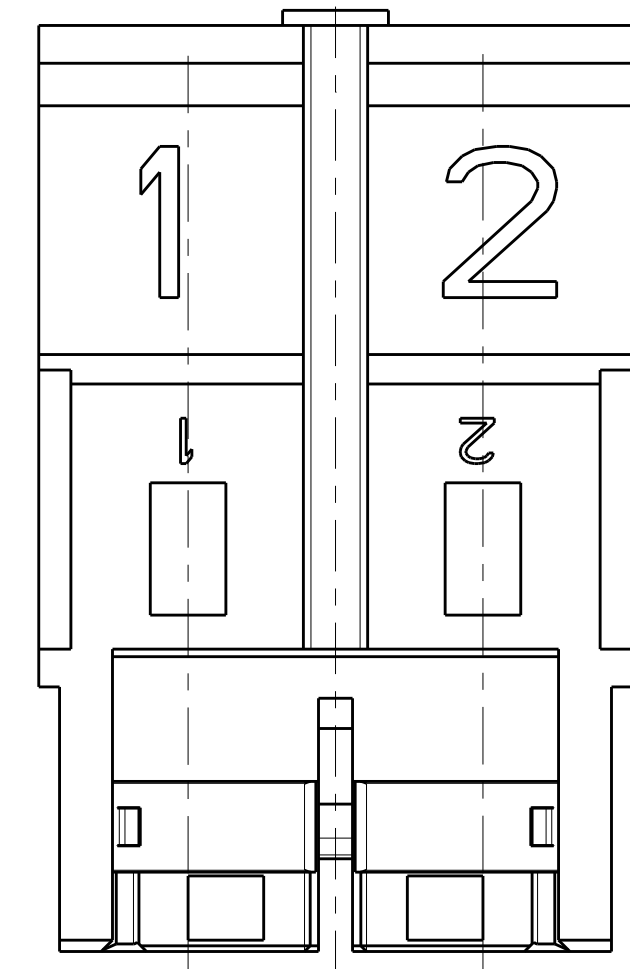
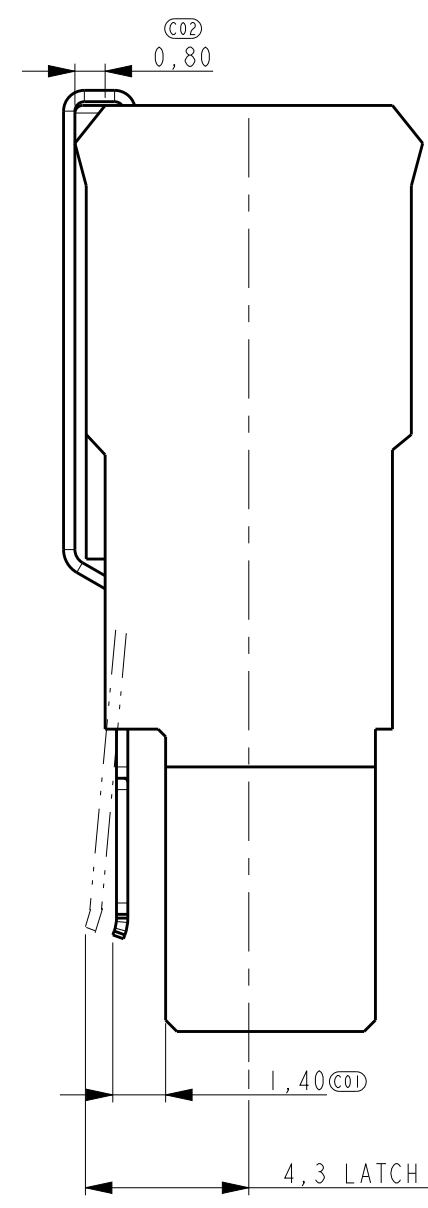
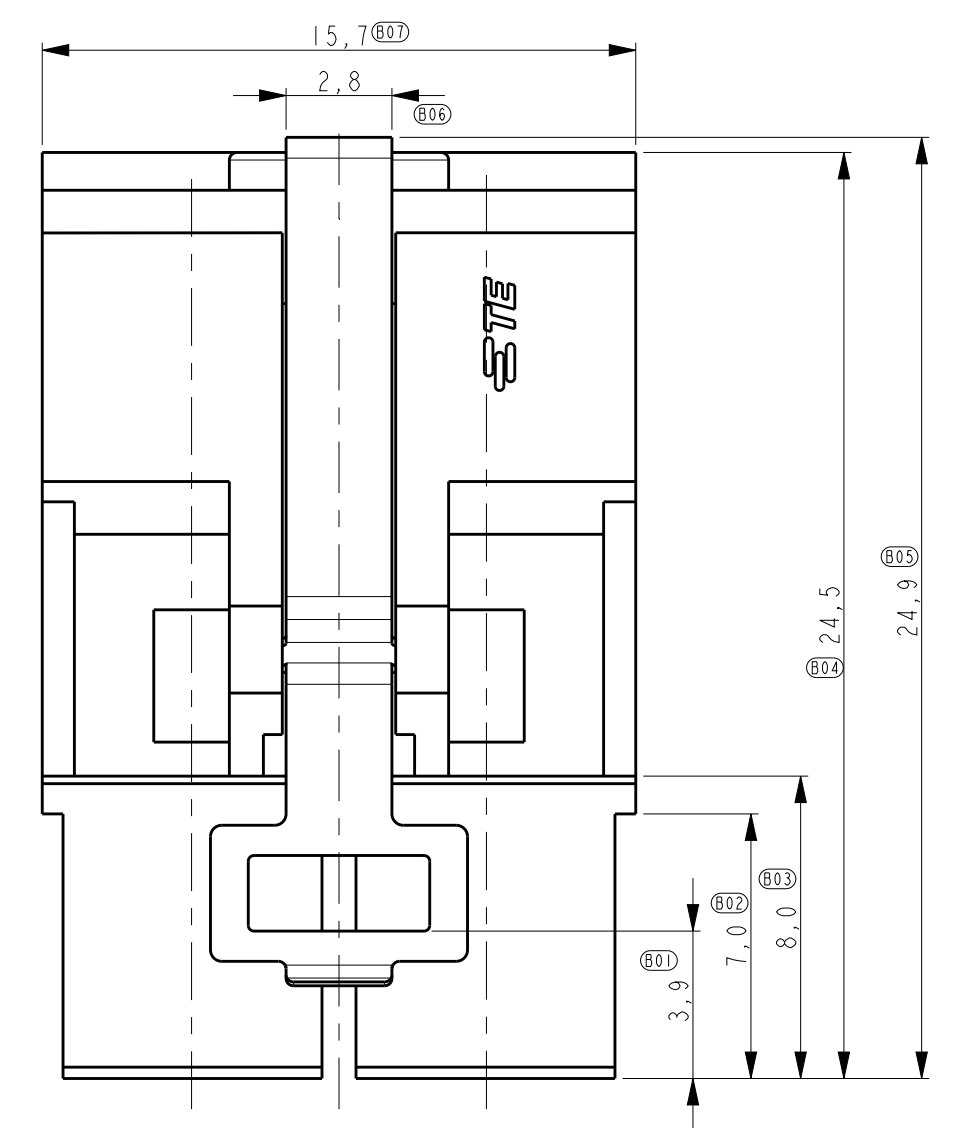
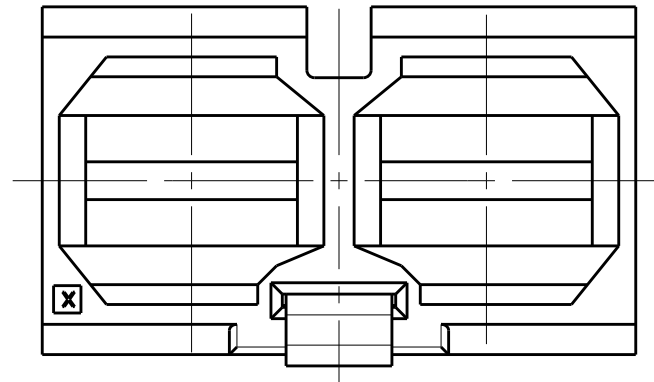
QTY	DESCRIPTION	MATERIAL	FINISH	ITEM
1	HOUSING LATCH	PA GF UL94V-0 STAINLESS STEEL	NA	1

THIS DRAWING IS A CONTROLLED DOCUMENT.

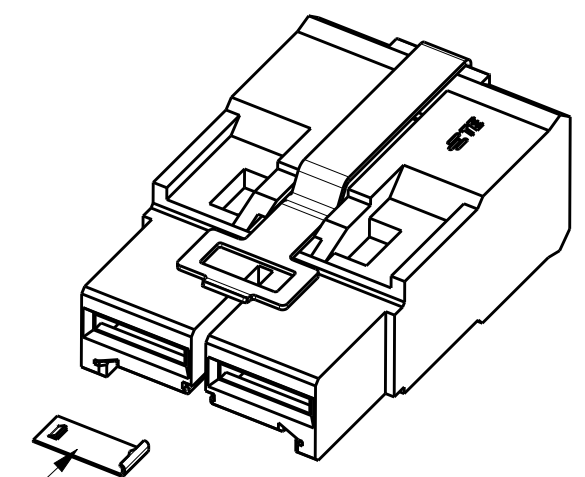
DWN Praduth 28Sep2011	 TE Connectivity ELCON Mini, 2-position cable connector metal latch, 6mm ² max. wire	
CHK Praduth 28Sep2011		
APVD Rajendra Pai		
NAME Rajendra Pai		
PRODUCT SPEC 108-19346	SIZE CAGE CODE DRAWING NO RESTRICTED TO	
APPLICATION SPEC 114-19110	A2 00779 C- 2178186	
MATERIAL FINISH	WEIGHT -	
CUSTOMER DRAWING		SCALE 5:1 SHEET 1 OF 2 REV B

THIS DRAWING IS UNPUBLISHED. RELEASED FOR PUBLICATION
 © COPYRIGHT - TE CONNECTIVITY ALL RIGHTS RESERVED.

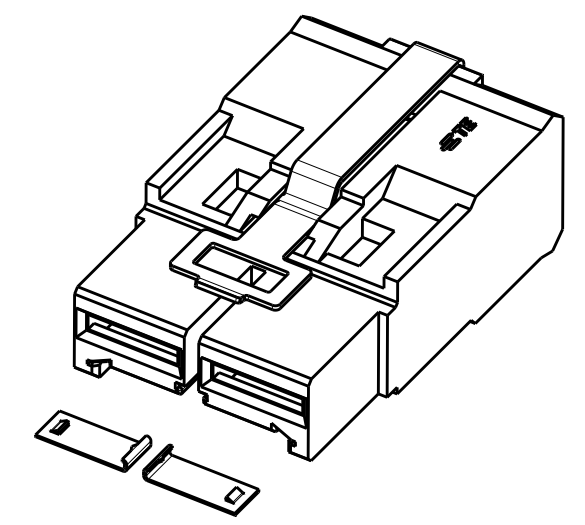
LOC	DIST	REVISIONS			
P	LTR	DESCRIPTION	DATE	DWN	APVD
		SEE SHEET 1			



AT THE RIGHT SIDE 2178186-1



AT THE LEFT SIDE 2178186-2



2178186-3

NOTES:

- USE FOR (SILVER PLATED) STANDARD POWER TIMER CONTACTS. FOR CONTACTS PARTNUMBERS SEE DWG. C-1355048 VERSION A ALLOWED MAX WIRE SIZE 6 mm².
- LOOSE PIECE PART NUMBER ITEM 2: 1982298-2.

QTY	QTY	QTY	DESCRIPTION	MATERIAL	FINISH	ITEM
2	1	1	CONTACT	COPPER ALLOY	0.8µm Au MIN IN CONTACT AREA OVER 1.2µm Ni UNDERLAYER OVERALL	2
1	1	1	HOUSING LATCH	PA GF UL94V-0 STAINLESS STEEL	NA	1

THIS DRAWING IS A CONTROLLED DOCUMENT.

DWN Praduth 28Sep2011	TE Connectivity	
CHK Praduth 28Sep2011	ELCON Mini, 2-position cable connector metal latch, 6mm ² max. wire	
APVD Rajendra Pai	SIZE A2	CAGE CODE 00779
PRODUCT SPEC -	DRAWING NO. 2178186	RESTRICTED TO -
APPLICATION SPEC -	SCALE 5:1	SHEET 2 OF 2
WEIGHT -	CUSTOMER DRAWING	REV B