



Chipsmall Limited consists of a professional team with an average of over 10 year of expertise in the distribution of electronic components. Based in Hongkong, we have already established firm and mutual-benefit business relationships with customers from,Europe,America and south Asia,supplying obsolete and hard-to-find components to meet their specific needs.

With the principle of “Quality Parts,Customers Priority,Honest Operation,and Considerate Service”,our business mainly focus on the distribution of electronic components. Line cards we deal with include Microchip,ALPS,ROHM,Xilinx,Pulse,ON,Everlight and Freescale. Main products comprise IC,Modules,Potentiometer,IC Socket,Relay,Connector.Our parts cover such applications as commercial,industrial, and automotives areas.

We are looking forward to setting up business relationship with you and hope to provide you with the best service and solution. Let us make a better world for our industry!



Contact us

Tel: +86-755-8981 8866 Fax: +86-755-8427 6832

Email & Skype: info@chipsmall.com Web: www.chipsmall.com

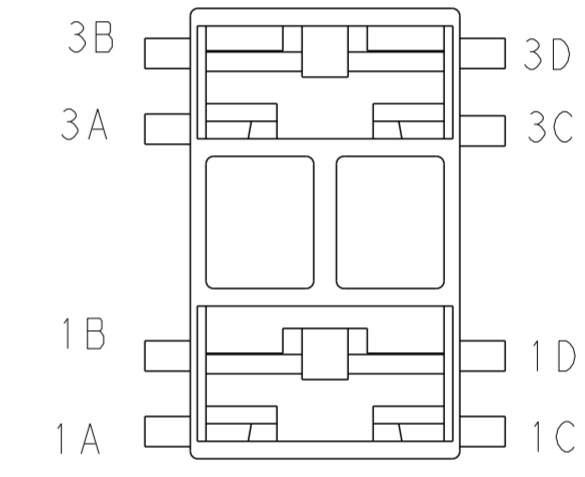
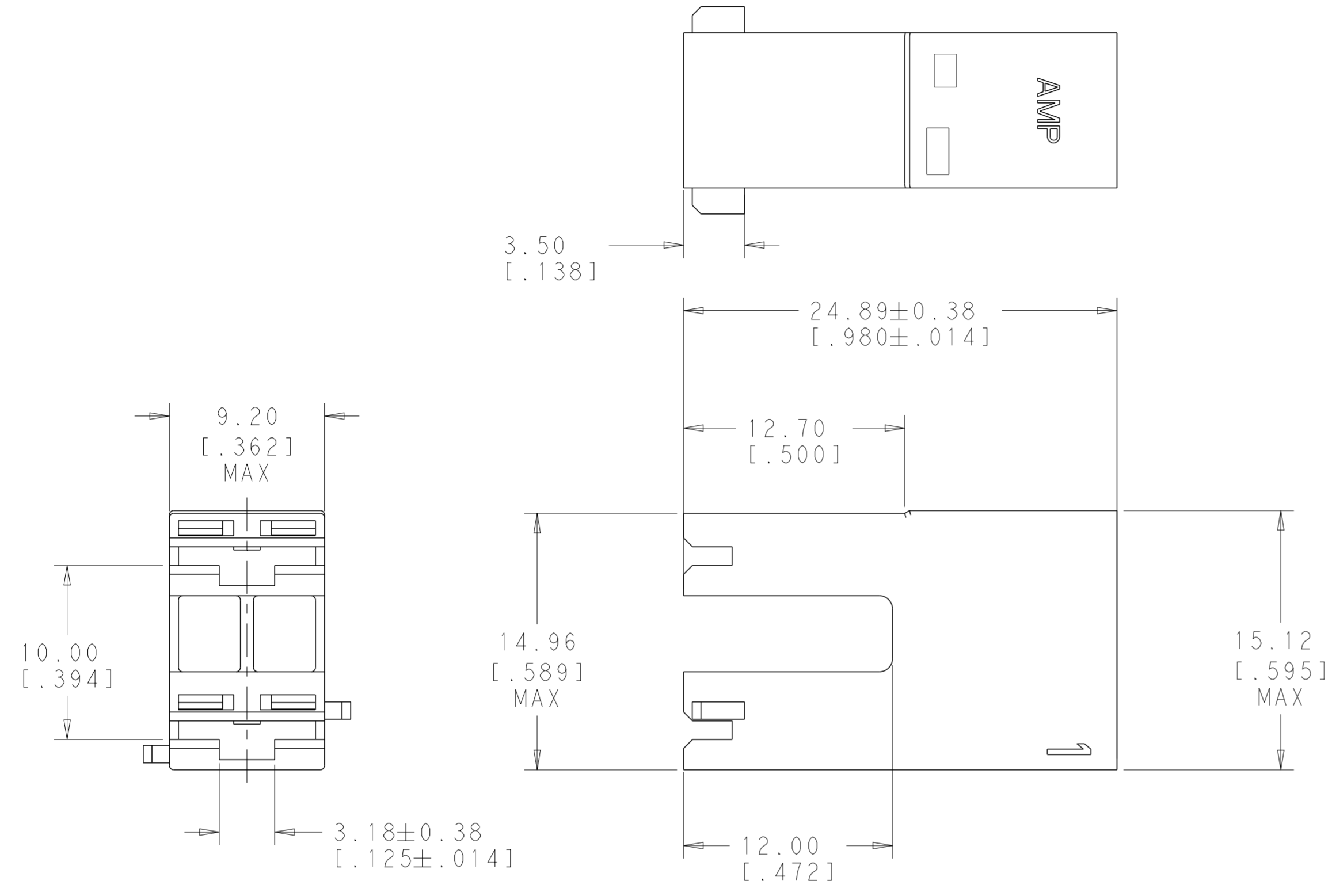
Address: A1208, Overseas Decoration Building, #122 Zhenhua RD., Futian, Shenzhen, China



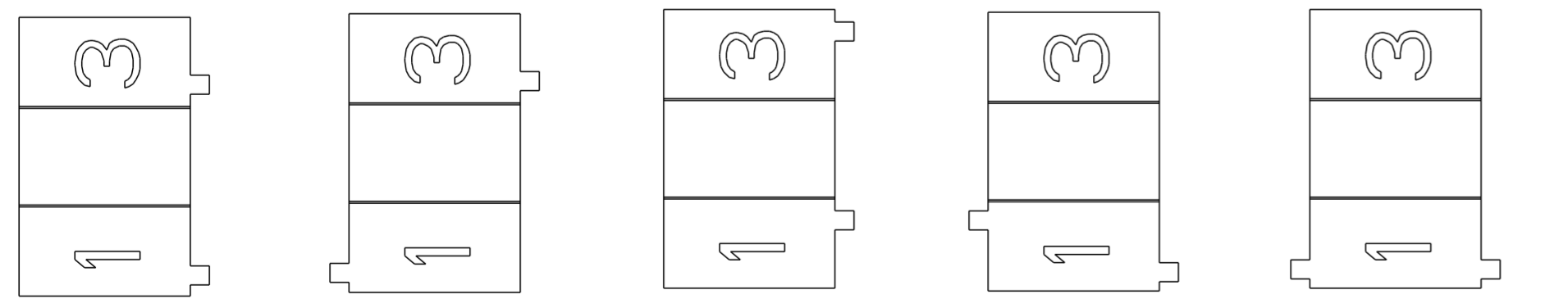
THIS DRAWING IS UNPUBLISHED. RELEASED FOR PUBLICATION 2012
 © COPYRIGHT 2012 BY TE CONNECTIVITY ALL RIGHTS RESERVED.

REVISIONS						
LOC	DIST	P	LTR	DESCRIPTION	DATE	APVD
-	-	E		REVISED PER ECR-18-004971	17APR2018	MD FL

- 1 ACCORDING TO IEC 60335-1, GWEPT 750°C WITHOUT FLAME
- 2 PRELIMINARY - NOT FOR PRODUCTION
- 3 DELETED NOTE
- 4 DELETED NOTE
- 5 ACCEPTS RECEPTACLES 2238135, 2238136, 1217378, 1217094 AND 1217095



SPECIAL REAR VIEW THAT MATES WITH THE HEADER VIEWS BELOW SHOWING THE KEYING & POLARIZATION



2178234-1 5-2178234-1
 2178234-2 5-2178234-2
 2178234-3 5-2178234-3
 2178234-4 5-2178234-4
 2178234-5 5-2178234-5

HEADER VIEWS

1	1C	1A	BLUE	5-2178234-5
1	1C	1B	BLACK	5-2178234-4
1	1D, 3D	NONE	NATURAL	5-2178234-3
1	3C	1A	YELLOW	5-2178234-2
1	1C, 3C	NONE	GREEN	5-2178234-1
	1C	1A	BLUE	2178234-5
	1C	1B	BLACK	2178234-4
	1D, 3D	NONE	NATURAL	2178234-3
	3C	1A	YELLOW	2178234-2
	1C, 3C	NONE	GREEN	2178234-1
	KEYING FEATURE	POLARIZATION FEATURE	COLOR	PART NUMBER

THIS DRAWING IS A CONTROLLED DOCUMENT.

DWN: M. DIDONATO 28MAR2018
 CHK: F. LUPO 28MAR2018
 APVD: R. ROBONE 28MAR2018

TE Connectivity

HOUSING, RECEPT, POSI-LOCK MK III, 6.35 [.250] SERIES, 3 POSITION, 2 CIRCUIT

SIZE: A2 CAGE CODE: 00779 DRAWING NO: C-2178234 RESTRICTED TO: -

MATERIAL: NYLON TOLERANCES UNLESS OTHERWISE SPECIFIED: SEE TABLE WEIGHT: - SCALE: 4:1 SHEET 1 OF 1 REV E