



Chipsmall Limited consists of a professional team with an average of over 10 year of expertise in the distribution of electronic components. Based in Hongkong, we have already established firm and mutual-benefit business relationships with customers from,Europe,America and south Asia,supplying obsolete and hard-to-find components to meet their specific needs.

With the principle of “Quality Parts,Customers Priority,Honest Operation,and Considerate Service”,our business mainly focus on the distribution of electronic components. Line cards we deal with include Microchip,ALPS,ROHM,Xilinx,Pulse,ON,Everlight and Freescale. Main products comprise IC,Modules,Potentiometer,IC Socket,Relay,Connector.Our parts cover such applications as commercial,industrial, and automotives areas.

We are looking forward to setting up business relationship with you and hope to provide you with the best service and solution. Let us make a better world for our industry!



Contact us

Tel: +86-755-8981 8866 Fax: +86-755-8427 6832

Email & Skype: info@chipsmall.com Web: www.chipsmall.com

Address: A1208, Overseas Decoration Building, #122 Zhenhua RD., Futian, Shenzhen, China



THIS DRAWING IS UNPUBLISHED. RELEASED FOR PUBLICATION
 © COPYRIGHT - y ALL RIGHTS RESERVED.

LOC		DIST		REVISIONS			
P	LTR	DESCRIPTION	DATE	DWN	APVD		
A		ECR-12-003914	29FEB2012	GG	RRP		

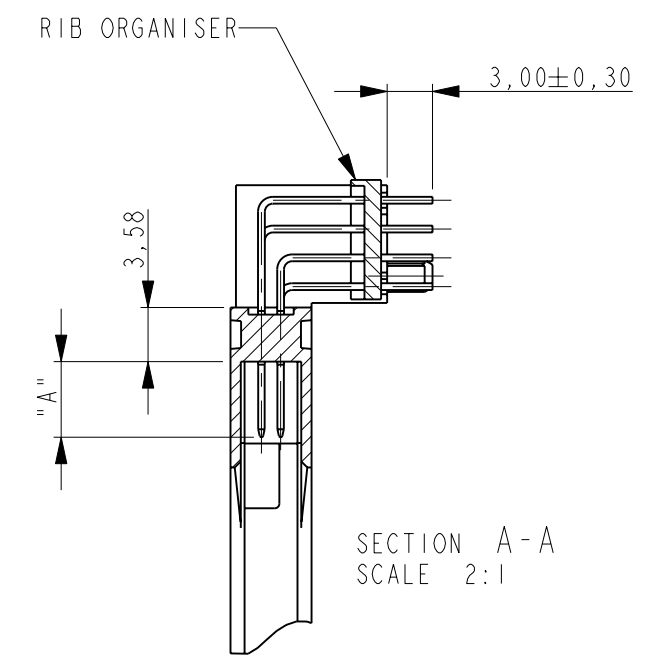
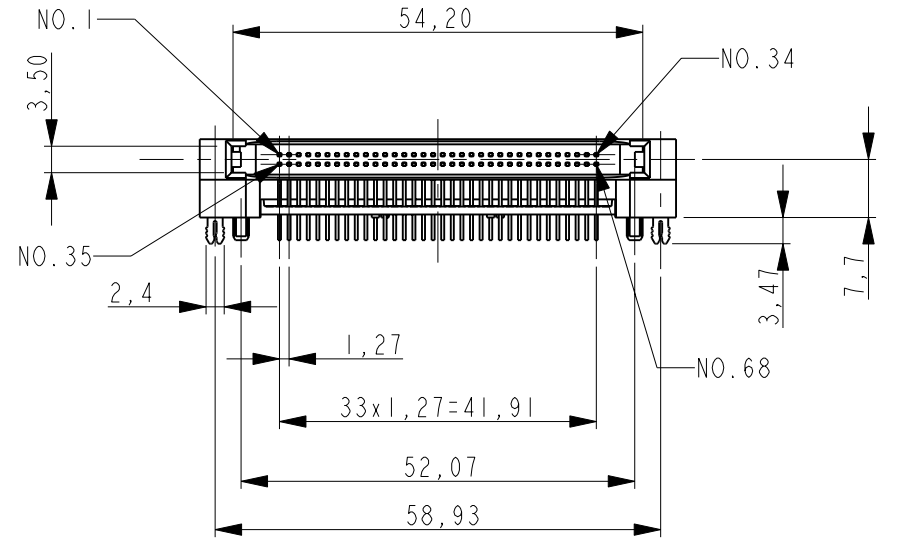
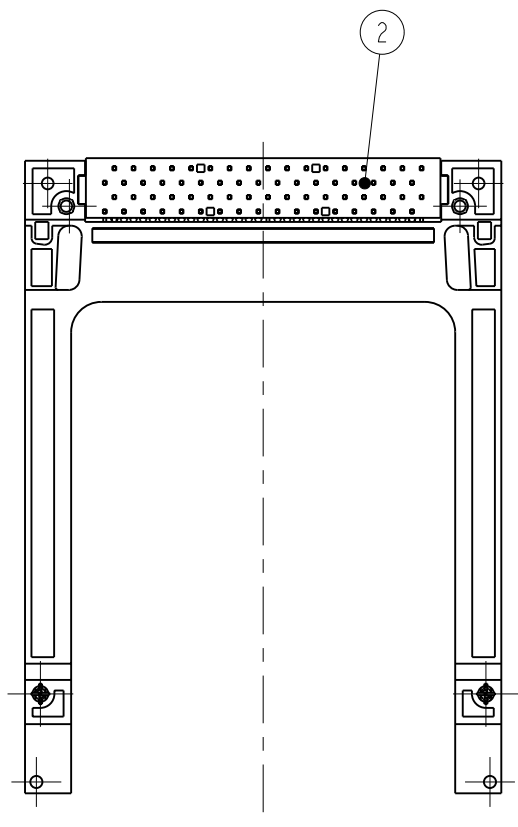
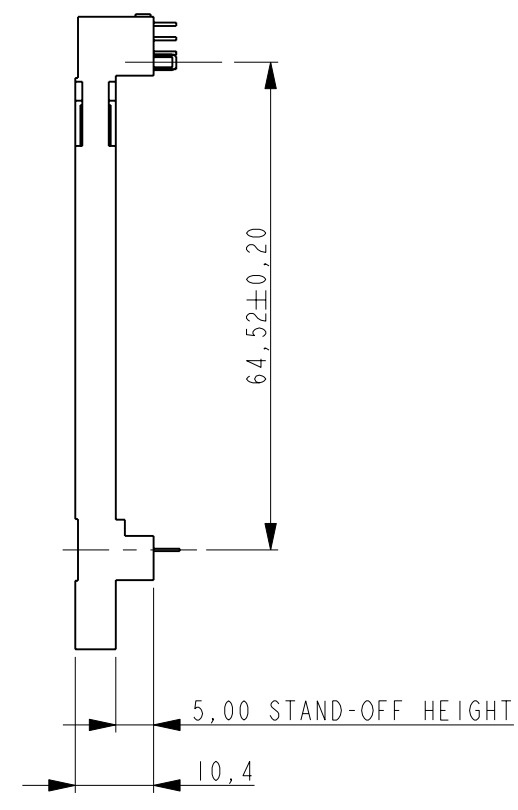
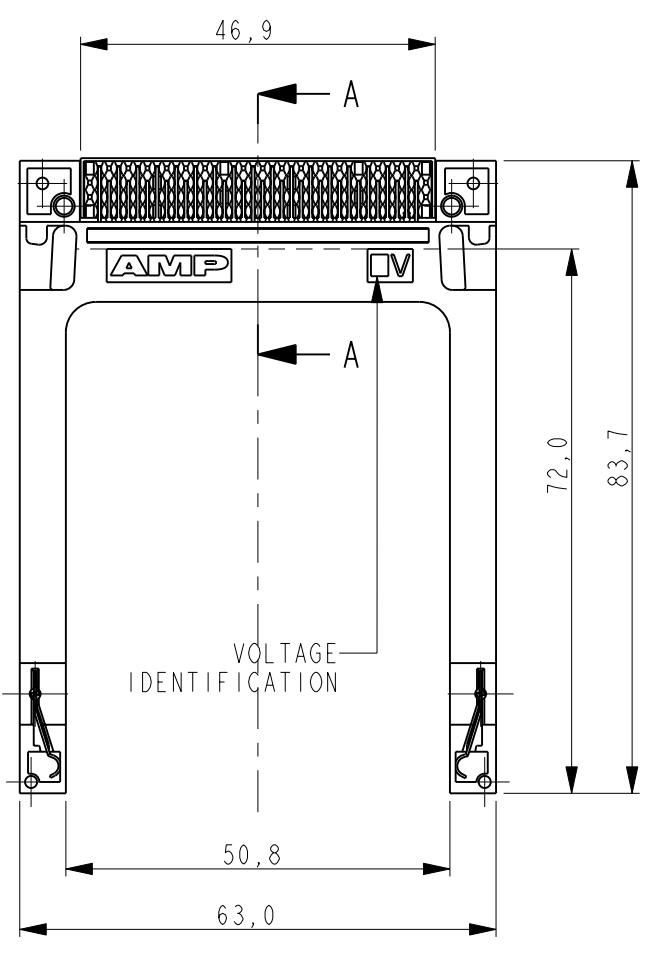
NOTES/SPECIFICATION:

- HEADER ACCEPTS TYPES I, II, & III OF PCMCIA STANDARD MEMORY CARD
- MECHANICAL, ELECTRICAL, PLATING, ENVIRONMENTAL SPECIFICATION: CONFIRMS TO PRODUCT REQUIREMENTS AS PER SPECIFICATION 108-19201
- LENGTH OF CONTACTS:

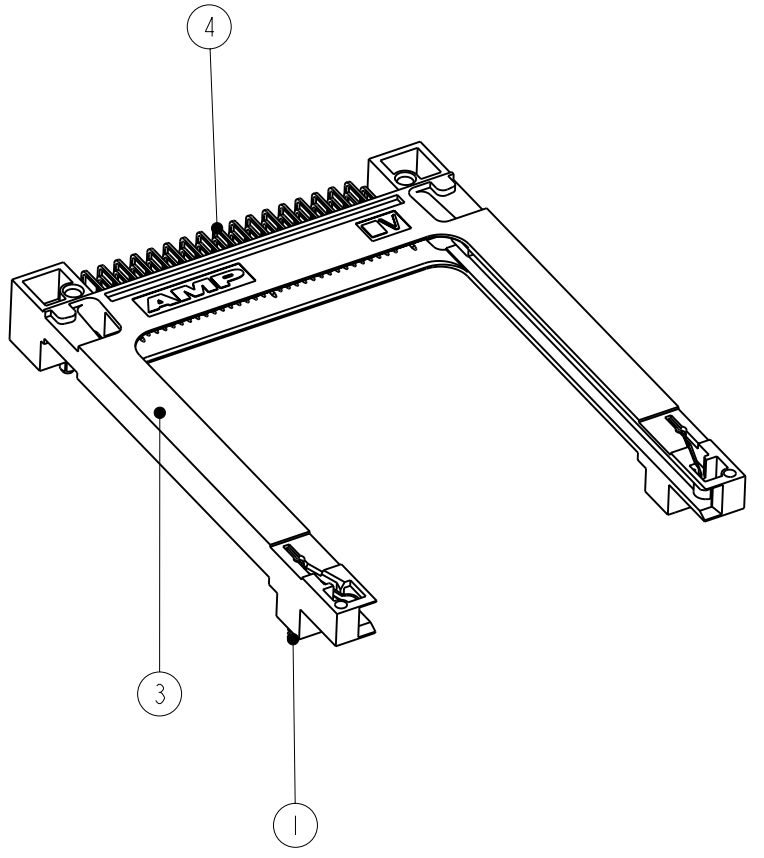
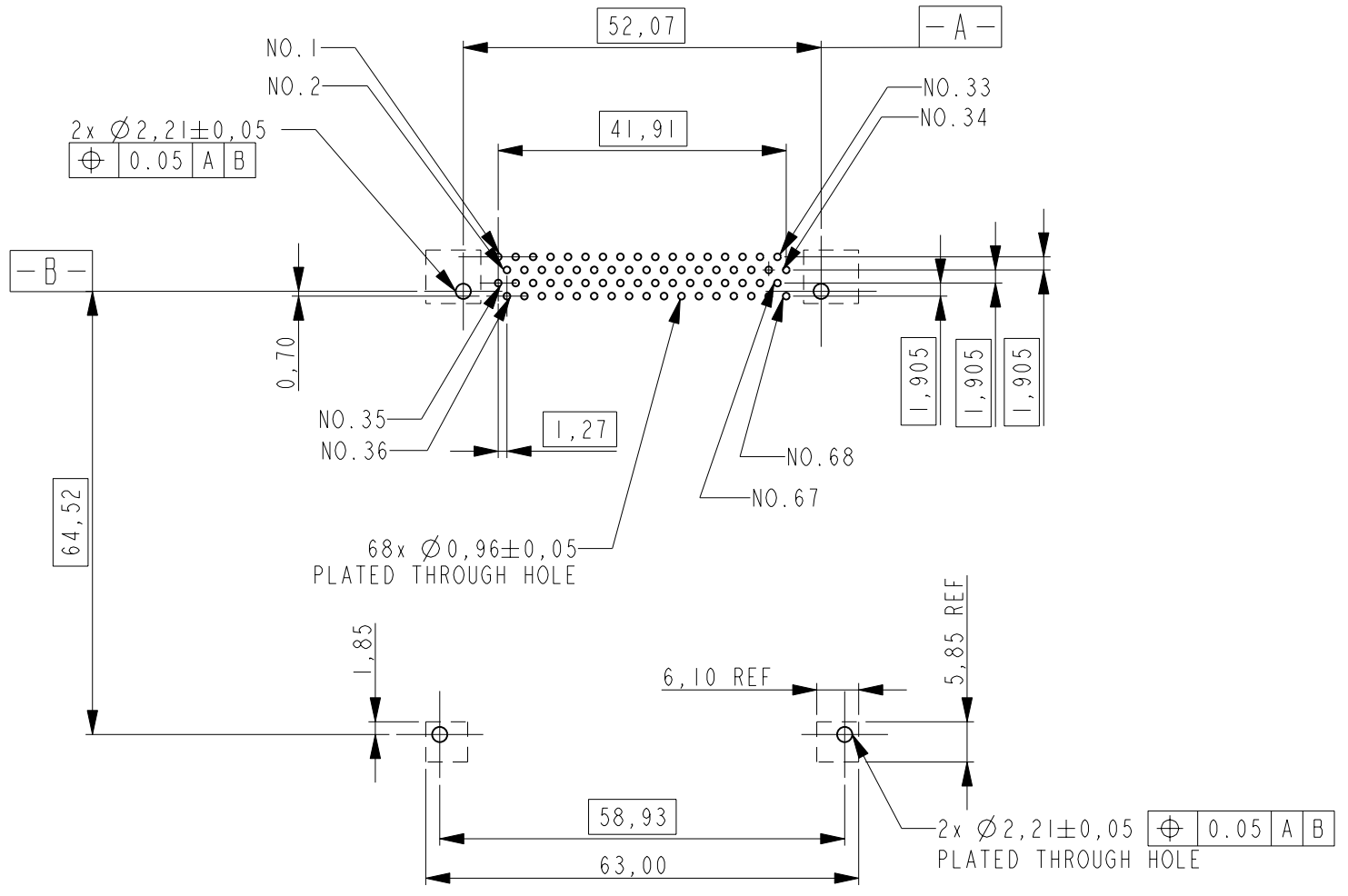
DIM "A"	POSITION No.
5	1, 17, 34, 35, 51, 68
3.5	36, 67
4.25	THE OTHERS
- PLATING OF CONTACT: Ni: OVERALL
Au: CARD SIDE
TIN: PCB SIDE
- ALL PARTS PACKAGED IN TRAYS UNLESS REQUESTED:

CONNECTOR TO PRINTED CIRCUIT BOARD ASSEMBLY:

- PLACE THE CONNECTOR ON THE PRINTED CIRCUIT BOARD. THE SOLDER TAILS, RETENT CLIPS & PLASTIC LEGS SHOULD BE SEATED IN THE RESPECTIVE HOLES.
- PUSH FIRMLY DOWN ON CENTER OF PLASTIC LEGS THEN SOLDER RETENTS. A SLIGHT SNAP IS FELT WHEN THE CONTACT IS FULLY SEATED.
- SOLDER PROCESS ENTIRE PRINTED CIRCUIT BOARD ASSEMBLY.



RECOMMENDED PCB LAYOUT
(THICKNESS: 1,60mm ±0,1mm)



2178290-2	3.3V
2178290-1	5.0V
TE PN.	VOLTAGE IDENTIFICATION

ITEM NO	QTY	DESCRIPTION	MATERIAL	FINISH
4	68	CONTACT	COPPER ALLOY	⚠
3	1	HOUSING	THERMOPLASTIC UL94 V0	COLOR: BLACK
2	1	ORGANISER	THERMOPLASTIC UL94 V0	COLOR: BLACK
1	2	GROUND CONTACT	PHOSPHOR BRONZE	TIN

THIS DRAWING IS A CONTROLLED DOCUMENT.

DWN: GUNA 23-DEC-11
 CHK: RAJENDRA 23-DEC-11
 APVD: RAJENDRA 23-DEC-11

TE Connectivity

NAME: PC CARD HEADER HIGH RAISED 5mm 0,7mm OFFSET

SIZE: A2 CAGE CODE: 00779 DRAWING NO: C-2178290 RESTRICTED TO: -

MATERIAL: SEE TABLE FINISH: ⚠ WEIGHT: - CUSTOMER DRAWING SCALE: - SHEET: 1 OF 1 REV: A