



Chipsmall Limited consists of a professional team with an average of over 10 year of expertise in the distribution of electronic components. Based in Hongkong, we have already established firm and mutual-benefit business relationships with customers from,Europe,America and south Asia,supplying obsolete and hard-to-find components to meet their specific needs.

With the principle of “Quality Parts,Customers Priority,Honest Operation,and Considerate Service”,our business mainly focus on the distribution of electronic components. Line cards we deal with include Microchip,ALPS,ROHM,Xilinx,Pulse,ON,Everlight and Freescale. Main products comprise IC,Modules,Potentiometer,IC Socket,Relay,Connector.Our parts cover such applications as commercial,industrial, and automotives areas.

We are looking forward to setting up business relationship with you and hope to provide you with the best service and solution. Let us make a better world for our industry!



Contact us

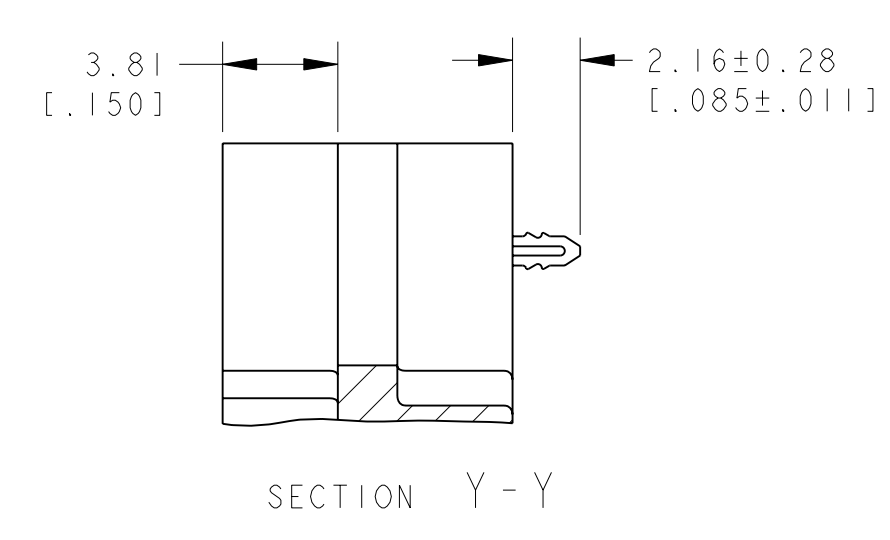
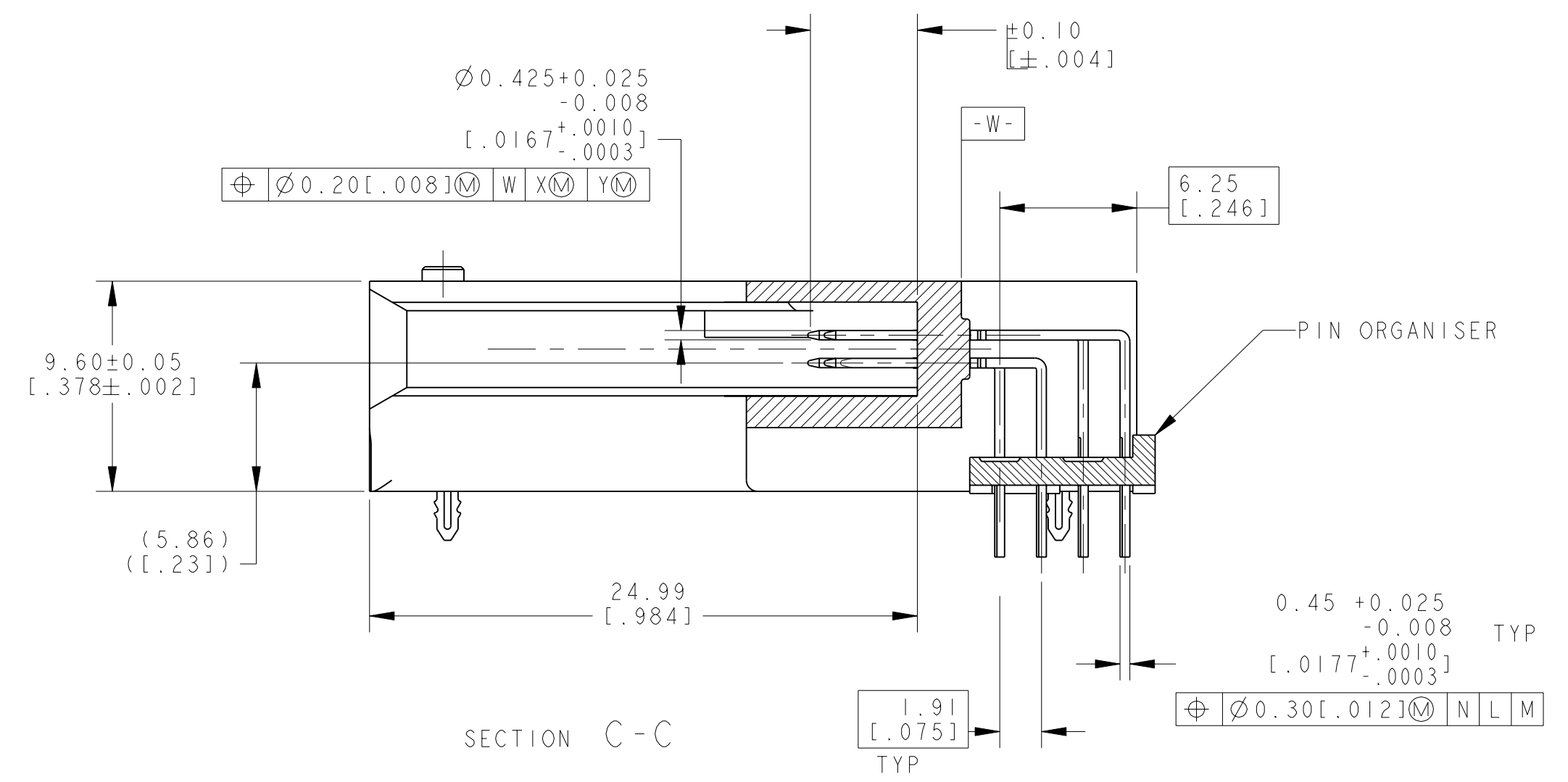
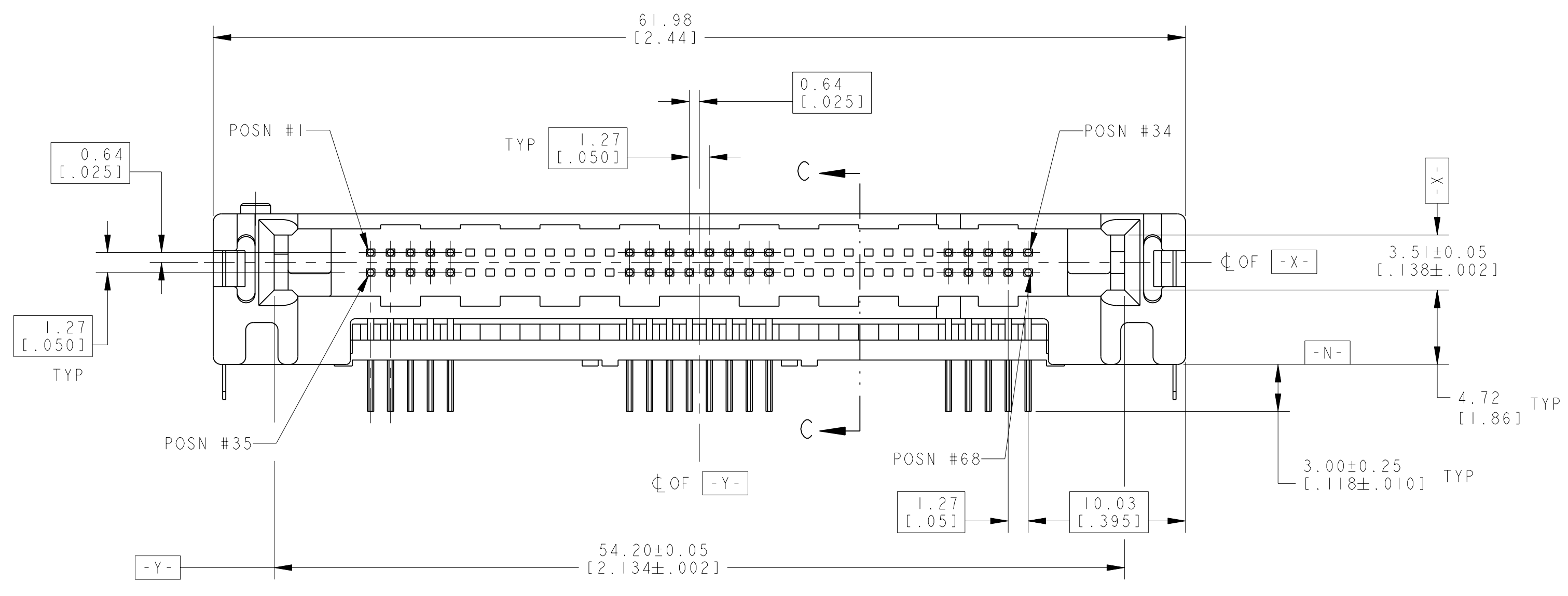
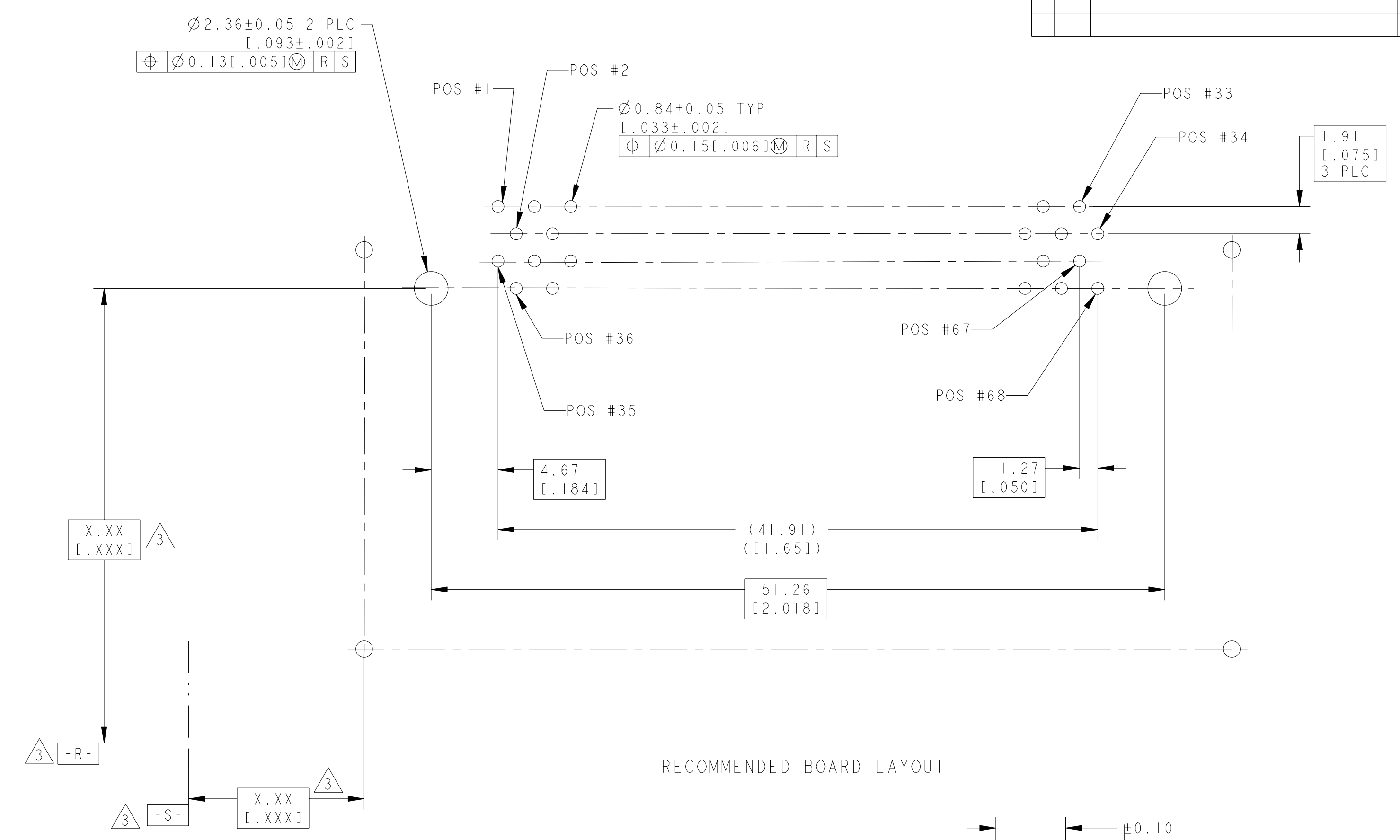
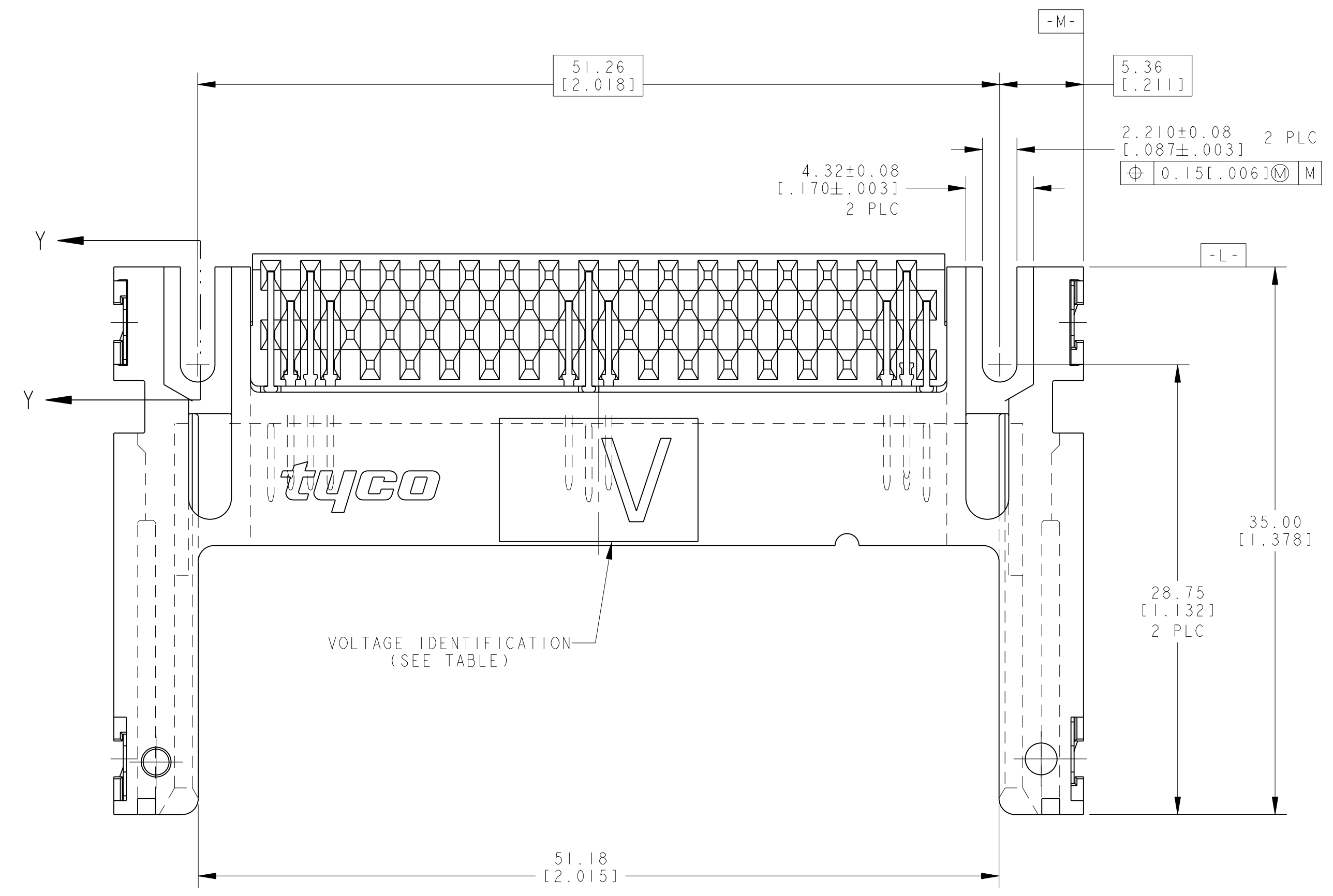
Tel: +86-755-8981 8866 Fax: +86-755-8427 6832

Email & Skype: info@chipsmall.com Web: www.chipsmall.com

Address: A1208, Overseas Decoration Building, #122 Zhenhua RD., Futian, Shenzhen, China



LOC	DIST	REV	DATE	BY	APPD
-	-	A	29FEB2012	GG	RRP



- NOTE
- △ PLATING: GOLD ON THE CARD MATING AREA.
TIN ON SOLDER TAILS
NICKEL ALL OVER
 - 2. CUSTOMER TO PROVIDE CARD GUIDANCE SYSTEM.
 - △ DATUMS AND BASIC DIMENSIONS ESTABLISHED BY CUSTOMER.
 - 4. CONNECTOR REQUIRES USE OF 2 - SIZE 2M SCREWS FOR FASTENING TO PRINTED CIRCUIT BOARD.
 - △ MATERIAL: HOUSING & ORGANISER : THERMOPLASTIC UL94 V0, COLOR - BLACK
PIN : BRASS
HOLD-DOWN : PHOSPHOR BRONZE.
 - △ HOLD-DOWN : TIN PLATED

PLATING	VOLTAGE IDENTIFICATION	"L" (PIN LENGTH) AND LOCATION	PART NUMBER
△6	LV	1, 17, 34 35, 51, 68	ALL OTHER PINS 2178292-2
△6	5V	1, 17, 34 35, 51, 68	ALL OTHER PINS 2178292-1
PLATING		0.197 [5.0]	0.167 [4.25] 0.138 [3.5]
VOLTAGE IDENTIFICATION		"L" (PIN LENGTH) AND LOCATION	

THIS DRAWING IS A CONTROLLED DOCUMENT.		DWN: GUNA 23DEC2011	TE Connectivity
DIMENSIONS: mm [INCHES]		CHK: RAJENDRA 23DEC2011	
TOLERANCES UNLESS OTHERWISE SPECIFIED:		APPD: RAJENDRA 23DEC2011	
9 PLC ± 3 PLC ± 5 PLC ± 4 PLC ±0.13 [0.005] ANGLES ±0° 30'		NAME: PIN HEADER ASSY, 68 POS RAISED HT, TOP BRD MTG, THRU HOLE, WITH HOLD-DOWN, MEMORY CARD	
MATERIAL: △6	FINISH: △1 △6	SIZE: A100779C=2178292	RESTRICTED TO
CUSTOMER DRAWING		SCALE: 4:1	SHEET 1 OF 1 REV A