



Chipsmall Limited consists of a professional team with an average of over 10 year of expertise in the distribution of electronic components. Based in Hongkong, we have already established firm and mutual-benefit business relationships with customers from,Europe,America and south Asia,supplying obsolete and hard-to-find components to meet their specific needs.

With the principle of “Quality Parts,Customers Priority,Honest Operation,and Considerate Service”,our business mainly focus on the distribution of electronic components. Line cards we deal with include Microchip,ALPS,ROHM,Xilinx,Pulse,ON,Everlight and Freescale. Main products comprise IC,Modules,Potentiometer,IC Socket,Relay,Connector.Our parts cover such applications as commercial,industrial, and automotives areas.

We are looking forward to setting up business relationship with you and hope to provide you with the best service and solution. Let us make a better world for our industry!



Contact us

Tel: +86-755-8981 8866 Fax: +86-755-8427 6832

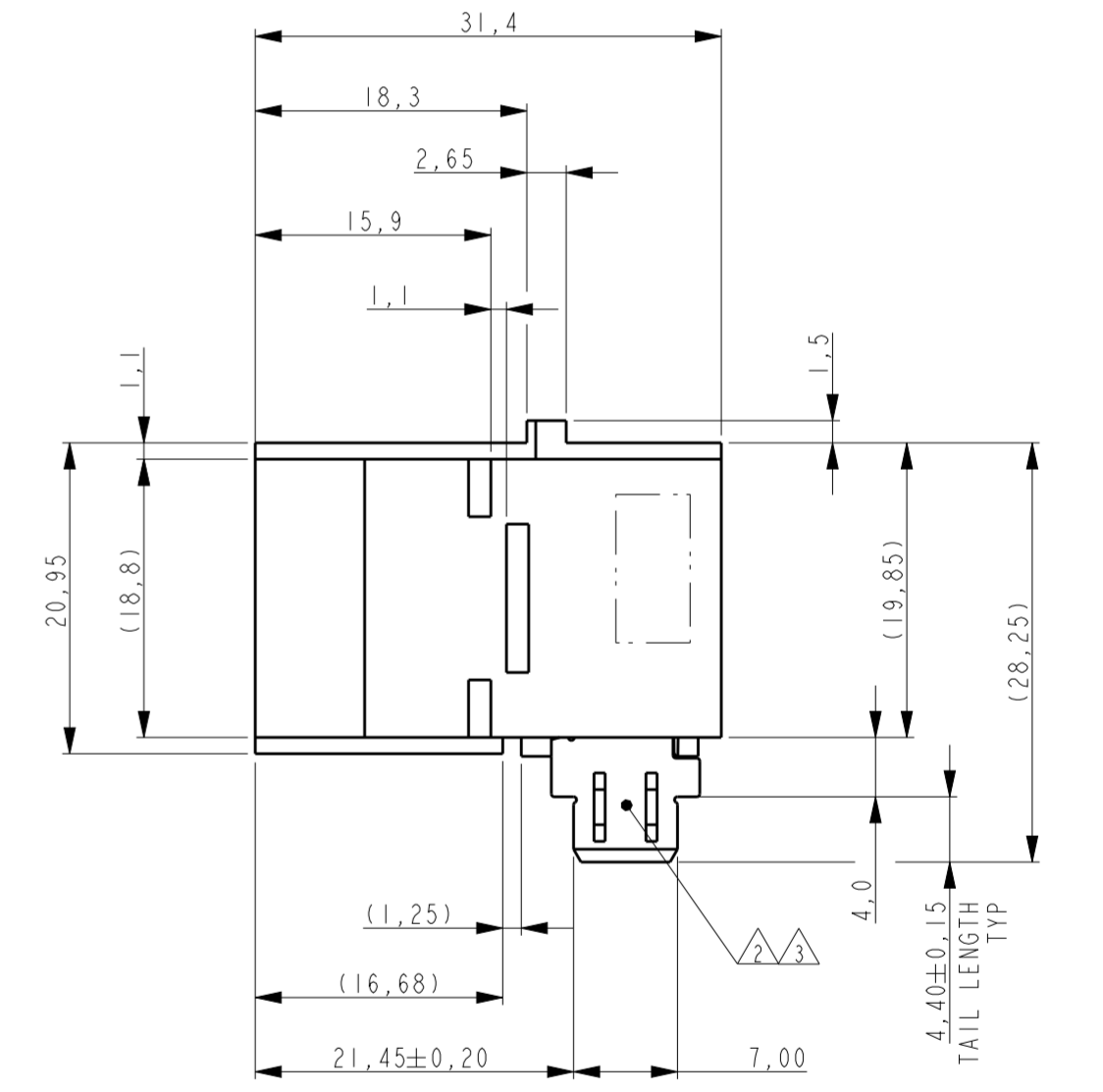
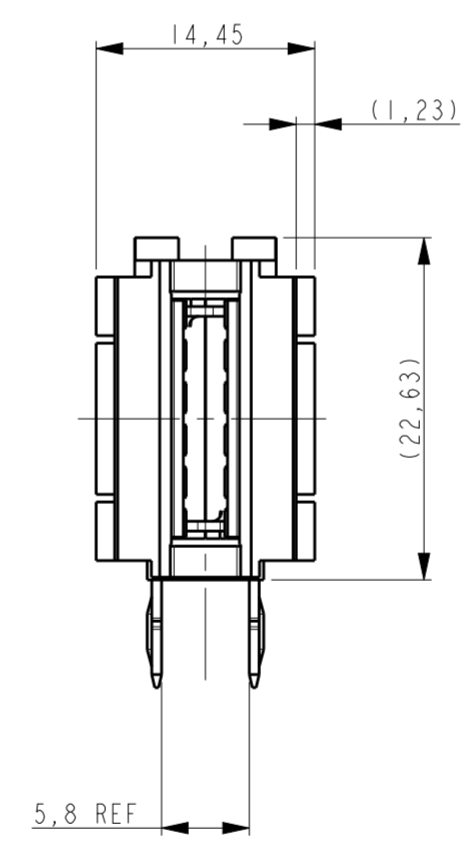
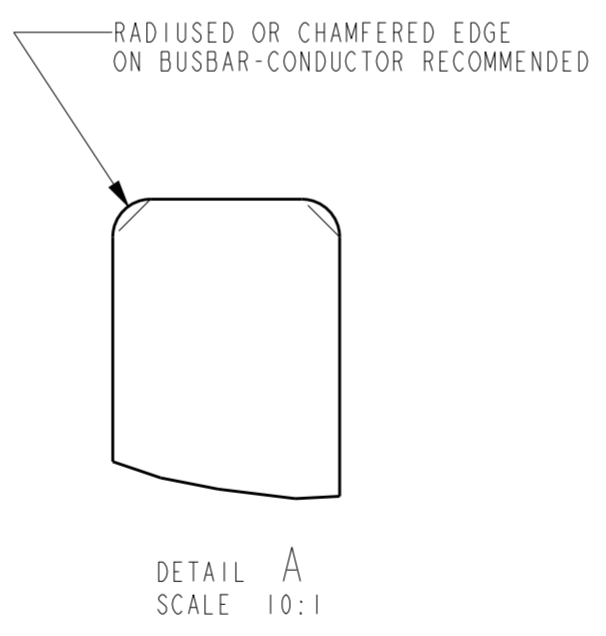
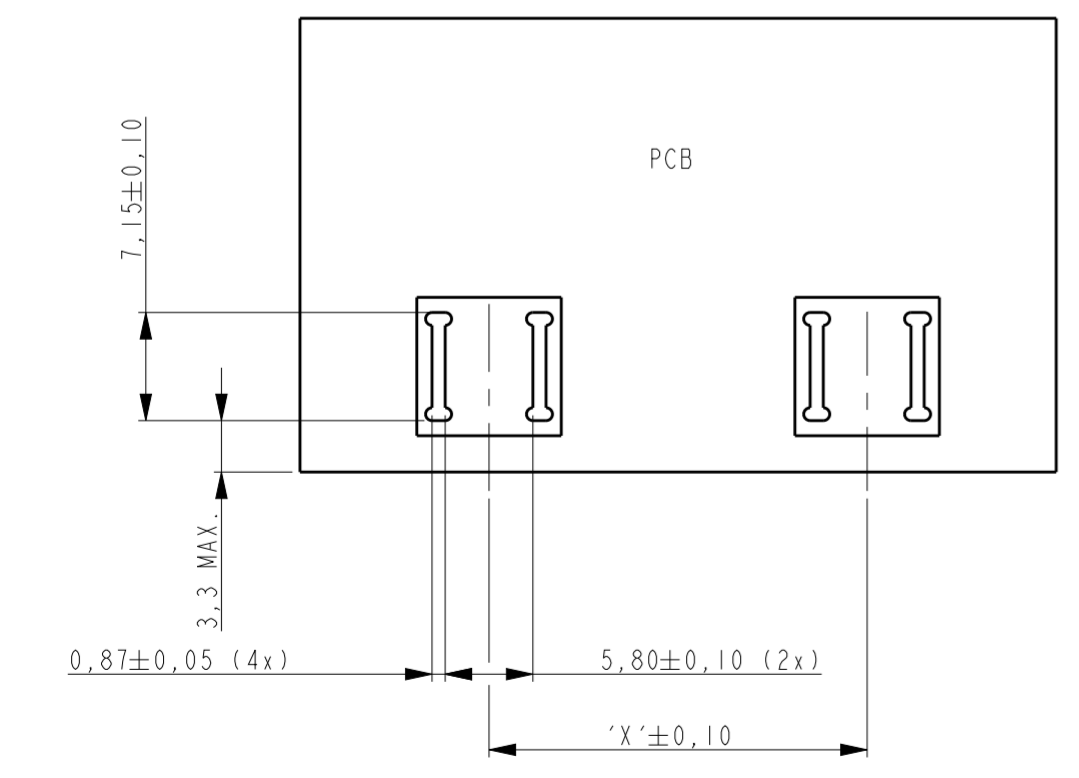
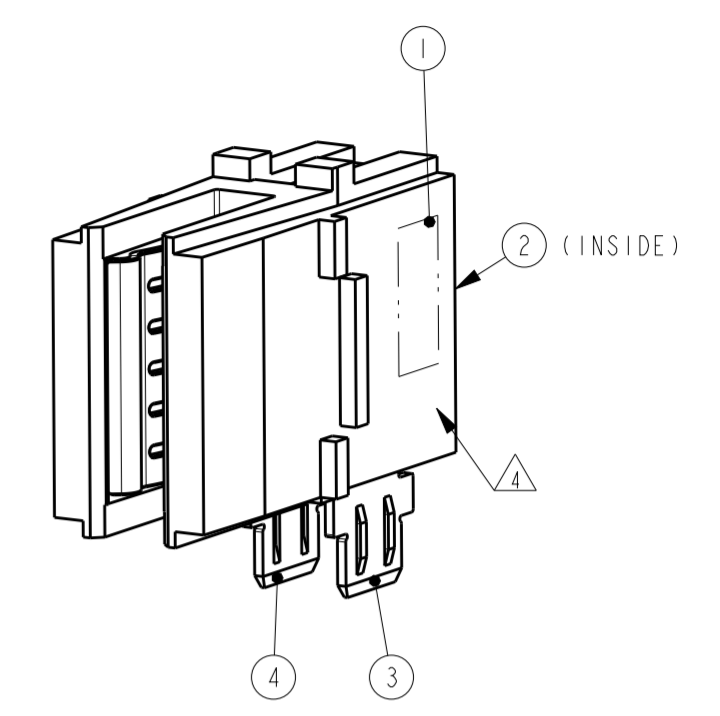
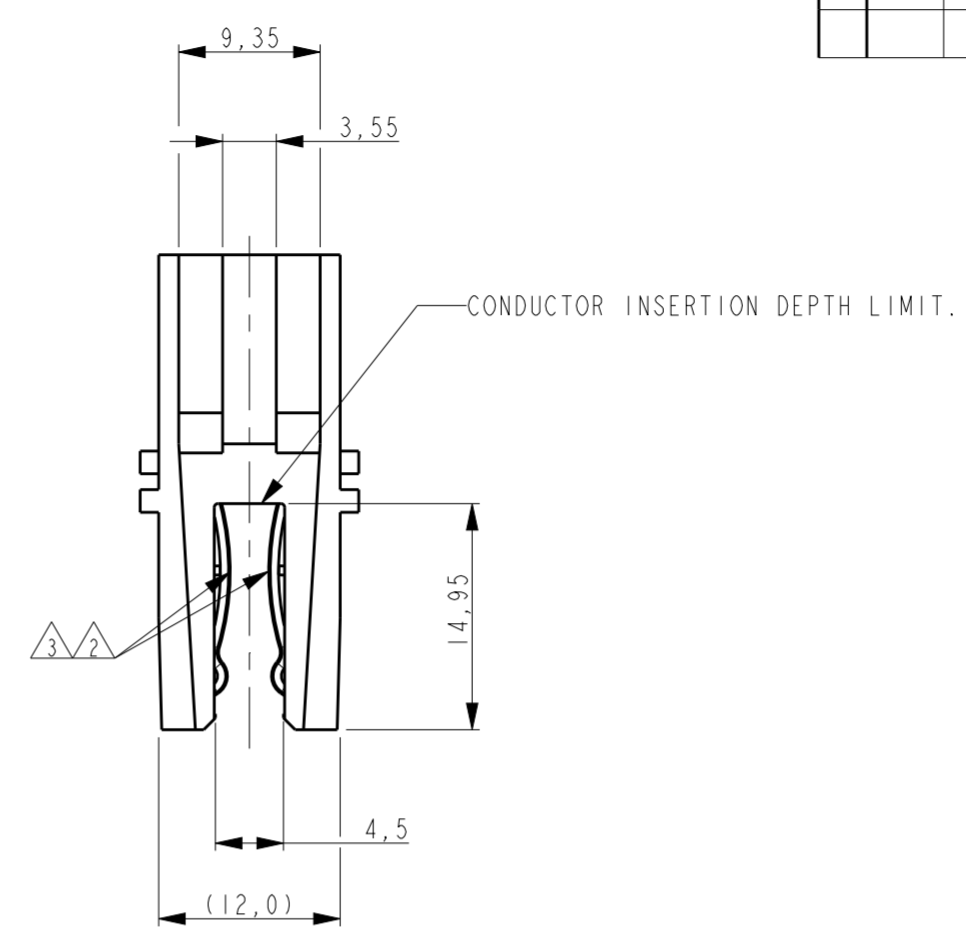
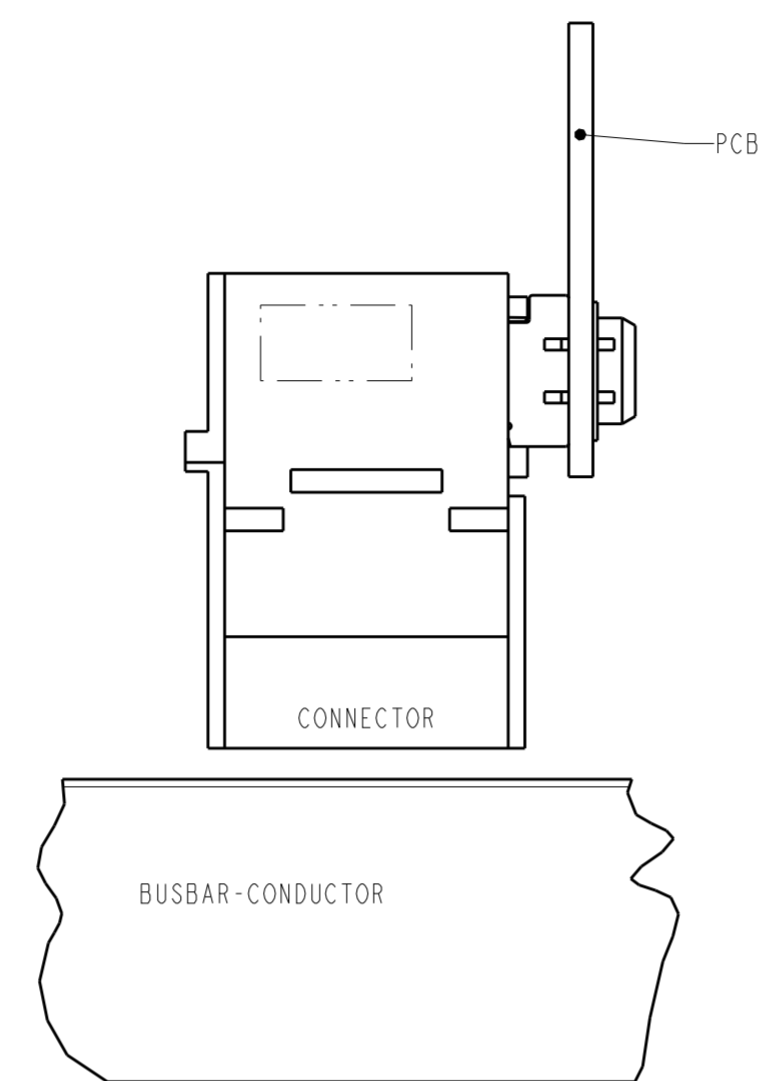
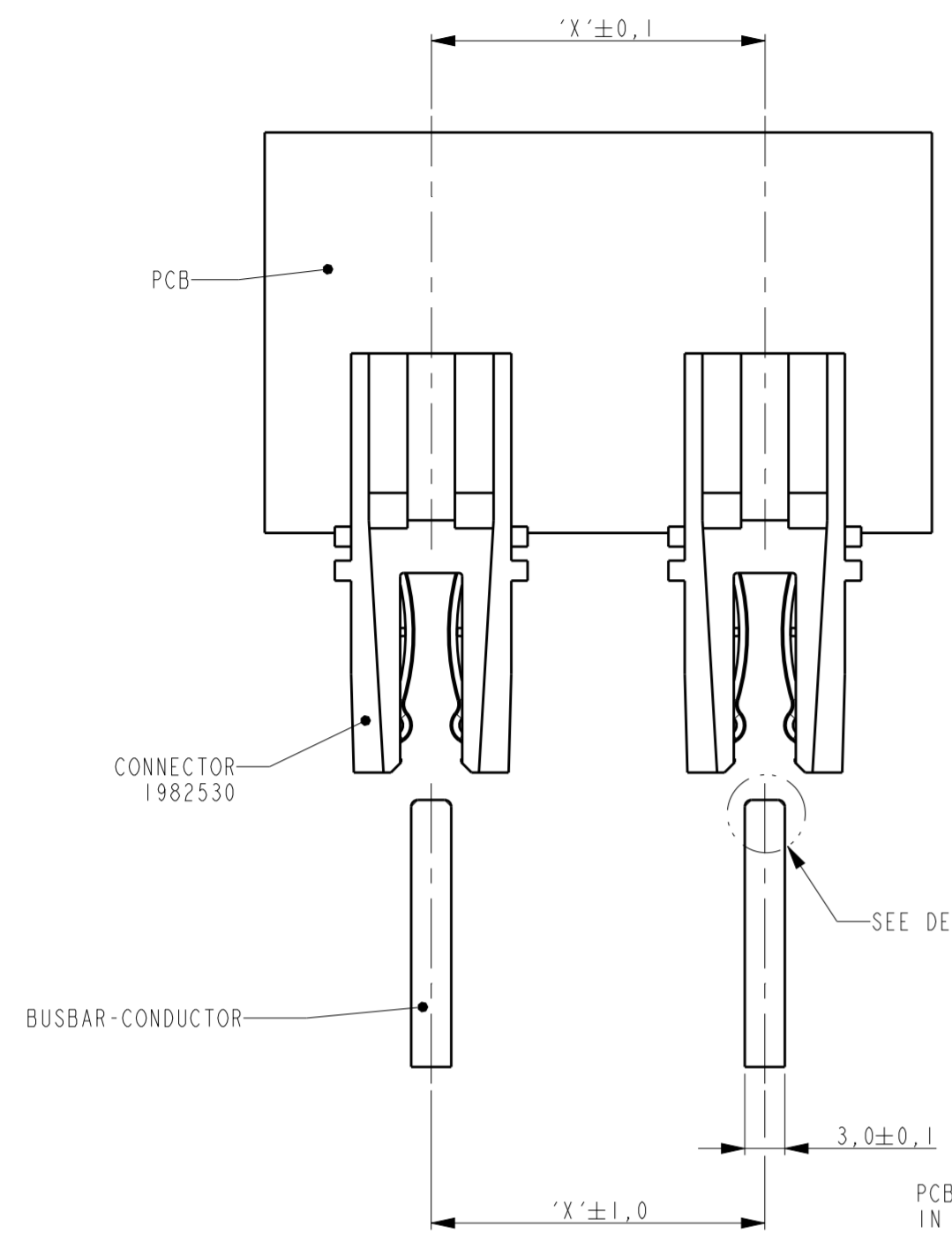
Email & Skype: info@chipsmall.com Web: www.chipsmall.com

Address: A1208, Overseas Decoration Building, #122 Zhenhua RD., Futian, Shenzhen, China



THIS DRAWING IS UNPUBLISHED. RELEASED FOR PUBLICATION
 © COPYRIGHT - BY - TE CONNECTIVITY ALL RIGHTS RESERVED.

LOC	DIST	REVISIONS			
P	LTR	DESCRIPTION	DATE	DWN	APVD
ES	00	A3	REV PER ECR-15-005882	20APR2015	ML SZ



- NOTES:
- 1 PCB MUST BE SUPPORTED WHILE INSERTING THE CONNECTOR IN THE SLOTS TO AVOID BENDING OF THE BOARD.
 - 2 PLATING: 1,2µm MIN. NICKEL UNDERLAYER ALLOY.
 - 3 3,0µm MIN. TIN IN INDICATED AREA'S.
 - 4 AREA FOR DATE-CODE.
 - 5 MATERIAL:
POWER CONTACT: HIGH CONDUCTIVITY COPPER ALLOY.
HOUSING: THERMOPLASTIC, BLACK, UL94 V-0.

ITEM NO.	DESCRIPTION	MATERIAL	FINISH	QTY.
4	CONTACT LEFT	COPPER ALLOY	2 3	1
3	CONTACT RIGHT	COPPER ALLOY	2 3	1
2	CLIP	STAINLESS STEEL	-	1
1	HOUSING	PBT	BLACK	1

THIS DRAWING IS A CONTROLLED DOCUMENT.

DIMENSIONS:	TOLERANCES UNLESS OTHERWISE SPECIFIED:	DWN SUDHAKAR 12 sep 12	TE Connectivity
mm		CHK SUDHAKAR 12 sep 12	
		APVD RAJENDRA 12 sep 12	
		PRODUCT SPEC 108-19360	
MATERIAL		APPLICATION SPEC 114-19128	NAME PLUGGABLE BUSBAR CONNECTOR SOLDER VERSION CROWN CLIP JUNIOR
		WEIGHT -	SIZE A2 CAGE CODE 00779 DRAWING NO. C-2178410 RESTRICTED TO -
		Customer Drawing	SCALE 2:1 SHEET 1 OF 1 REV A3