



Chipsmall Limited consists of a professional team with an average of over 10 year of expertise in the distribution of electronic components. Based in Hongkong, we have already established firm and mutual-benefit business relationships with customers from,Europe,America and south Asia,supplying obsolete and hard-to-find components to meet their specific needs.

With the principle of "Quality Parts,Customers Priority,Honest Operation,and Considerate Service",our business mainly focus on the distribution of electronic components. Line cards we deal with include Microchip,ALPS,ROHM,Xilinx,Pulse,ON,Everlight and Freescale. Main products comprise IC,Modules,Potentiometer,IC Socket,Relay,Connector.Our parts cover such applications as commercial,industrial, and automotives areas.

We are looking forward to setting up business relationship with you and hope to provide you with the best service and solution. Let us make a better world for our industry!



## Contact us

Tel: +86-755-8981 8866 Fax: +86-755-8427 6832

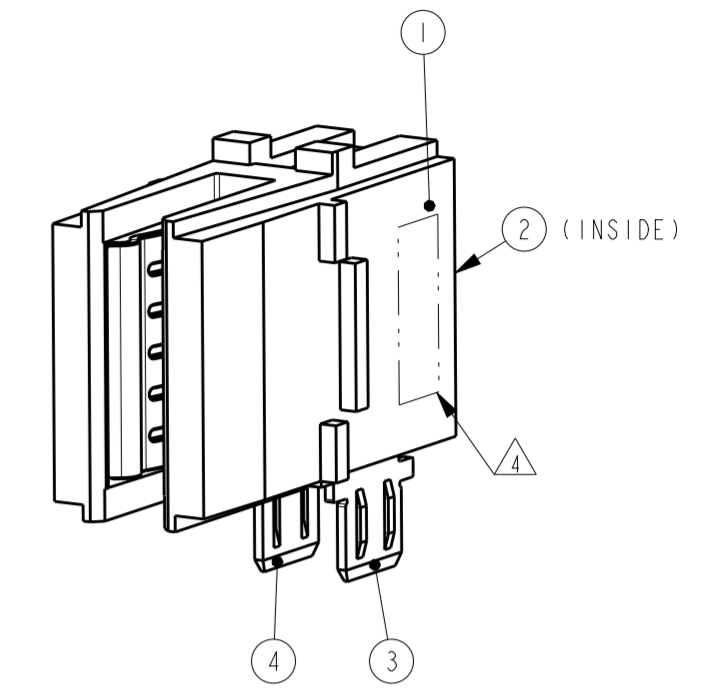
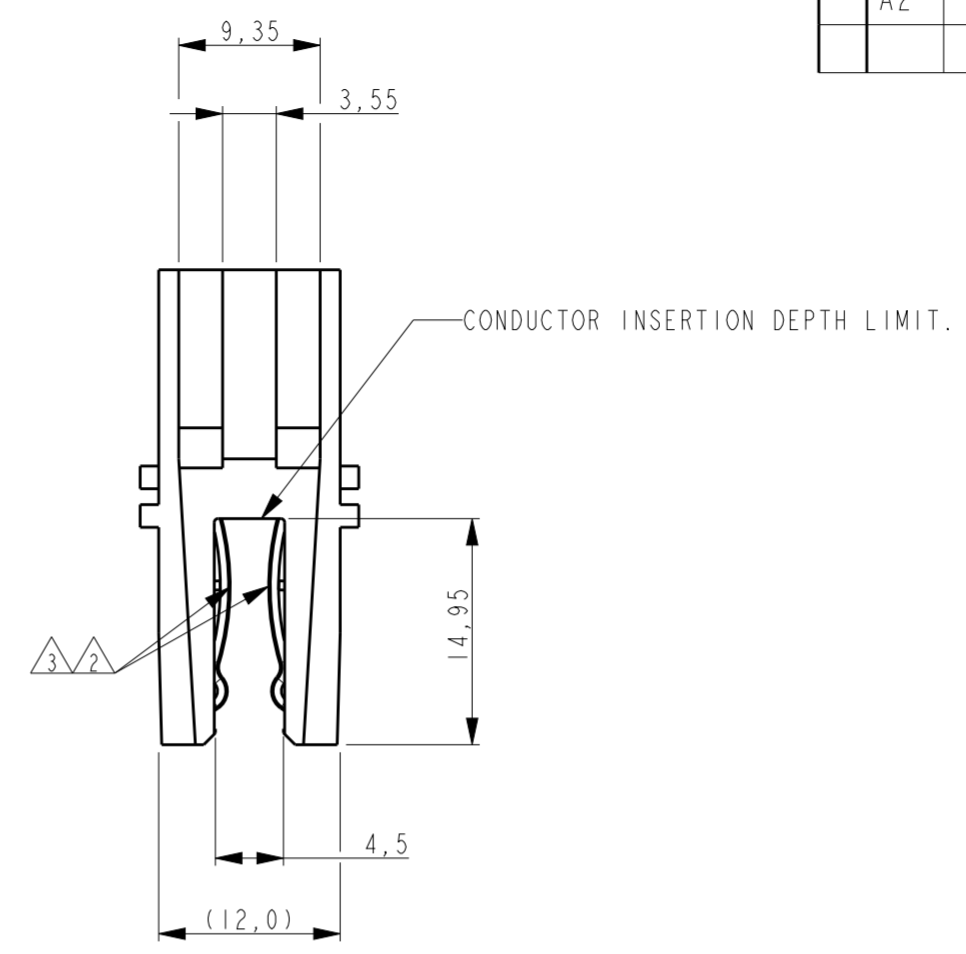
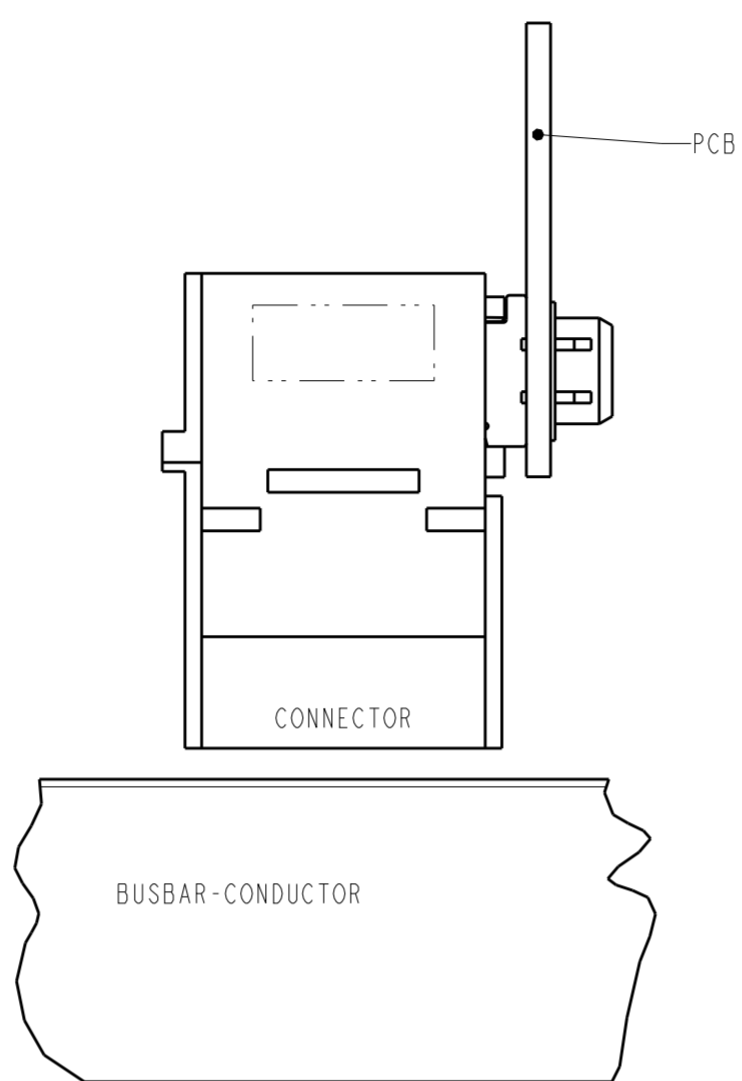
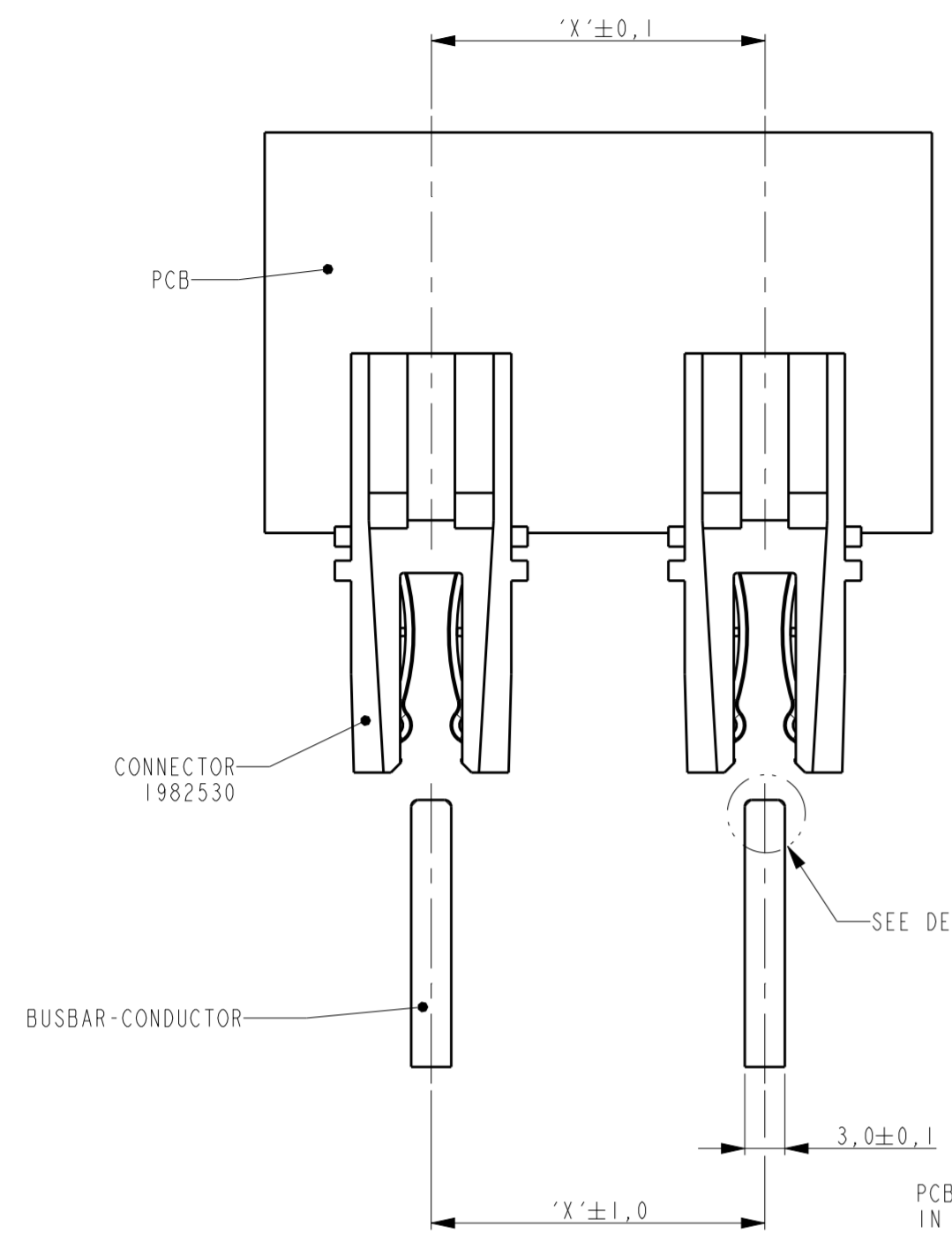
Email & Skype: info@chipsmall.com Web: www.chipsmall.com

Address: A1208, Overseas Decoration Building, #122 Zhenhua RD., Futian, Shenzhen, China

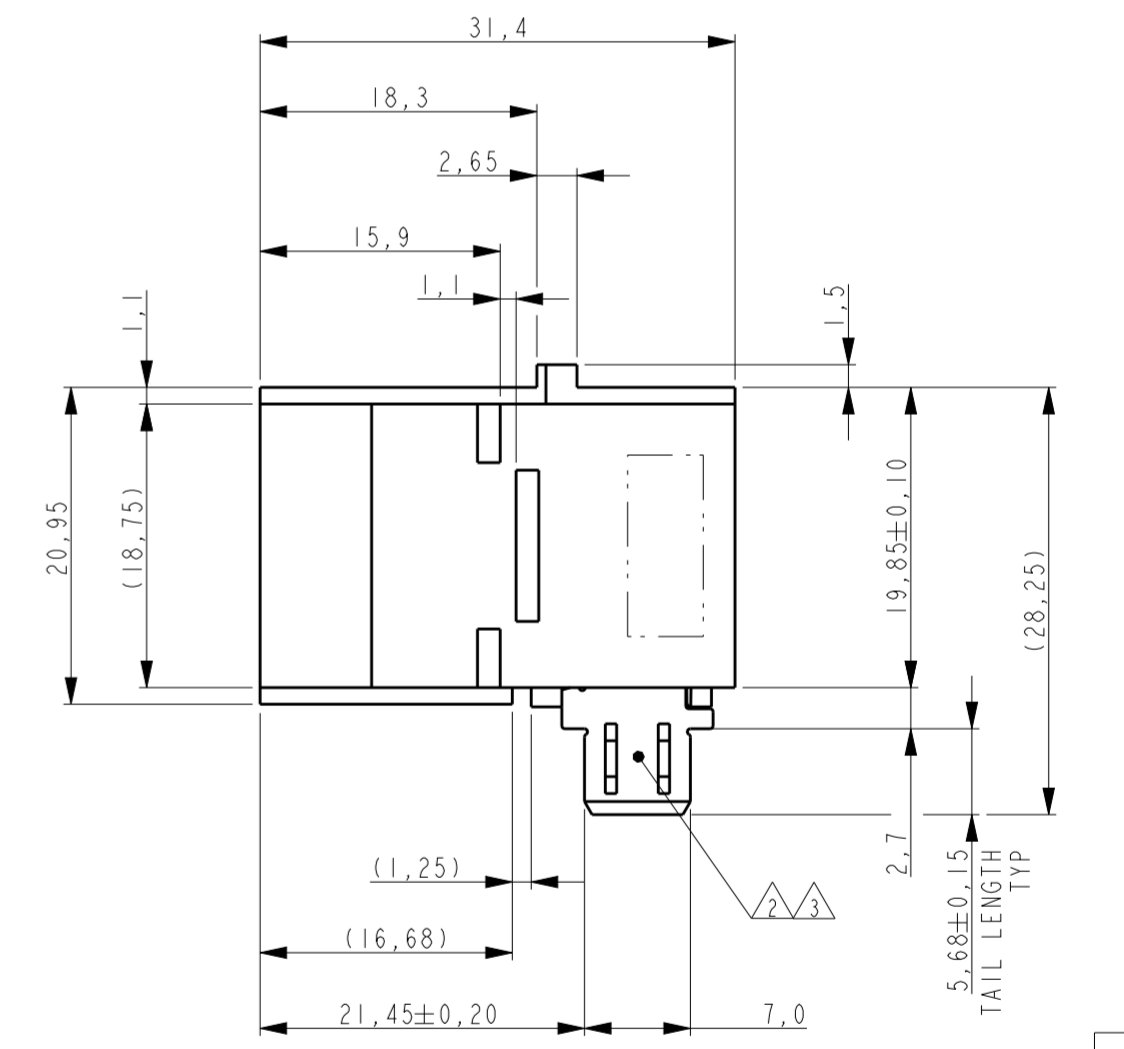
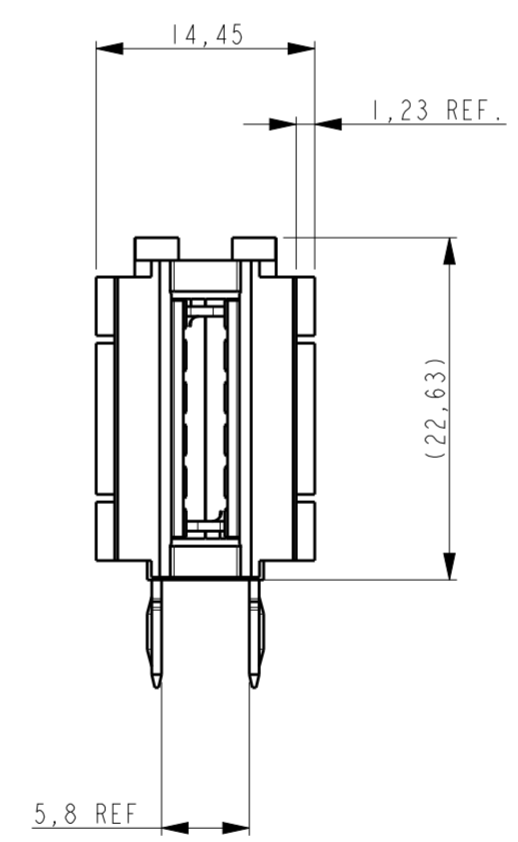
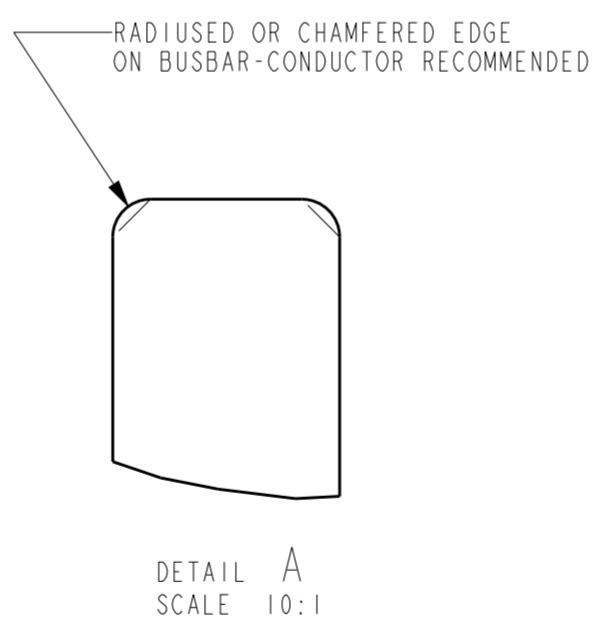
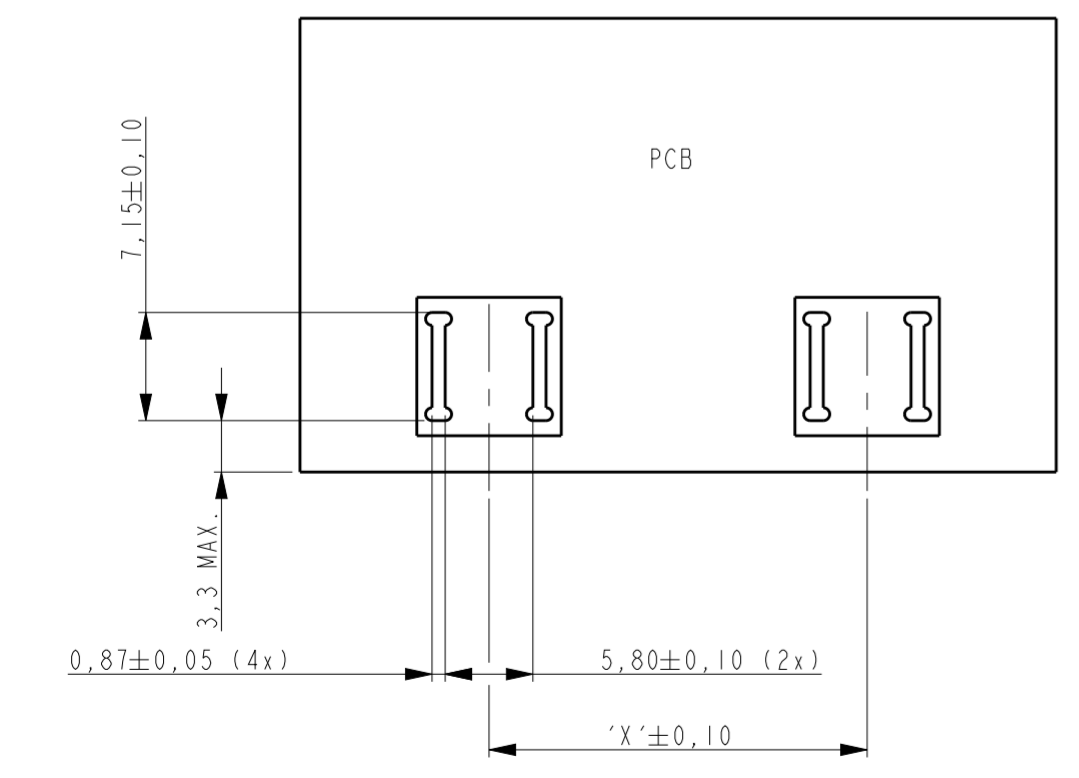


THIS DRAWING IS UNPUBLISHED. RELEASED FOR PUBLICATION  
 © COPYRIGHT - BY - ALL RIGHTS RESERVED.

LOC	DIST	REVISIONS					
ES	00	P	LTR	DESCRIPTION	DATE	DWN	APVD
		A		INITIAL RELEASE	06SEP12	SS	RRP
		A1		ECR-12-017404	05OCT2012	SS	RRP
		A2		REV PER ECR-14-007496	20MAY2014	ML	SZ



PCB AND BUSBAR-CONDUCTORS, IN THESE VIEWS ARE SHOWN FOR REFERENCE ONLY.



- NOTES:  
 1 PCB MUST BE SUPPORTED WHILE INSERTING THE CONNECTOR IN THE SLOTS TO AVOID BENDING OF THE BOARD.  
 2 PLATING: 1,2µm MIN. NICKEL UNDERLAYER ALLOY.  
 3 3,0µm MIN. TIN IN INDICATED AREA'S.  
 4 AREA FOR DATE-CODE.  
 5 MATERIAL:  
 POWER CONTACT: HIGH CONDUCTIVITY COPPER ALLOY.  
 HOUSING: THERMOPLASTIC, BLACK, UL94 V-0.

RECOMMENDED PCB LAY-OUT  
 THICKNESS: 4,8mm MAX

THIS DRAWING IS A CONTROLLED DOCUMENT.

DIMENSIONS:	TOLERANCES UNLESS OTHERWISE SPECIFIED:
mm	
0 PLC	±
1 PLC	±0,3
2 PLC	±0,15
3 PLC	±0,050
4 PLC	±
ANGLES	±2°
FINISH	

ITEM NO.	DESCRIPTION	MATERIAL	FINISH	QTY.
4	CONTACT LEFT	COPPER ALLOY		1
3	CONTACT RIGHT	COPPER ALLOY		1
2	CLIP	STAINLESS STEEL		1
1	HOUSING	HIGH TEMP THERMO PLASTIC UL 94 V0	BLACK	1

DWN SUDHAKAR 06SEP12  
 CHK SUDHAKAR 06SEP12  
 APVD RAJENDRA 06SEP12

**STE** TE Connectivity

NAME: PLUGGABLE BUSBAR CONNECTOR  
 SOLDER VERSION  
 CROWN CLIP JUNIOR

108-19360  
 APPLICATION SPEC  
 114-19128

SIZE: A2 CAGE CODE: 00779 DRAWING NO: C-2178411 RESTRICTED TO: -

Customer Drawing SCALE: 2:1 SHEET 1 OF 1 REV A3