



Chipsmall Limited consists of a professional team with an average of over 10 year of expertise in the distribution of electronic components. Based in Hongkong, we have already established firm and mutual-benefit business relationships with customers from,Europe,America and south Asia,supplying obsolete and hard-to-find components to meet their specific needs.

With the principle of "Quality Parts,Customers Priority,Honest Operation,and Considerate Service",our business mainly focus on the distribution of electronic components. Line cards we deal with include Microchip,ALPS,ROHM,Xilinx,Pulse,ON,Everlight and Freescale. Main products comprise IC,Modules,Potentiometer,IC Socket,Relay,Connector.Our parts cover such applications as commercial,industrial, and automotives areas.

We are looking forward to setting up business relationship with you and hope to provide you with the best service and solution. Let us make a better world for our industry!



Contact us

Tel: +86-755-8981 8866 Fax: +86-755-8427 6832

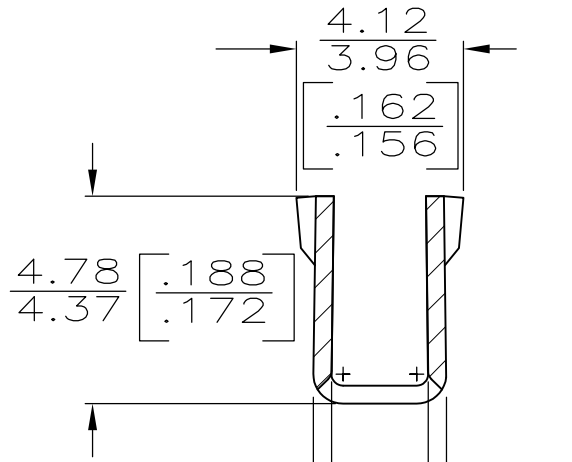
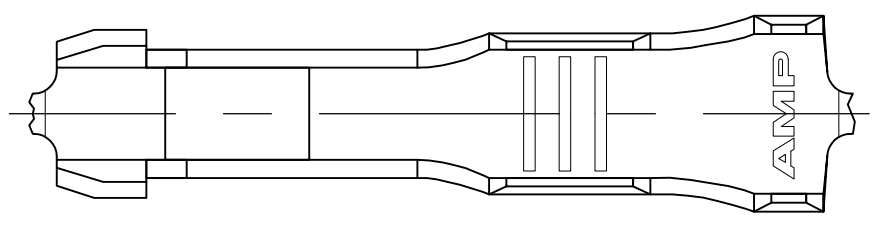
Email & Skype: info@chipsmall.com Web: www.chipsmall.com

Address: A1208, Overseas Decoration Building, #122 Zhenhua RD., Futian, Shenzhen, China

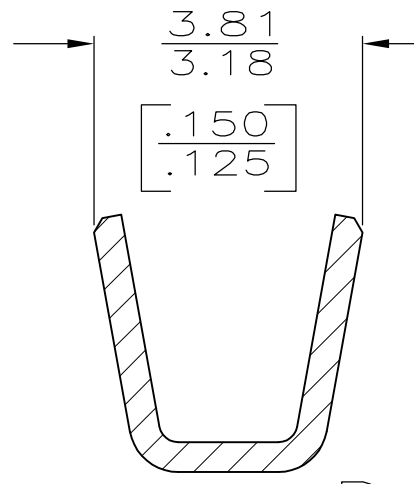
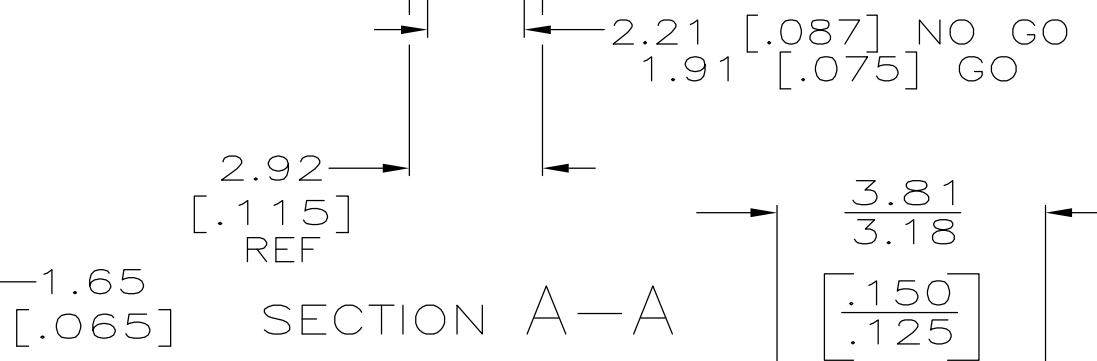
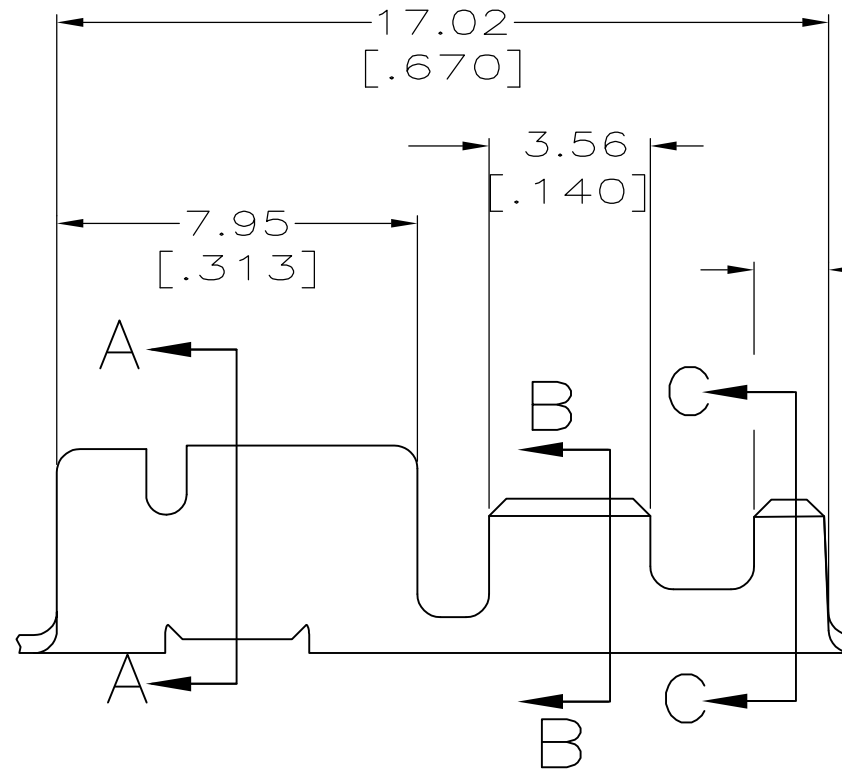


THIS DRAWING IS UNPUBLISHED. RELEASED FOR PUBLICATION
 © COPYRIGHT - By - ALL RIGHTS RESERVED.

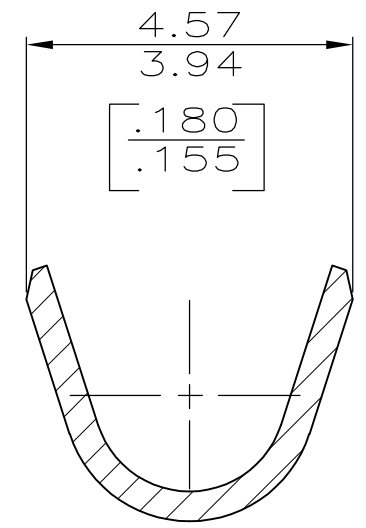
LOC	DIST	REVISIONS			
P	LTR	DESCRIPTION	DATE	DWN	APVD
AF	50	A	INITIAL RELEASE	18DEC2012	MKD RRP
		A1	ECR-14-009296	20JUN2014	MKD RRP



- 1 CONTINUOUS STRIP ON REEL.
- 2 WIRE SIZE IS 18-16 AWG
- 3 INSULATION RANGE IS 1.50-2.62 [.059-.103] DIA.
- △ 4 0.002032 [.000080] MIN TIN PL
- 5 RECOMMENDED HOUSING PART NUMBERS
235280-1, -4, -5
284406-1, -3



SECTION B-B
SCALE 10:1



SECTION C-C
SCALE 10:1

T3 PHOS BRONZE	△ 4	2178453-1
MATERIAL	FINISH	PART NO

THIS DRAWING IS A CONTROLLED DOCUMENT.	
DIMENSIONS: INCHES	TOLERANCES UNLESS OTHERWISE SPECIFIED:
	0 PLC ± -
	1 PLC ± -
	2 PLC ± 0.25 [.010]
	3 PLC ± -
	4 PLC ± -
ANGLES ± -	
MATERIAL SEE TABLE	FINISH SEE TABLE

DWN DHANESH 17DEC2012	 TE Connectivity	NAME RECEPTACLE, CLUSTER PIN, 2.29 [.090] DIA		
CHK RAJENDRA 18DEC2012		SIZE A3		
APVD RAJENDRA 18DEC2012		CAGE CODE -	DRAWING NO C-2178453	RESTRICTED TO -
PRODUCT SPEC -		SCALE 6:1		
APPLICATION SPEC -	SHEET 1 OF 1			
WEIGHT -	REV A1			
CUSTOMER DRAWING				