



Chipsmall Limited consists of a professional team with an average of over 10 year of expertise in the distribution of electronic components. Based in Hongkong, we have already established firm and mutual-benefit business relationships with customers from,Europe,America and south Asia,supplying obsolete and hard-to-find components to meet their specific needs.

With the principle of “Quality Parts,Customers Priority,Honest Operation,and Considerate Service”,our business mainly focus on the distribution of electronic components. Line cards we deal with include Microchip,ALPS,ROHM,Xilinx,Pulse,ON,Everlight and Freescale. Main products comprise IC,Modules,Potentiometer,IC Socket,Relay,Connector.Our parts cover such applications as commercial,industrial, and automotives areas.

We are looking forward to setting up business relationship with you and hope to provide you with the best service and solution. Let us make a better world for our industry!



Contact us

Tel: +86-755-8981 8866 Fax: +86-755-8427 6832

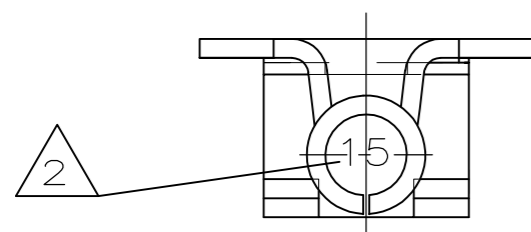
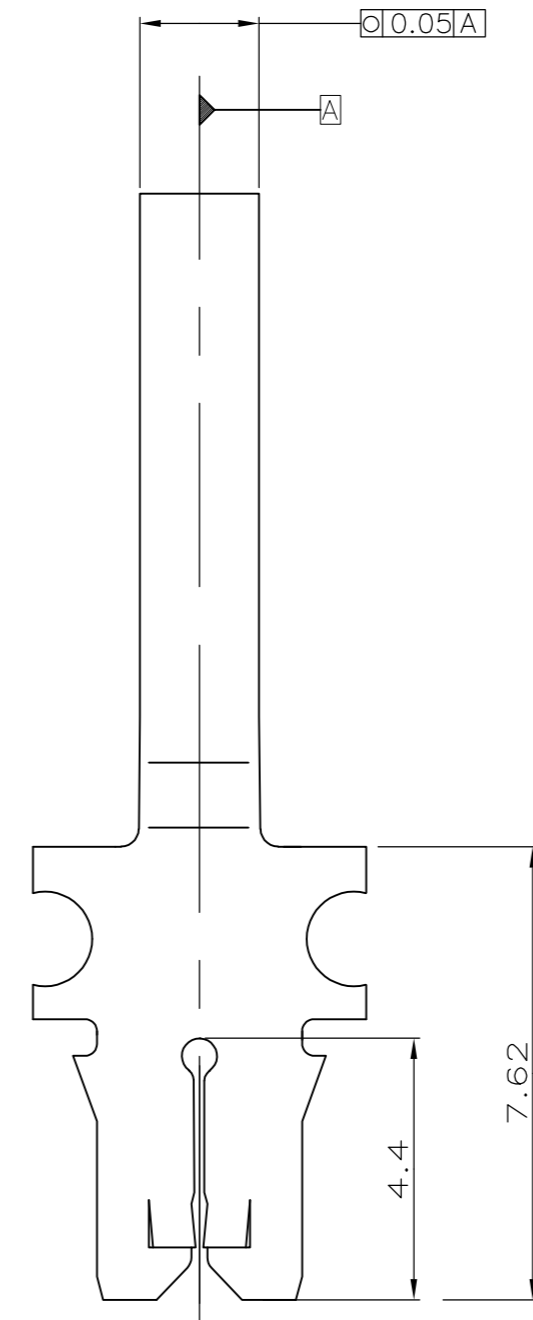
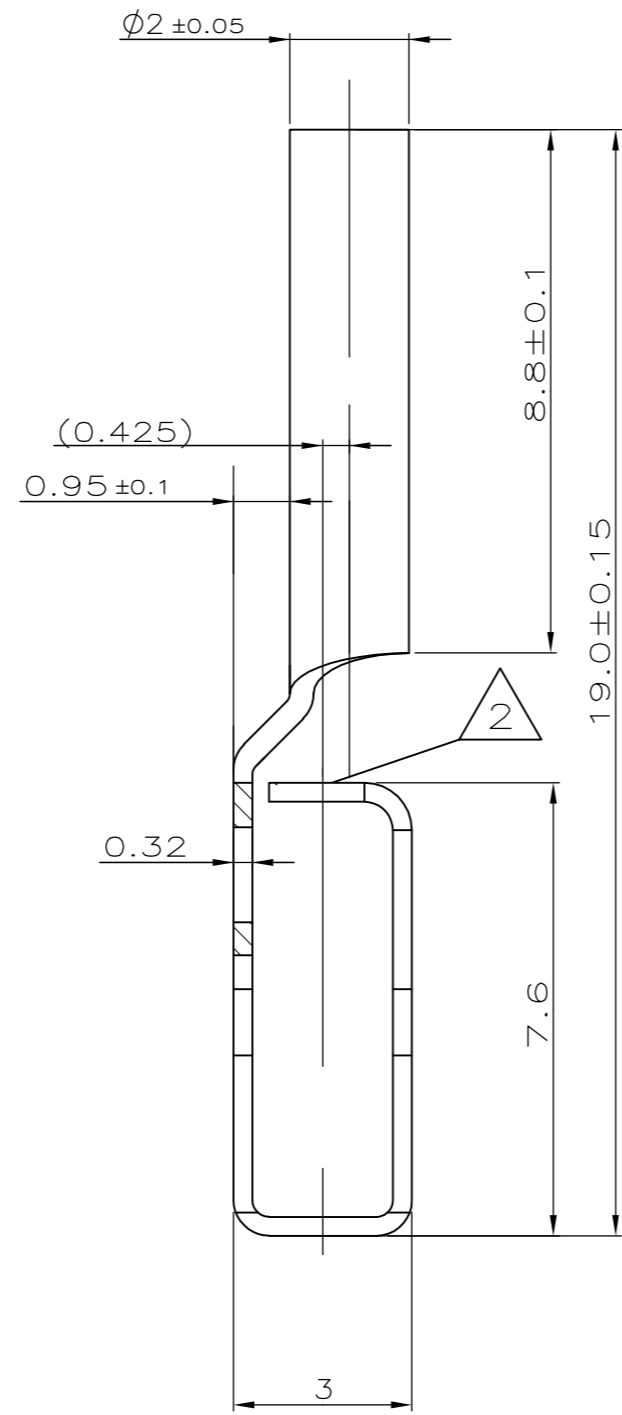
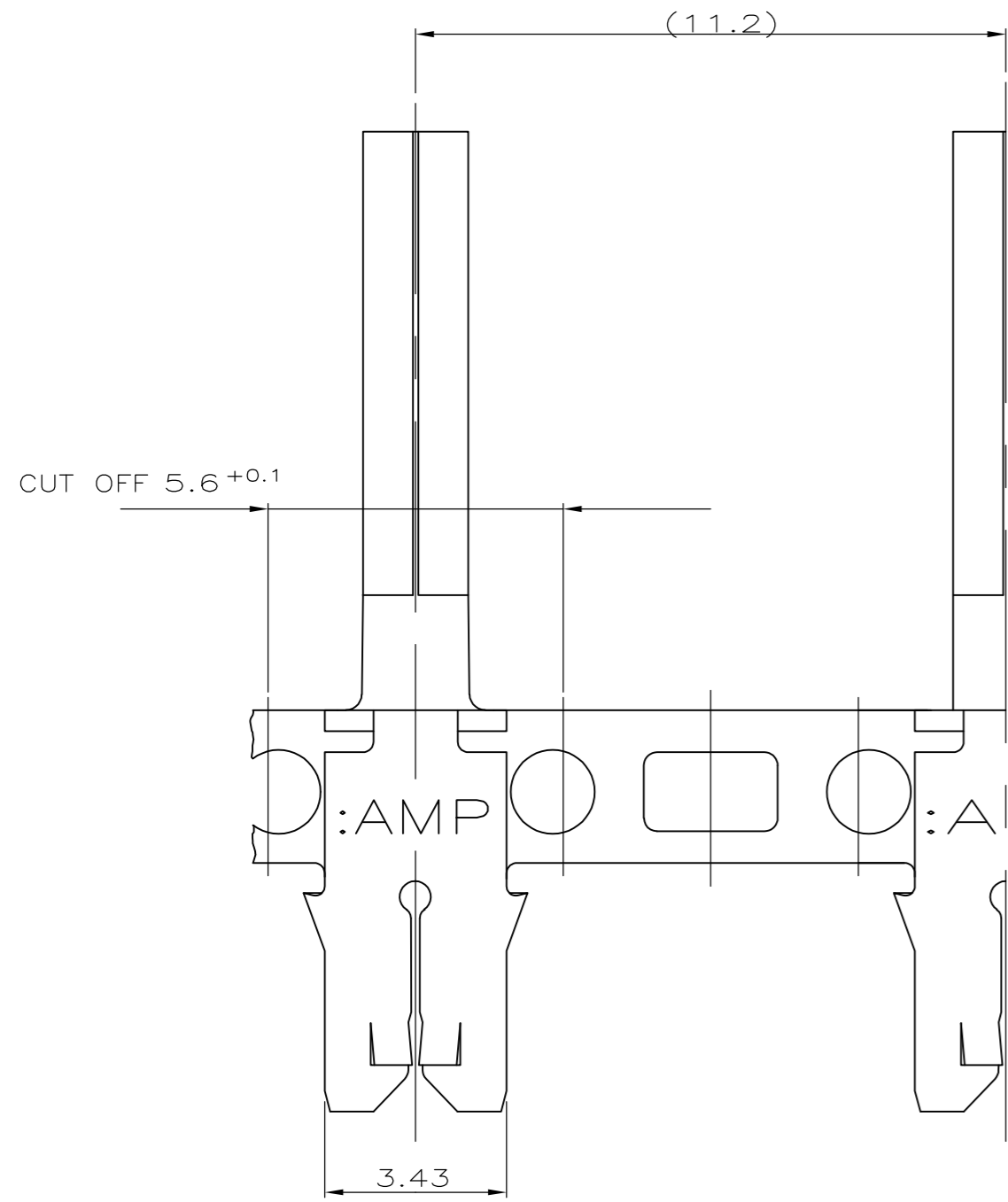
Email & Skype: info@chipsmall.com Web: www.chipsmall.com

Address: A1208, Overseas Decoration Building, #122 Zhenhua RD., Futian, Shenzhen, China



THIS DRAWING IS UNPUBLISHED. RELEASED FOR PUBLICATION
 © COPYRIGHT - By - ALL RIGHTS RESERVED.

LOC		DIST		REVISIONS			
P	LTR	DESCRIPTION		DATE	DWN	APVD	
IR	-	A	INITIAL RELEASE	08NOV2012	PKS	RRP	



- 3 Kontakt-Kammer nach Zeichnung. 411-18512
REFER CONTACT CAVITY DWG. 411-18512
- △ Kennziffer für Lackdrahtbereich (15)
IDENTIFIKATION NO. FOR MAGNET WIRE RANGE (15)
- 1 Geeignet für Kupferlackdraht (einfach) Ø0.57-0.81mm
SLOT ACCEPTS SINGLE COPPER MAGNET WIRE AWG 23-20

PRE-TINNED	BRASS	2178472-1
FINISH	MATERIAL	P/N

THIS DRAWING IS A CONTROLLED DOCUMENT.		DWN	07NOV2012	STE TE Connectivity
DIMENSIONS: mm		CHK	08NOV2012	
TOLERANCES UNLESS OTHERWISE SPECIFIED:		APVD	08NOV2012	
0 PLC ± 0.2		PRODUCT SPEC		
1 PLC ± 0.2		APPLICATION SPEC		MAG MATE PIN-KONTAKT MAG MATE STIFT-KONTAKT
2 PLC ± 0.2		WEIGHT		
3 PLC ± 0.2		SIZE	A2	C=2178472
4 PLC ± 0.2		CAGE CODE	00779	
ANGLES ± 30		DRAWING NO		RESTRICTED TO
FINISH		SCALE	10:1	SHEET 1 of 1
SEE TABLE		REV	A	
MATERIAL		CUSTOMER DRAWING		