



Chipsmall Limited consists of a professional team with an average of over 10 year of expertise in the distribution of electronic components. Based in Hongkong, we have already established firm and mutual-benefit business relationships with customers from,Europe,America and south Asia,supplying obsolete and hard-to-find components to meet their specific needs.

With the principle of “Quality Parts,Customers Priority,Honest Operation,and Considerate Service”,our business mainly focus on the distribution of electronic components. Line cards we deal with include Microchip,ALPS,ROHM,Xilinx,Pulse,ON,Everlight and Freescale. Main products comprise IC,Modules,Potentiometer,IC Socket,Relay,Connector.Our parts cover such applications as commercial,industrial, and automotives areas.

We are looking forward to setting up business relationship with you and hope to provide you with the best service and solution. Let us make a better world for our industry!



Contact us

Tel: +86-755-8981 8866 Fax: +86-755-8427 6832

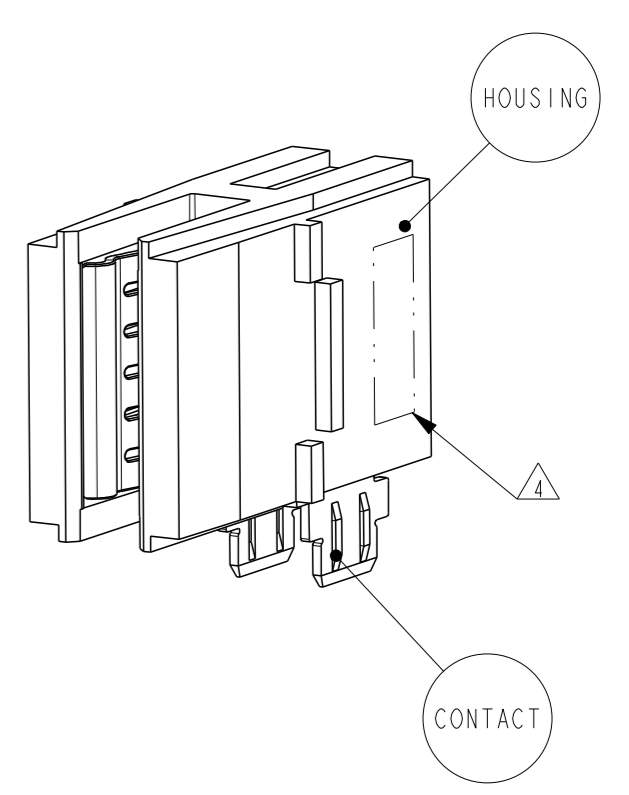
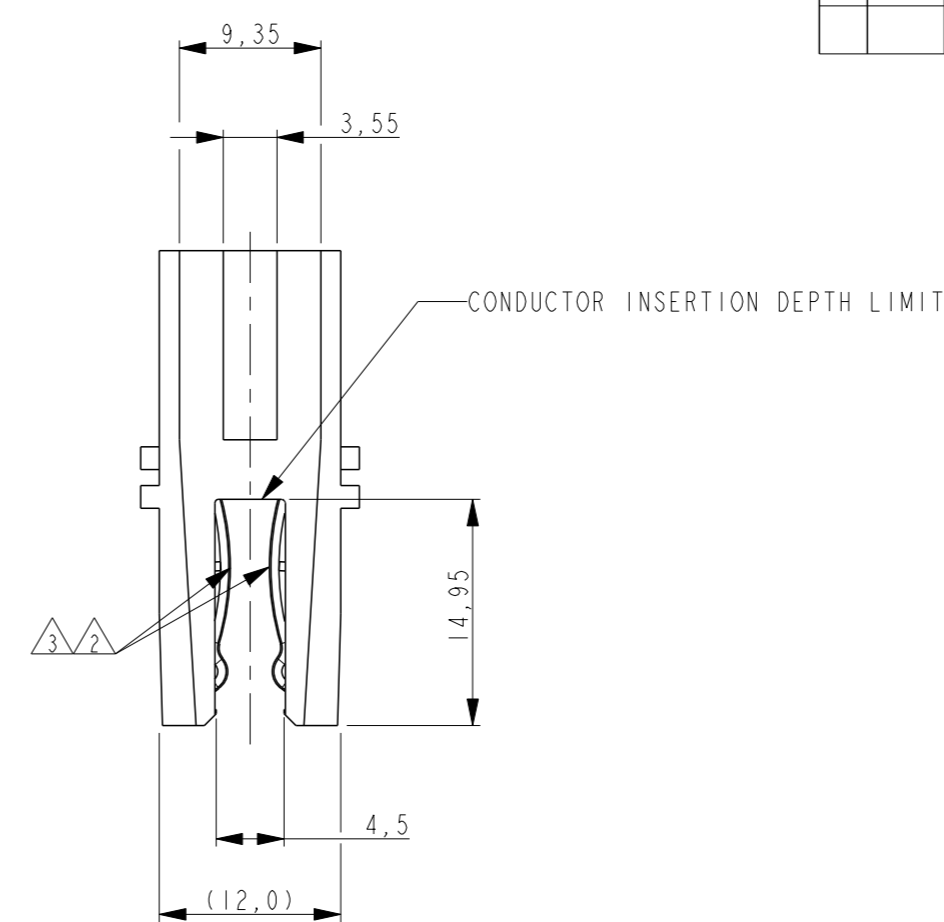
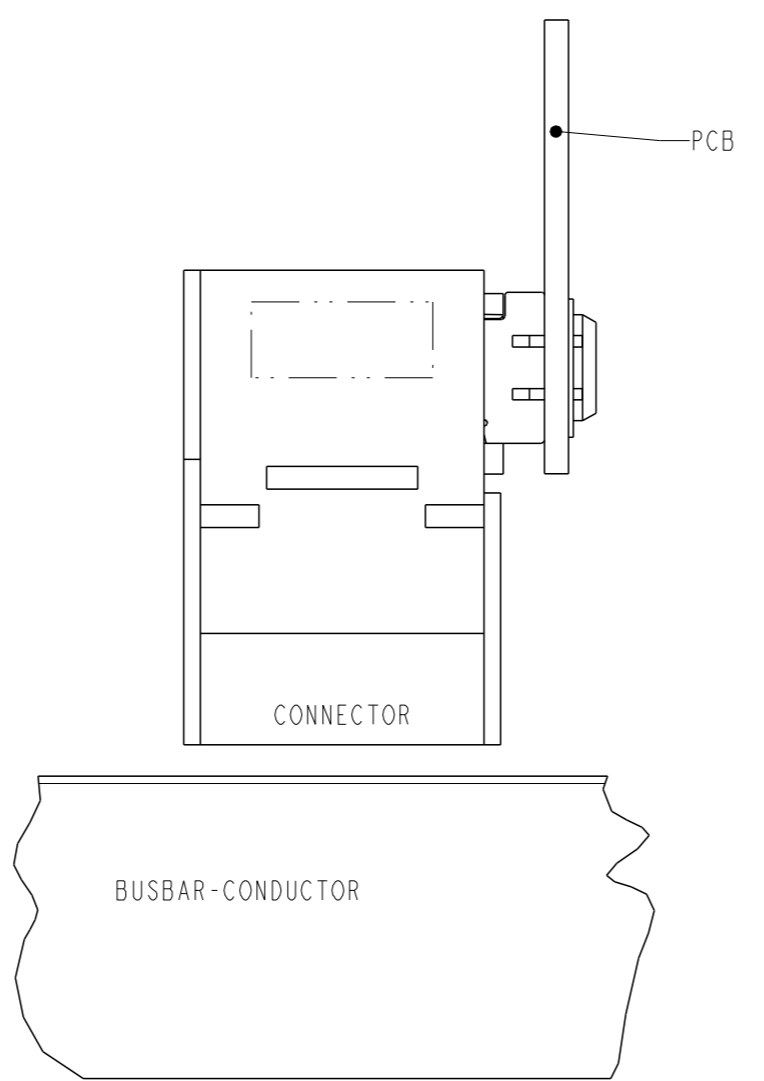
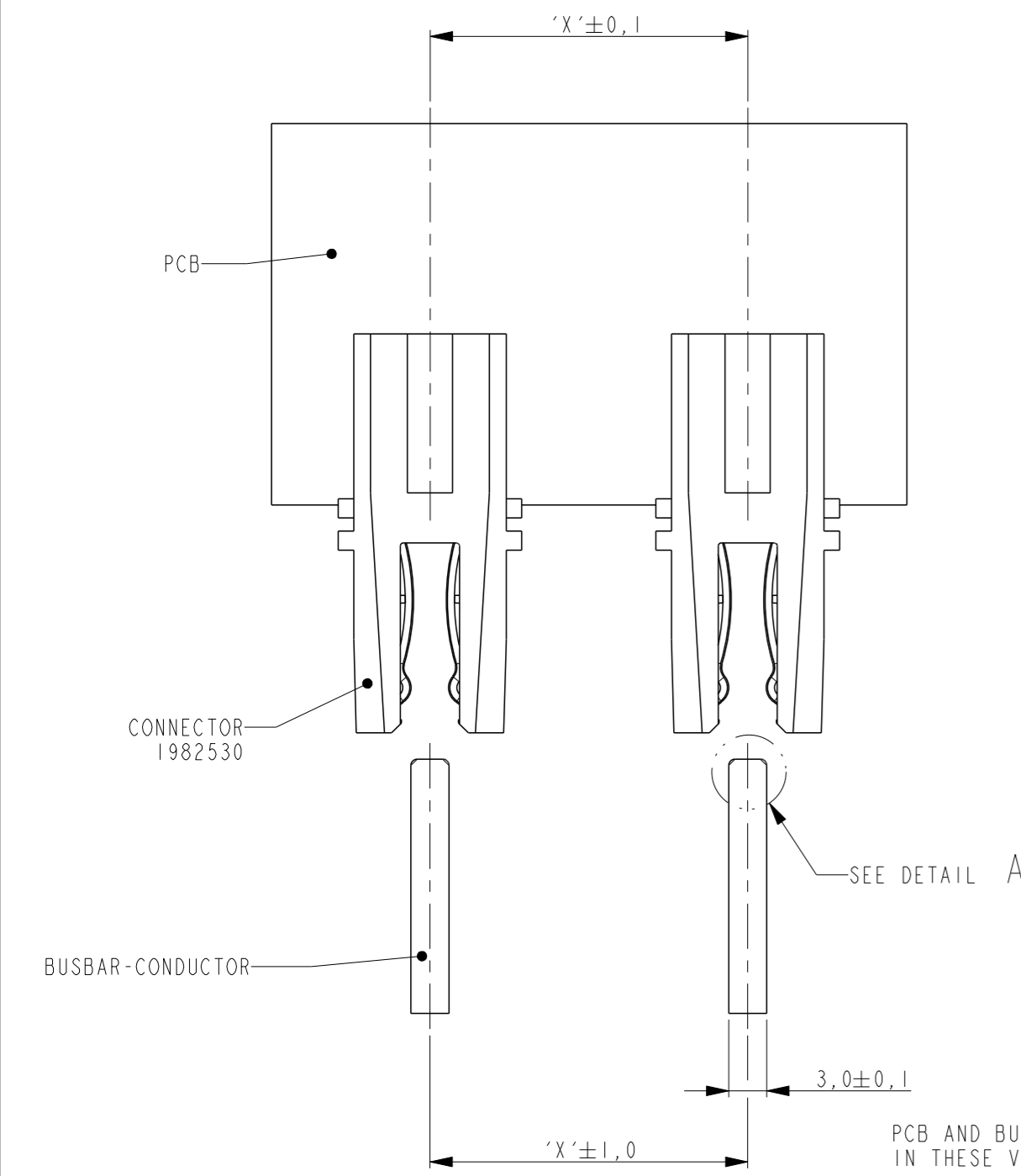
Email & Skype: info@chipsmall.com Web: www.chipsmall.com

Address: A1208, Overseas Decoration Building, #122 Zhenhua RD., Futian, Shenzhen, China



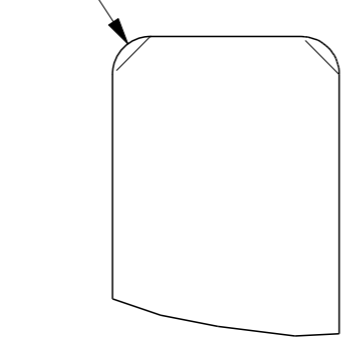
THIS DRAWING IS UNPUBLISHED. RELEASED FOR PUBLICATION
 © COPYRIGHT - BY - ALL RIGHTS RESERVED.

LOC	DIST	REVISIONS					
ES	00	P	LTR	DESCRIPTION	DATE	DWN	APVD
		A3		REV PER ECR-15-005882	20APR2015	ML	SZ

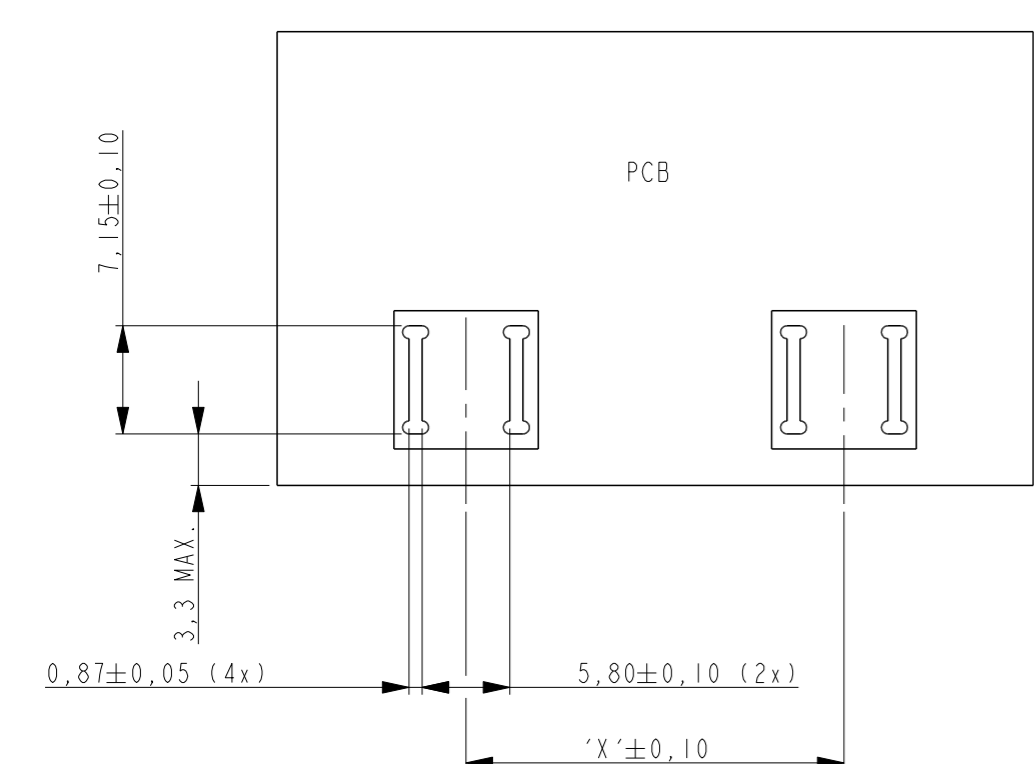
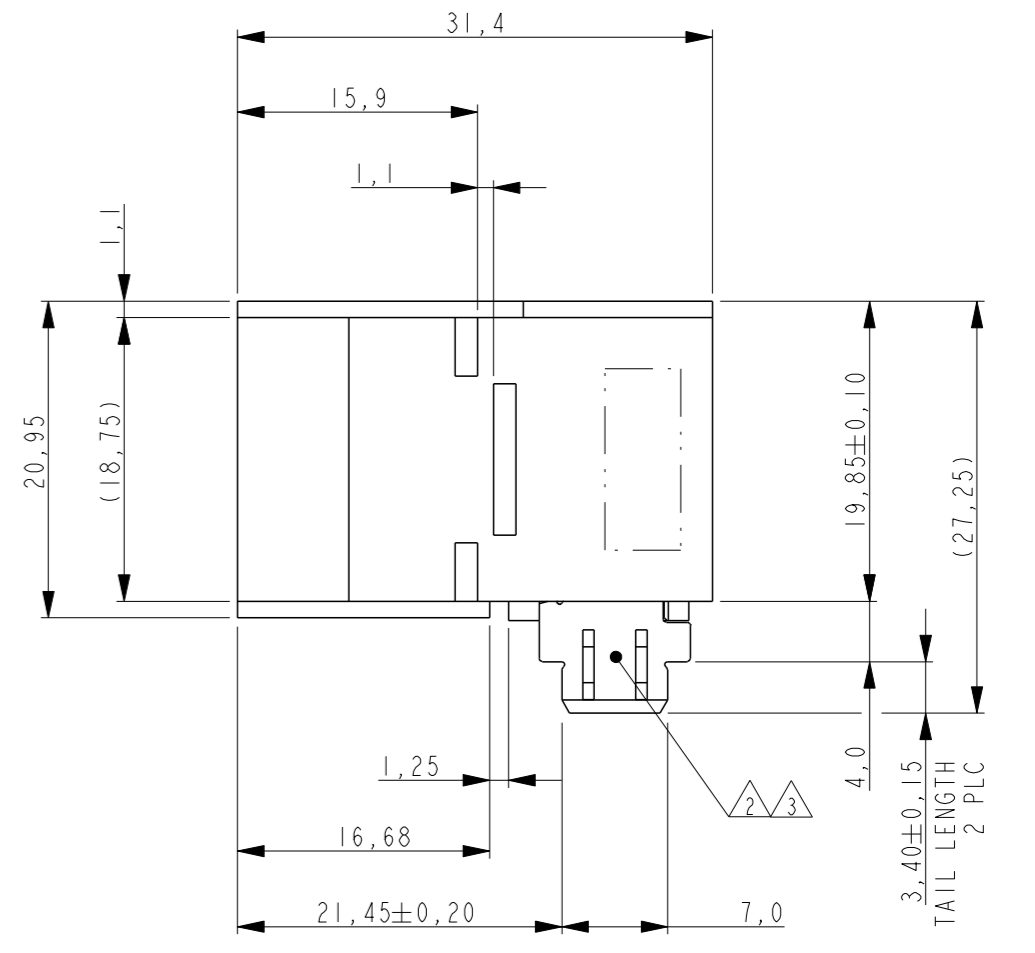
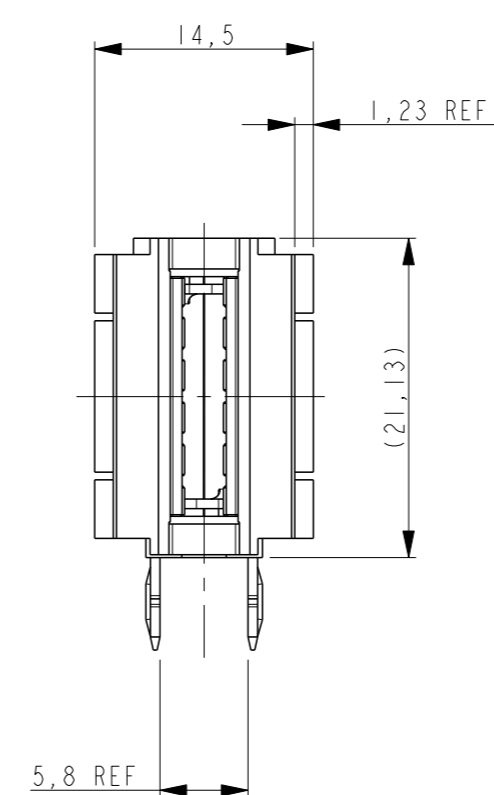


PCB AND BUSBAR-CONDUCTORS, IN THESE VIEWS ARE SHOWN FOR REFERENCE ONLY.

RADIUSED OR CHAMFERED EDGE ON BUSBAR-CONDUCTOR RECOMMENDED



DETAIL A SCALE 10:1



RECOMMENDED PCB LAY-OUT THICKNESS: 1,5 - 2,0mm

- NOTES:
- 1 PCB MUST BE SUPPORTED WHILE INSERTING THE CONNECTOR IN THE SLOTS TO AVOID BENDING OF THE BOARD.
 - 2 PLATING: 1,2µm MIN. NICKEL UNDERLAYER ALLOVER.
 - 3 3,0µm MIN. TIN IN INDICATED AREA'S.
 - 4 AREA FOR DATE-CODE.
 5. MATERIAL:
HOUSING: THERMOPLASTIC, BLACK, UL94 V-0
POWER CONTACT: HIGH CONDUCTIVITY COPPER ALLOY
 - 6 LUBRICANT ON CONTACT MATING AREA.

6	CROWN CLIP JUNIOR SOLDER VERSION W/ LUBRICANT	2178517-2	2
	CROWN CLIP JUNIOR SOLDER VERSION	2178517-1	1
	DESCRIPTION	PART NUMBER	ITEM

THIS DRAWING IS A CONTROLLED DOCUMENT.		DWN SUDHAKAR 09 Jan 13	TE Connectivity	
DIMENSIONS: mm		CHK SUDHAKAR 09 Jan 13		
TOLERANCES UNLESS OTHERWISE SPECIFIED:		APVD RAJENDRA 09 Jan 13	NAME PLUGGABLE BUSBAR CONNECTOR SOLDER VERSION CROWN CLIP JUNIOR	
		PRODUCT SPEC 108-19360	RESTRICTED TO	
MATERIAL		APPLICATION SPEC 114-19128	SIZE A2	CAGE CODE 00779
		WEIGHT -	DRAWING NO C=2178517	
		Customer Drawing	SCALE 2:1	SHEET 1 OF 1
				REV A3