



Chipsmall Limited consists of a professional team with an average of over 10 year of expertise in the distribution of electronic components. Based in Hongkong, we have already established firm and mutual-benefit business relationships with customers from,Europe,America and south Asia,supplying obsolete and hard-to-find components to meet their specific needs.

With the principle of “Quality Parts,Customers Priority,Honest Operation,and Considerate Service”,our business mainly focus on the distribution of electronic components. Line cards we deal with include Microchip,ALPS,ROHM,Xilinx,Pulse,ON,Everlight and Freescale. Main products comprise IC,Modules,Potentiometer,IC Socket,Relay,Connector.Our parts cover such applications as commercial,industrial, and automotives areas.

We are looking forward to setting up business relationship with you and hope to provide you with the best service and solution. Let us make a better world for our industry!



Contact us

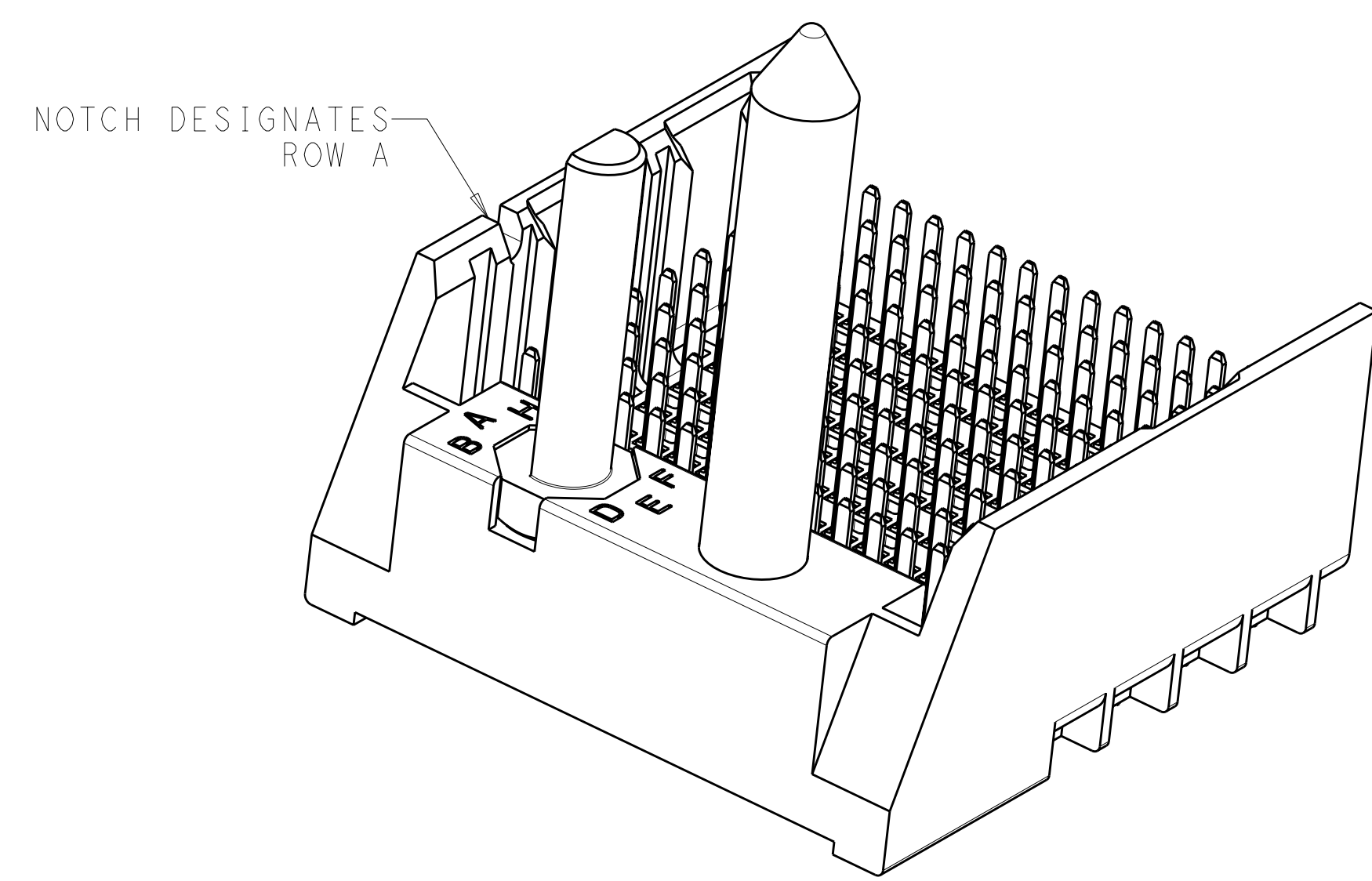
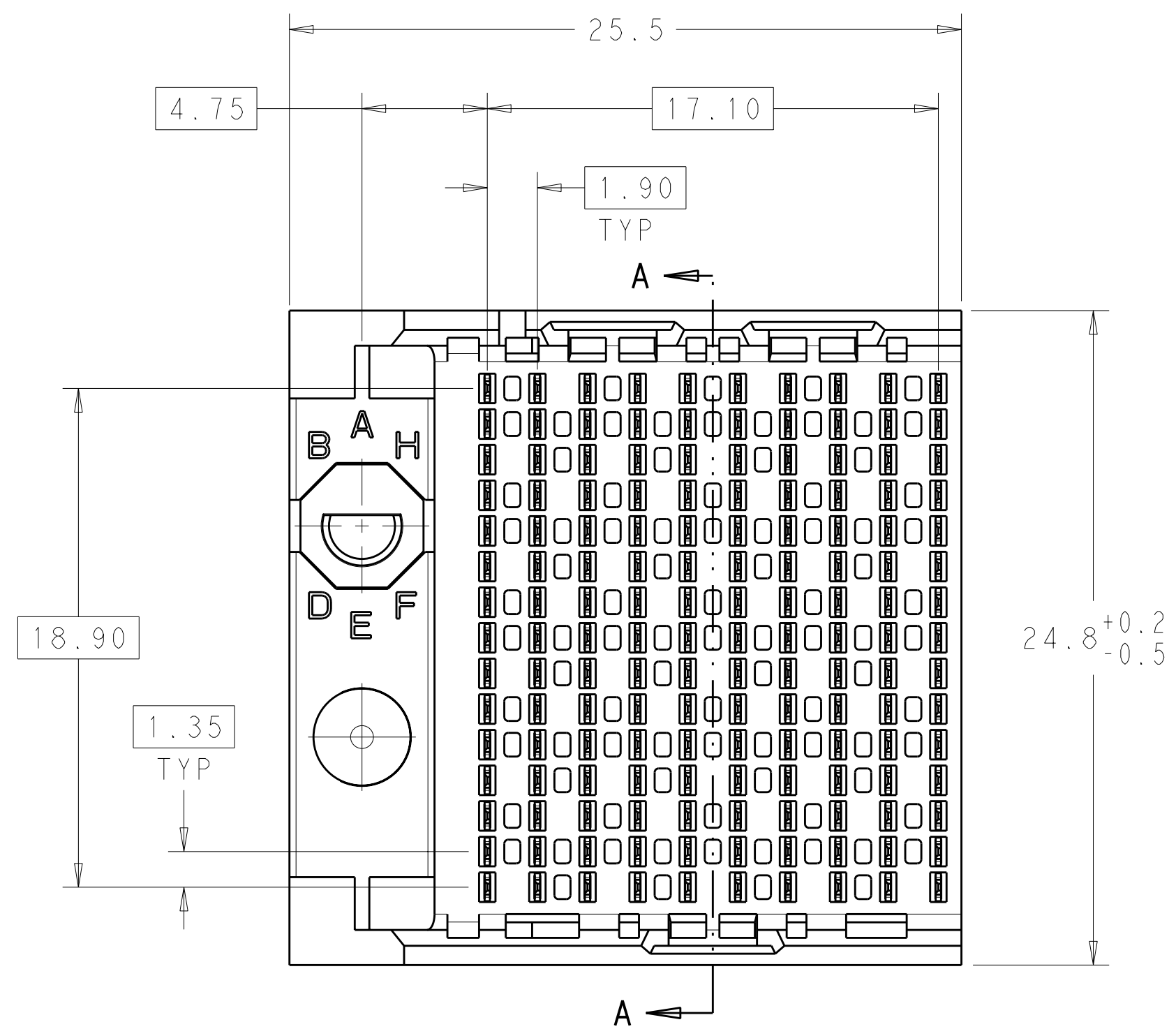
Tel: +86-755-8981 8866 Fax: +86-755-8427 6832

Email & Skype: info@chipsmall.com Web: www.chipsmall.com

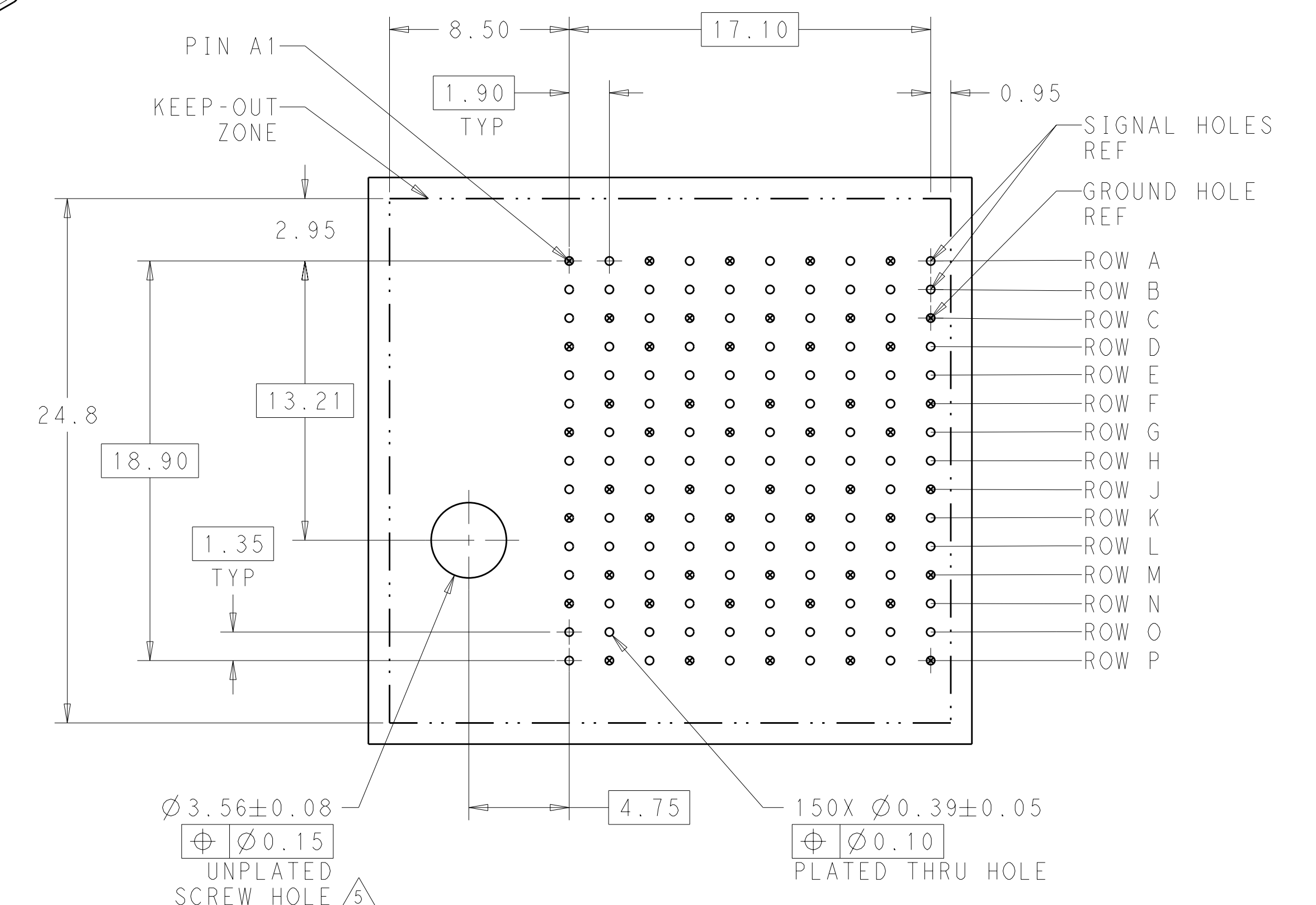
Address: A1208, Overseas Decoration Building, #122 Zhenhua RD., Futian, Shenzhen, China



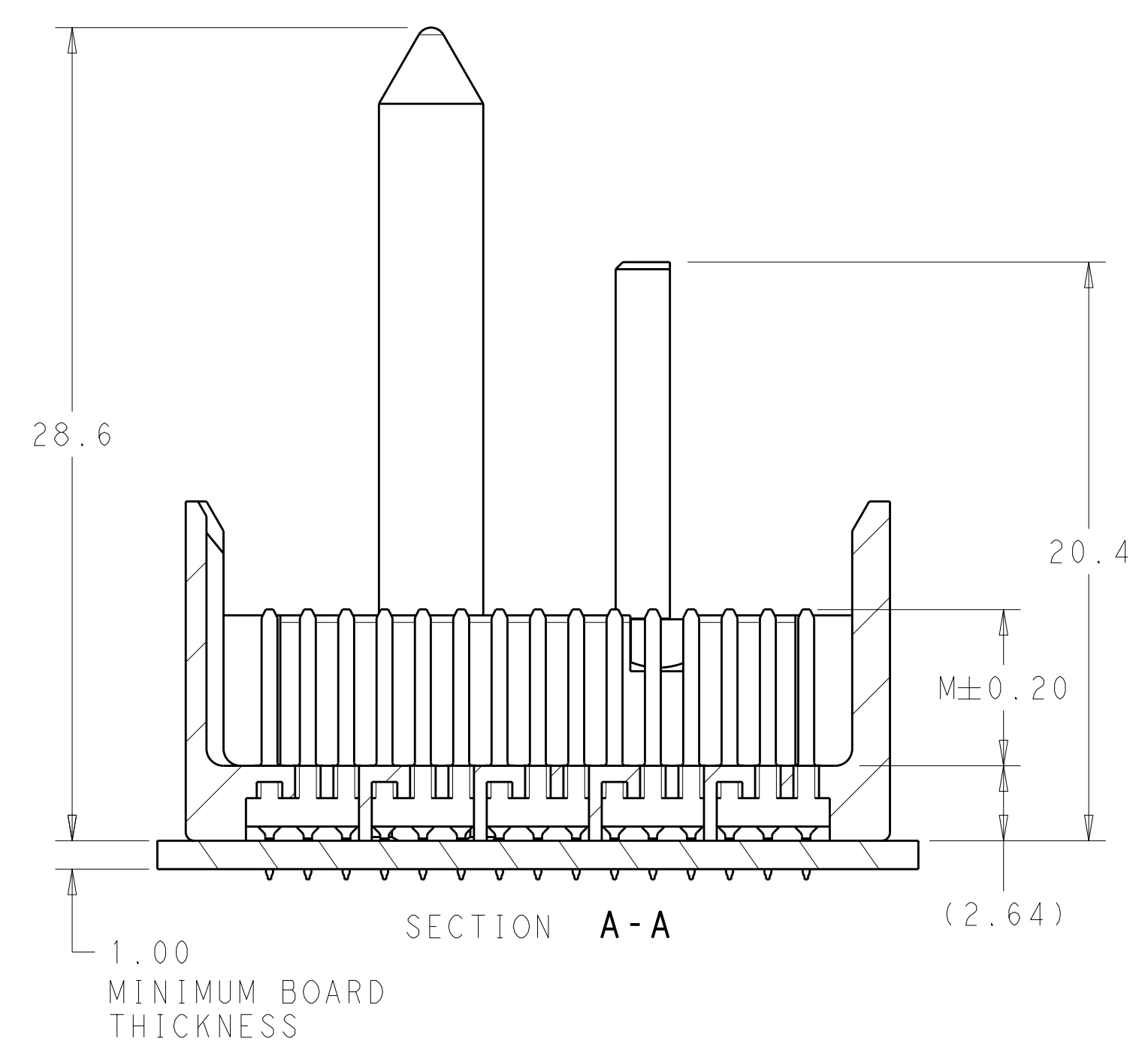
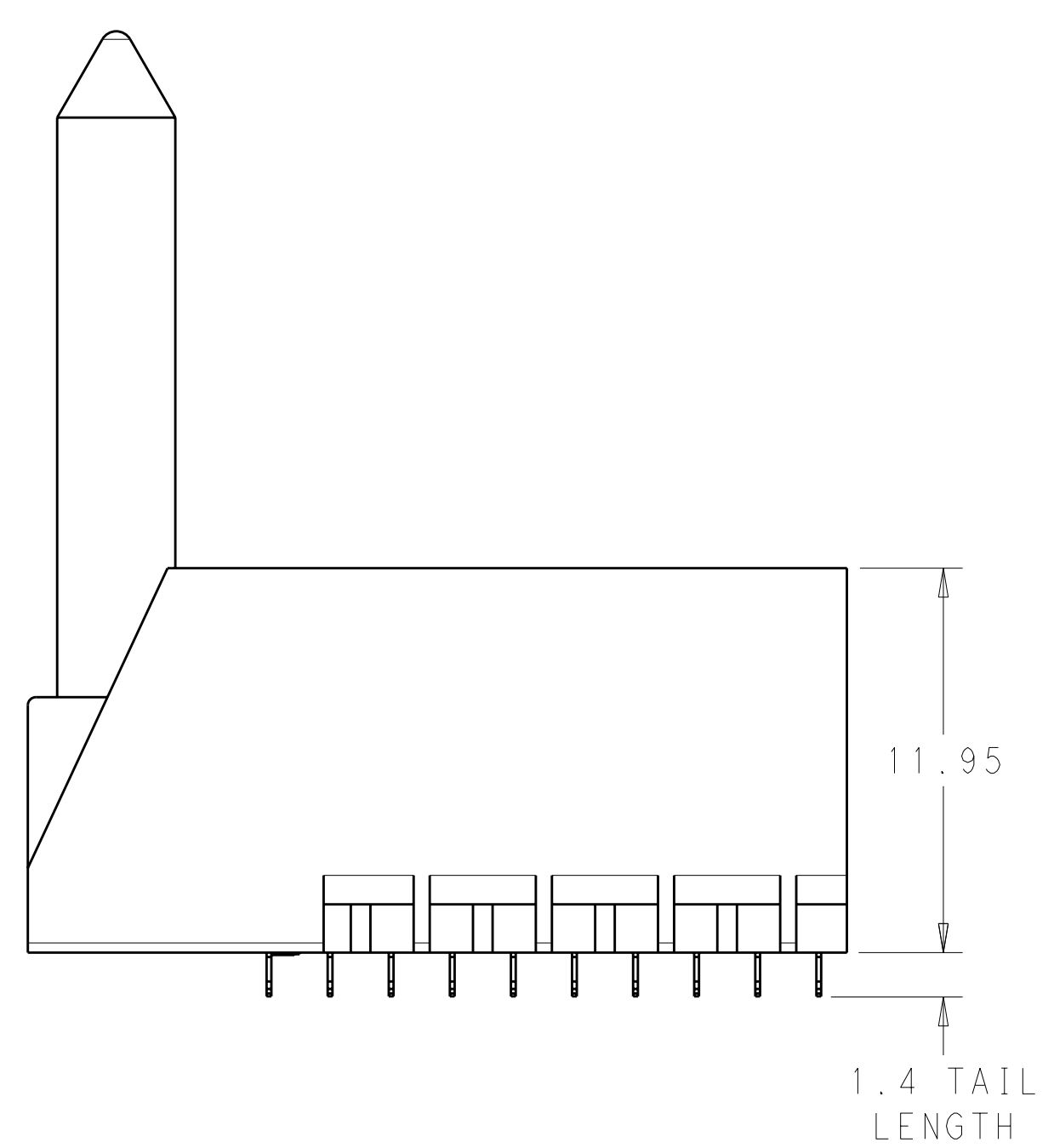
LOC		DIST		REVISIONS			
AD	00	REV	DATE	BY	CHKD	APPD	
1			24FEB2011	JKS		JE	
A			24FEB2012	BC		DY	



- 1 MATERIAL:
HOUSING: LCP, GLASS FILLED, UL94V-0.
TERMINALS: HIGH PERFORMANCE COPPER ALLOY.
- 2 FINISH:
30µ" MIN GOLD IN CONTACT AREA. SELECTIVE TIN ON PCB TAILS, NICKEL OVERALL.
- 3 FINISH:
30µ" MIN GOLD IN CONTACT AREA. SELECTIVE TIN-LEAD ON PCB TAILS, NICKEL OVERALL.
- 4. SCREWS PACKAGED IN END OF PACKAGING TUBE.
- 5 FOR GROUNDED GUIDE PIN USE Ø3.56±0.08 PTH, Ø3.66 DRILL, AND Ø6.5 PAD.
- 6. KEYING PIN SHOWN IN POSITION A, SEE KEYING CHART ON SHEET 2 FOR OTHER POSITIONS.



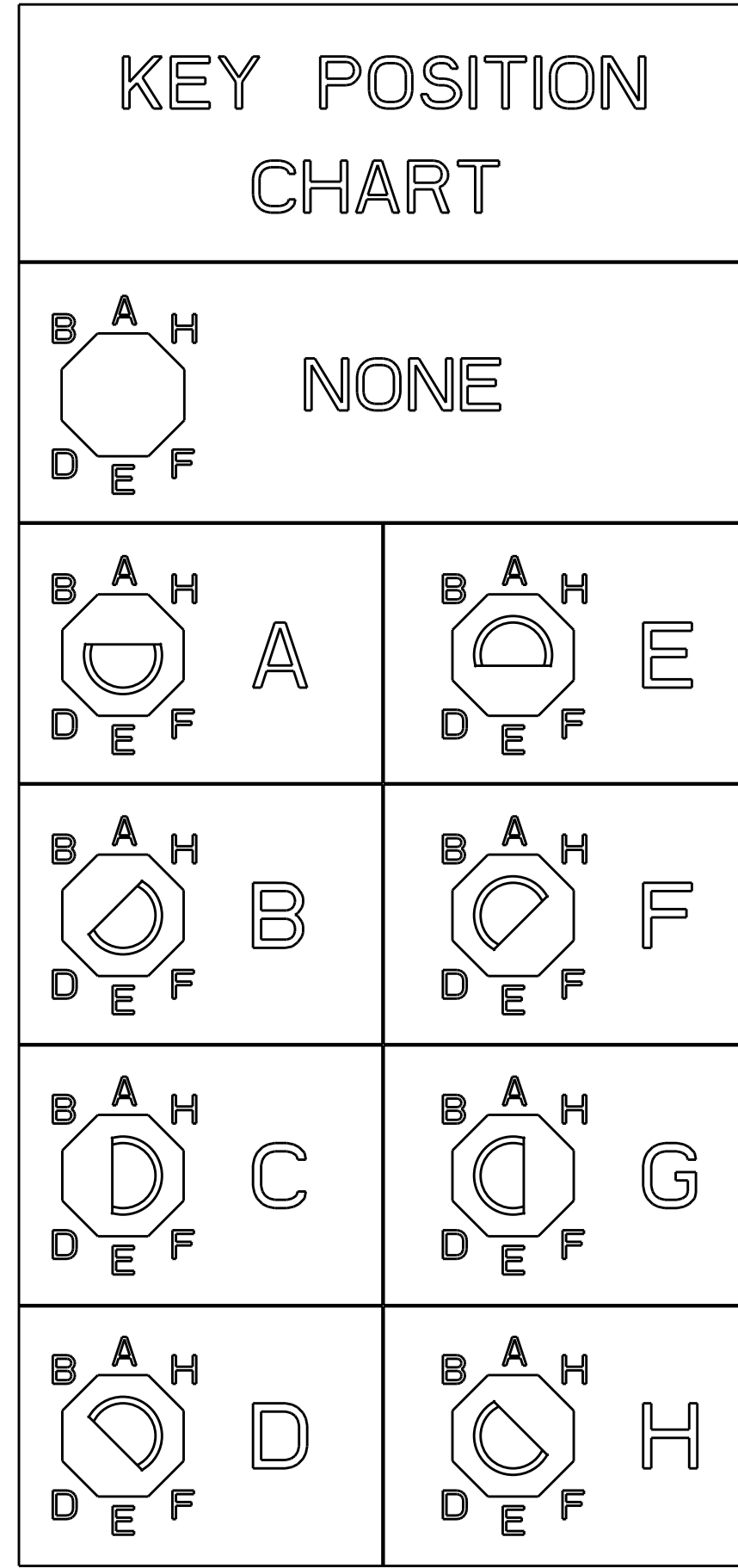
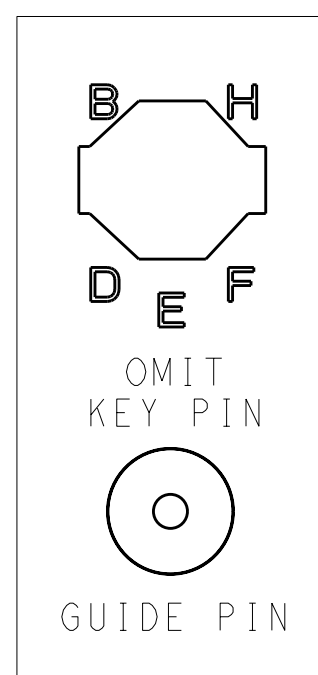
LEFT GUIDED BACKPLANE HOLE PATTERN (CONNECTOR SIDE)



THIS DRAWING IS A CONTROLLED DOCUMENT.		DWN J. K. SHOBER 24FEB2011	TE Connectivity
DIMENSIONS: mm		CHK J. EARY 24FEB2011	
TOLERANCES UNLESS OTHERWISE SPECIFIED:		APVD J. EARY 24FEB2011	NAME IMPACT, 5 PAIR, 10 COLUMN, HEADER
9 PLC ±	0.25	PRODUCT SPEC	LEFT GUIDED, OPEN END WALL
1 PLC ±	0.13	APPLICATION SPEC	SELECT LOAD, SIGNAL MODULE, 0.39 PTH
5 PLC ±	0.13	SIZE CAGE CODE DRAWING NO	A1100779C=2180313
4 PLC ±	0.13	WEIGHT	
ANGLES ±	0.13	CUSTOMER DRAWING	SCALE 5:1 SHEET 1 OF 2 REV A
MATERIAL	SEE TABLE		

LOC	DIST	REV	DATE	BY	APPD
AD	00	-	-	-	-
DESCRIPTION			DATE	DWN	APPD
SEE SHEET 1			-	-	-

2180313-1										
PART NUMBER		FINISH								
CONTACT LAYOUT										
A = 4.5mm (DIM M)										
B = 4.9mm (DIM M)										
C = 5.5mm (DIM M)										
COLUMNS										
	1	2	3	4	5	6	7	8	9	10
A	A	C	C	C	C	C	C	C	C	C
B	C	C	C	C	C	C	C	C	C	C
C	C	C	C	C	C	C	C	C	C	C
D	C	C	C	C	C	C	C	C	C	C
E	C	C	C	C	C	C	C	C	C	C
F	C	C	C	C	C	C	C	C	C	C
G	C	C	C	C	C	C	C	C	C	C
H	C	C	C	C	C	C	C	C	C	C
J	C	C	C	C	C	C	C	C	C	C
K	C	C	C	C	C	C	C	C	C	C
L	C	C	C	C	C	C	C	C	C	C
M	C	C	C	C	C	C	C	C	C	C
N	C	C	C	C	C	C	C	C	C	C
O	C	C	C	C	C	C	C	C	C	C
P	C	C	C	C	C	C	C	C	C	C



REFER TO WWW.TE.COM FOR PRODUCT AVAILABILITY

THIS DRAWING IS A CONTROLLED DOCUMENT.		DWN	J. K. SHOBER	24FEB2011
DIMENSIONS:		CHK	J. EARY	24FEB2011
mm	TOLERANCES UNLESS OTHERWISE SPECIFIED:	APVD	J. EARY	24FEB2011
	9 PLC ±	NAME	IMPACT, 5 PAIR, 10 COLUMN, HEADER	
	2 PLC ±0.25	PRODUCT SPEC	LEFT GUIDED, OPEN END WALL	
	5 PLC ±0.13	APPLICATION SPEC	SELECT LOAD, SIGNAL MODULE, 0.39 PTH	
	4 PLC ±	SIZE	CAGE CODE	DRAWING NO
	ANGLES ±	WEIGHT	A1100779	C=2180313
	FINISH ±	CUSTOMER DRAWING	SCALE	5:1 SHEET 2 OF 2 REV A