



Chipsmall Limited consists of a professional team with an average of over 10 year of expertise in the distribution of electronic components. Based in Hongkong, we have already established firm and mutual-benefit business relationships with customers from,Europe,America and south Asia,supplying obsolete and hard-to-find components to meet their specific needs.

With the principle of “Quality Parts,Customers Priority,Honest Operation,and Considerate Service”,our business mainly focus on the distribution of electronic components. Line cards we deal with include Microchip,ALPS,ROHM,Xilinx,Pulse,ON,Everlight and Freescale. Main products comprise IC,Modules,Potentiometer,IC Socket,Relay,Connector.Our parts cover such applications as commercial,industrial, and automotives areas.

We are looking forward to setting up business relationship with you and hope to provide you with the best service and solution. Let us make a better world for our industry!



Contact us

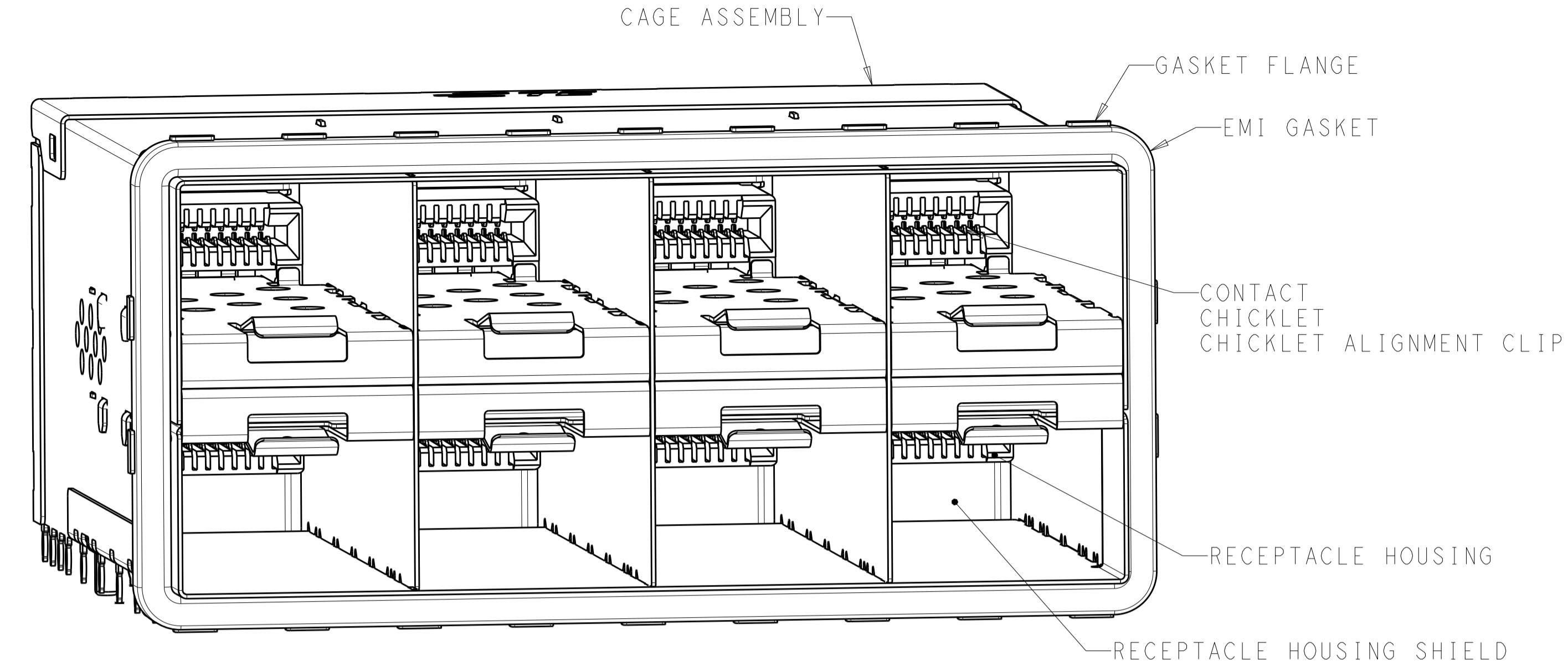
Tel: +86-755-8981 8866 Fax: +86-755-8427 6832

Email & Skype: info@chipsmall.com Web: www.chipsmall.com

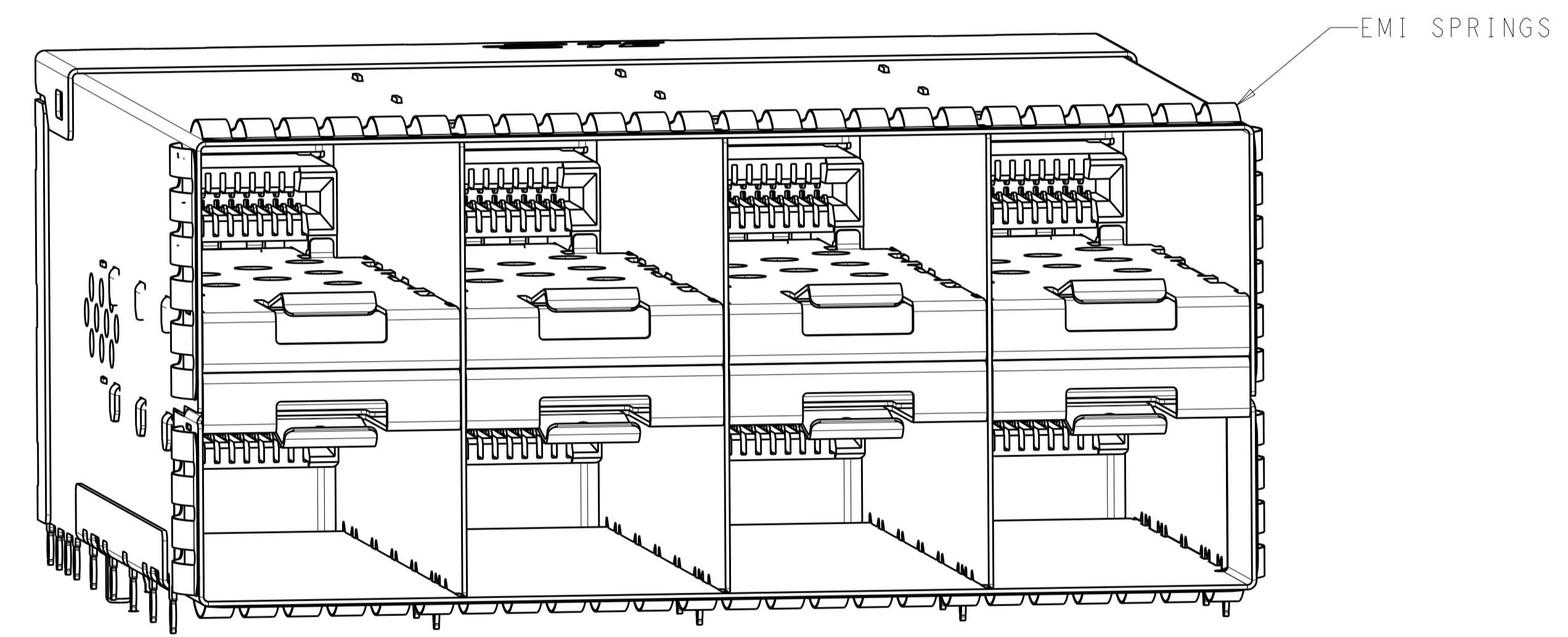
Address: A1208, Overseas Decoration Building, #122 Zhenhua RD., Futian, Shenzhen, China



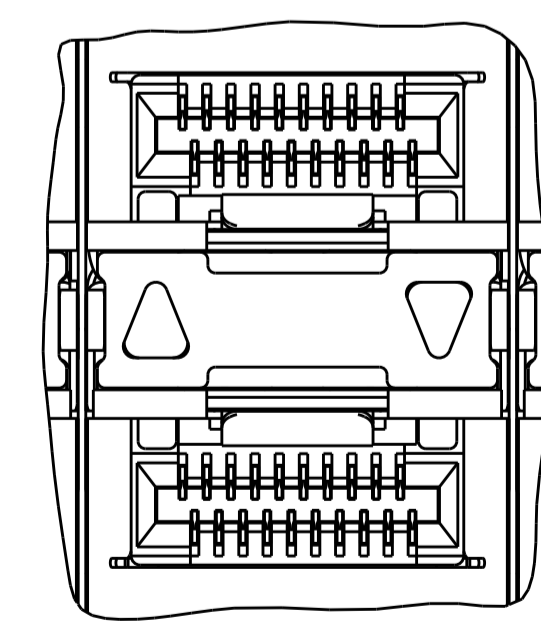
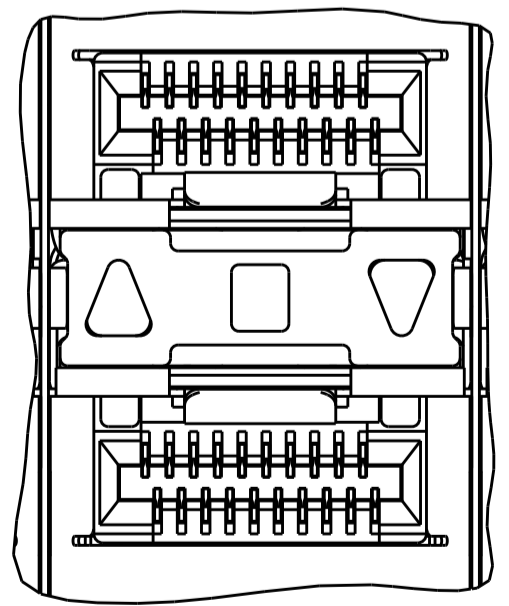
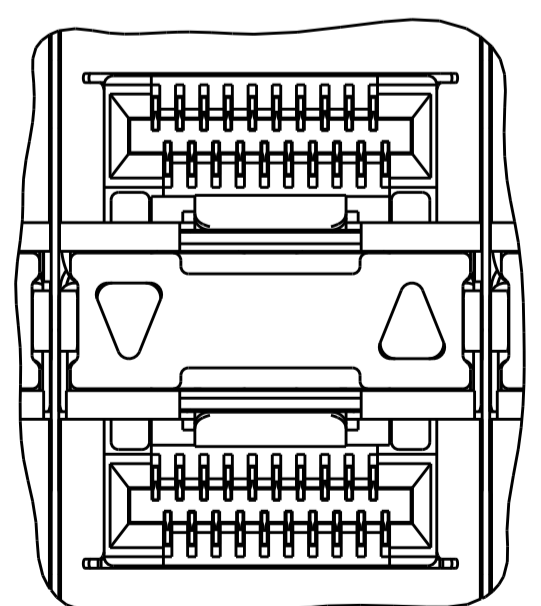
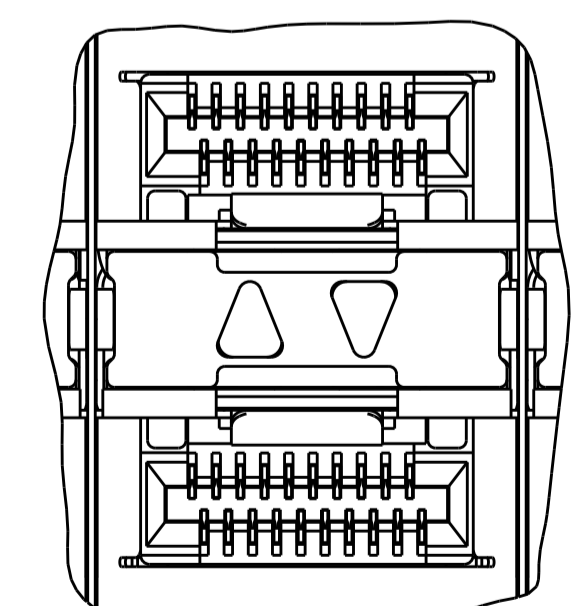
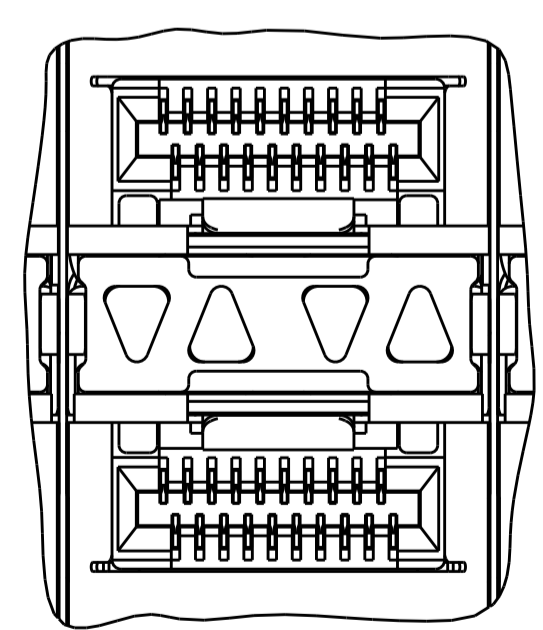
LOC	DIST	REVISIONS			
P	LTN	DESCRIPTION	DATE	DMN	APVD
A		RELEASED PER ECO-14-008758	12JUN2014	CJV	PAR
B		REVISED PER ECO-15-010819	10AUG2015	PP	SH
C		REVISED PER ECO-16-004263	18MAR2016	KD	SH
C1		REVISED PER ECO-16-013892	11JUL2016	PP	SH



2180324-1
SCALE 4:1



2180324-5
SCALE 4:1



INNER/OUTER LIGHT PIPES
2180324-2, 2180324-6
SCALE 4:1

INNER LIGHT PIPES
2180324-3, 2180324-7
SCALE 4:1

OUTER LIGHT PIPES
2180324-4, 2180324-8
SCALE 4:1

CENTER/REVERSED OUTER
1-2180324-7, 1-2180324-9
SCALE 4:1

REVERSED OUTER LIGHT PIPES
1-2180324-8, 2-2180324-0
SCALE 4:1

- MATERIALS:
CAGE ASSEMBLY - NICKEL-SILVER ALLOY PER ASTM B 122
CONNECTOR HOUSING - LCP, BLACK, UL 94V-0 RATED
CONNECTOR HOUSING SHIELD - COPPER ALLOY
CHICKLET - LCP, BLACK, UL 94V-0 RATED
CHICKLET ALIGNMENT CLIP - PBT
CONTACT - COPPER ALLOY
EMI GASKET - ELASTOMERIC
GASKET FLANGE - STAINLESS STEEL
EMI SPRINGS - PHOSPHOR BRONZE PER ASTM B 103,
0.8µm MIN TIN PER ASTM B 545
LIGHT PIPE - POLYCARBONATE
LIGHT PIPE HOUSING - ZINC ALLOY
 - CONTACT FINISH:
CONFORMS TO THE REQUIREMENTS OF PRODUCT SPECIFICATION 108-2481,
BASED ON EIA/ECA-364-1000.01A, (CONTROLLED ENVIRONMENT
APPLICATIONS) ON MATING INTERFACE, TIN ON NEEDLE EYE
 - PCB MINIMUM THICKNESS = 1.5mm
- △ FOR HOLE SIZE AND PLATINGS,
SEE APPLICATION SPECIFICATION 114-13319
- △ LIGHT PIPE PAD LAYOUT IS FOR 0805 LOW PROFILE
LED PACKAGE WITH A HEIGHT OF 0.8mm
- △ DIMENSIONS APPLY FOR EMI SPRINGS ONLY
- △ THE ENTIRE AREA OF THE CONNECTOR FOOTPRINT, INDICATED BY THE
DASHED LINE, TO BE CONSIDERED THE KEEPOUT AREA FOR COMPONENTS
AND SIGNAL TRACES, TOP SIDE ONLY, TOP SIDE TRACES ALLOWED
WITHIN CONNECTOR HOLE PATTERN

59.5	EMI SPRING AIRFLOW ENHANCE TYPE	OUTER	3-2180324-3	
59.5	EMI SPRING AIRFLOW ENHANCE TYPE	CENTER/REVERSED OUTER	3-2180324-2	
59.5	EMI SPRING AIRFLOW ENHANCE TYPE	NONE	3-2180324-1	
62.25	EMI GASKET AIRFLOW ENHANCE TYPE	NONE	3-2180324-0	
59.5	EMI SPRINGS	REVERSED OUTER	2-2180324-0	
		CENTER/REVERSED OUTER	1-2180324-9	
62.25	EMI GASKET	REVERSED OUTER	1-2180324-8	
		CENTER/REVERSED OUTER	1-2180324-7	
59.5	EMI SPRINGS	OUTER	2180324-8	
		INNER	2180324-7	
		INNER/OUTER	2180324-6	
62.25	EMI GASKET	NONE	2180324-5	
		OUTER	2180324-4	
		INNER	2180324-3	
		INNER/OUTER	2180324-2	
(E)	CAGE TYPE	NONE	2180324-1	
		LIGHT PIPE CONFIGURATION		PART NUMBER

THIS DRAWING IS A CONTROLLED DOCUMENT.

DMN: M. E. CONNER 14SEP2011
CHK: M. D. MORRISON 16SEP2011
APVD: M. D. MORRISON 25OCT2011

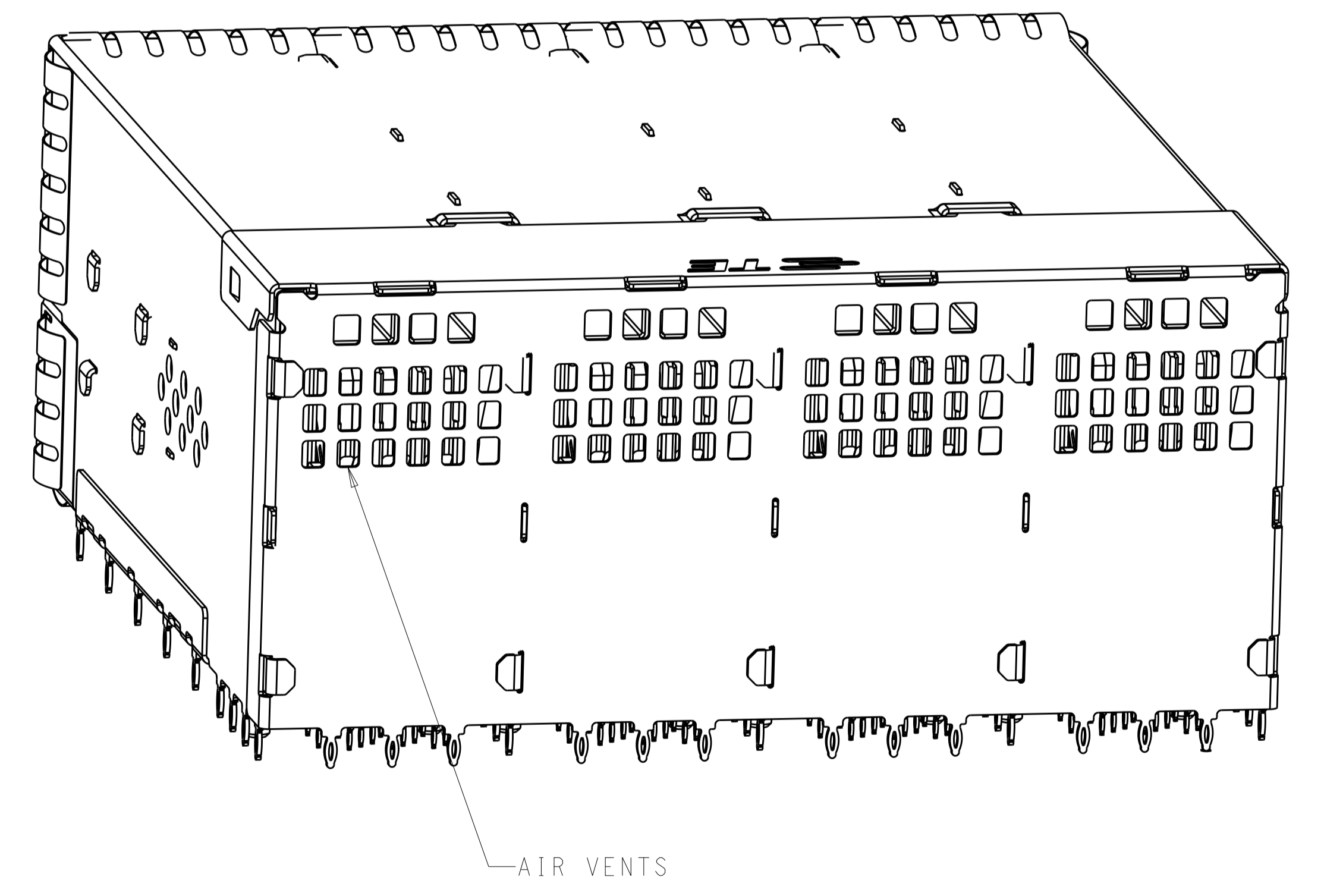
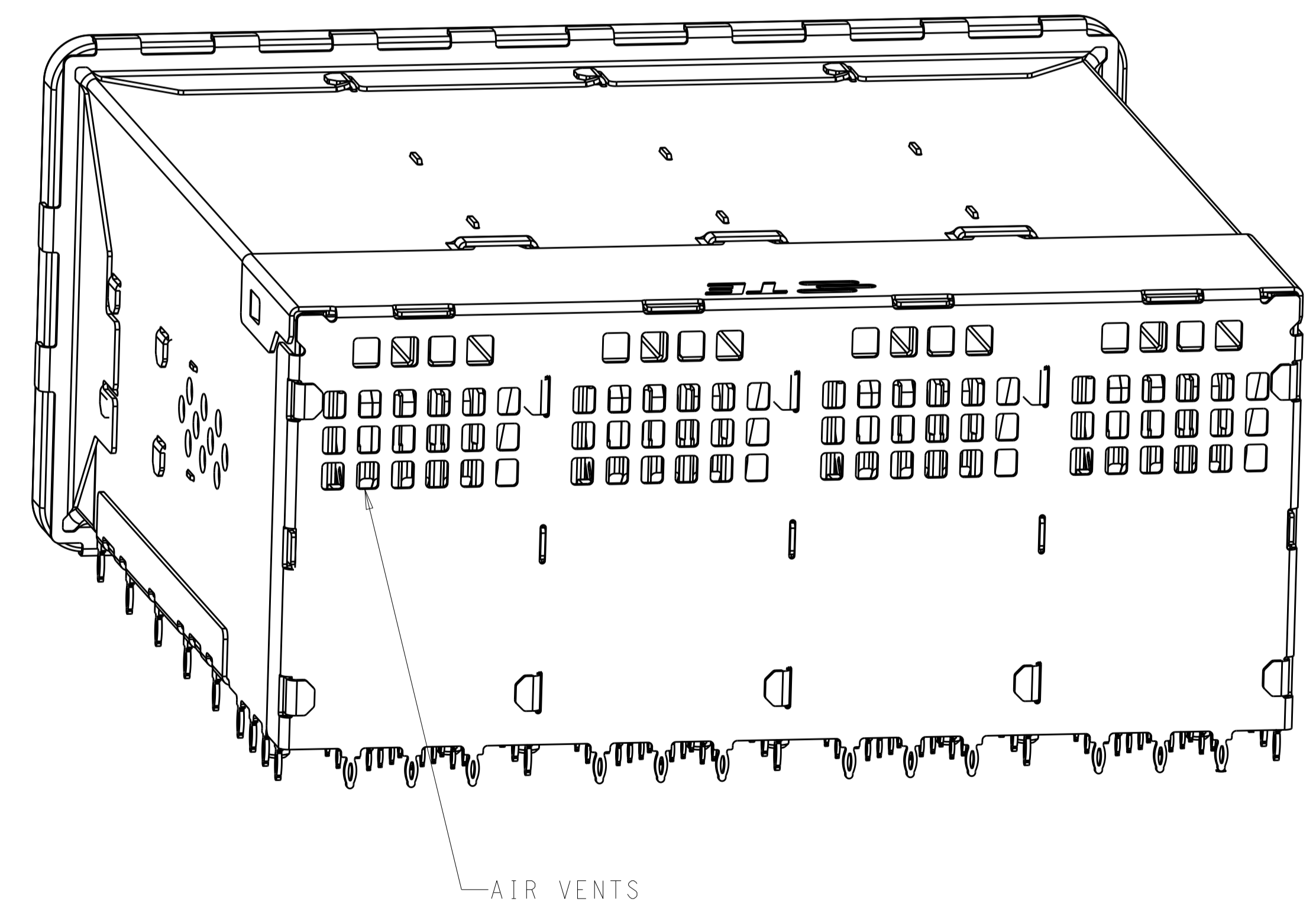
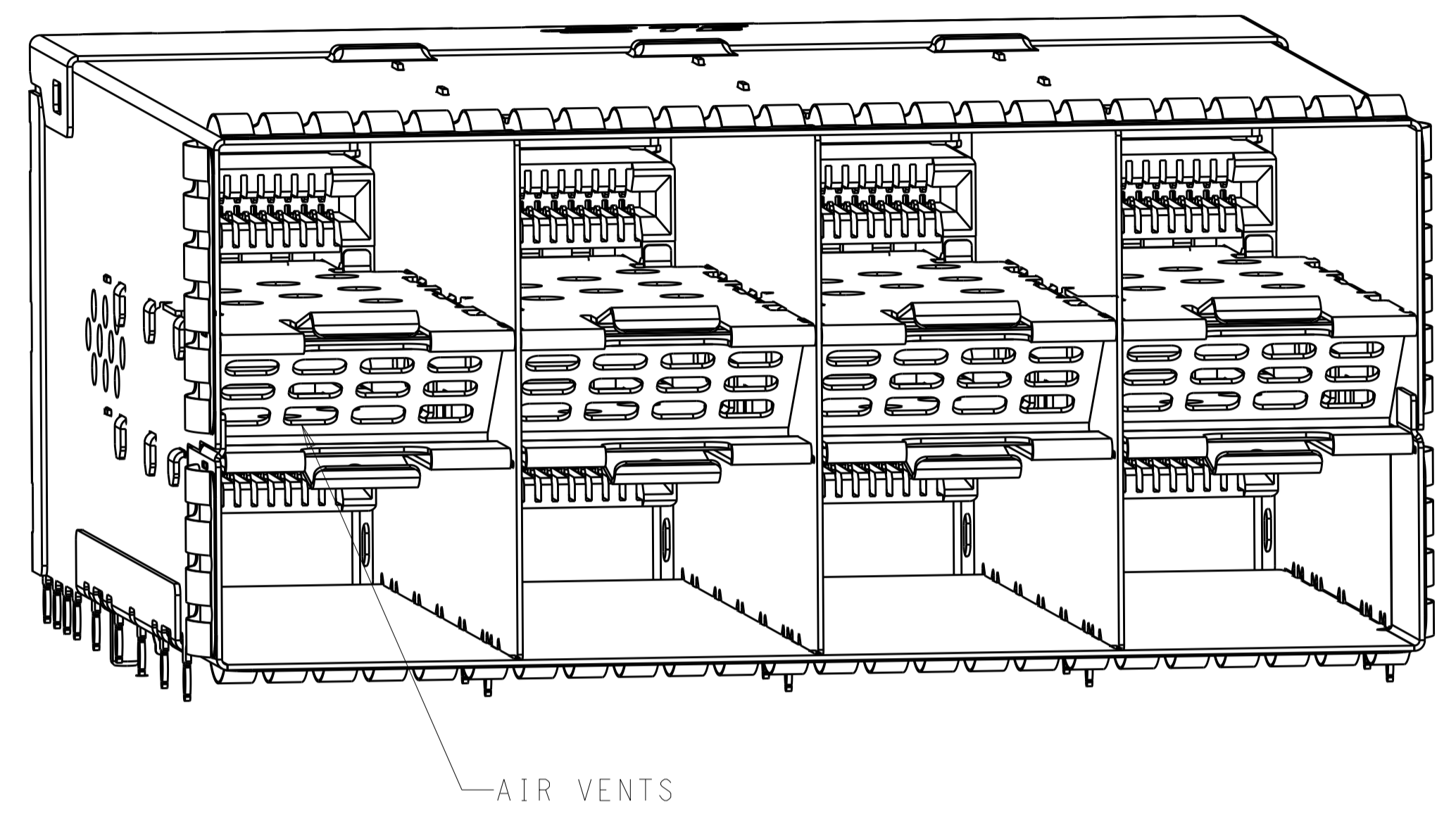
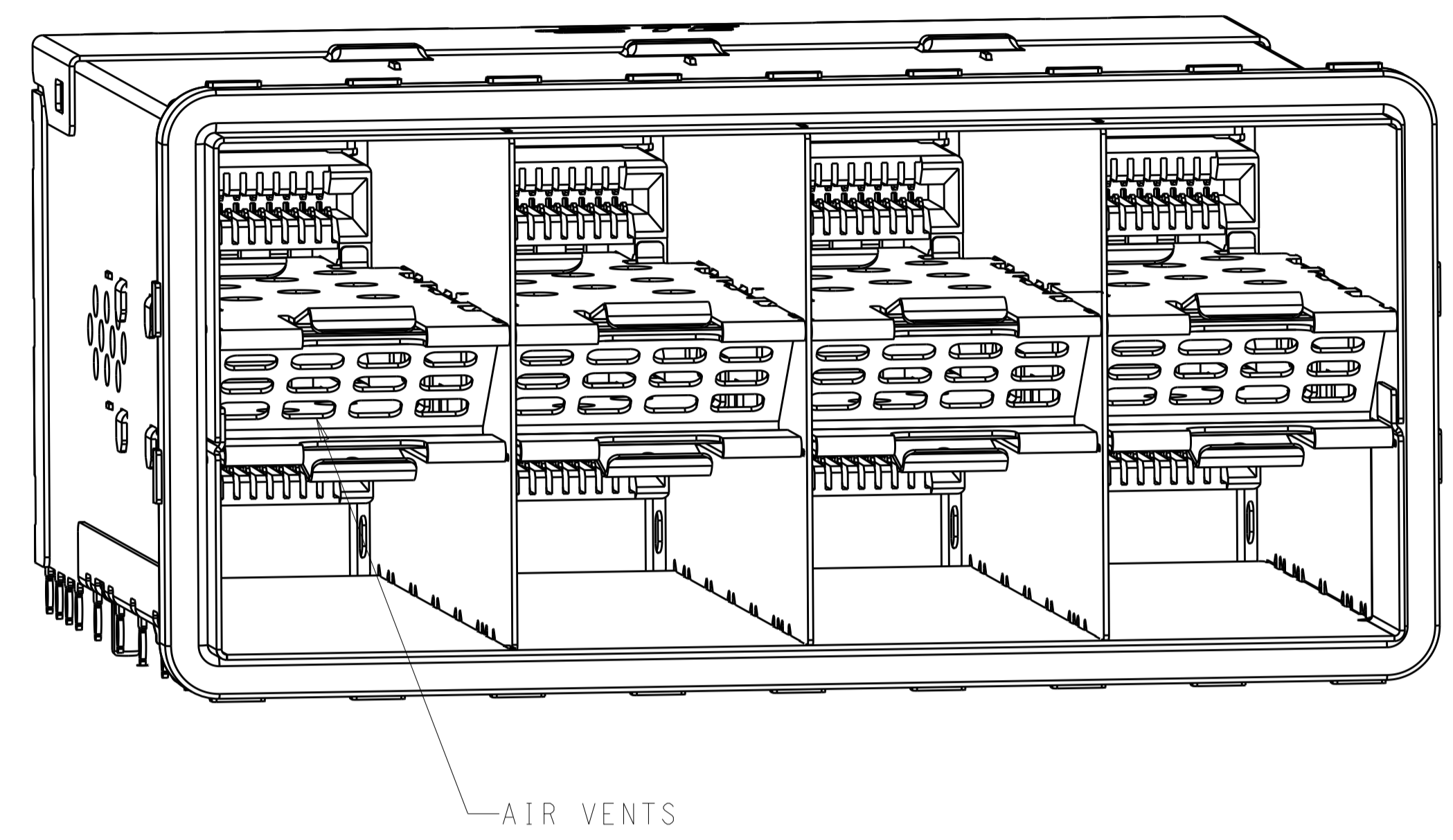
TE Connectivity

RECEPTACLE ASSEMBLY, 2X4,
STACKED, zSFP+

SIZE: CAGE CODE DRAWING NO: A100779C=2180324
SHEET 1 OF 7
SCALE: 2:1
REV: C1

LOC	DIST	REVISIONS			
P	LTN	DESCRIPTION	DATE	DWN	APVD
-	-	SEE SHEET 1	-	-	-

AIRFLOW ENHANCE W/O LP TYPE



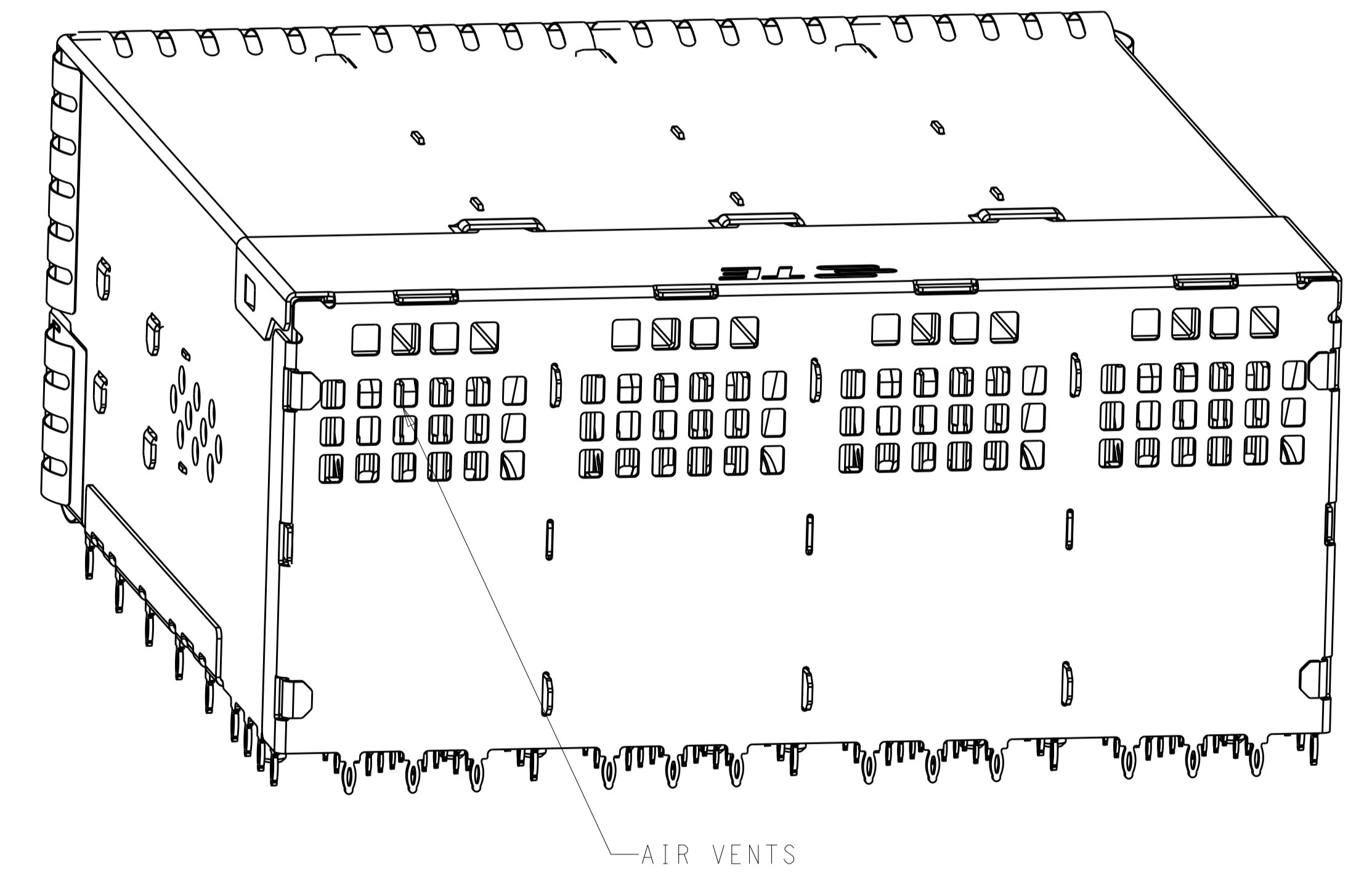
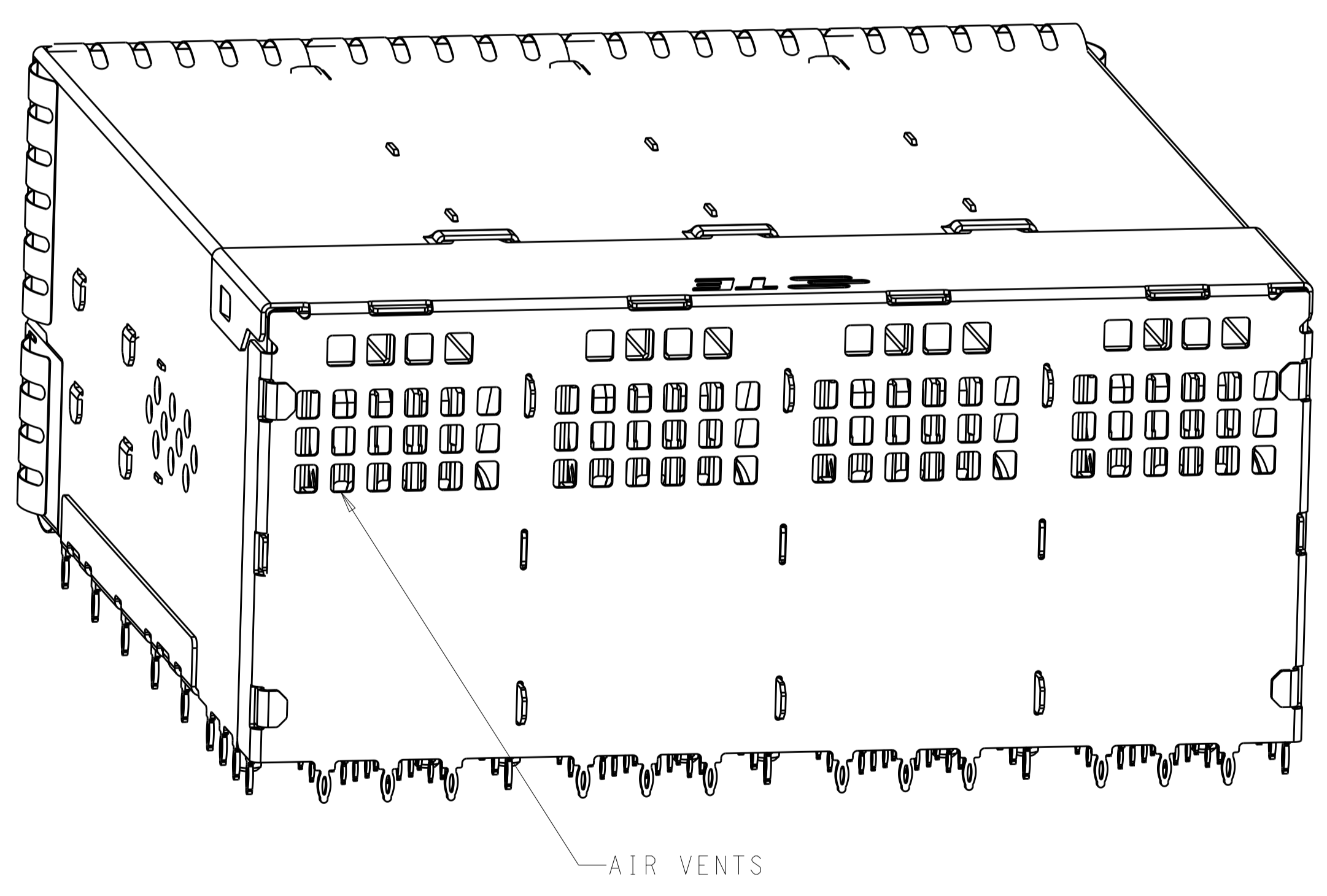
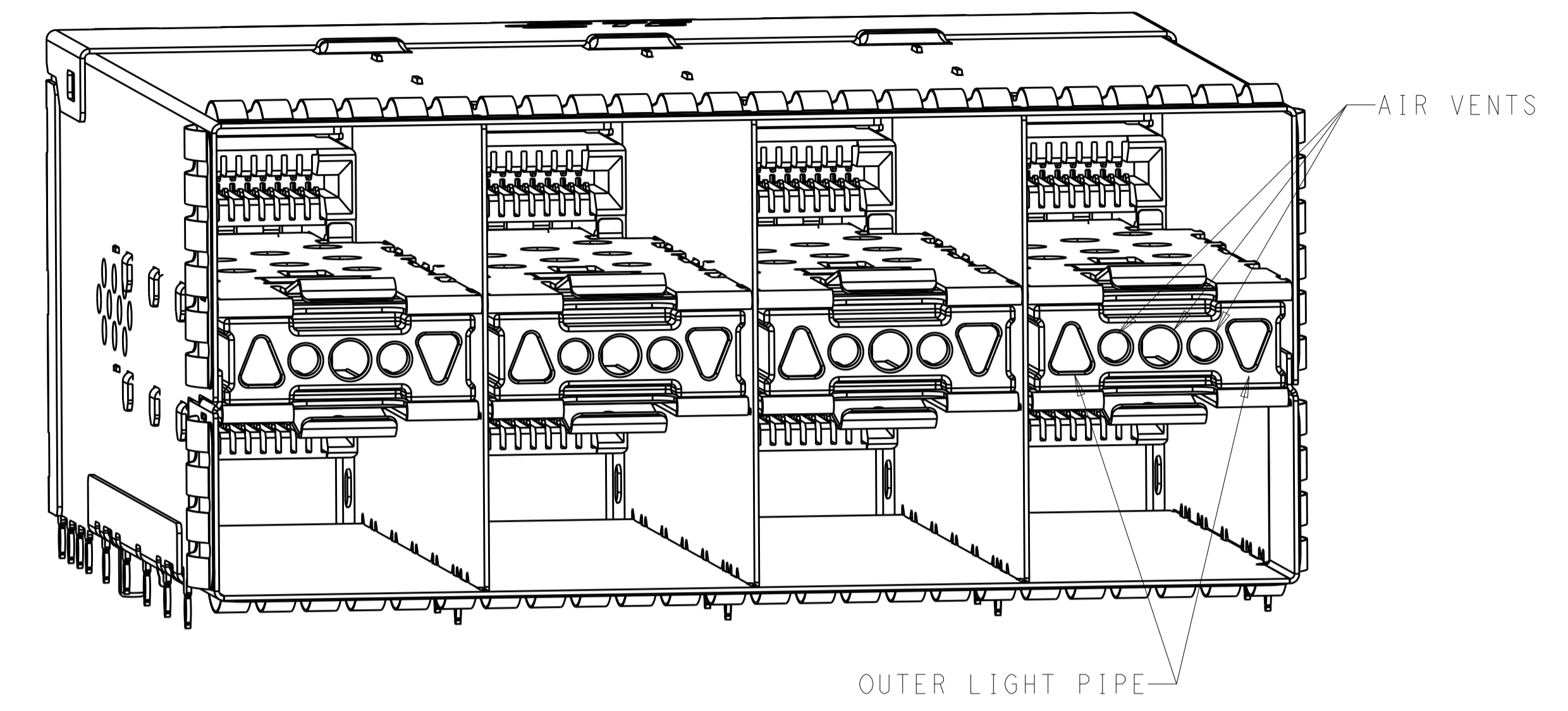
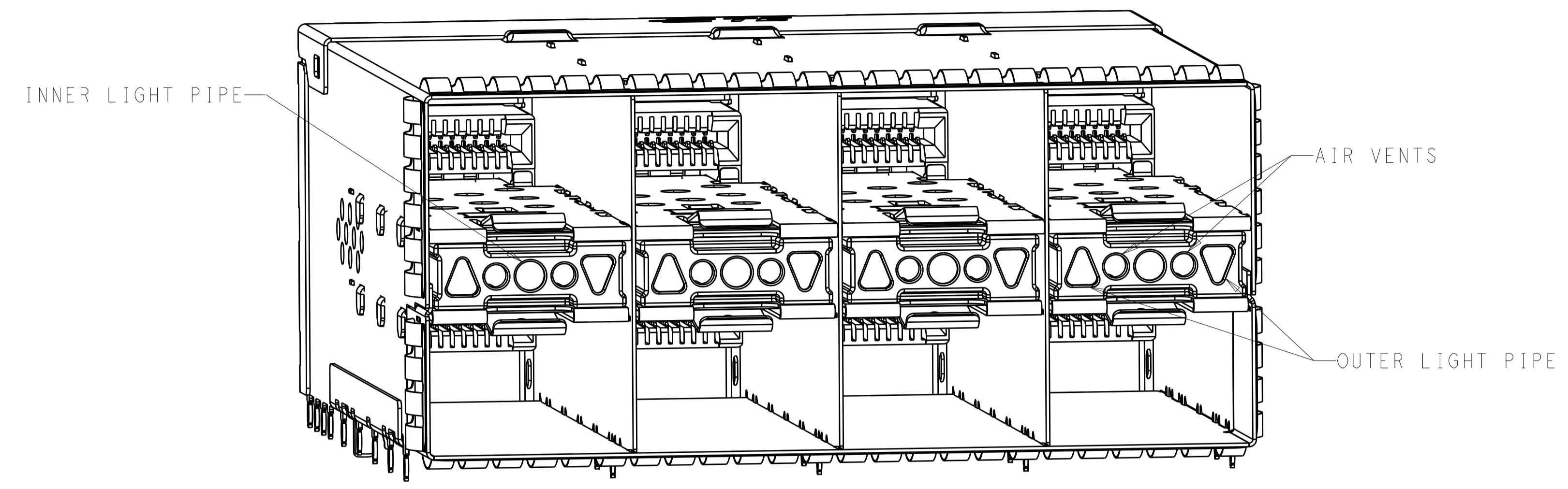
3-2180324-0
EMI GASKET TYPE

3-2180324-1
EMI SPRING TYPE

THIS DRAWING IS A CONTROLLED DOCUMENT.		DWN: M.E. CONNER 14SEP2011	TE Connectivity
DIMENSIONS: mm		CHK: M.D. MORRISON 16SEP2011	
TOLERANCES UNLESS OTHERWISE SPECIFIED: 0 PLC ±0.13 1 PLC ±0.13 2 PLC ±0.13 3 PLC ±0.13 4 PLC ±0.13 ANGLES ±0.13		APVD: M.D. MORRISON 25OCT2011	NAME: RECEPTACLE ASSEMBLY, 2X4, STACKED, zSFP+
MATERIAL: SEE NOTES		FINISH: SEE NOTES	SIZE: A1
		PRODUCT SPEC: 108-2481	CAGE CODE: 2180324
		APPLICATION SPEC: 114-13319	RESTRICTED TO: -
		WEIGHT: -	SCALE: 2:1
		CUSTOMER DRAWING	SHEET 2 OF 7
			REV: C1

LOC		DIST		REVISIONS			
GP	00	P	LYR	DESCRIPTION	DATE	OWN	APVD
-	-	-	-	SEE SHEET 1	-	-	-

AIRFLOW ENHANCE W/ LP TYPE

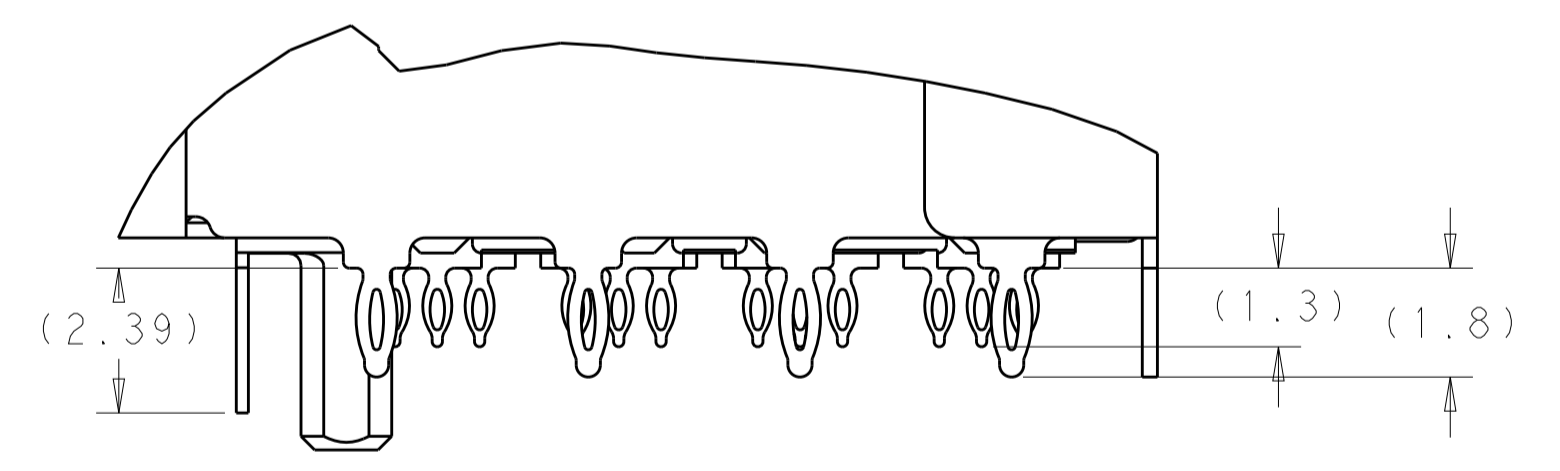
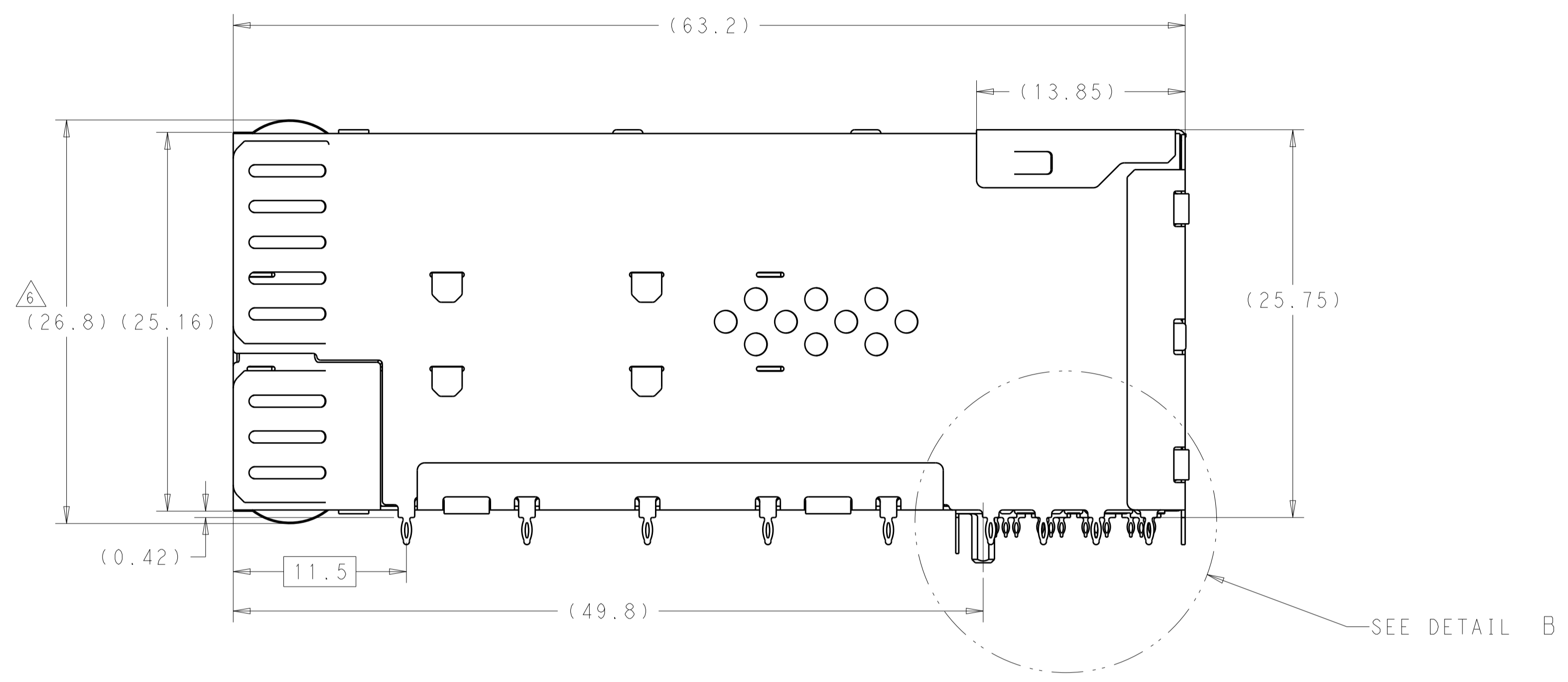
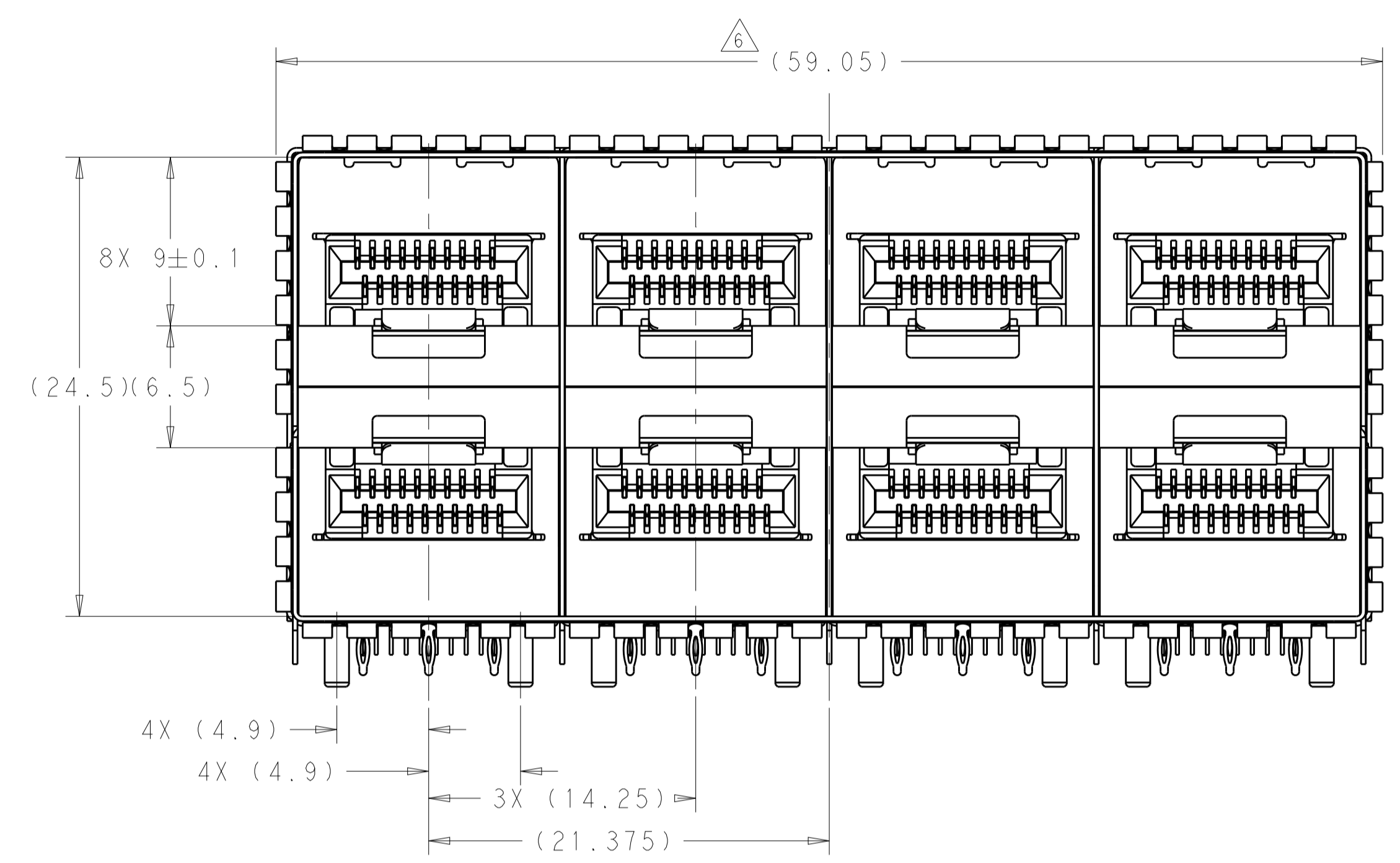


3-2180324-2
EMI SPRING W/ LP TYPE

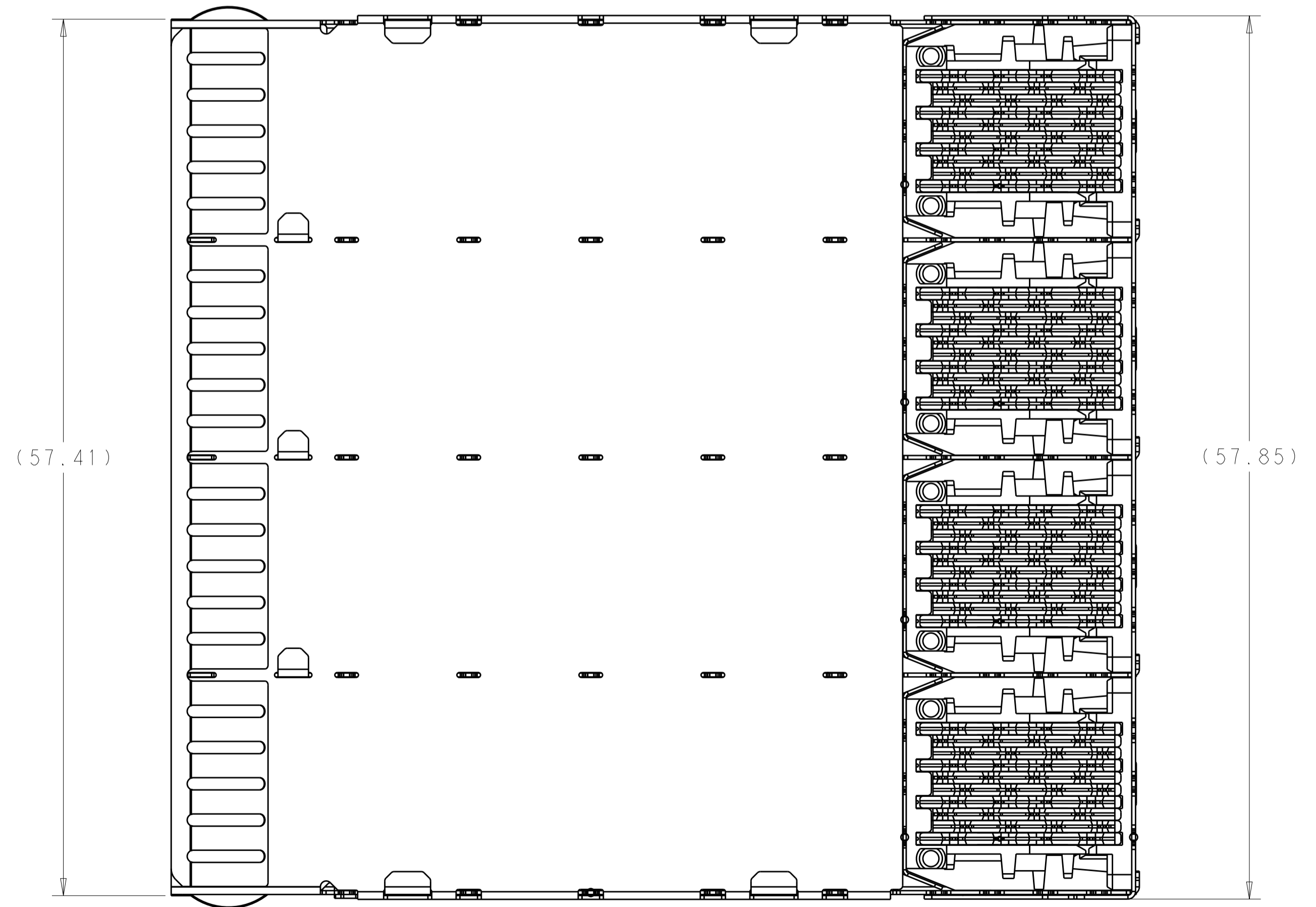
3-2180324-3
EMI SPRING W/ OUTER LP TYPE

THIS DRAWING IS A CONTROLLED DOCUMENT.		OWN: M.E. CONNER 14SEP2011	
DIMENSIONS: mm		CHK: M.D. MORRISON 16SEP2011	
TOLERANCES UNLESS OTHERWISE SPECIFIED:		APVD: M.D. MORRISON 25OCT2011	NAME: RECEPTACLE ASSEMBLY, 2X4, STACKED, zSFP+
0 PLC ±0.13 1 PLC ±0.13 2 PLC ±0.13 3 PLC ±0.13 4 PLC ±0.13 ANGLES ±0.13		PRODUCT SPEC: 108-2481	
MATERIAL: SEE NOTES		FINISH: SEE NOTES	RESTRICTED TO: -
CUSTOMER DRAWING		SCALE: 2:1	SHEET 3 OF 7

LOC	DIST	REVISIONS			
GP	00	REV	DATE	BY	APPV
-	-	SEE SHEET 1	-	-	-



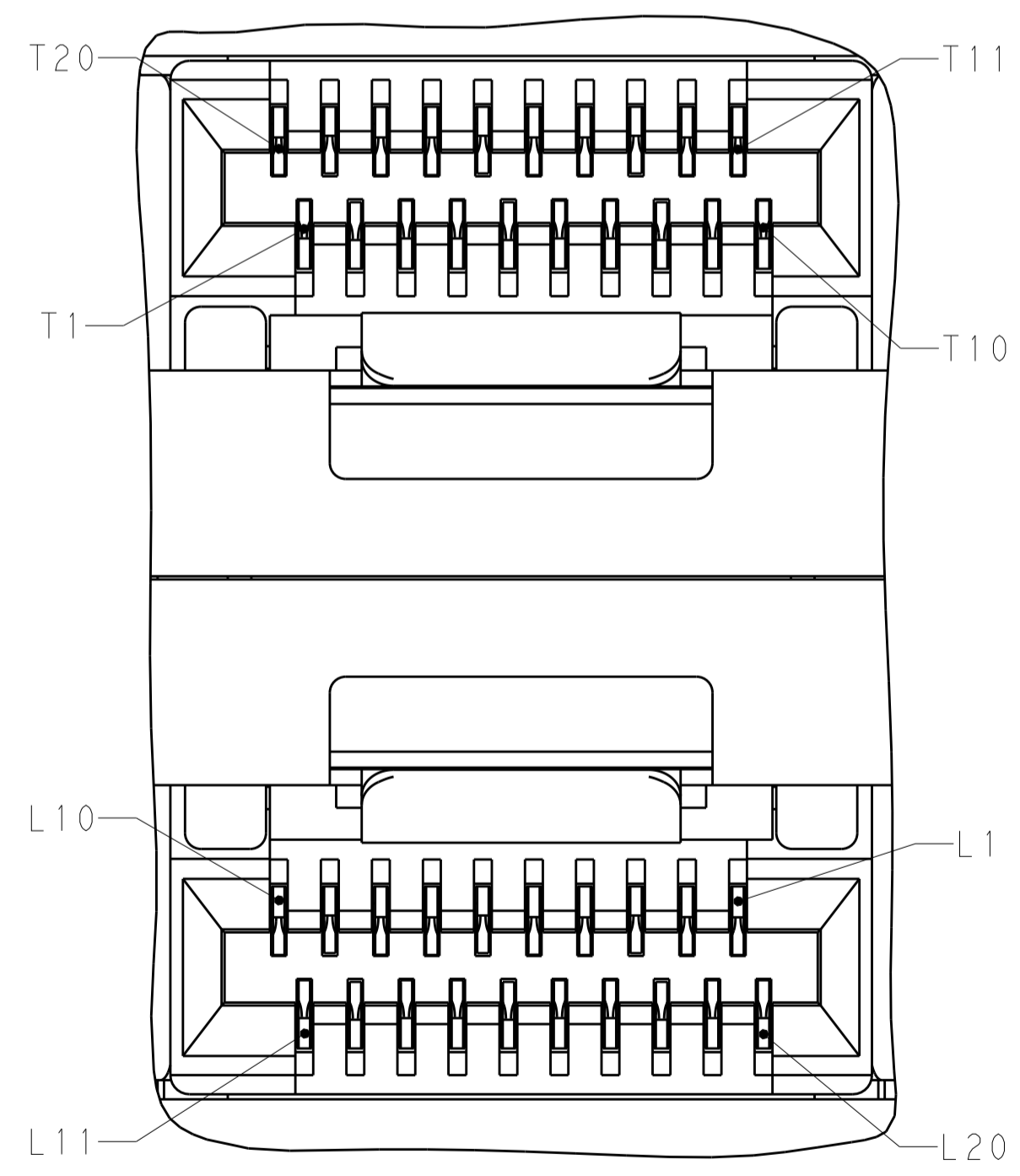
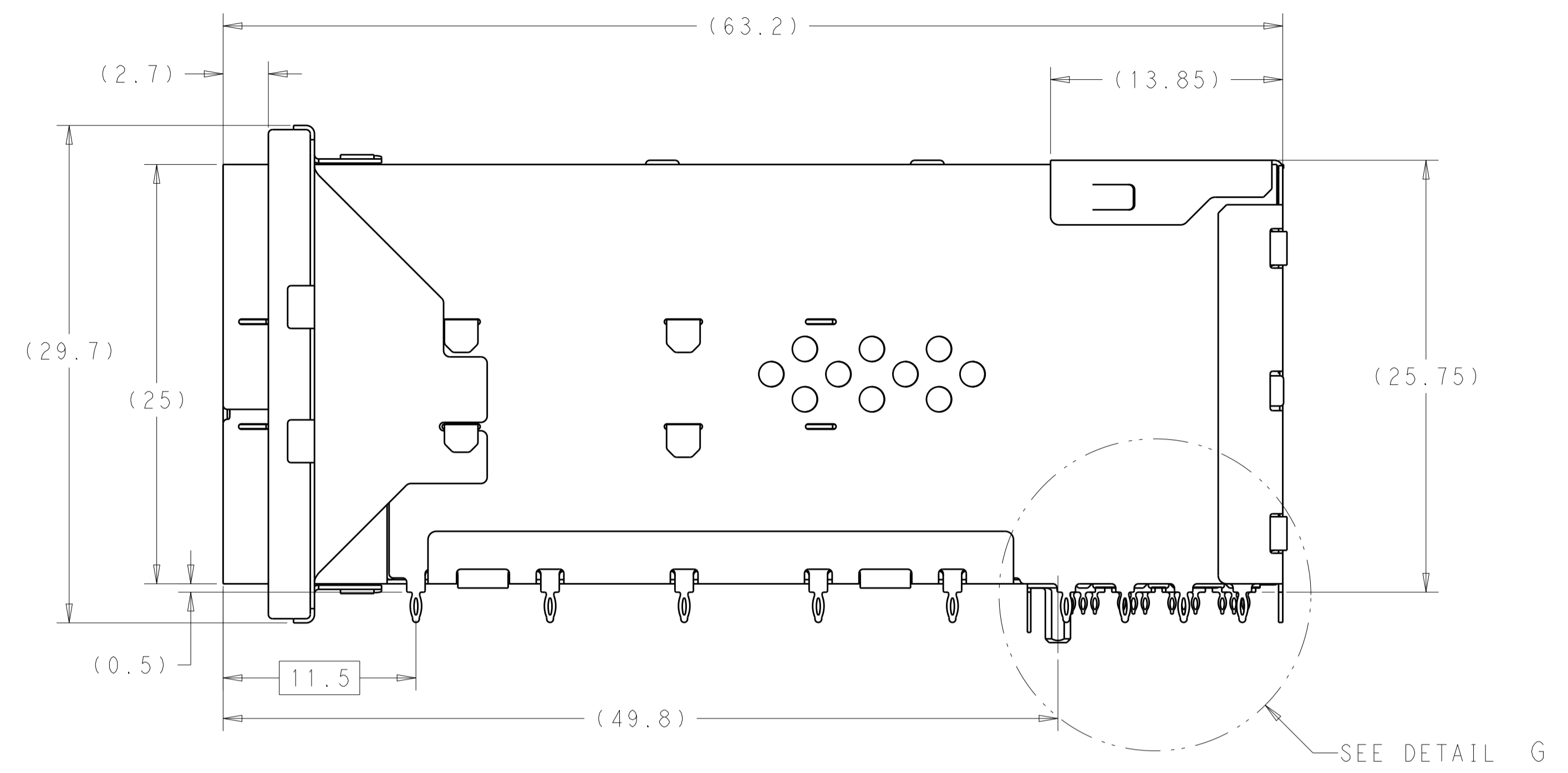
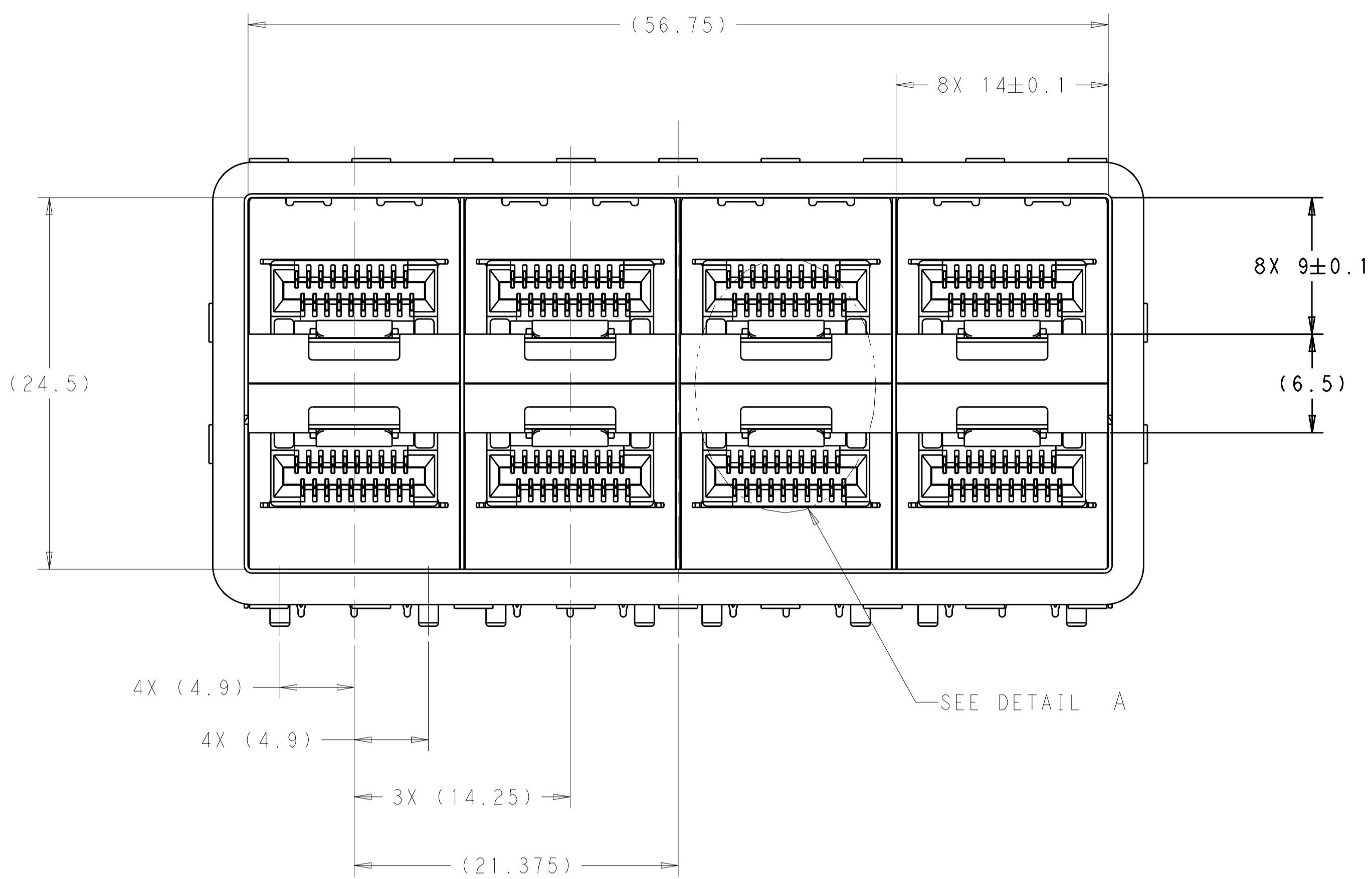
DETAIL B
SCALE 8:1



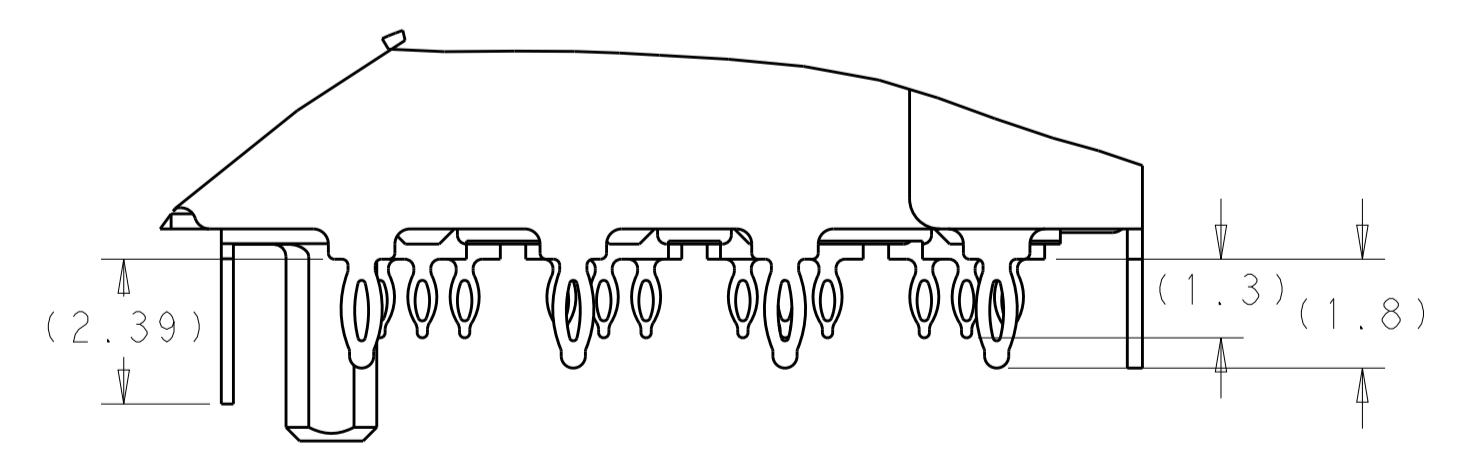
2180324-5 THRU 2180324-8, 1-2180324-9, 2-2180324-0, 3-2180324-1, 3-2180324-2, 3-2180324-3
 EMI SPRINGS ONLY
 SCALE 4:1

THIS DRAWING IS A CONTROLLED DOCUMENT.		OWN: M. E. CONNER 14SEP2011	TE Connectivity
DIMENSIONS: mm		CHK: M. D. MORRISON 16SEP2011	
TOLERANCES UNLESS OTHERWISE SPECIFIED:		APV: M. D. MORRISON 25OCT2011	NAME: RECEPTACLE ASSEMBLY, 2X4, STACKED, zSFP+
0 PLC ±0.13 1 PLC ±0.13 2 PLC ±0.13 3 PLC ±0.13 4 PLC ±0.13 ANGLES ±0.13		PRODUCT SPEC: 108-2481	SIZE: A100779
MATERIAL: SEE NOTES		APPLICATION SPEC: 114-13319	CAGE CODE: C=2180324
FINISH: SEE NOTES		WEIGHT: -	RESTRICTED TO: -
CUSTOMER DRAWING		SCALE: 2:1	SHEET 4 OF 7 REV: C1

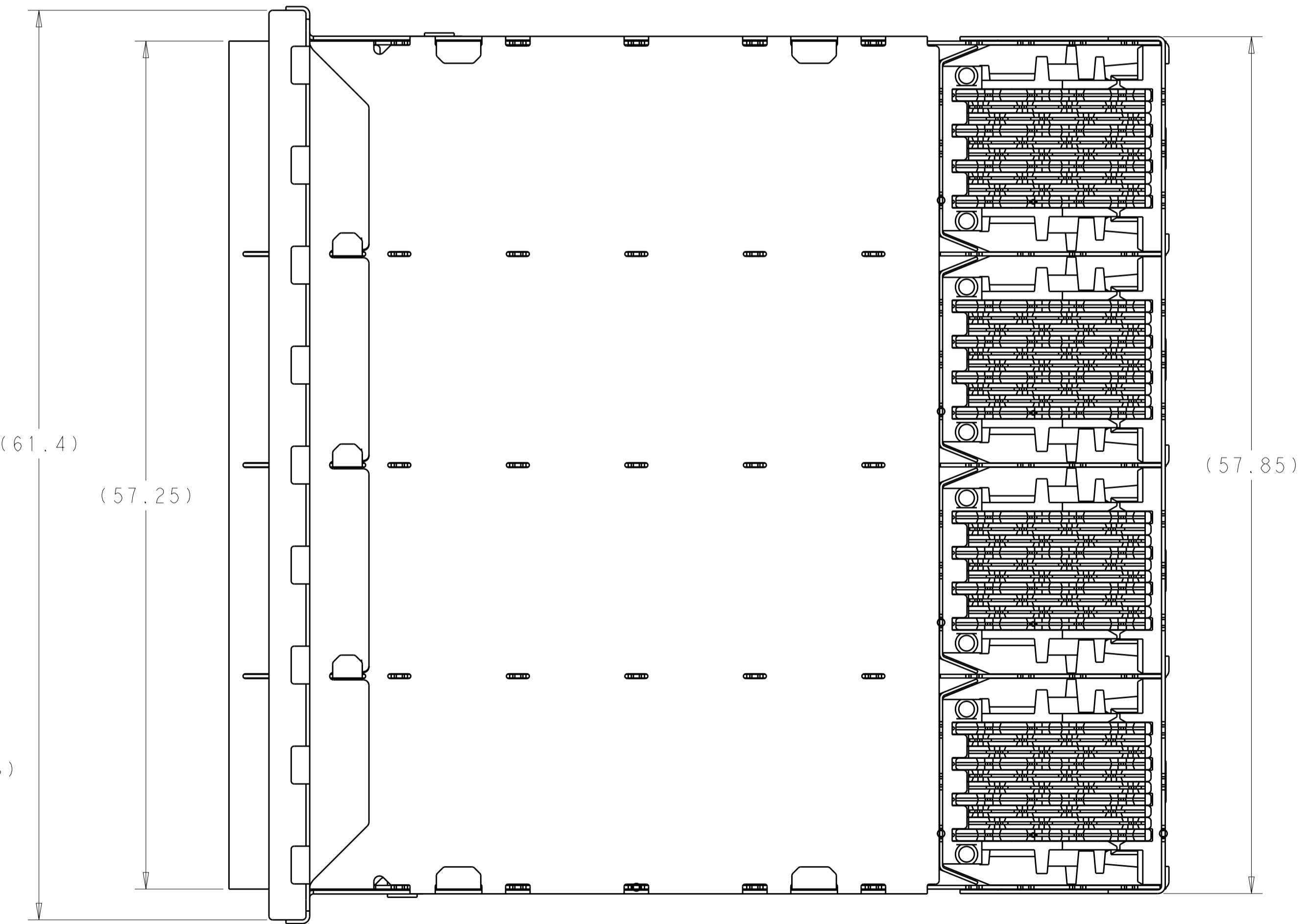
LOC		DIST		REVISIONS			
GP	00	P	LTH	DESCRIPTION	DATE	DNW	APVD
		-		SEE SHEET 1	-	-	-



DETAIL A
 4X INDIVIDUALLY
 SCALE 10:1



DETAIL G
 SCALE 8:1

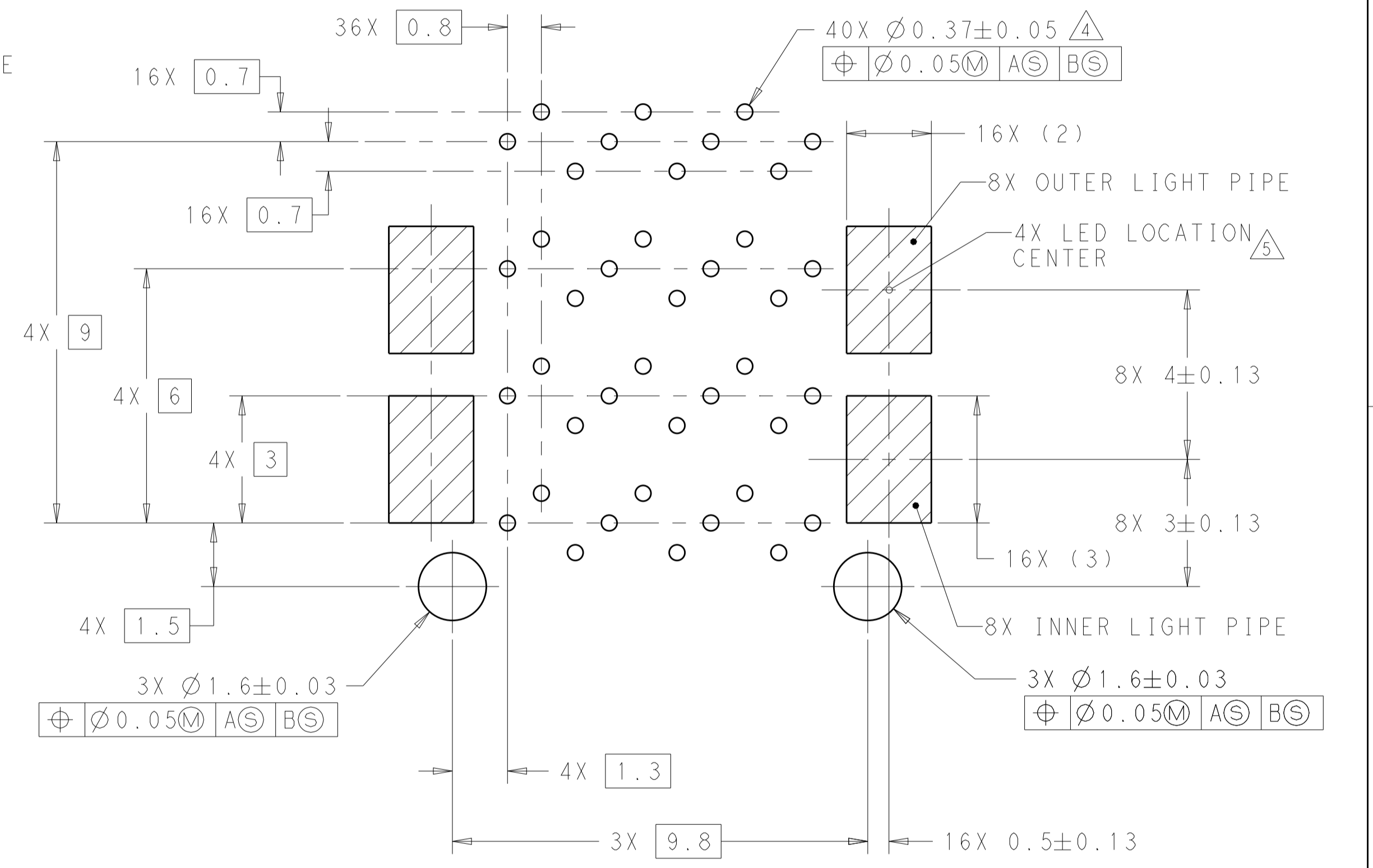
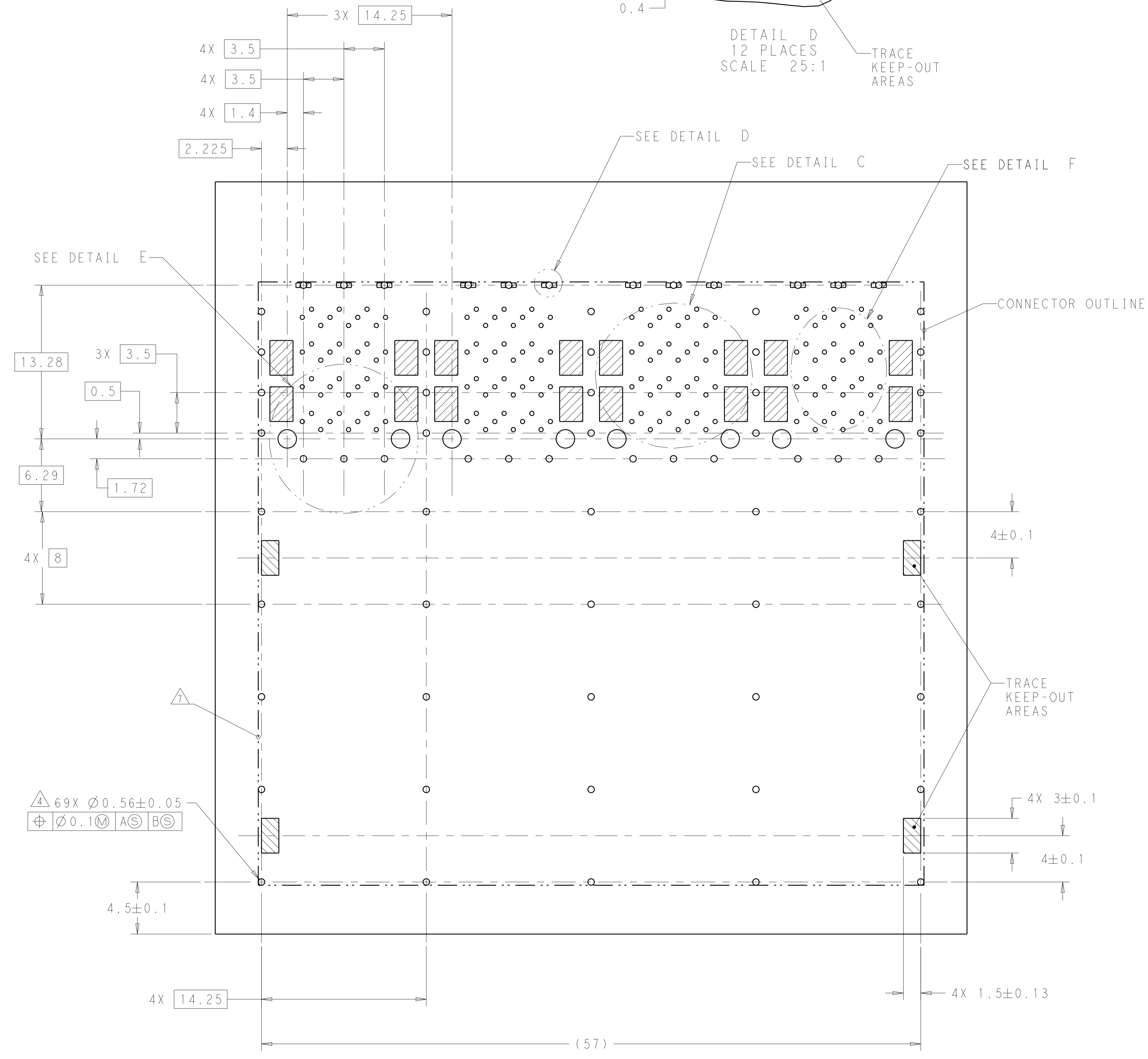
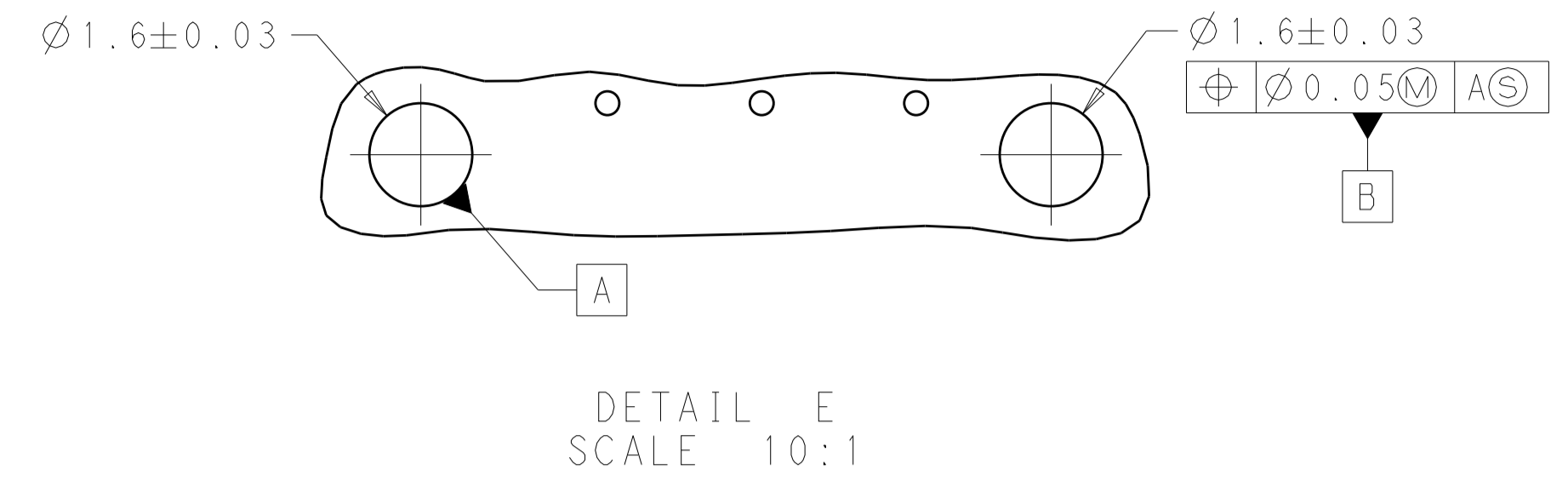
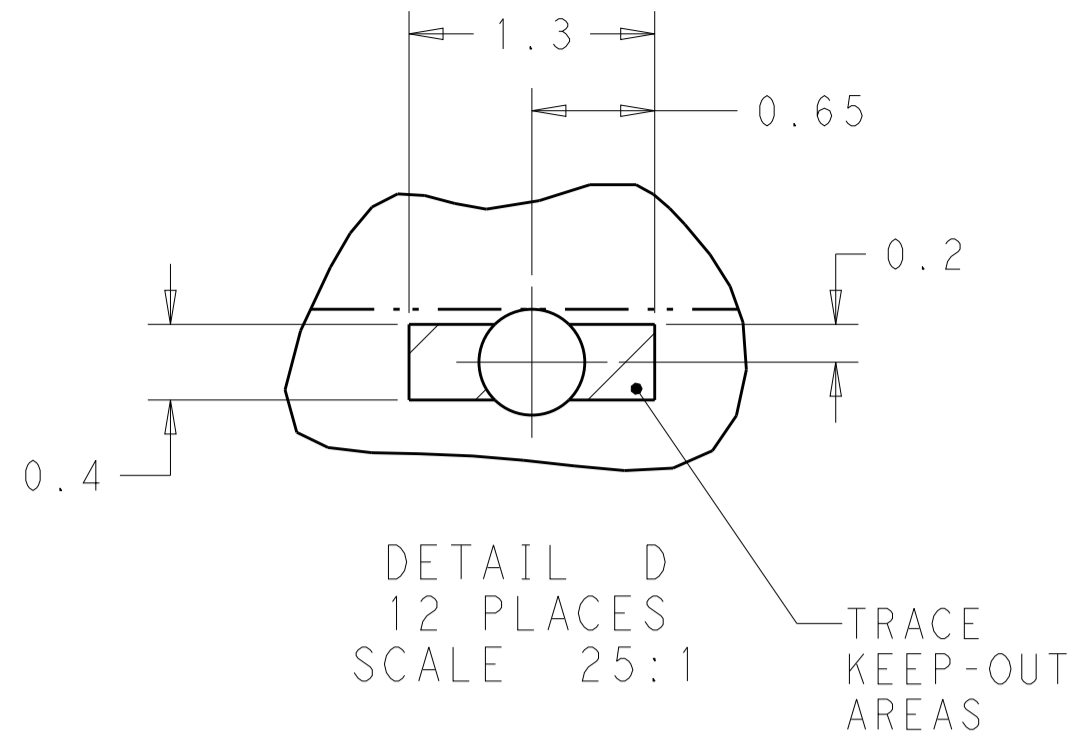


THIS DRAWING IS A CONTROLLED DOCUMENT.

DIMENSIONS:	TOLERANCES UNLESS OTHERWISE SPECIFIED:	OWN: M.E. CONNER 14SEP2011	CHK: M.D. MORRISON 16SEP2011	APVD: M.D. MORRISON 25OCT2011	NAME: RECEPTACLE ASSEMBLY, 2X4, STACKED, zSFP+
mm	0 PLC ±0.13 1 PLC ±0.13 2 PLC ±0.13 3 PLC ±0.13 4 PLC ±0.13	PRODUCT SPEC: 108-2481	APPLICATION SPEC: 114-13319	WEIGHT: -	SIZE: A1
MATERIAL: SEE NOTES	FINISH: SEE NOTES	CAGE CODE: 100779	DRAWING NO: 2180324	SCALE: 2:1	SHEET 5 OF 7

STE TE Connectivity

LOC	DIST	REV	DATE	BY	APPV
GP	00				
REVISIONS					
DESCRIPTION			DATE	BY	APPV
SEE SHEET 1					



THIS DRAWING IS A CONTROLLED DOCUMENT.		OWN: M. E. CONNER 14SEP2011	TE Connectivity
DIMENSIONS: mm		CHK: M. D. MORRISON 16SEP2011	
TOLERANCES UNLESS OTHERWISE SPECIFIED:		APV: M. D. MORRISON 25OCT2011	NAME: RECEPTACLE ASSEMBLY, 2X4, STACKED, zSFP+
0 PLC ±0.13		PRODUCT SPEC: 108-2481	
1 PLC ±0.13		APPLICATION SPEC: 114-13319	SIZE: A100779 C=2180324 SCALE: 2:1 SHEET 6 OF 7 REV C1
2 PLC ±0.13		WEIGHT: -	
3 PLC ±0.13		CUSTOMER DRAWING	
4 PLC ±0.13			
ANGLES ±0.13			
MATERIAL: SEE NOTES			
FINISH: SEE NOTES			

LOC	DIST	REV	DATE	BY	APPV
GP	00				

REVISIONS			
REV	DATE	BY	APPV
-	-	-	-
SEE SHEET 1			

T19 ○ T16 ○ T13 ○
 T20 ○ T17 ○ T14 ○ T11 ○
 T18 ○ T15 ○ T12 ○

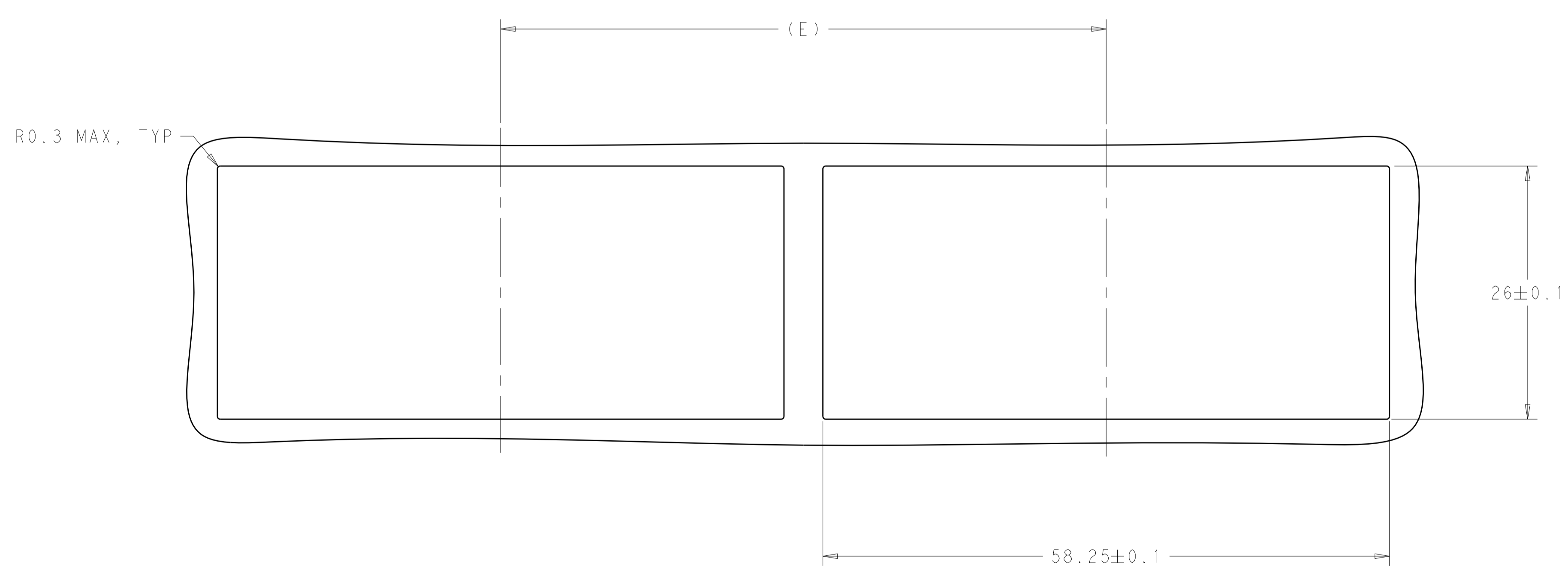
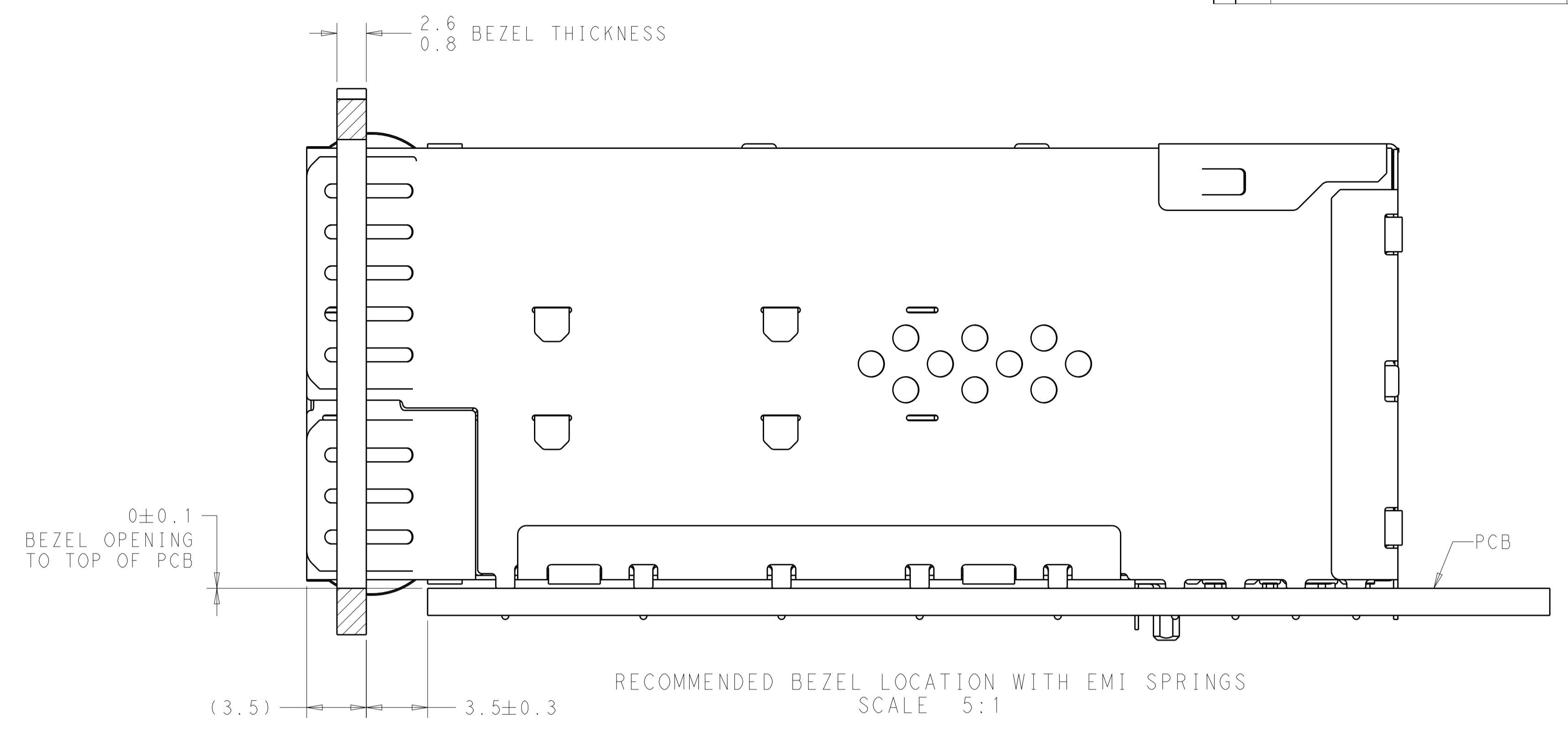
T2 ○ T5 ○ T8 ○
 T1 ○ T4 ○ T7 ○ T10 ○
 T3 ○ T6 ○ T9 ○

L9 ○ L6 ○ L3 ○
 L10 ○ L7 ○ L4 ○ L1 ○
 L8 ○ L5 ○ L2 ○

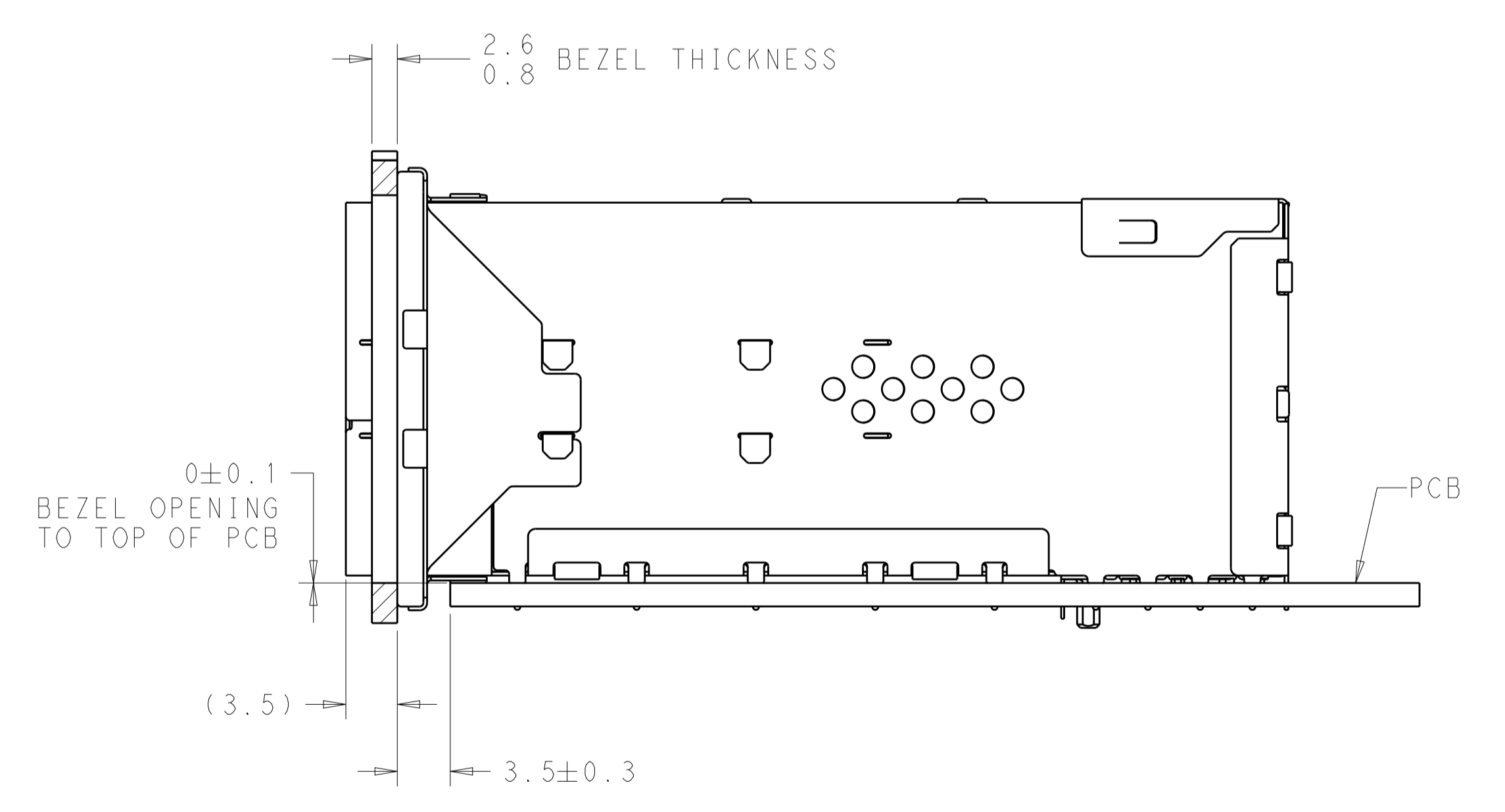
L12 ○ L15 ○ L18 ○
 L11 ○ L14 ○ L17 ○ L20 ○
 L13 ○ L16 ○ L19 ○

PIN MAP LEGEND	
PIN NUMBER	FUNCTION
L1/T1	VEET
L2/T2	TX-FAULT
L3/T3	TX-DISABLE
L4/T4	SDA
L5/T5	SCL
L6/T6	MOD_ABS
L7/T7	RS0
L8/T8	RX_LOS
L9/T9	RS1
L10/T10	VEER
L11/T11	VEER
L12/T12	RD-
L13/T13	RD+
L14/T14	VEER
L15/T15	VCCR
L16/T16	VCCT
L17/T17	VEET
L18/T18	TD+
L19/T19	TD-
L20/T20	VEET

DETAIL F
 PIN MAP
 4 PLACES
 SCALE 15:1



RECOMMENDED BEZEL CUT-OUT DETAIL
 SCALE 3:1



THIS DRAWING IS A CONTROLLED DOCUMENT.		OWN: M.E. CONNER 14SEP2011	TE Connectivity
DIMENSIONS: mm		CHK: M.D. MORRISON 16SEP2011	
TOLERANCES UNLESS OTHERWISE SPECIFIED:		APVD: M.D. MORRISON 25OCT2011	NAME: RECEPTACLE ASSEMBLY, 2X4, STACKED, zSFP+
0 PLC ±0.13		PRODUCT SPEC: 108-2481	SIZE: CAGE CODE DRAWING NO: A100779C=2180324
1 PLC ±0.13		APPLICATION SPEC: 114-13319	RESTRICTED TO: -
2 PLC ±0.13		WEIGHT: -	SCALE: 2:1 SHEET 7 OF 7 REV: C1
3 PLC ±0.13		CUSTOMER DRAWING	
4 PLC ±0.13			
ANGLES ±0.13			
FINISH: SEE NOTES			