



Chipsmall Limited consists of a professional team with an average of over 10 year of expertise in the distribution of electronic components. Based in Hongkong, we have already established firm and mutual-benefit business relationships with customers from,Europe,America and south Asia,supplying obsolete and hard-to-find components to meet their specific needs.

With the principle of "Quality Parts,Customers Priority,Honest Operation,and Considerate Service",our business mainly focus on the distribution of electronic components. Line cards we deal with include Microchip,ALPS,ROHM,Xilinx,Pulse,ON,Everlight and Freescale. Main products comprise IC,Modules,Potentiometer,IC Socket,Relay,Connector.Our parts cover such applications as commercial,industrial, and automotives areas.

We are looking forward to setting up business relationship with you and hope to provide you with the best service and solution. Let us make a better world for our industry!



Contact us

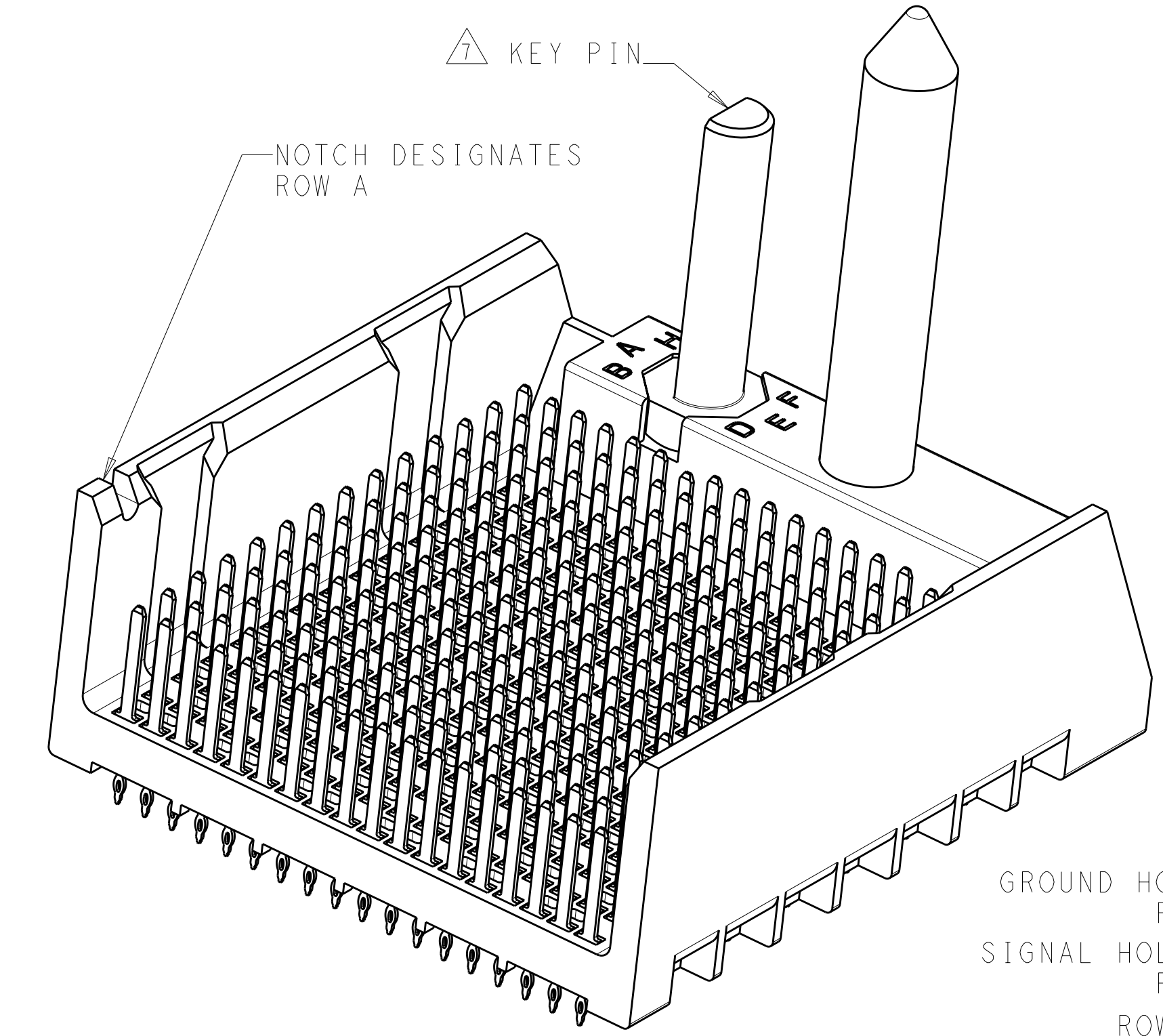
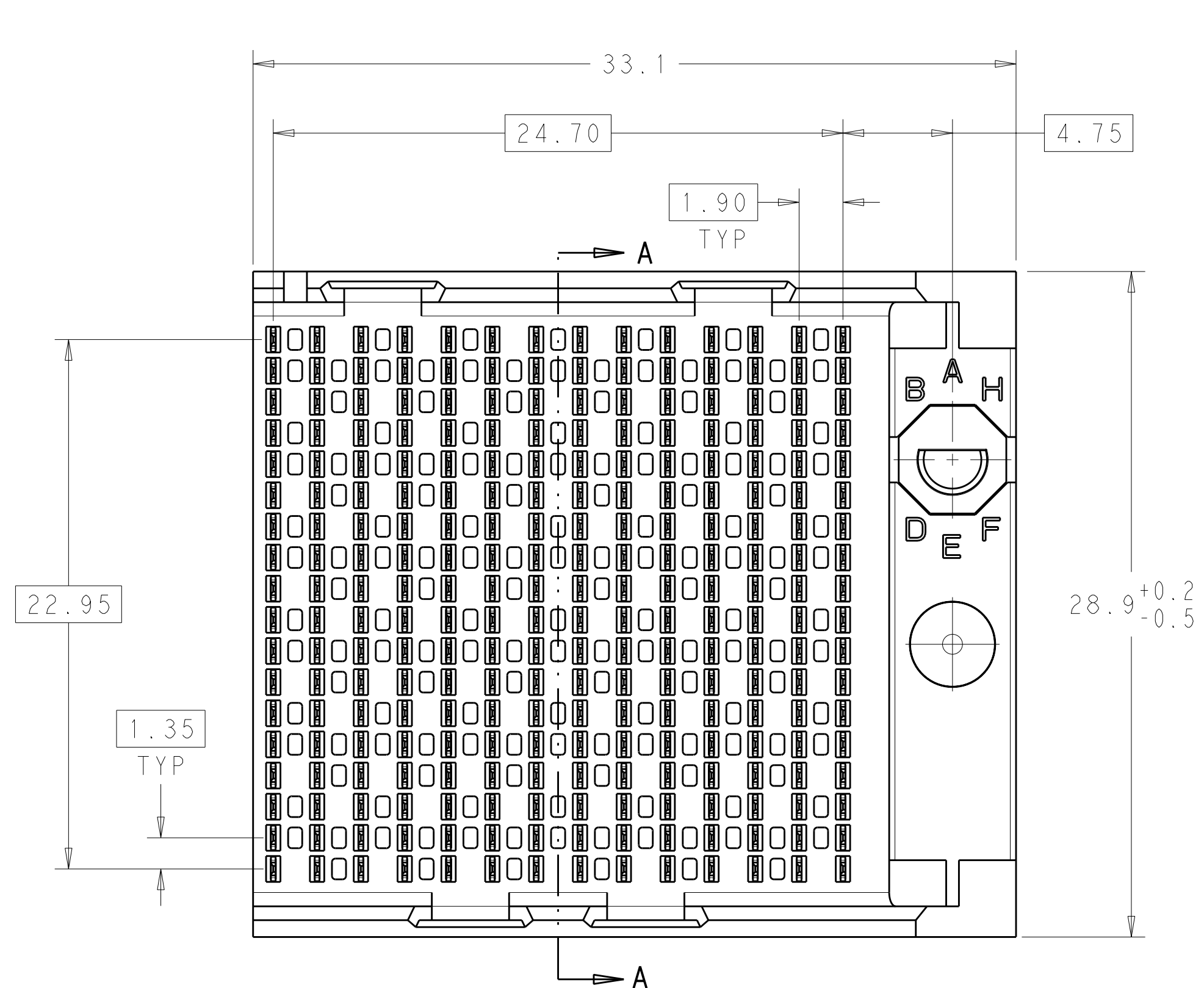
Tel: +86-755-8981 8866 Fax: +86-755-8427 6832

Email & Skype: info@chipsmall.com Web: www.chipsmall.com

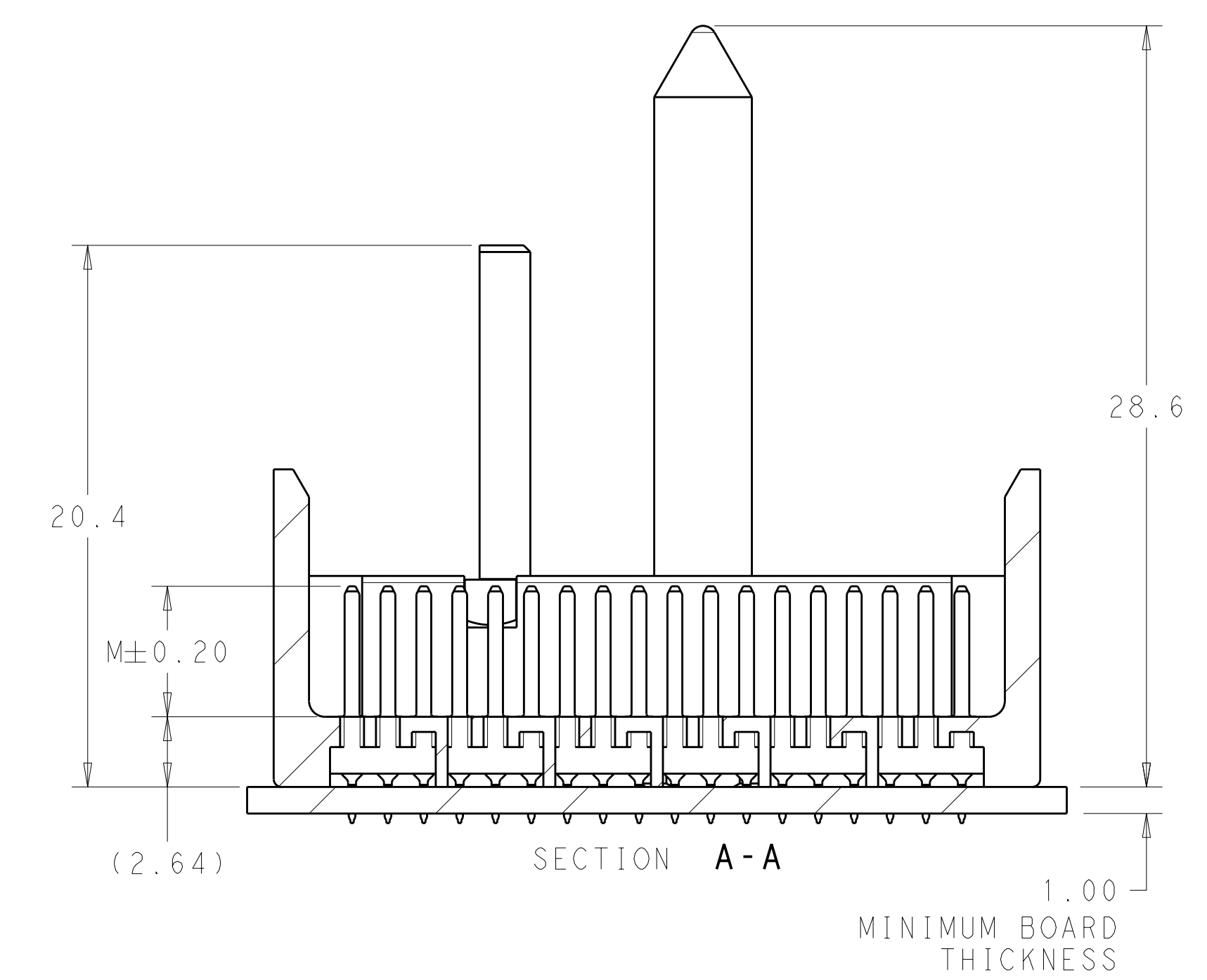
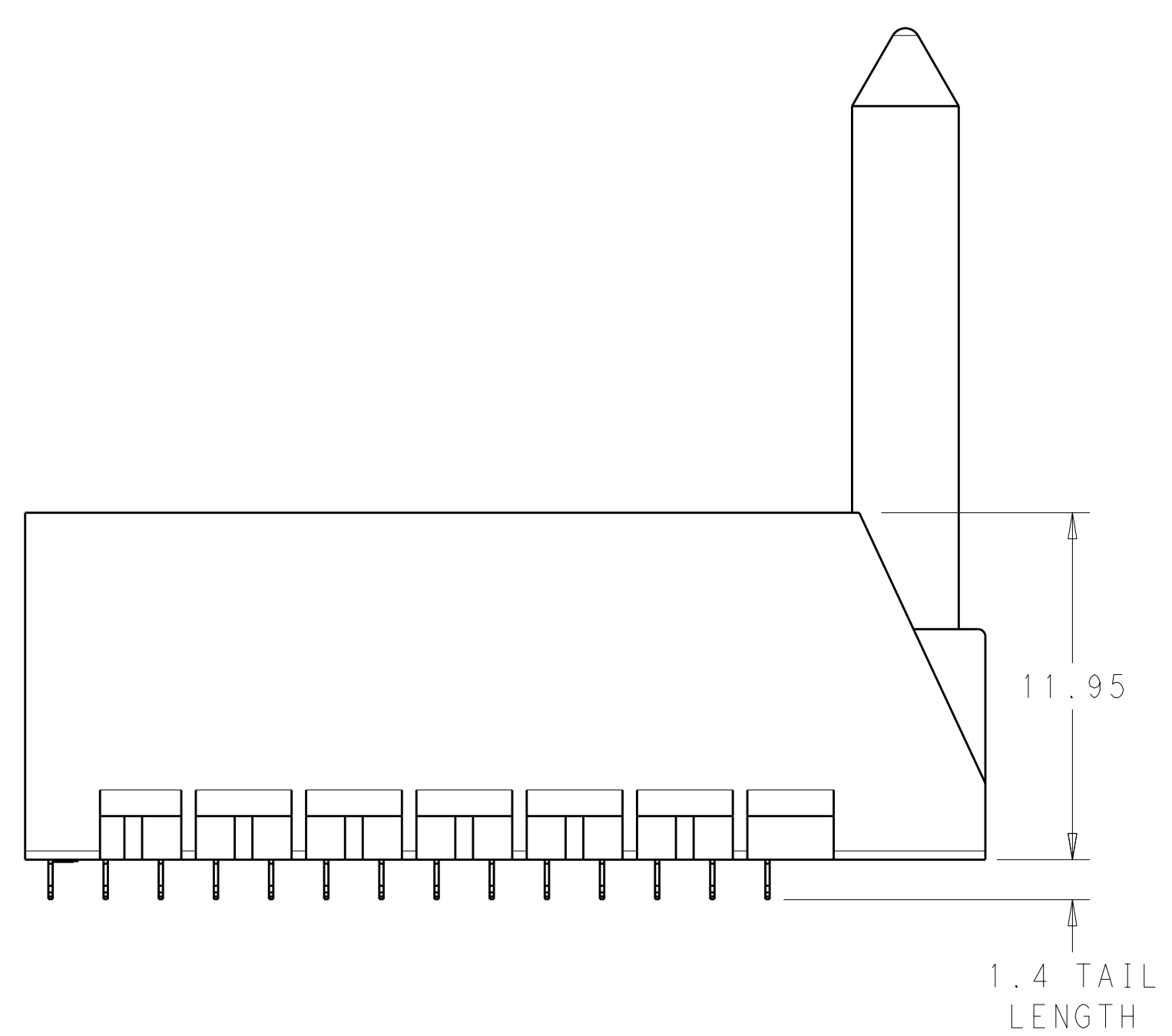
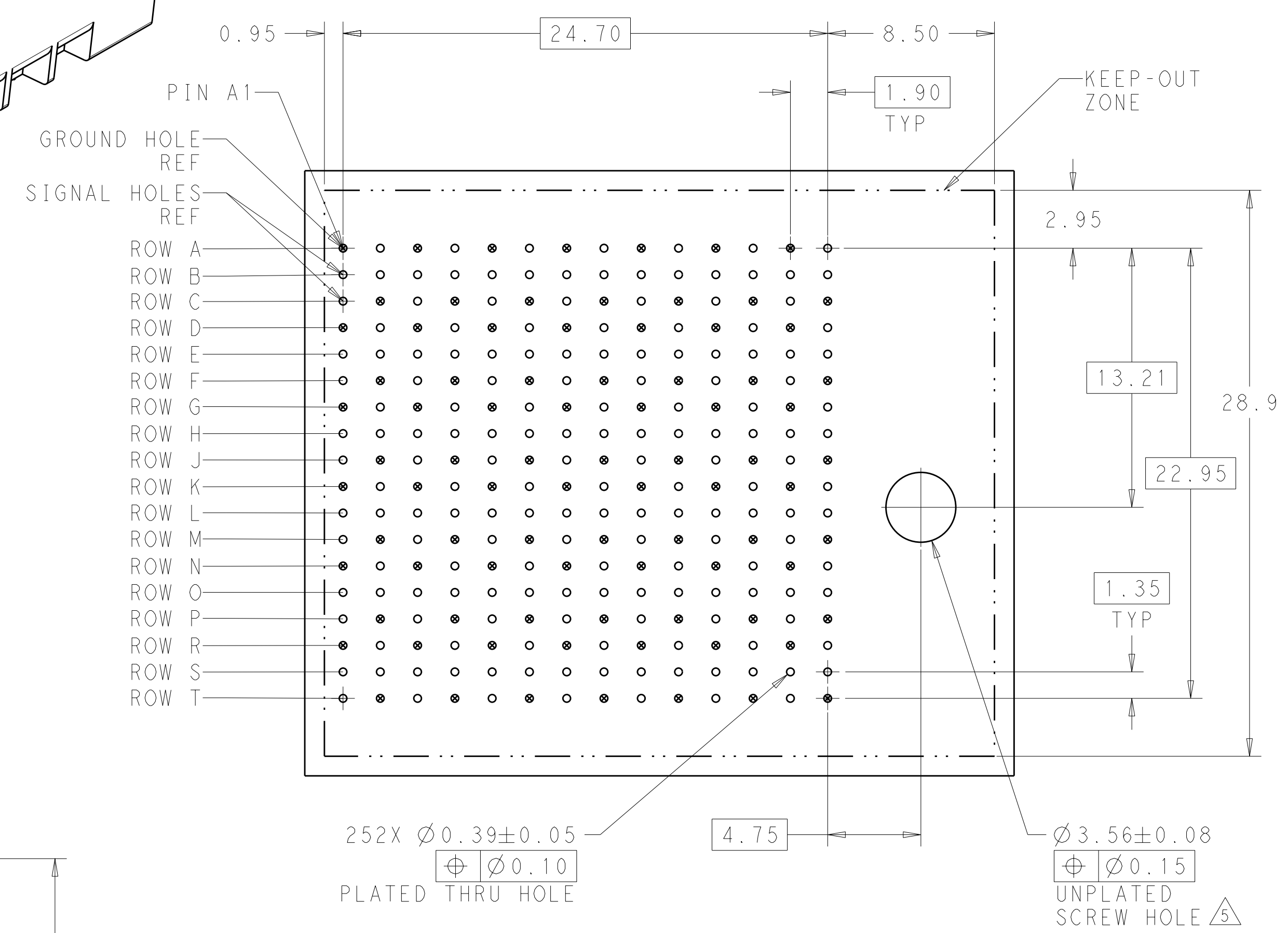
Address: A1208, Overseas Decoration Building, #122 Zhenhua RD., Futian, Shenzhen, China



LOC	DIST	REV	DATE	BY	CHK	APPD
AD	00	1	22MAR2011	JKS	JE	
		2	25MAR2011	JKS	JE	



- 1 MATERIAL: HOUSING: LCP, GLASS FILLED, UL94V-0. TERMINALS: HIGH PERFORMANCE COPPER ALLOY.
 - 2 FINISH: 30µ" MIN GOLD IN CONTACT AREA. SELECTIVE TIN ON PCB TAILS, NICKEL OVERALL.
 - 3 FINISH: 30µ" MIN GOLD IN CONTACT AREA. SELECTIVE TIN-LEAD ON PCB TAILS, NICKEL OVERALL.
 - 4. SCREWS PACKAGED IN END OF PACKAGING TUBE.
 - 5 FOR GROUNDED GUIDE PIN USE $\phi 3.56 \pm 0.08$ PTH, $\phi 3.66$ DRILL, AND $\phi 6.5$ PAD.
 - 6. KEYING PIN SHOWN IN POSITION A. SEE KEYING CHART ON SHEET 2 FOR OTHER POSITIONS.
- OPTIONAL DEPENDING ON PART NUMBER.

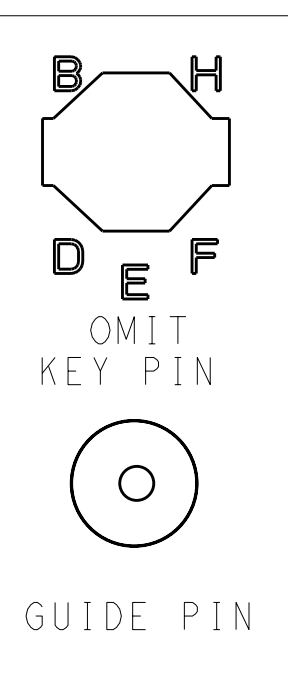


DESIGN APPROVED THIS PRINT IS
PRELIMINARY
 TO FIRST PIECE APPROVAL
 CONTACT PRODUCT ENGINEERING
 BEFORE USING THIS PRINT

THIS DRAWING IS A CONTROLLED DOCUMENT.		DWN J. K. SHOBER 22MAR2011	NAME	
DIMENSIONS: mm		CHK J. EBY 22MAR2011	IMPACT, 6 PAIR, 14 COLUMN, HEADER	
TOLERANCES UNLESS OTHERWISE SPECIFIED:		APVD J. EBY 22MAR2011	RT GUIDED, OPEN END WALL, SELECT LD	
9 PLC ±		PRODUCT SPEC	SIGNAL MODULE, 0.39 PTH	
1 PLC ±0.25		APPLICATION SPEC	SIZE CAGE CODE DRAWING NO RESTRICTED TO	
3 PLC ±0.13		WEIGHT	A100779C=2180382	
4 PLC ±		CUSTOMER DRAWING	SCALE 5:1 SHEET 1 OF 2 REV 2	
ANGLES ±				
FINISH SEE TABLE				

LOC	DIST	REV	DATE	BY	APPD
AD	00				

2180382-1														
PART NUMBER		FINISH												
CONTACT LAYOUT														
A = 4.5mm (DIM M)														
B = 4.9mm (DIM M)														
C = 5.5mm (DIM M)														
COLUMNS														
	1	2	3	4	5	6	7	8	9	10	11	12	13	14
A	B	B	B	B	B	B	B	B	B	B	B	B	B	B
B	B	B	B	B	B	B	B	B	B	B	B	B	B	B
C	B	B	B	B	B	B	B	B	B	B	B	B	B	B
D	B	B	B	B	B	B	B	B	B	B	B	B	B	B
E	B	B	B	B	B	B	B	B	B	B	B	B	B	B
F	B	B	B	B	B	B	B	B	B	B	B	B	B	B
G	B	B	B	B	B	B	B	B	B	B	B	B	B	A
H	B	B	B	B	B	B	B	B	B	B	B	B	B	B
J	B	B	B	B	B	B	B	B	B	B	B	B	B	B
K	B	B	B	B	B	B	B	B	B	B	B	B	B	B
L	B	B	B	B	B	B	B	B	B	B	B	B	B	B
M	B	B	B	B	B	B	B	B	B	B	B	B	B	B
N	B	B	B	B	B	B	B	B	B	B	B	B	B	B
O	B	B	B	B	B	B	B	B	B	B	B	B	B	B
P	B	B	B	B	B	B	B	B	B	B	B	B	B	B
Q	B	B	B	B	B	B	B	B	B	B	B	B	B	B
R	B	B	B	B	B	B	B	B	B	B	B	B	B	A
S	B	B	B	B	B	B	B	B	B	B	B	B	B	B
T	B	B	B	B	B	B	B	B	B	B	B	B	B	B



KEY POSITION CHART	
NONE	
A	E
B	F
C	G
D	H

REFER TO WWW.TE.COM FOR PRODUCT AVAILABILITY

DESIGN APPROVED THIS PRINT IS
PRELIMINARY
 TO FIRST PIECE APPROVAL
 CONTACT PRODUCT ENGINEERING
 BEFORE USING THIS PRINT

THIS DRAWING IS A CONTROLLED DOCUMENT.		DWN J. K. SHOBER 22MAR2011	TE Connectivity												
DIMENSIONS: mm		CHK J. EARY 22MAR2011													
TOLERANCES UNLESS OTHERWISE SPECIFIED:		APVD J. EARY 22MAR2011	NAME IMPACT, 6 PAIR, 14 COLUMN, HEADER RT GUIDED, OPEN END WALL, SELECT LD SIGNAL MODULE, 0.39 PTH												
<table border="1"> <tr><td>9 PLC</td><td>±</td></tr> <tr><td>7 PLC</td><td>±0.25</td></tr> <tr><td>5 PLC</td><td>±0.13</td></tr> <tr><td>4 PLC</td><td>±</td></tr> <tr><td>ANGLES</td><td>±</td></tr> <tr><td>FINISH</td><td>±</td></tr> </table>		9 PLC	±	7 PLC	±0.25	5 PLC	±0.13	4 PLC	±	ANGLES	±	FINISH	±	PRODUCT SPEC	SIZE CAGE CODE DRAWING NO
9 PLC	±														
7 PLC	±0.25														
5 PLC	±0.13														
4 PLC	±														
ANGLES	±														
FINISH	±														
MATERIAL		APPLICATION SPEC	RESTRICTED TO												
SEE TABLE		WEIGHT	A100779C=2180382												
CUSTOMER DRAWING		SCALE 5:1	SHEET 2 OF 2 REV 2												