



Chipsmall Limited consists of a professional team with an average of over 10 year of expertise in the distribution of electronic components. Based in Hongkong, we have already established firm and mutual-benefit business relationships with customers from,Europe,America and south Asia,supplying obsolete and hard-to-find components to meet their specific needs.

With the principle of “Quality Parts,Customers Priority,Honest Operation,and Considerate Service”,our business mainly focus on the distribution of electronic components. Line cards we deal with include Microchip,ALPS,ROHM,Xilinx,Pulse,ON,Everlight and Freescale. Main products comprise IC,Modules,Potentiometer,IC Socket,Relay,Connector.Our parts cover such applications as commercial,industrial, and automotives areas.

We are looking forward to setting up business relationship with you and hope to provide you with the best service and solution. Let us make a better world for our industry!



Contact us

Tel: +86-755-8981 8866 Fax: +86-755-8427 6832

Email & Skype: info@chipsmall.com Web: www.chipsmall.com

Address: A1208, Overseas Decoration Building, #122 Zhenhua RD., Futian, Shenzhen, China



THIS DRAWING IS UNPUBLISHED.

RELEASED FOR PUBLICATION

20

© COPYRIGHT 20

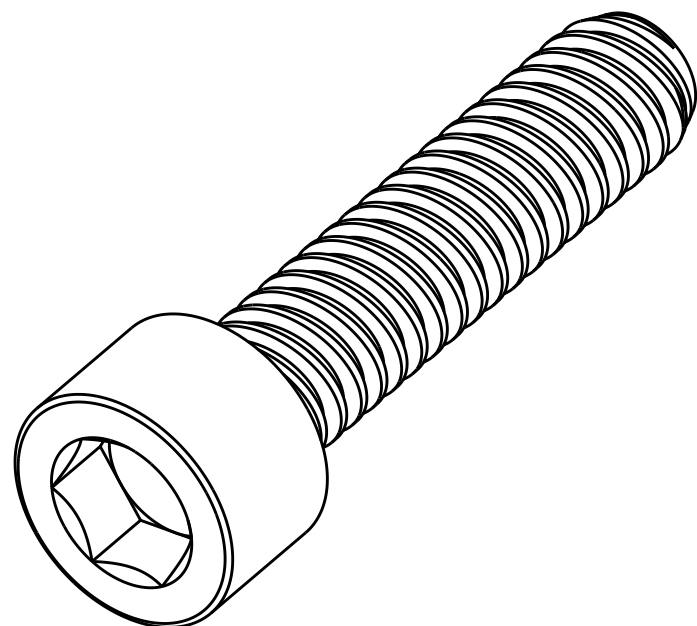
BY -

ALL RIGHTS RESERVED.

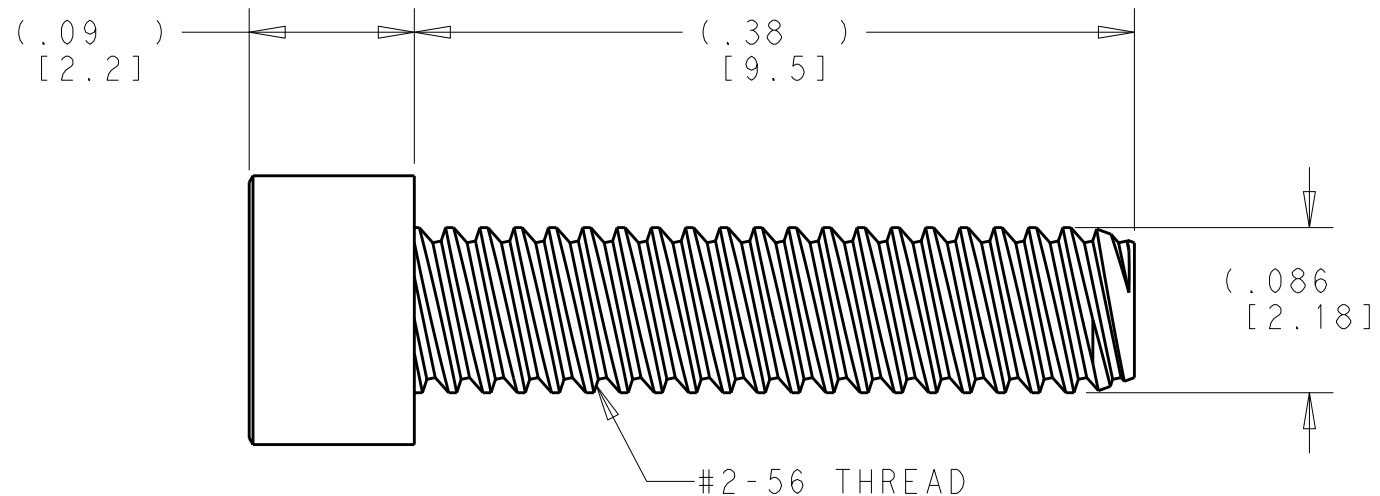
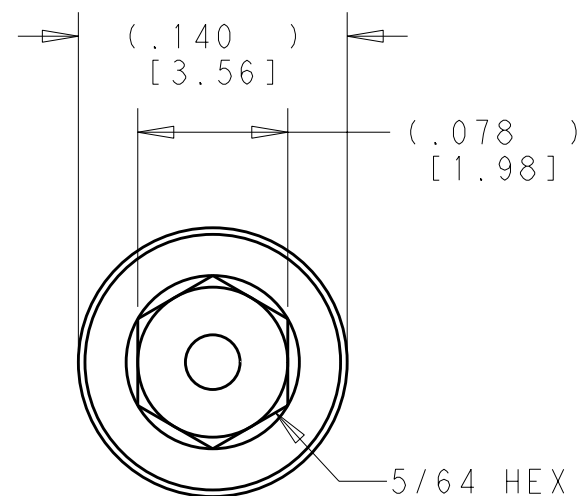
LOC GP DIST 00

REVISIONS

P	LTR	DESCRIPTION	DATE	DWN	APVD
	A	RELEASED PER ECO-12-006362	15MAY2012	CJV	MRS



1 MATERIAL:
 SOCKET HEAD CAP SCREW: 300 SERIES STAINLESS STEEL



2180467-1

PART NUMBER

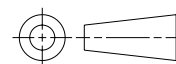
THIS DRAWING IS A CONTROLLED DOCUMENT.

DWN B. MATTHEWS 22MAR2011
 CHK M. SCHMITT 22MAR2011
 APVD M. SCHMITT 22MAR2011

STE TE Connectivity

DIMENSIONS:
INCHES [mm]

TOLERANCES UNLESS OTHERWISE SPECIFIED:



0 PLC ±-
 1 PLC ±.1
 2 PLC ±.01
 3 PLC ±.001
 4 PLC ±.0001
 ANGLES ±-

PRODUCT SPEC 108-2399
 APPLICATION SPEC 114-13263
 WEIGHT -

NAME 2-56 UNC x .375 LONG SOCKET HEAD CAP SCREW, STAINLESS STEEL CFP EXTERNAL BRACKET

SIZE A3 CAGE CODE 00779 DRAWING NO C-2180467 RESTRICTED TO -

MATERIAL

FINISH -



CUSTOMER DRAWING

SCALE 10:1 SHEET 1 OF 1 REV A