



Chipsmall Limited consists of a professional team with an average of over 10 year of expertise in the distribution of electronic components. Based in Hongkong, we have already established firm and mutual-benefit business relationships with customers from,Europe,America and south Asia,supplying obsolete and hard-to-find components to meet their specific needs.

With the principle of “Quality Parts,Customers Priority,Honest Operation,and Considerate Service”,our business mainly focus on the distribution of electronic components. Line cards we deal with include Microchip,ALPS,ROHM,Xilinx,Pulse,ON,Everlight and Freescale. Main products comprise IC,Modules,Potentiometer,IC Socket,Relay,Connector.Our parts cover such applications as commercial,industrial, and automotives areas.

We are looking forward to setting up business relationship with you and hope to provide you with the best service and solution. Let us make a better world for our industry!



Contact us

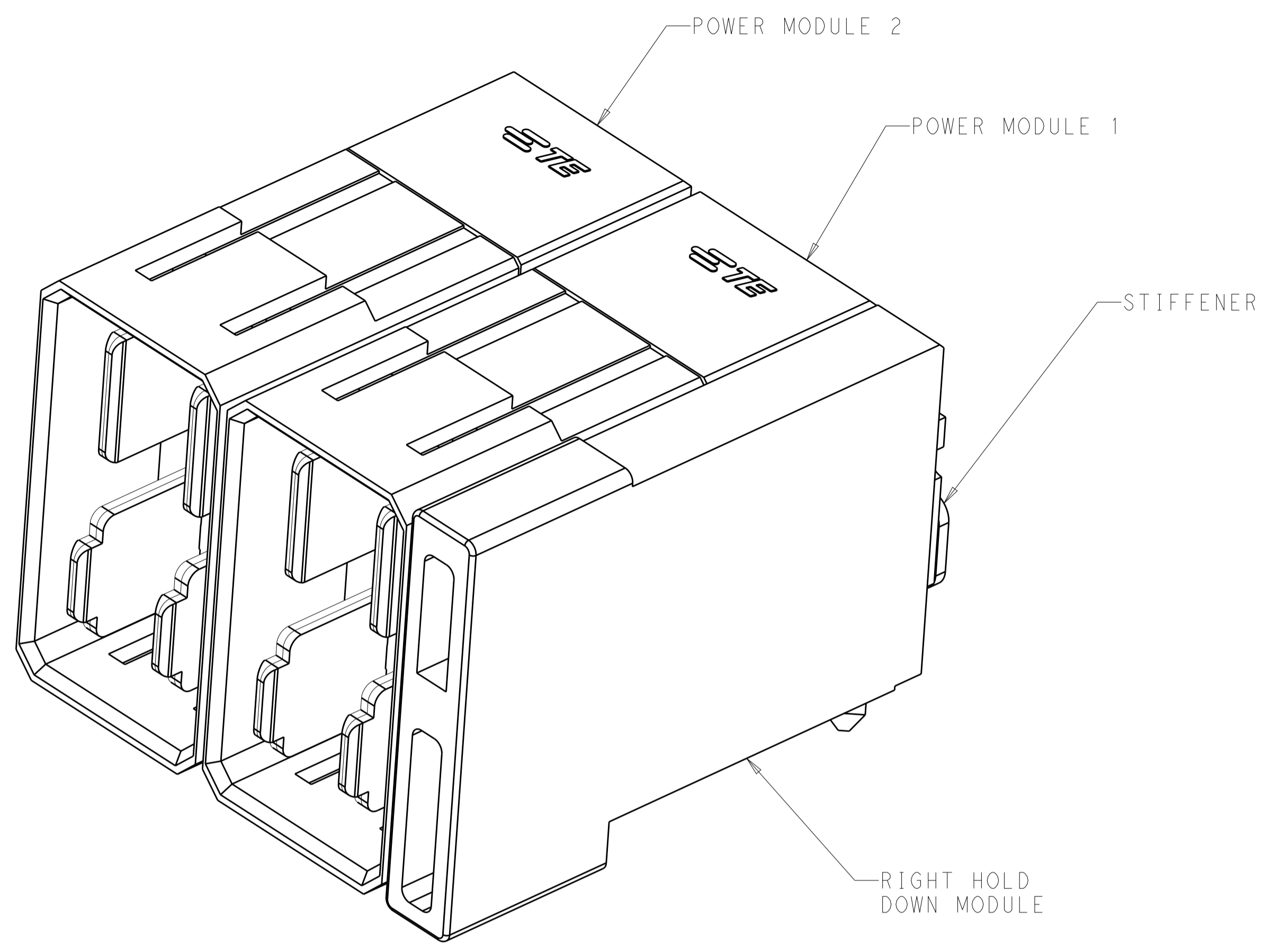
Tel: +86-755-8981 8866 Fax: +86-755-8427 6832

Email & Skype: info@chipsmall.com Web: www.chipsmall.com

Address: A1208, Overseas Decoration Building, #122 Zhenhua RD., Futian, Shenzhen, China



LOC	DIST	REVISIONS					
GP	00	P	LTN	DESCRIPTION	DATE	DWN	APVD
		A		INITIAL RELEASE	25MAY2012	LW	AC
		A1		REV PER ECR-12-010636	19JUN2012	LW	AC



HEADER WITH RIGHT HOLD DOWN MODULE

OBSOLETE	TIN + LEAD	DIMENSIONS (mm)				DIM A	NUMBER OF POWER MODULE	PART NUMBER
		P4	P3	P2	P1			
		6.90	5.70	6.90	5.70	26.40	2X	7-2180490-0
		6.90	5.70	5.70	6.90	26.40	2X	6-2180490-9
		6.90	5.70	5.70	5.70	26.40	2X	6-2180490-8
		6.90	5.70	6.90	6.90	26.40	2X	6-2180490-7
		5.70	6.90	6.90	5.70	26.40	2X	6-2180490-6
		5.70	6.90	5.70	6.90	26.40	2X	6-2180490-5
		5.70	6.90	5.70	5.70	26.40	2X	6-2180490-4
		5.70	6.90	6.90	6.90	26.40	2X	6-2180490-3
		5.70	5.70	6.90	5.70	26.40	2X	6-2180490-2
		5.70	5.70	5.70	6.90	26.40	2X	6-2180490-1
		5.70	5.70	5.70	5.70	26.40	2X	6-2180490-0
		5.70	5.70	6.90	6.90	26.40	2X	5-2180490-9
		6.90	6.90	6.90	5.70	26.40	2X	5-2180490-8
		6.90	6.90	5.70	6.90	26.40	2X	5-2180490-7
		6.90	6.90	5.70	5.70	26.40	2X	5-2180490-6
		6.90	6.90	6.90	6.90	26.40	2X	5-2180490-5
		N/A	N/A	6.90	5.70	15.00	1X	5-2180490-4
		N/A	N/A	5.70	6.90	15.00	1X	5-2180490-3
		N/A	N/A	5.70	5.70	15.00	1X	5-2180490-2
		N/A	N/A	6.90	6.90	15.00	1X	5-2180490-1
	TRAY	6.90	5.70	6.90	5.70	26.40	2X	2-2180490-0
		6.90	5.70	5.70	6.90	26.40	2X	1-2180490-9
		6.90	5.70	5.70	5.70	26.40	2X	1-2180490-8
		6.90	5.70	6.90	6.90	26.40	2X	1-2180490-7
		5.70	6.90	6.90	5.70	26.40	2X	1-2180490-6
		5.70	6.90	5.70	6.90	26.40	2X	1-2180490-5
		5.70	6.90	5.70	5.70	26.40	2X	1-2180490-4
		5.70	6.90	6.90	6.90	26.40	2X	1-2180490-3
		5.70	5.70	6.90	5.70	26.40	2X	1-2180490-2
		5.70	5.70	5.70	5.70	26.40	2X	1-2180490-1
		5.70	5.70	6.90	6.90	26.40	2X	2180490-9
		6.90	6.90	6.90	5.70	26.40	2X	2180490-8
		6.90	6.90	5.70	6.90	26.40	2X	2180490-7
		6.90	6.90	5.70	5.70	26.40	2X	2180490-6
		6.90	6.90	6.90	6.90	26.40	2X	2180490-5
		N/A	N/A	6.90	5.70	15.00	1X	2180490-4
		N/A	N/A	5.70	6.90	15.00	1X	2180490-3
		N/A	N/A	5.70	5.70	15.00	1X	2180490-2
		N/A	N/A	6.90	6.90	15.00	1X	2180490-1
PACKAGING	PLATING TYP	P4	P3	P2	P1	DIM A	NUMBER OF POWER MODULE	PART NUMBER

NOTES:

- △ MATERIALS:
 HOUSING: HIGH TEMP. THERMOPLASTIC GLASS/MINERAL FILLED UL94V-0
 TERMINAL: COPPER ALLOY
- △ FINISH:
 TIN OPTION-0.76um MIN GOLD AT CONTACT AREA AND
 1.27um MIN NICKEL UNDERPLATED OVER ALL
 2.54um TIN AT SOLDER TAIL AREA
 TIN-LEAD OPTION-0.76um MIN GOLD AT CONTACT AREA AND
 1.27um MIN NICKEL UNDERPLATED OVER ALL
 2.54um TIN-LEAD AT SOLDER TAIL AREA
- △ REFER TO TE'S PRODUCT SPECIFICATION:108-2473 FOR PLATED THROUGH-HOLE SPECIFICATION AND TORQUE FORCE
- 4 CONNECTOR WERE PACKED BY TRAY
 REFER TO TE'S PACKAGING SPECIFICATION:107-97874
- 5 MATED WITH 2169809-*
- △ LASER MARK PART NUMBER AND DATE CODE (YYWWDS) CAN BE AT THE OPPOSITE SIDE
- △ ADD 11.40MM FOR EACH ADDITIONAL MODULE
- 8. REFER TO DOCUMENT NUMBER:2169802 FOR INDIVIDUAL MODULE COMPONENT INFORMATION
- △ FIRST POWER MODULE(1#) STARTS FROM THE RIGHT
- △ DIMENSION P1&P2 FOR POWER MODULE 1, P3&P4 FOR POWER MODULE 2
- △ COMPONENT STAY AWAY ZONE FROM CONNECTOR
- △ ALL PARTS ARE SHIPPED WITH A 2-32 AB TYPE SELF-TAPPING SCREW P/N:2057509-2

THIS DRAWING IS A CONTROLLED DOCUMENT. DWN: LERRY WANG 08FEB2012
 CHK: SUNY ZHAO 08FEB2012
 APVD: SUNY ZHAO 08FEB2012

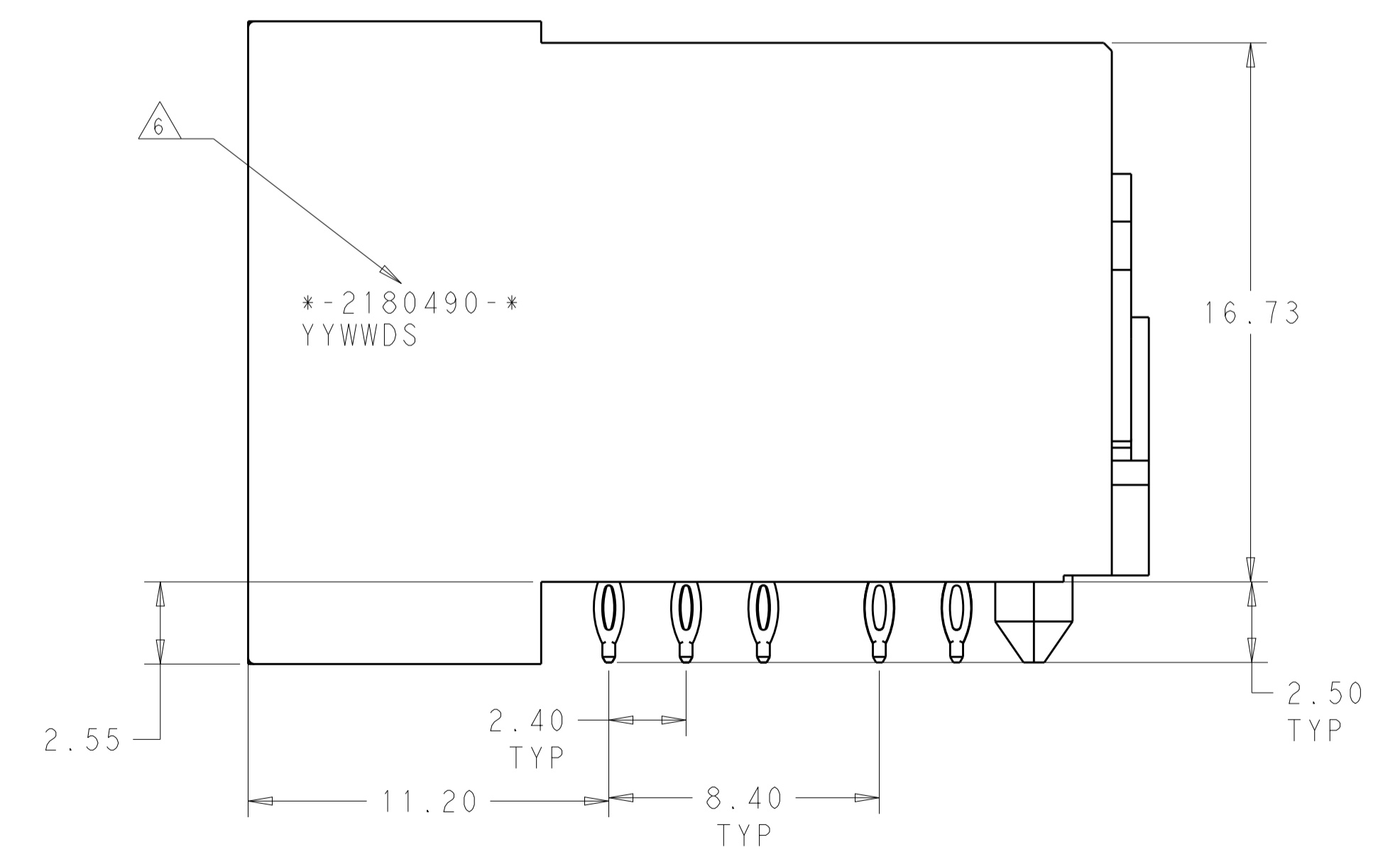
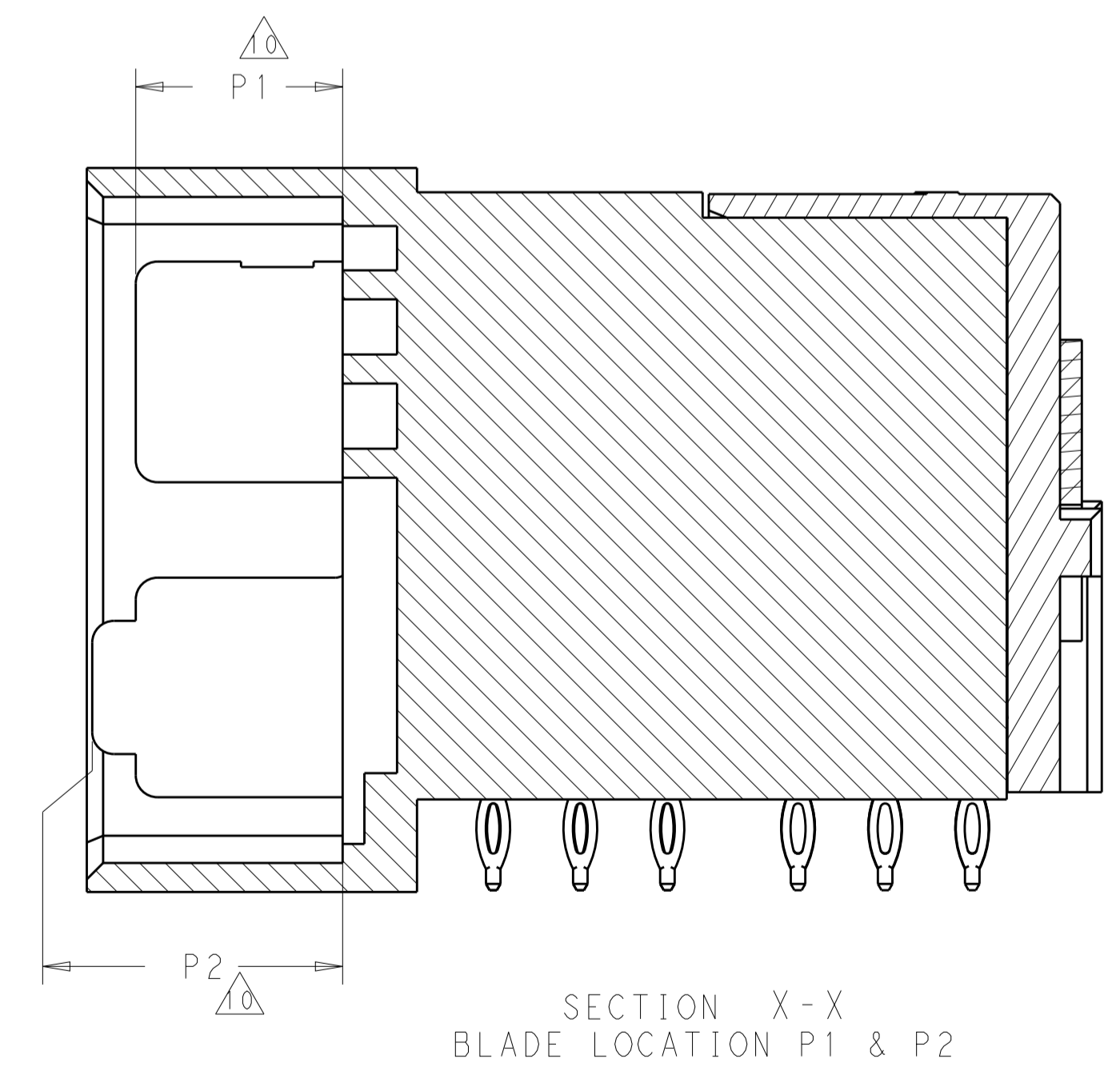
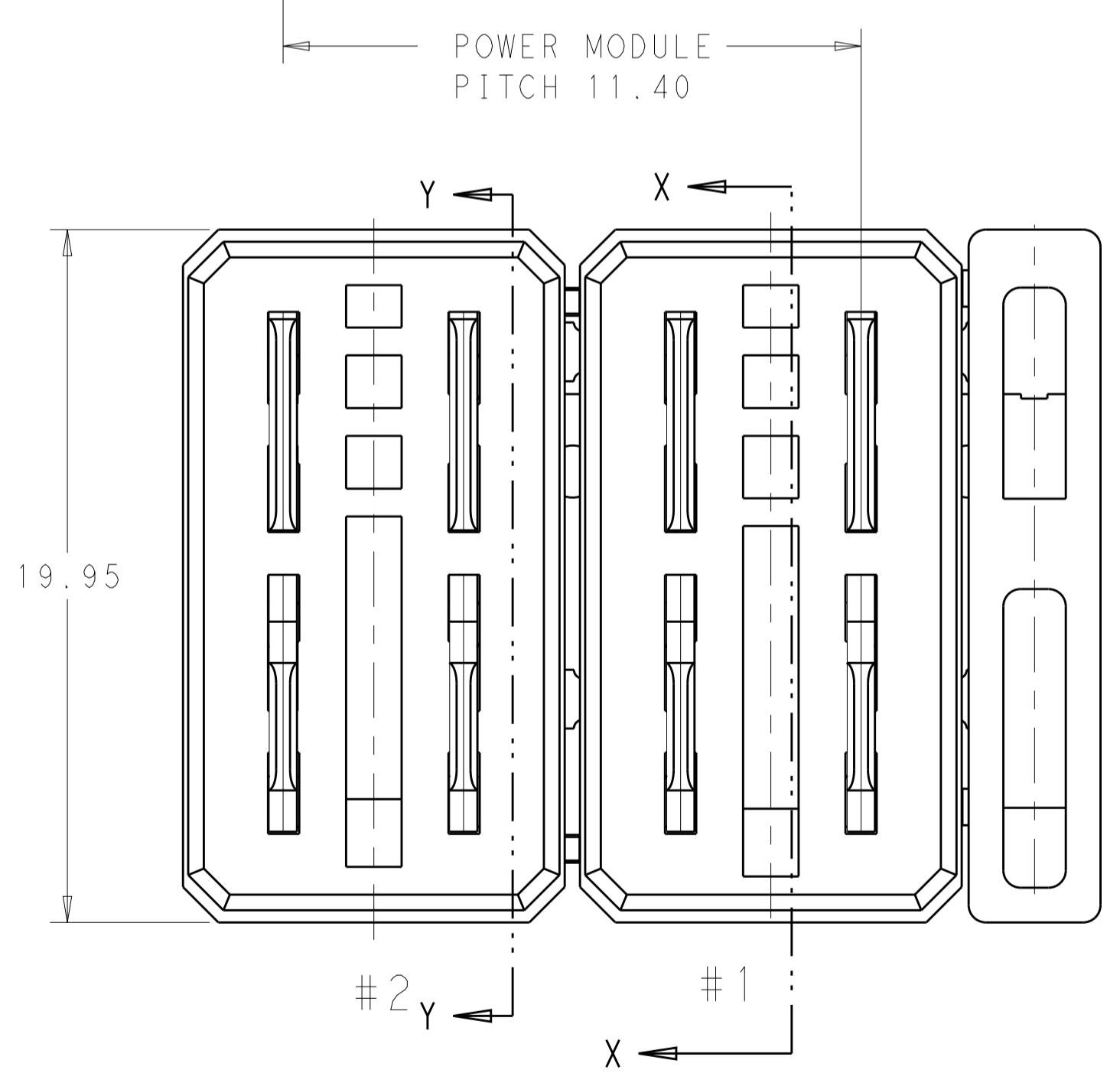
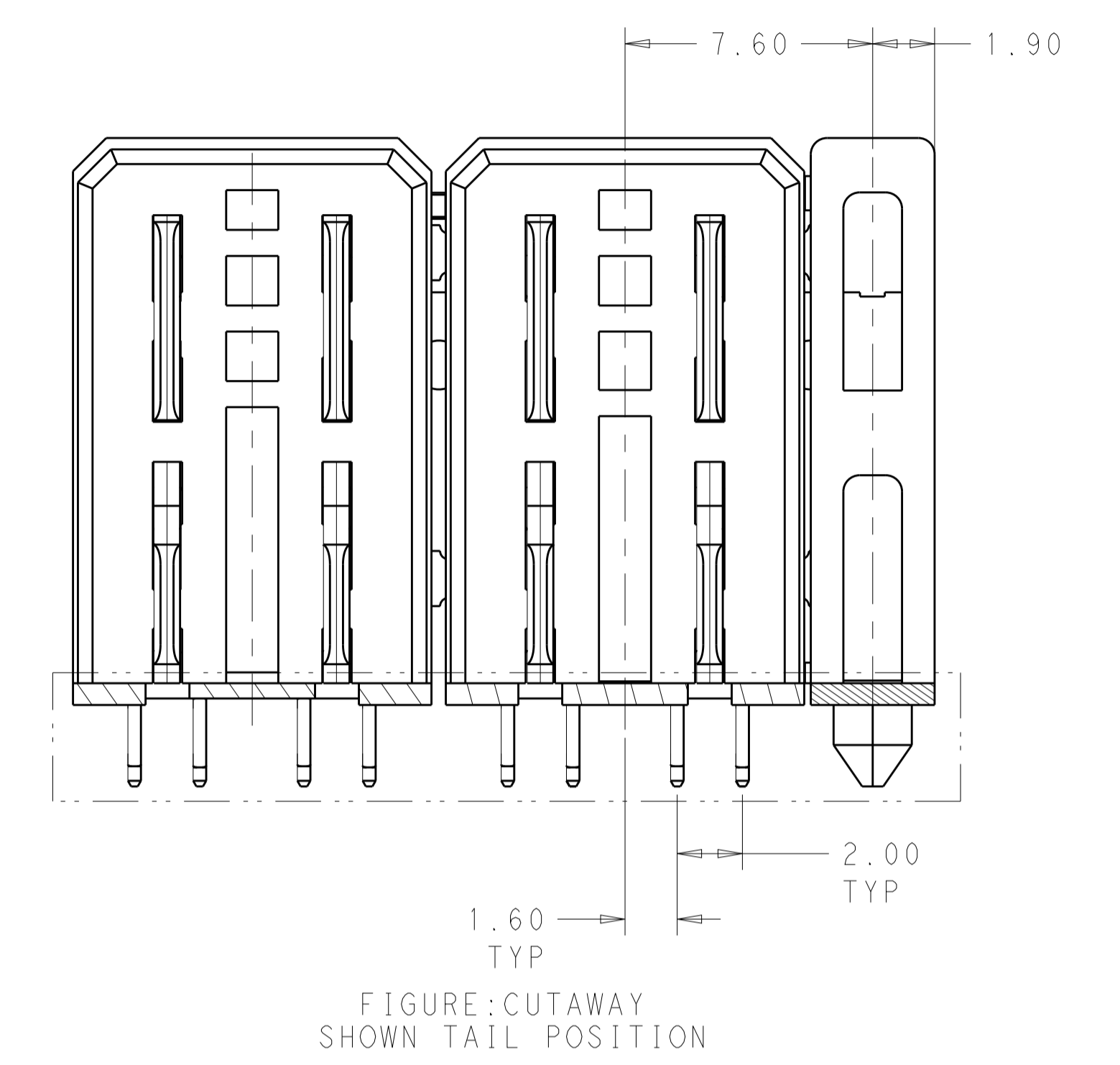
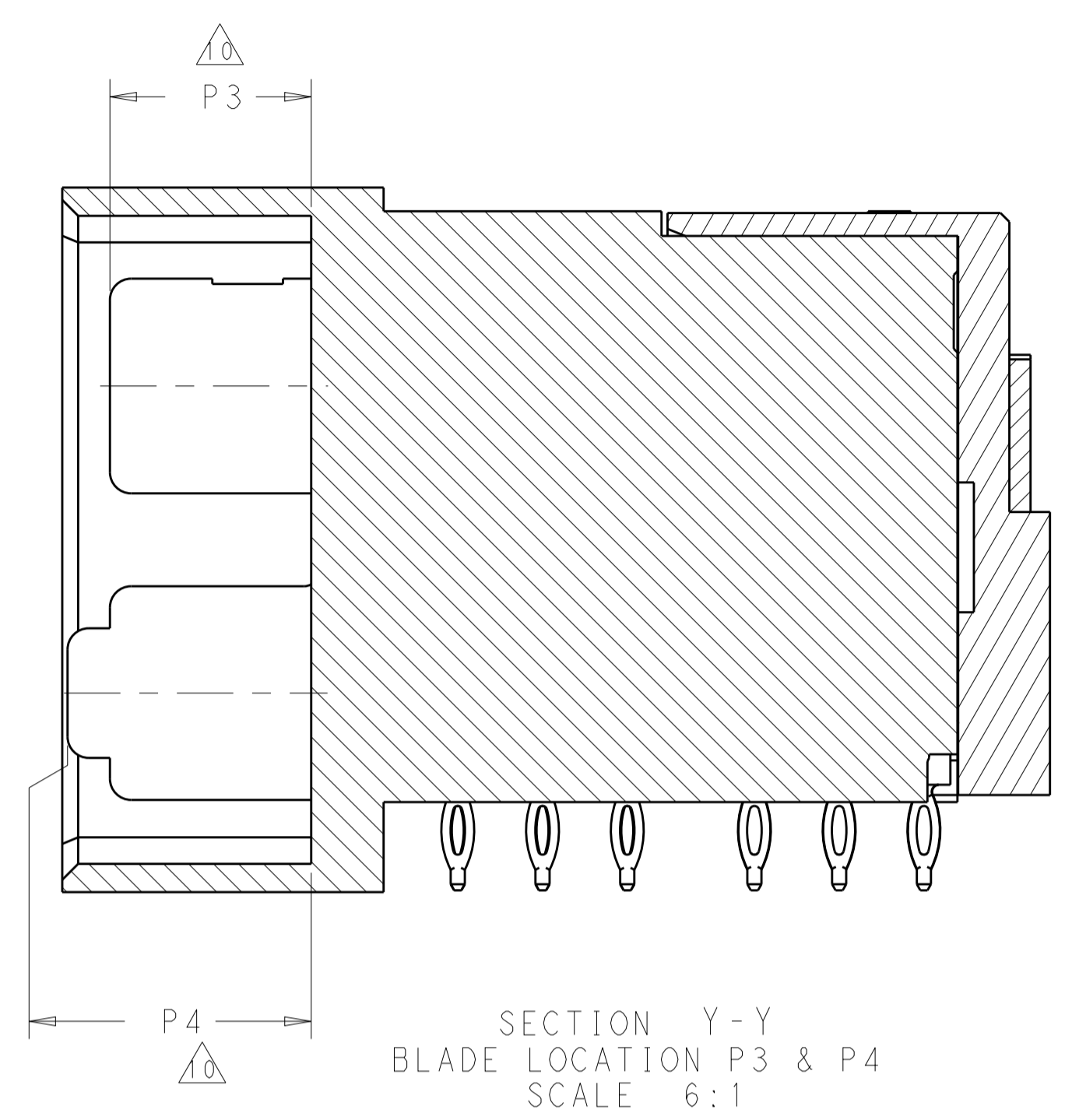
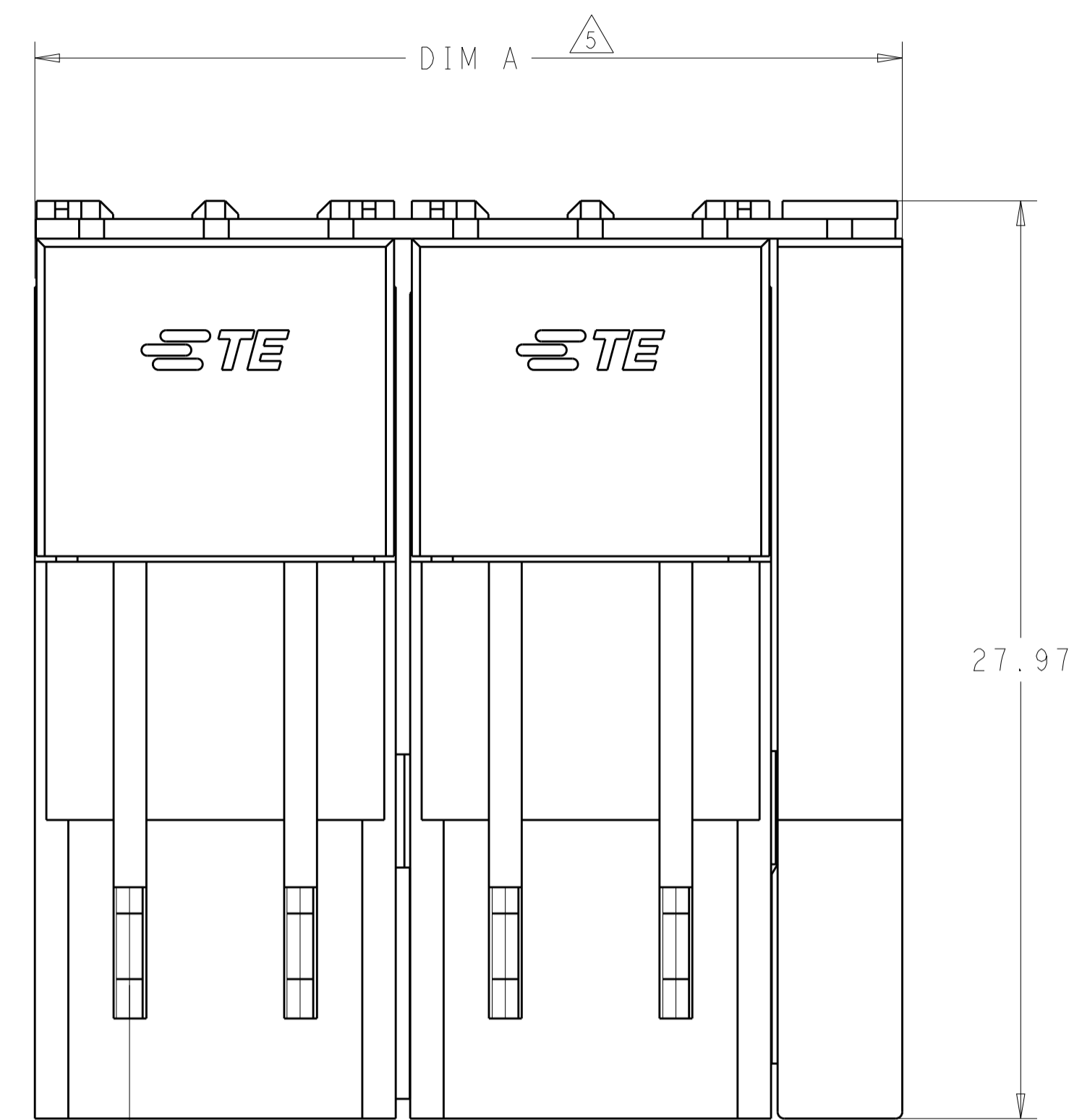
TE Connectivity

IMPACT POWER 4PAIR HEADER WITH RIGHT HOLD DOWN PRESS FIT

SIZE: 114-32028 CAGE CODE: A100779 DRAWING NO: 2180490

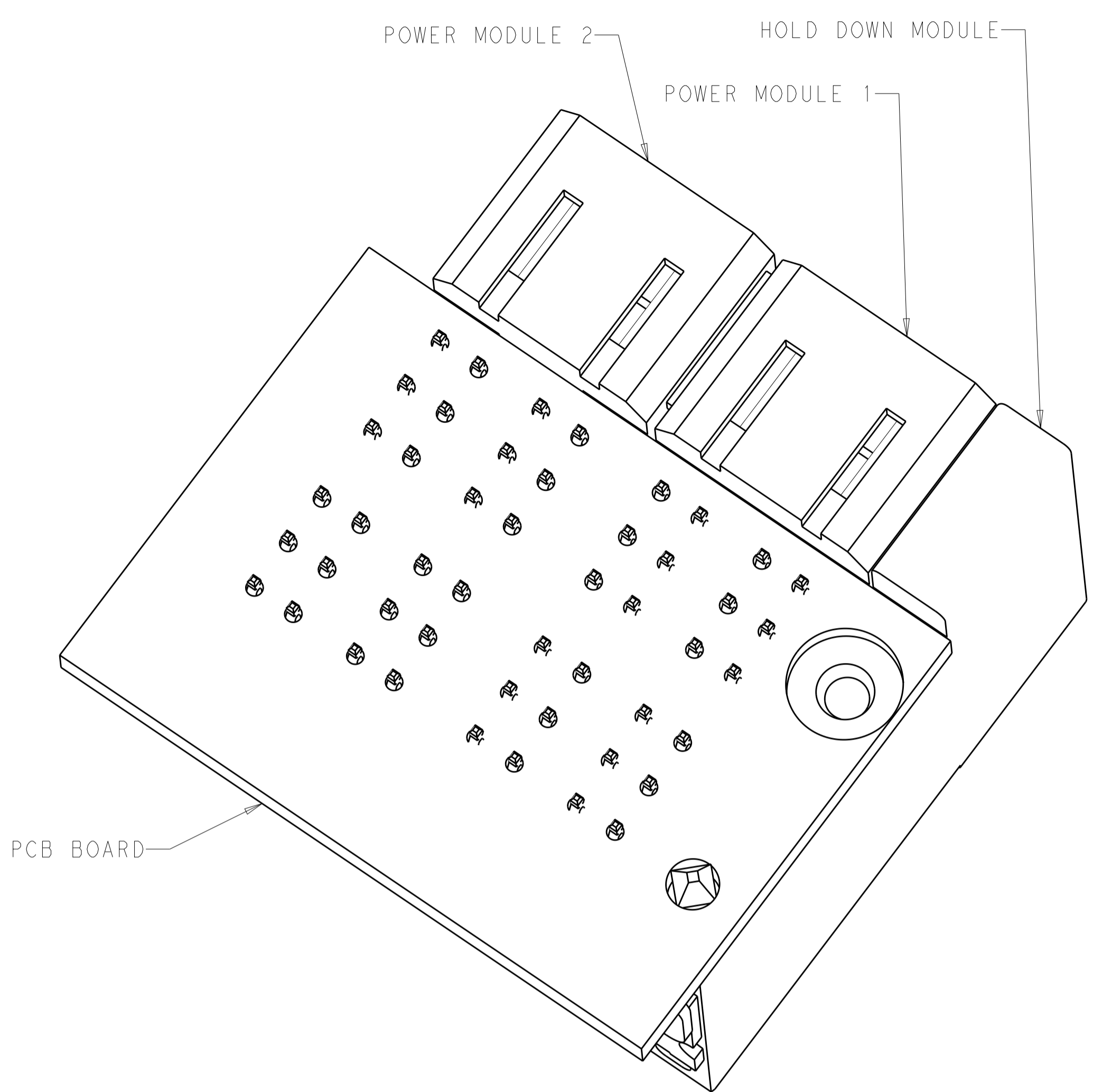
SCALE: 6:1 SHEET 1 OF 3 REV: A1

LOC	DIST	REVISIONS					
GP	00	P	LTN	DESCRIPTION	DATE	DWN	APVD
-	-	-	-	SEE SHEET 1	-	-	-

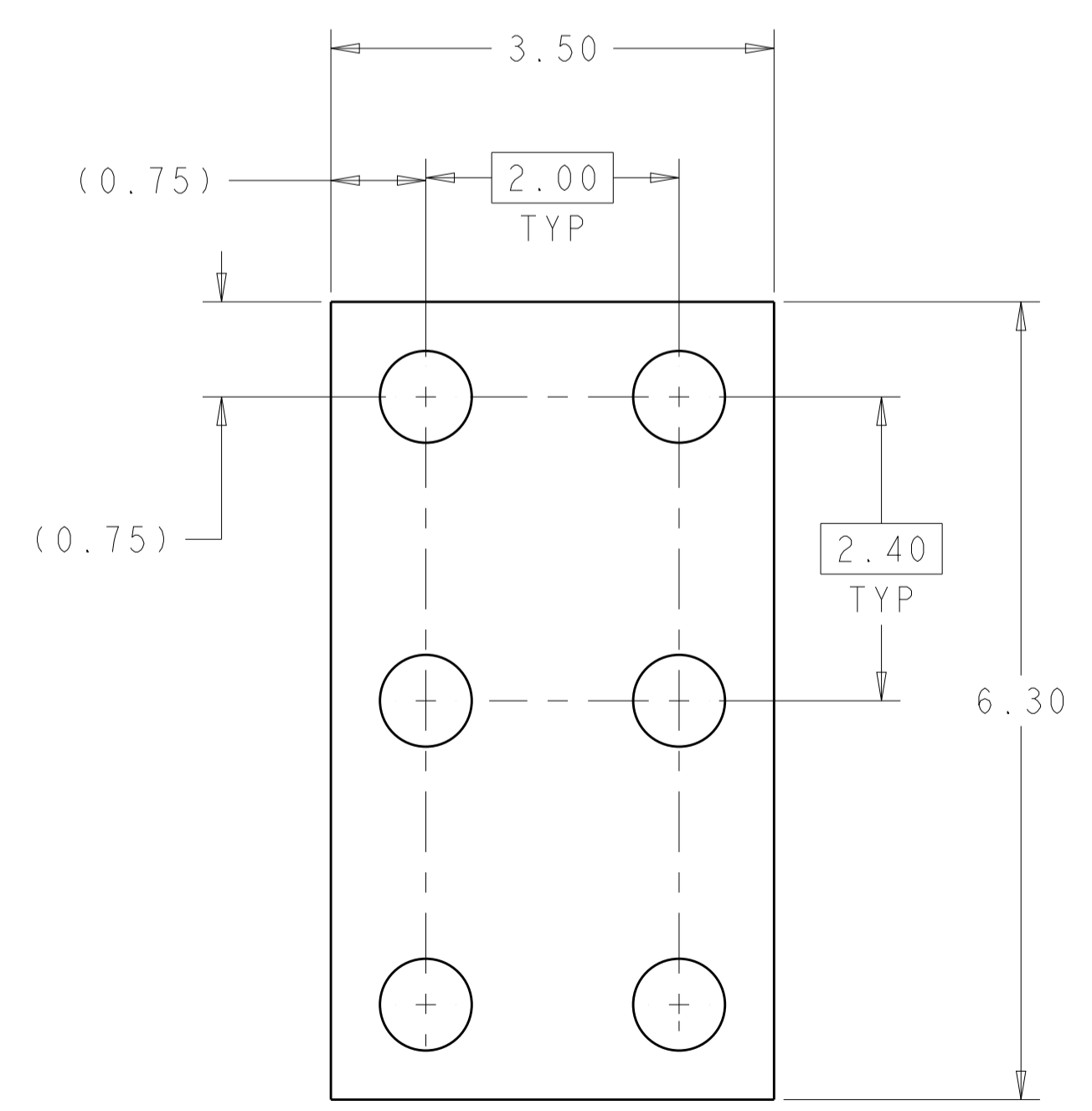


THIS DRAWING IS A CONTROLLED DOCUMENT.		OWN: LERRY WANG 08FEB2012	TE Connectivity
DIMENSIONS: mm		CHK: SUNY ZHAO 08FEB2012	
TOLERANCES UNLESS OTHERWISE SPECIFIED:		APVD: SUNY ZHAO 08FEB2012	NAME: IMPACT POWER 4PAIR HEADER WITH RIGHT HOLD DOWN PRESS FIT
0 PLC ±---	1 PLC ±---	PRODUCT SPEC	SIZE: A1
2 PLC ±0.25	3 PLC ±---	APPLICATION SPEC	CAGE CODE: 114-32028
4 PLC ±---	ANGLES ±---	WEIGHT	REV: A1
MATERIAL: -	FINISH: -	CUSTOMER DRAWING	SCALE: 6:1 SHEET 2 OF 3

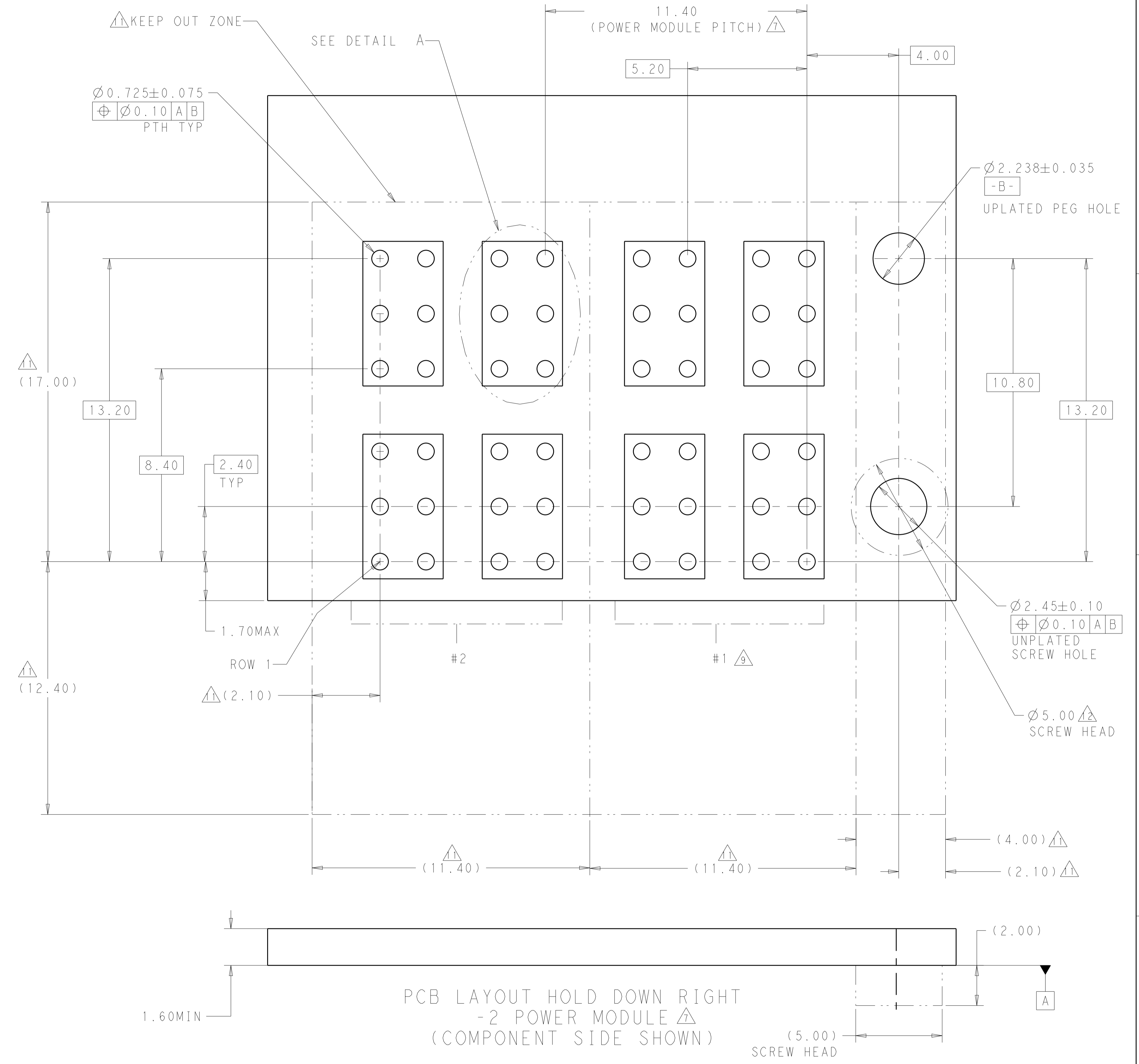
LOC	DIST	REVISIONS			
GP	00	REV	DATE	BY	APPV
		1	SEE SHEET 1		



CONNECTOR WITH PCB BOARD



DETAIL A
SCALE 20:1
COPPER PAD REFERENCE



PCB LAYOUT HOLD DOWN RIGHT
- 2 POWER MODULE
(COMPONENT SIDE SHOWN)

THIS DRAWING IS A CONTROLLED DOCUMENT.		OWN LERRY WANG 08FEB2012	 TE Connectivity
DIMENSIONS: mm		CHK SUNY ZHAO 08FEB2012	
TOLERANCES UNLESS OTHERWISE SPECIFIED:		APVD SUNY ZHAO 08FEB2012	
0 PLC ±0.10 1 PLC ±0.15 2 PLC ±0.25 3 PLC ±0.30 4 PLC ±0.40 ANGLES ±0.5°		NAME IMPACT POWER 4PAIR HEADER WITH RIGHT HOLD DOWN PRESS FIT	
MATERIAL: -		PRODUCT SPEC: -	SIZE: A1
FINISH: -		APPLICATION SPEC: 114-32028	CAGE CODE: 00779
-		WEIGHT: -	DRAWING NO: C=2180490
-		CUSTOMER DRAWING	SCALE: 6:1 SHEET 3 OF 3 REV: A1