



Chipsmall Limited consists of a professional team with an average of over 10 year of expertise in the distribution of electronic components. Based in Hongkong, we have already established firm and mutual-benefit business relationships with customers from,Europe,America and south Asia,supplying obsolete and hard-to-find components to meet their specific needs.

With the principle of “Quality Parts,Customers Priority,Honest Operation,and Considerate Service”,our business mainly focus on the distribution of electronic components. Line cards we deal with include Microchip,ALPS,ROHM,Xilinx,Pulse,ON,Everlight and Freescale. Main products comprise IC,Modules,Potentiometer,IC Socket,Relay,Connector.Our parts cover such applications as commercial,industrial, and automotives areas.

We are looking forward to setting up business relationship with you and hope to provide you with the best service and solution. Let us make a better world for our industry!



Contact us

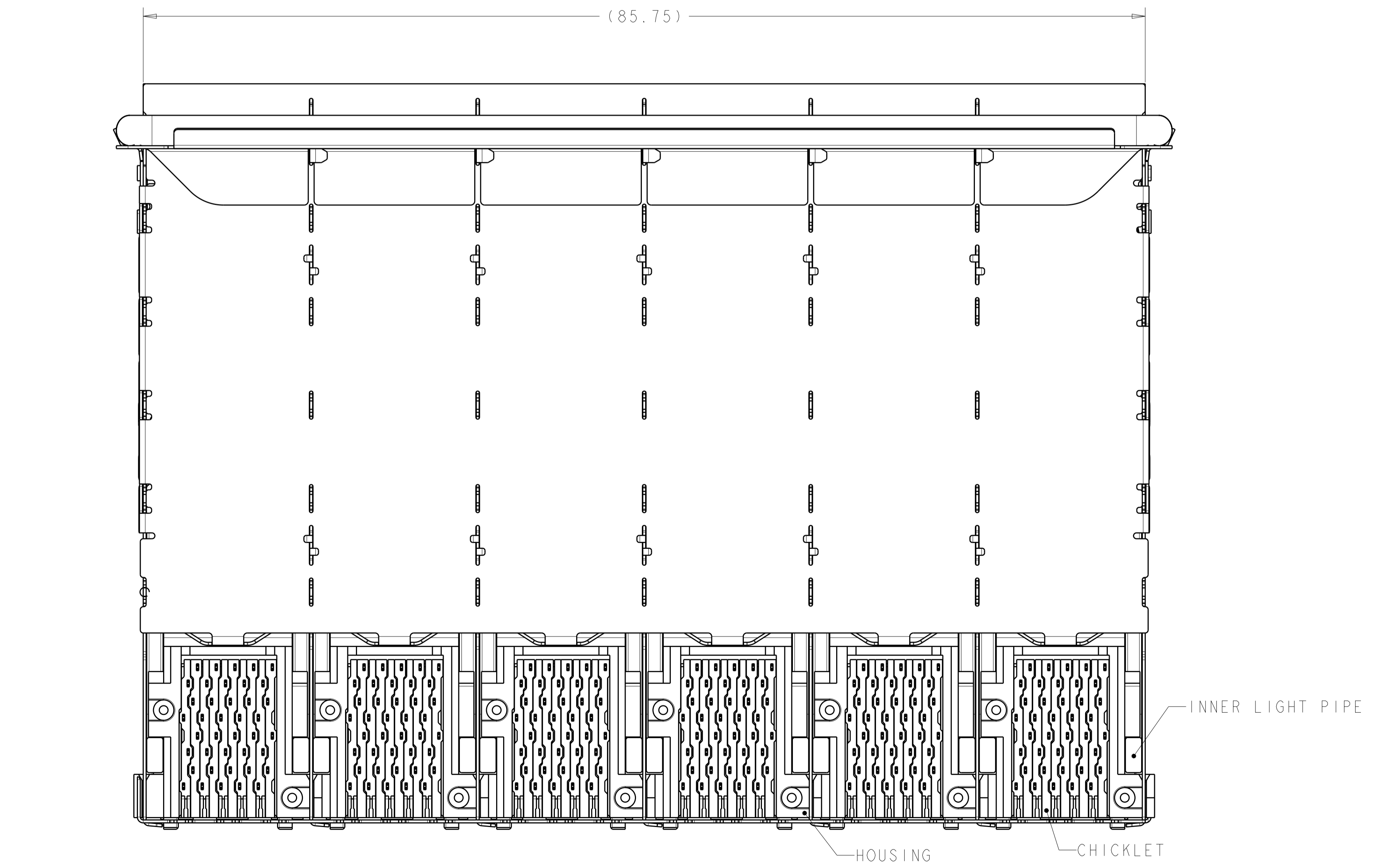
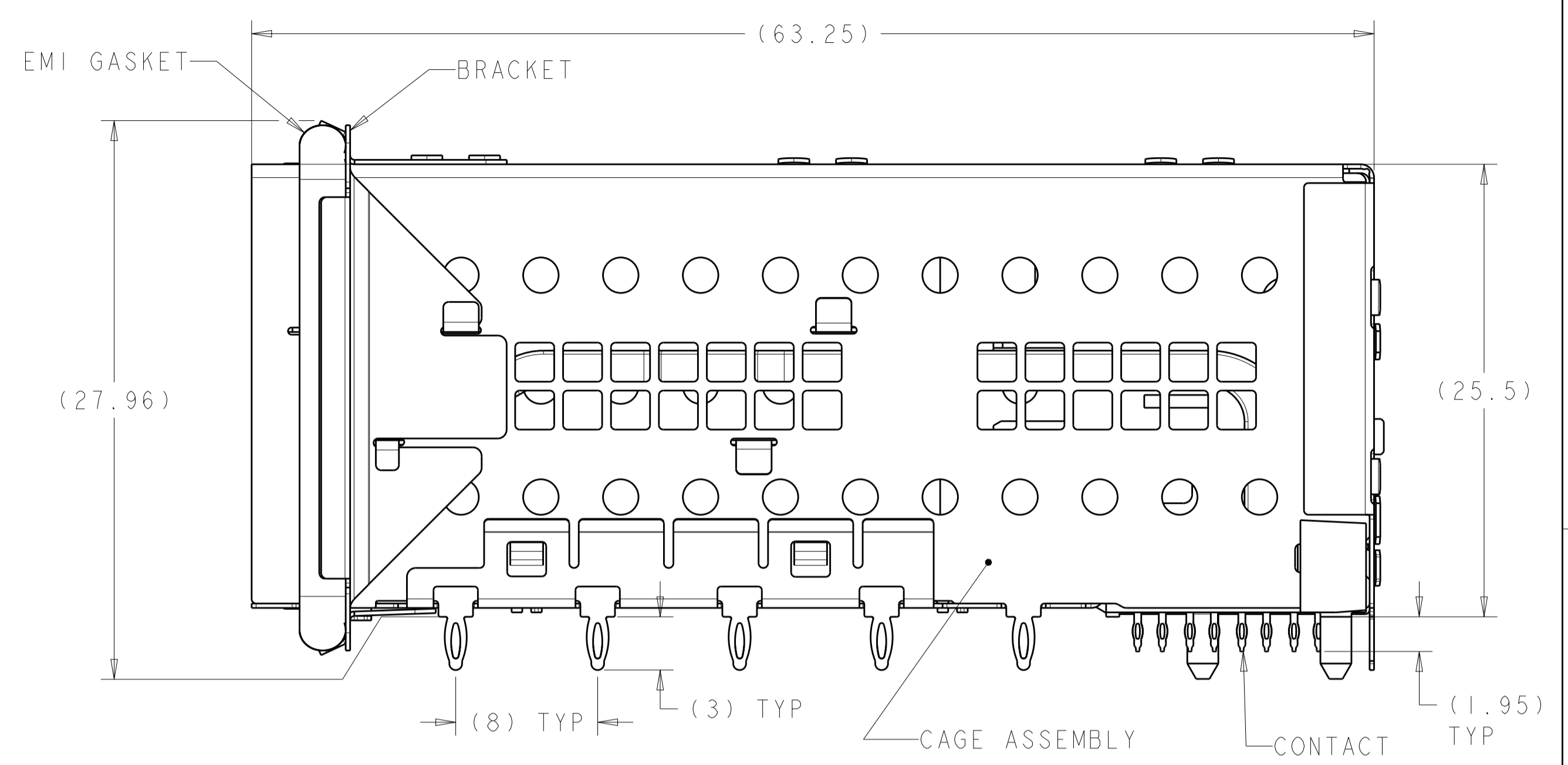
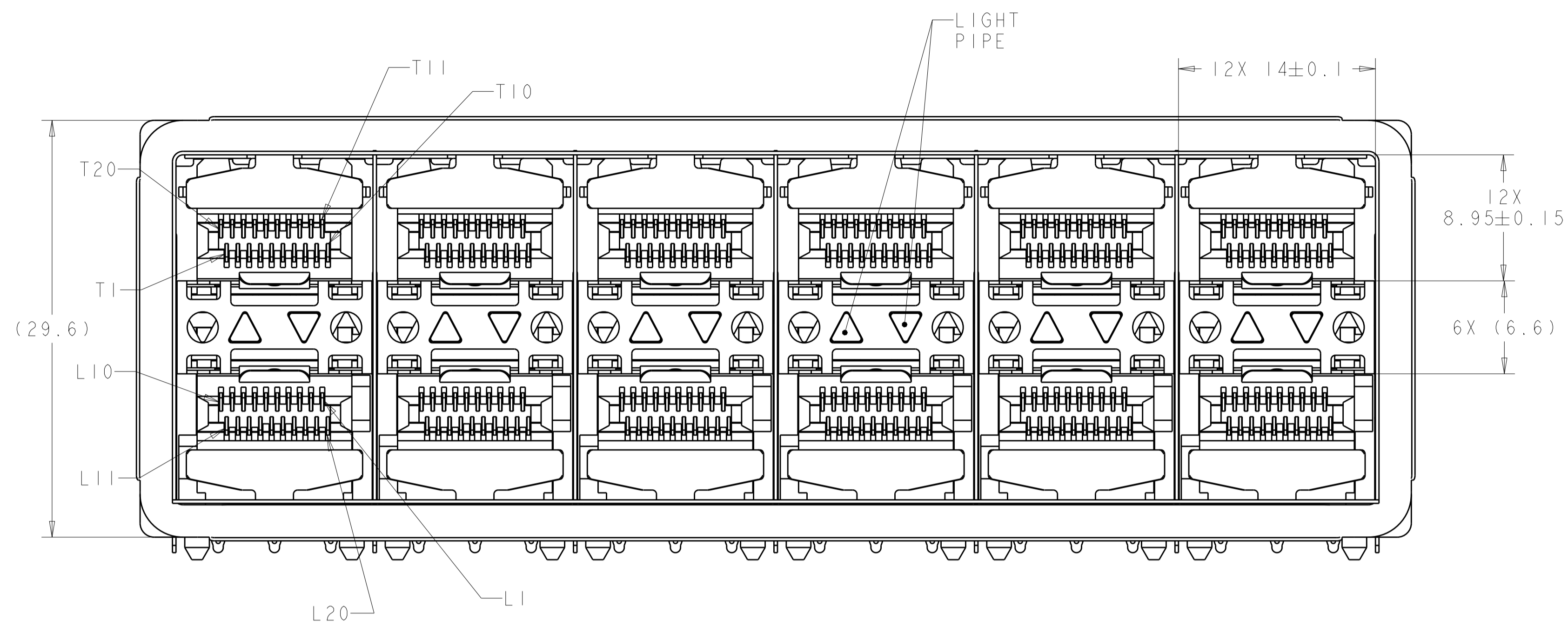
Tel: +86-755-8981 8866 Fax: +86-755-8427 6832

Email & Skype: info@chipsmall.com Web: www.chipsmall.com

Address: A1208, Overseas Decoration Building, #122 Zhenhua RD., Futian, Shenzhen, China



| LOC | | DIST | | REVISIONS | | | |
|-----|----|------|-----|---------------------------|-----------|-----|------|
| GP | 00 | P | LTN | DESCRIPTION | DATE | DMN | APVD |
| | | A | | REVISED PER ECO-15-017922 | 31MAR2016 | AP | RP |

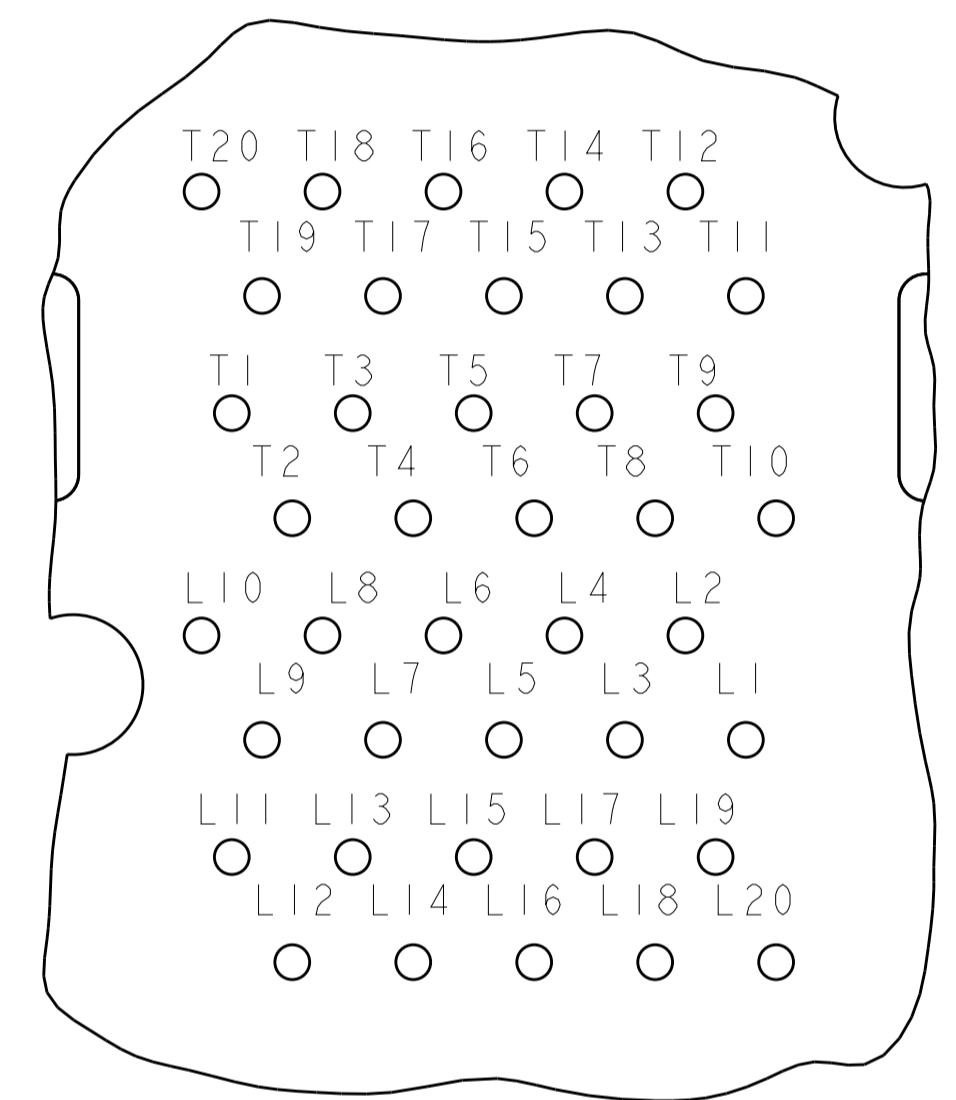
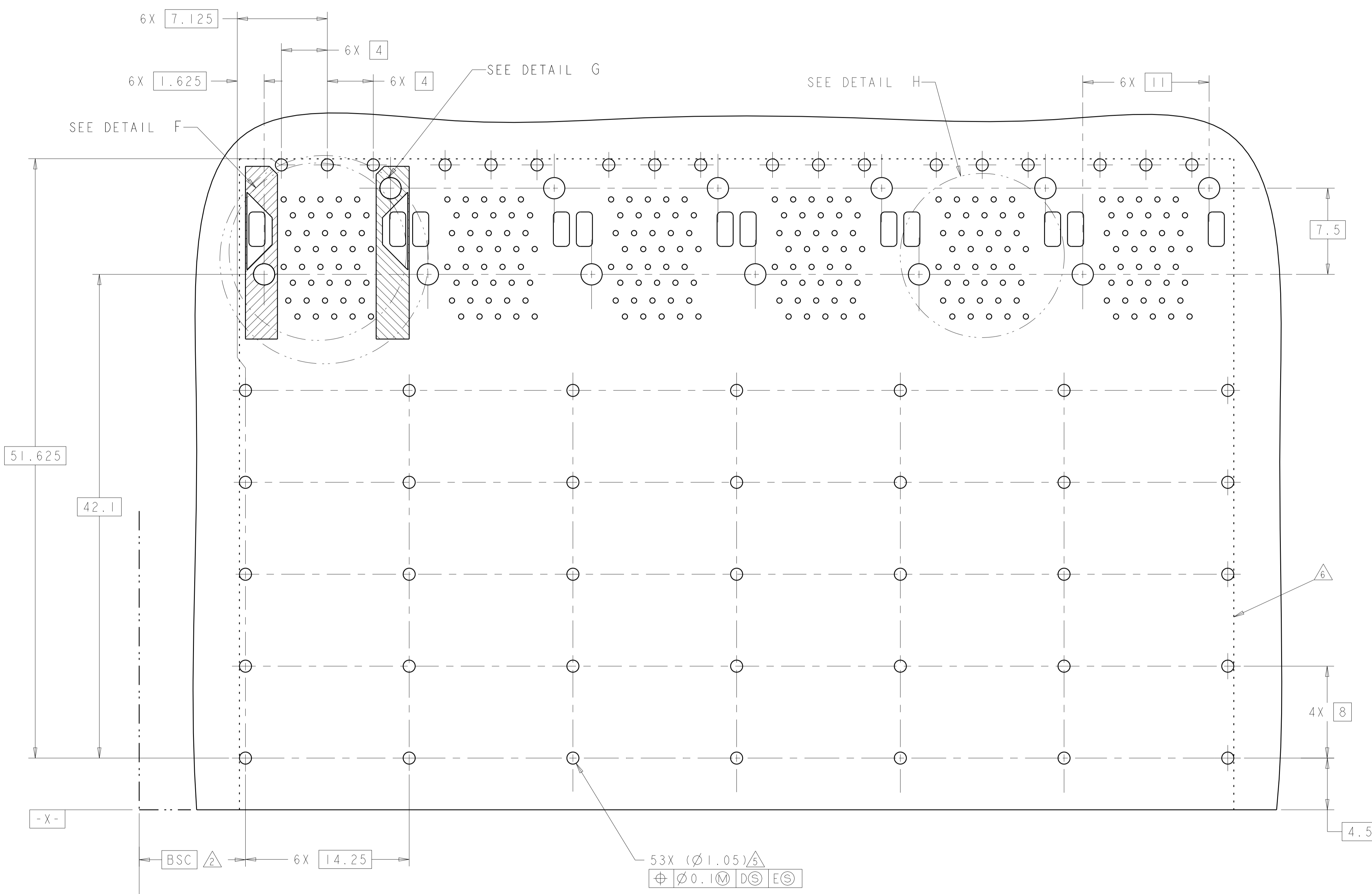


- 1 MATERIALS:
 CAGE ASSEMBLY- NICKEL SILVER ALLOY PER ASTM B 122.
 BRACKET- STAINLESS STEEL.
 EMI GASKET- PLATED FILLED SILICONE.
 HOUSING- BLACK LCP, UL 94V-0 RATED.
 CHICKLET- BLACK LCP, UL 94V-0 RATED.
 LIGHT PIPE- POLYCARBONATE, CLEAR.
 INSERT - LCP, BLACK, UL 94V-0.
 CONTACT- COPPER ALLOY.
- 2 DATUM AND BASIC DIMENSIONS ESTABLISHED BY CUSTOMER.
- 3. MINIMUM PCB THICKNESS OF 1.5.
- 4 CONTACT MATING AREA: SURFACE TREATMENT OVER 0.76µm MIN GOLD OVER 1.27µm MIN NICKEL. CONFORMS TO THE REQUIREMENTS OF PRODUCT SPECIFICATION 108-2331, BASED ON EIA/ECA-364-1000.01A (CONTROLLED ENVIRONMENT APPLICATIONS).
 NEEDLE EYE: 1.25 µm MIN TIN OVER 1.27 µm MIN NICKEL.
 REMAINDER OF CONTACT: 0.76µm MIN NICKEL.
- 5 FOR HOLE SIZE AND PLATINGS, SEE APPLICATION SPEC 114-13219.
- 6 THE ENTIRE AREA OF THE CONNECTOR FOOTPRINT, INDICATED BY THE DASHED LINE, TO BE CONSIDERED THE KEEPOUT AREA FOR COMPONENTS AND SIGNAL TRACES, TOP SIDE ONLY. TOP SIDE TRACES ALLOWED WITHIN CONNECTOR HOLE PATTERN.
- 7 LIGHT PIPE PAD LAYOUT IS FOR 0805 LOW PROFILE LED PACKAGE WITH A HEIGHT OF 0.8mm.

2180640-1
PART NUMBER

| | | | |
|--|--|-----------------------------|---|
| THIS DRAWING IS A CONTROLLED DOCUMENT. | | DMN: B. MATTHEWS 12OCT2011 | NAME: CAGE AND PT CONNECTOR ASSEMBLY, WITH EMI GASKET, PRESS FIT, 2X6, STACKED SFP+ |
| DIMENSIONS: mm | | CHK: M. SCHMITT 12OCT2011 | |
| TOLERANCES UNLESS OTHERWISE SPECIFIED: | | APVD: M. SCHMITT 12OCT2011 | PRODUCT SPEC: 108-2331 |
| 0 PLC ±0.10 | | APPLICATION SPEC: 114-13219 | SIZE: A1 |
| 1 PLC ±0.10 | | WEIGHT: - | CAGE CODE: 2180640 |
| 2 PLC ±0.10 | | FINISH: - | SCALE: 4:1 |
| 3 PLC ±0.10 | | RESTRICTION: - | SHEET: 1 OF 3 |
| 4 PLC ±0.10 | | CUSTOMER DRAWING | REV: A |
| ANGLES: ±° | | | |

| LOC | | DIST | | REVISIONS | | | |
|-----|------|-------------|------|-----------|------|--|--|
| P. | LTN. | DESCRIPTION | DATE | DMN | APVD | | |
| - | - | SEE SHEET 1 | - | - | - | | |

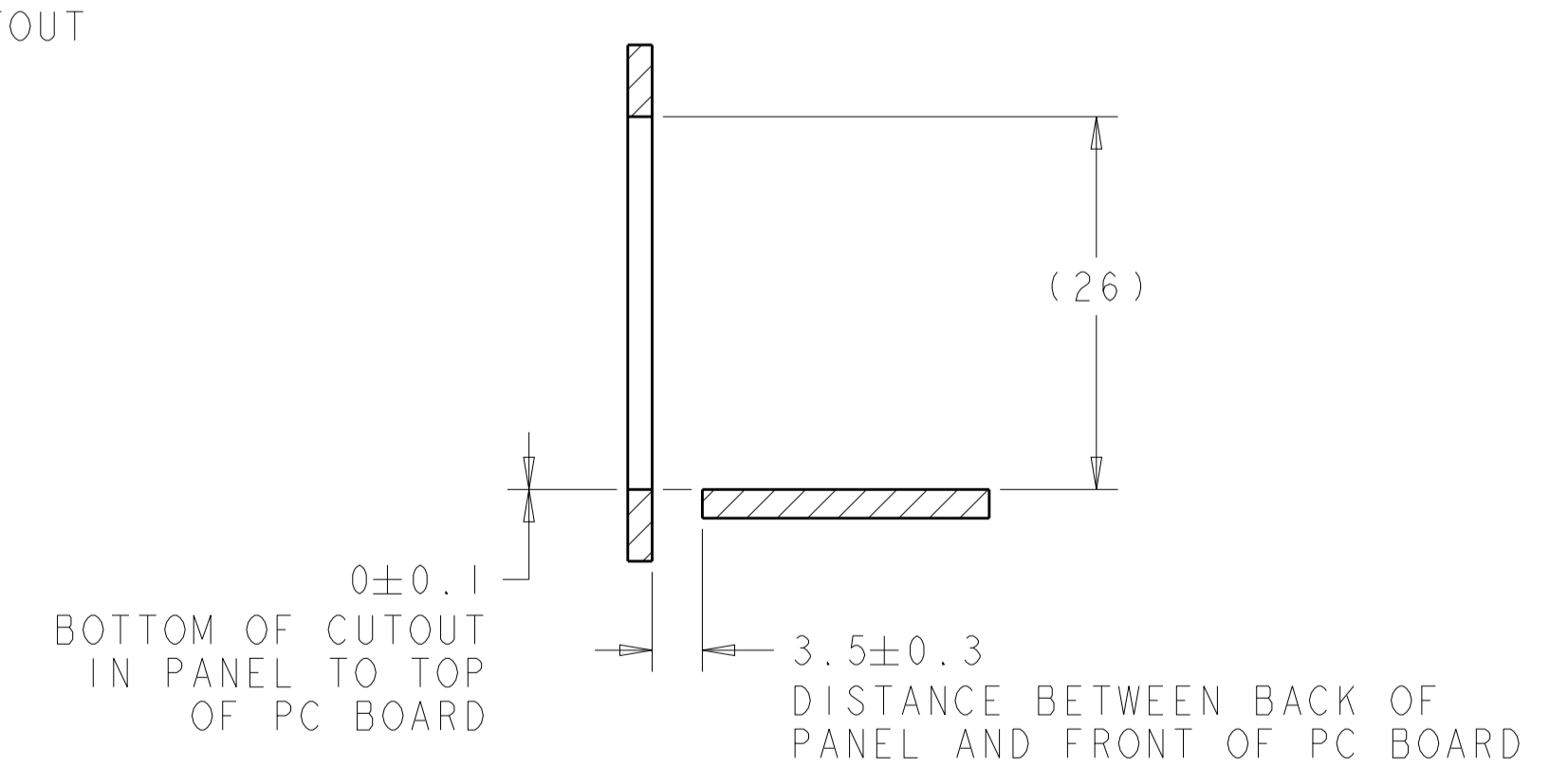
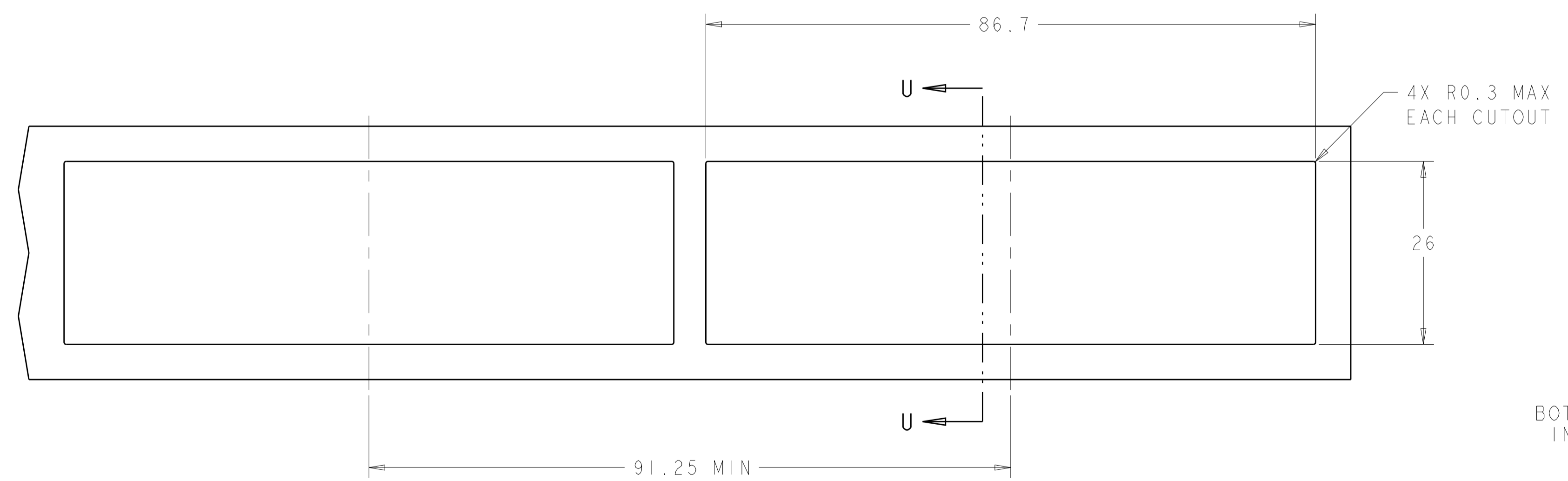
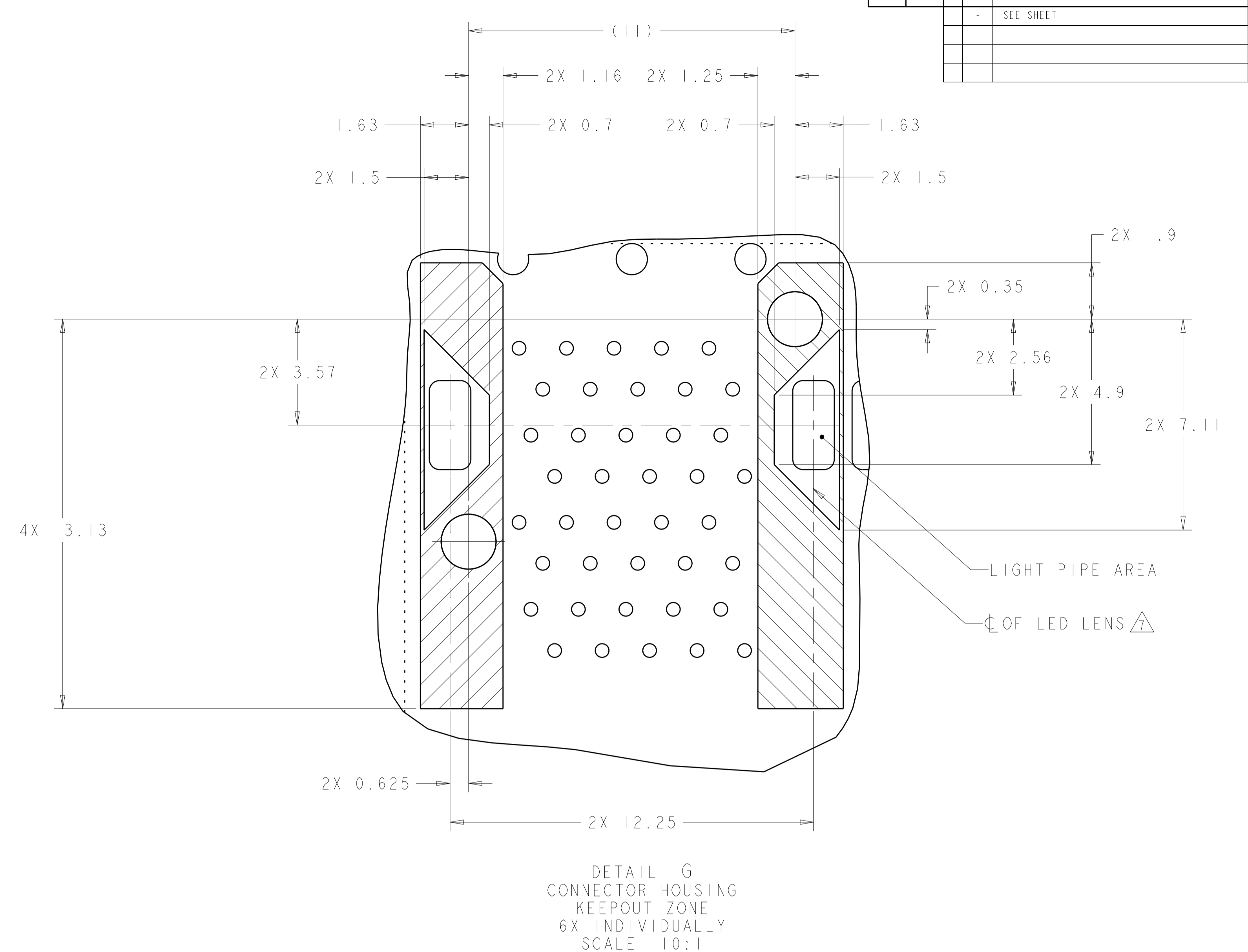
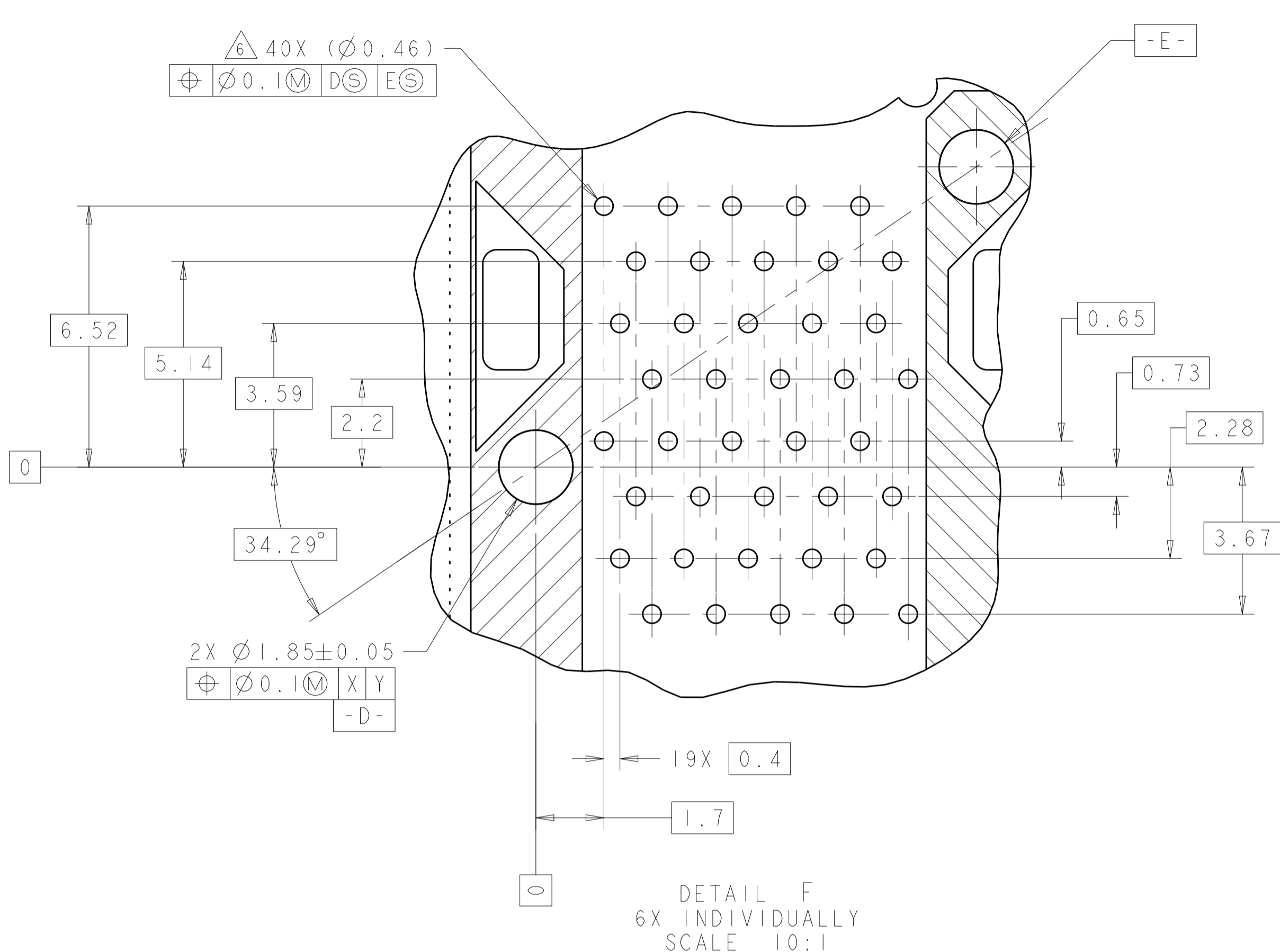


DETAIL H
CONNECTOR PIN-OUT
COMPONENT SIDE OF BOARD
6X INDIVIDUALLY
SCALE 10:1

RECOMMENDED PCB LAYOUT
COMPONENT SIDE OF BOARD
SCALE 5:1

| | | | |
|--|-------------|-----------------------------|---|
| THIS DRAWING IS A CONTROLLED DOCUMENT. | | DMN: B. MATTHEWS (20CT2011) | TE Connectivity |
| DIMENSIONS: mm | | CHK: M. SCHMITT (20CT2011) | |
| TOLERANCES UNLESS OTHERWISE SPECIFIED: | | APVD: M. SCHMITT (20CT2011) | NAME: CAGE AND PT CONNECTOR ASSEMBLY, WITH EMI GASKET, PRESS FIT, 2X6, STACKED SFP+ |
| 0 PLC ±0.10 | 1 PLC ±0.10 | PRODUCT SPEC: 108-2331 | SIZE: CAGE CODE DRAWING NO. RESTRICTED TO |
| 2 PLC ±0.10 | 3 PLC ±0.10 | APPLICATION SPEC: 114-13219 | A100779C=2180640 |
| 4 PLC ±0.10 | ANGLES ±° | WEIGHT: - | SCALE: 4:1 SHEET 2 OF 3 REV A |
| MATERIAL: - | FINISH: - | CUSTOMER DRAWING | |

| LOC | DIST | REVISIONS | | | |
|-----|------|-------------|------|-----|------|
| P. | LTN | DESCRIPTION | DATE | DMN | APVD |
| - | - | SEE SHEET 1 | - | - | - |



| | | | |
|--|-------|-----------------------------|---|
| THIS DRAWING IS A CONTROLLED DOCUMENT. | | DMN: B. MATTHEWS (20CT2011) | TE Connectivity |
| DIMENSIONS: mm | | CHK: M. SCHMITT (20CT2011) | |
| TOLERANCES UNLESS OTHERWISE SPECIFIED: | | APVD: M. SCHMITT (20CT2011) | NAME: CAGE AND PT CONNECTOR ASSEMBLY, WITH EMI GASKET, PRESS FIT, 2X6, STACKED SFP+ |
| 0 PLC | ±0.10 | PRODUCT SPEC | 108-2331 |
| 1 PLC | ±0.10 | APPLICATION SPEC | 114-13219 |
| 2 PLC | ±0.10 | SIZE | A100779 |
| 3 PLC | ±0.10 | CAGE CODE | C=2180640 |
| 4 PLC | ±0.10 | WEIGHT | - |
| ANGLES | ±° | CUSTOMER DRAWING | SCALE 4:1 SHEET 3 OF 3 REV A |