



Chipsmall Limited consists of a professional team with an average of over 10 year of expertise in the distribution of electronic components. Based in Hongkong, we have already established firm and mutual-benefit business relationships with customers from,Europe,America and south Asia,supplying obsolete and hard-to-find components to meet their specific needs.

With the principle of “Quality Parts,Customers Priority,Honest Operation,and Considerate Service”,our business mainly focus on the distribution of electronic components. Line cards we deal with include Microchip,ALPS,ROHM,Xilinx,Pulse,ON,Everlight and Freescale. Main products comprise IC,Modules,Potentiometer,IC Socket,Relay,Connector.Our parts cover such applications as commercial,industrial, and automotives areas.

We are looking forward to setting up business relationship with you and hope to provide you with the best service and solution. Let us make a better world for our industry!



Contact us

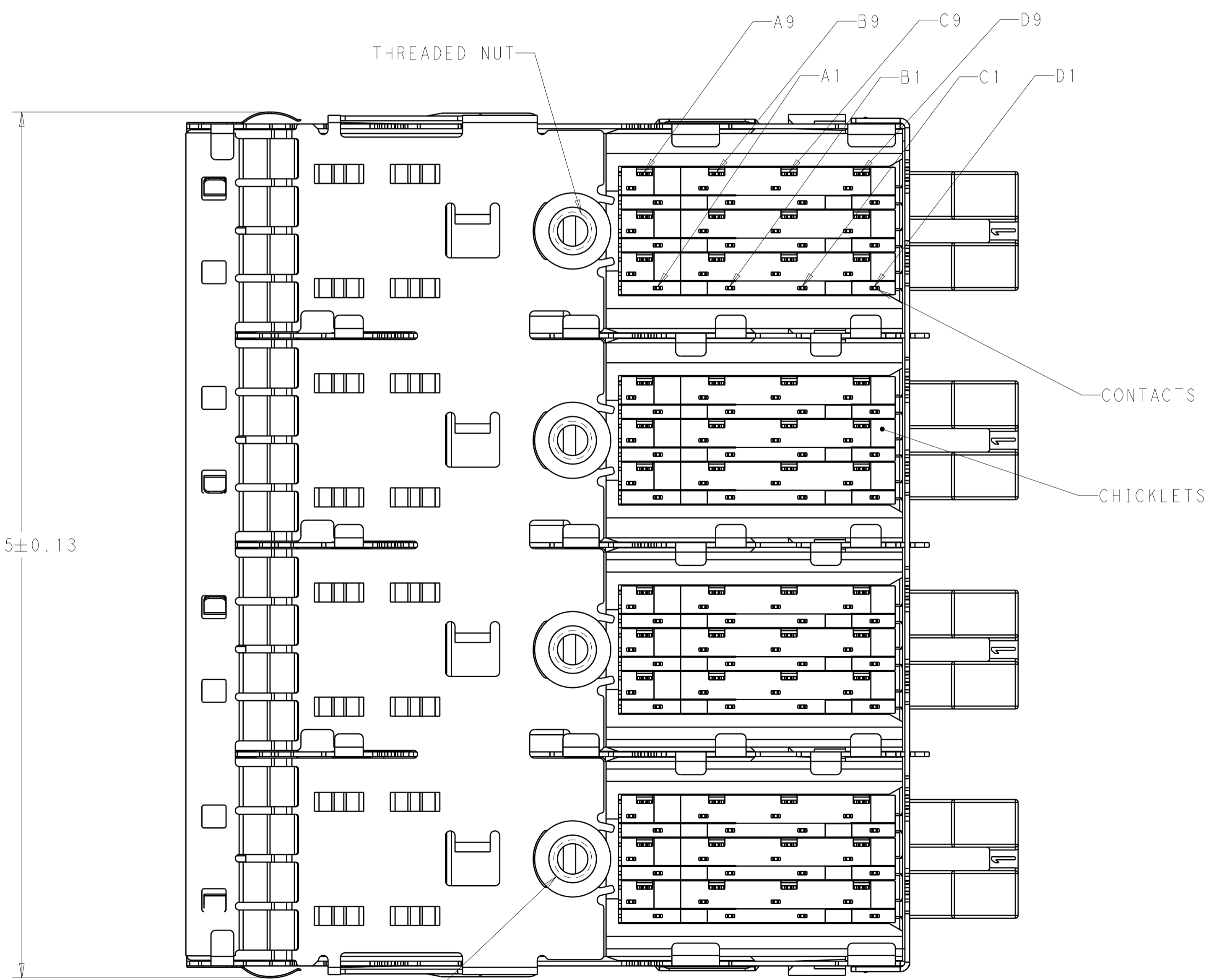
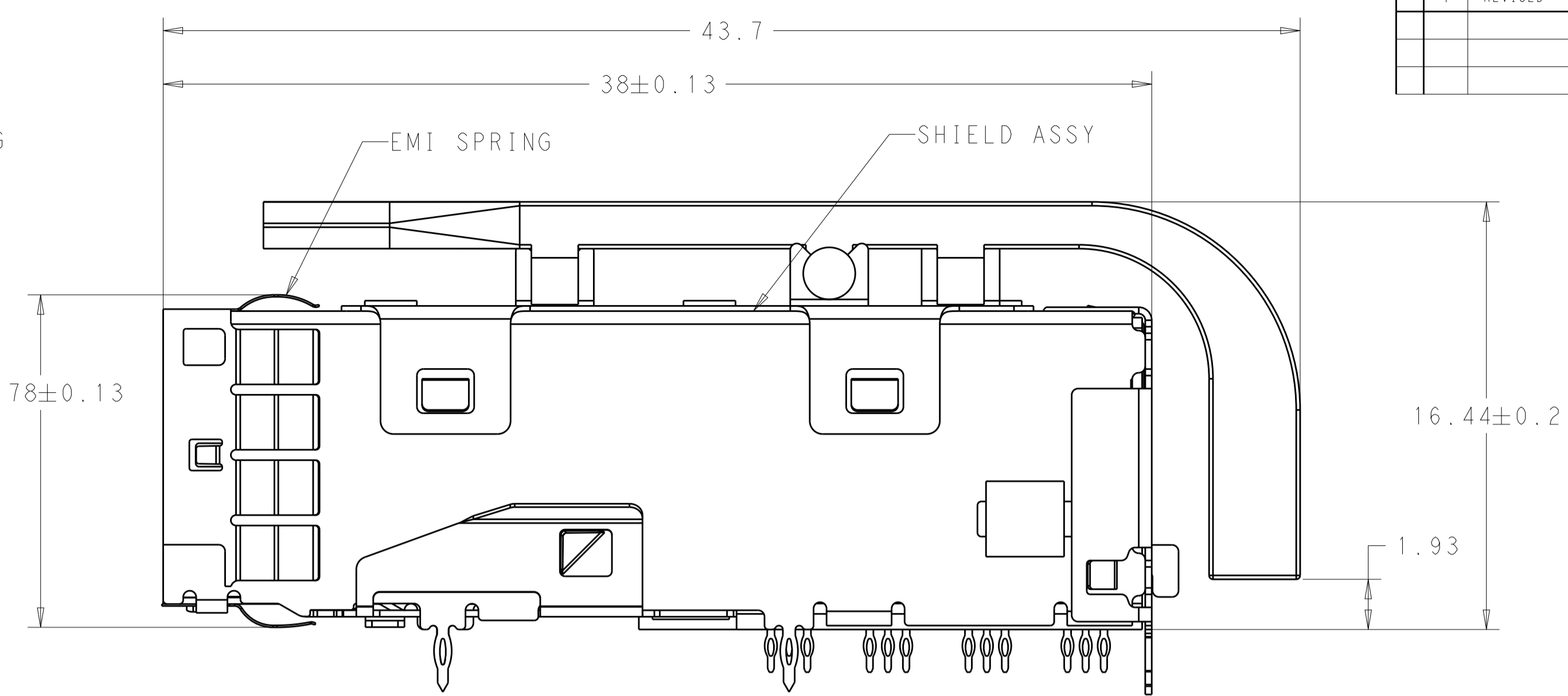
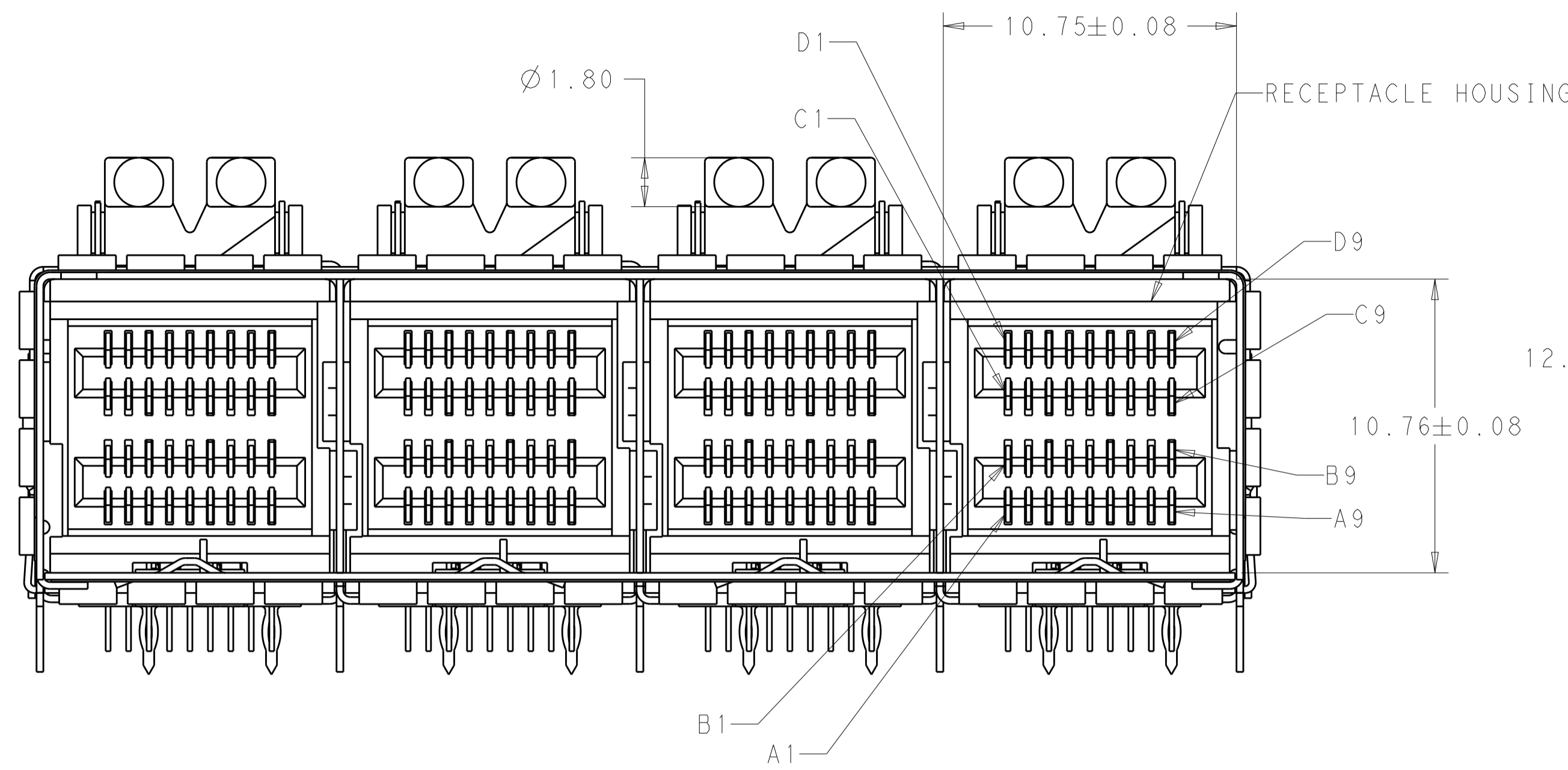
Tel: +86-755-8981 8866 Fax: +86-755-8427 6832

Email & Skype: info@chipsmall.com Web: www.chipsmall.com

Address: A1208, Overseas Decoration Building, #122 Zhenhua RD., Futian, Shenzhen, China



LOC		DIST		REVISIONS			
P	LTN	DESCRIPTION	DATE	DWN	APVD		
7		REVISED	21DEC2012	MEC	JS		

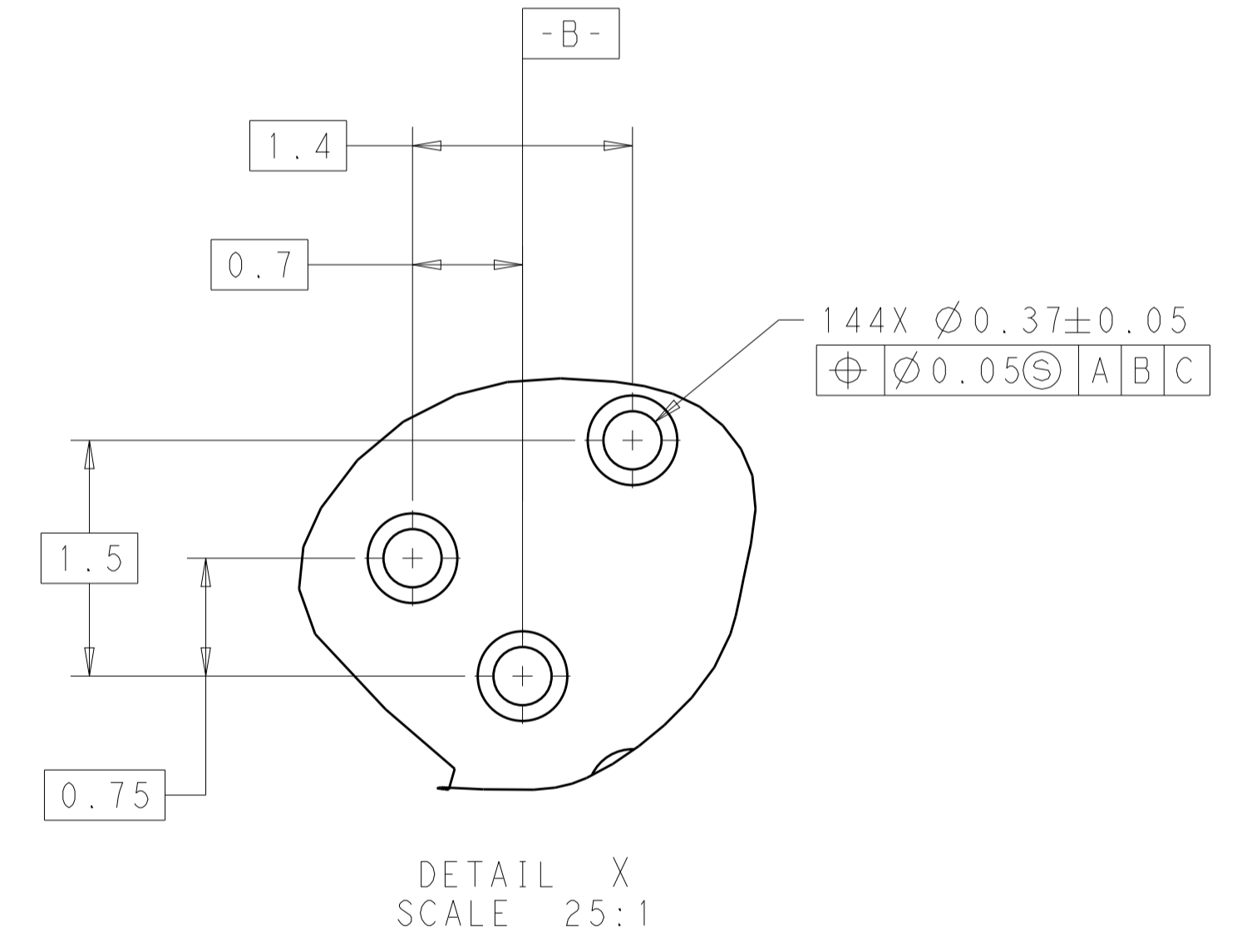
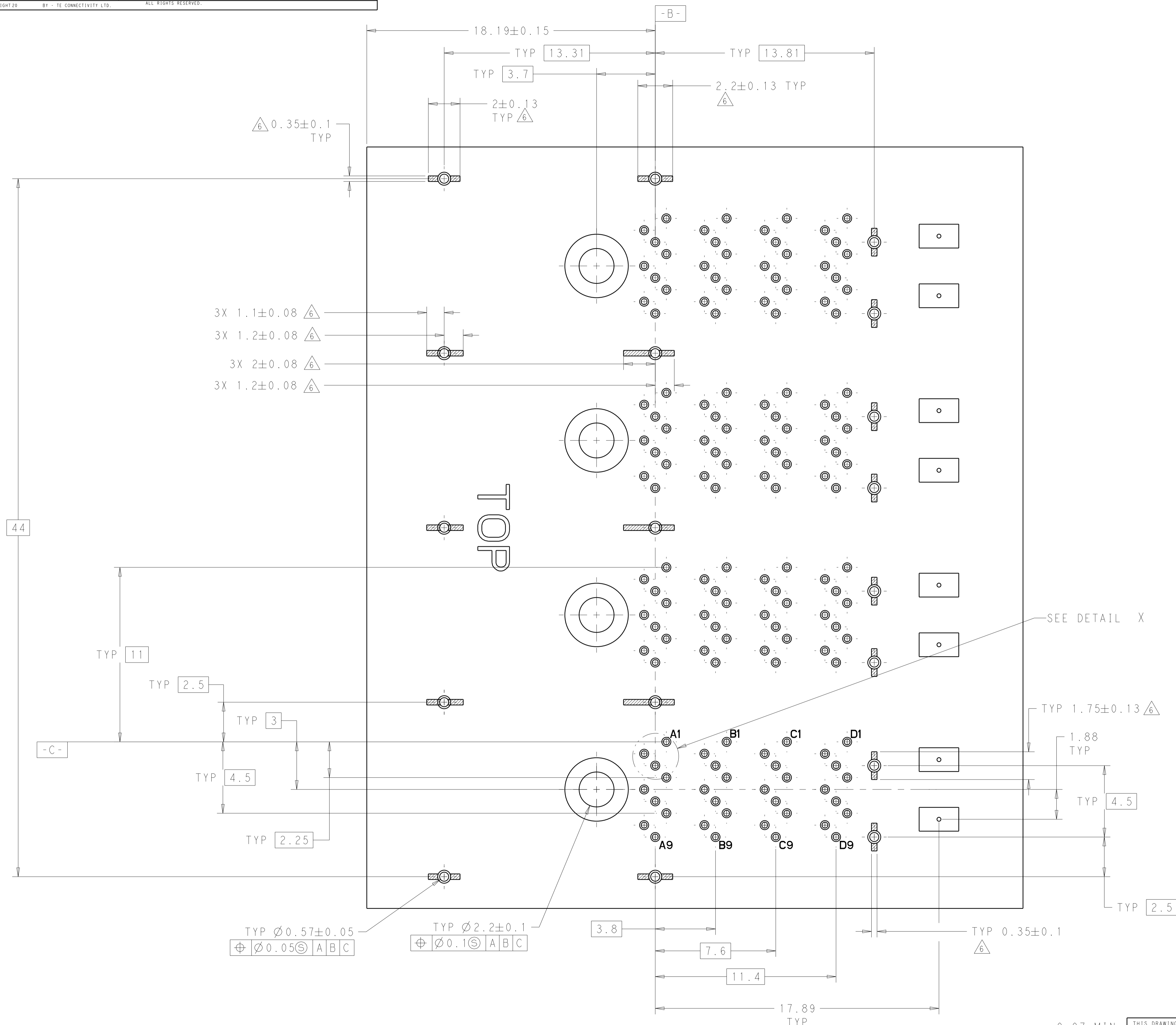


1. MATERIALS
 RECEPTACLE HOUSING: LCP, BLACK, UL94V-0 RATED
 SHIELD ASSY: NICKEL-SILVER COPPER ALLOY
 CONTACTS: COPPER ALLOY
 EMI SPRING: COPPER ALLOY
 THREADED NUT: BRASS
 CHICKLETS: LCP, BLACK, UL 94V-0 RATED
 LIGHTPIPE CLIP: STAINLESS STEEL
 LIGHTPIPE: POLYCARBONATE
2. FINISH
 EMI SPRING: TIN PLATE OVER NICKEL PLATE
 NON-PLATED EDGES PERMISSABLE
 THREADED NUT: NICKEL PLATE
3. CONTACT FINISH: CONFORMS TO THE REQUIREMENTS OF TE PRODUCT SPECIFICATION, 108-2462. BASED ON EIA/ECA-364-1000.01A. (CONTROLLED ENVIRONMENT APPLICATIONS) ON MATING END. TIN PLATED ON PCB TAIL
4. THREAD LENGTH OF FASTENER = PCB THICKNESS+1.45 MAX
5. THIS PRODUCT HAS NOT COMPLETED VALIDATION/QUALIFICATION TESTING
6. RECOMMENDED TRACE KEEP OUT ZONE

2180736-1
 PART NUMBER

THIS DRAWING IS A CONTROLLED DOCUMENT.		DWN: P. KERLIN 25MAY2011	
DIMENSIONS: mm		CHK: J. SECHRIST 25MAY2011	
TOLERANCES UNLESS OTHERWISE SPECIFIED:		APVD: -	NAME: RECEPTACLE ASSEMBLY, MINI-SAS HD, 4X W/ LIGHT PIPES
0 PLC	±	PRODUCT SPEC	SIZE: CAGE CODE DRAWING NO
1 PLC	±0.25	108-2462	RESTRICTED TO
2 PLC	±0.13	APPLICATION SPEC	A100779C=2180736
3 PLC	±	114-13316	SCALE: 6:1 SHEET 1 OF 3 REV 7
4 PLC	±	WEIGHT	
ANGLES	±	CUSTOMER DRAWING	
MATERIAL	FINISH		

LOC		DIST		REVISIONS			
P	LTN	DESCRIPTION	DATE	DMN	APVD		
-	-	SEE SHEET 1	-	-	-		



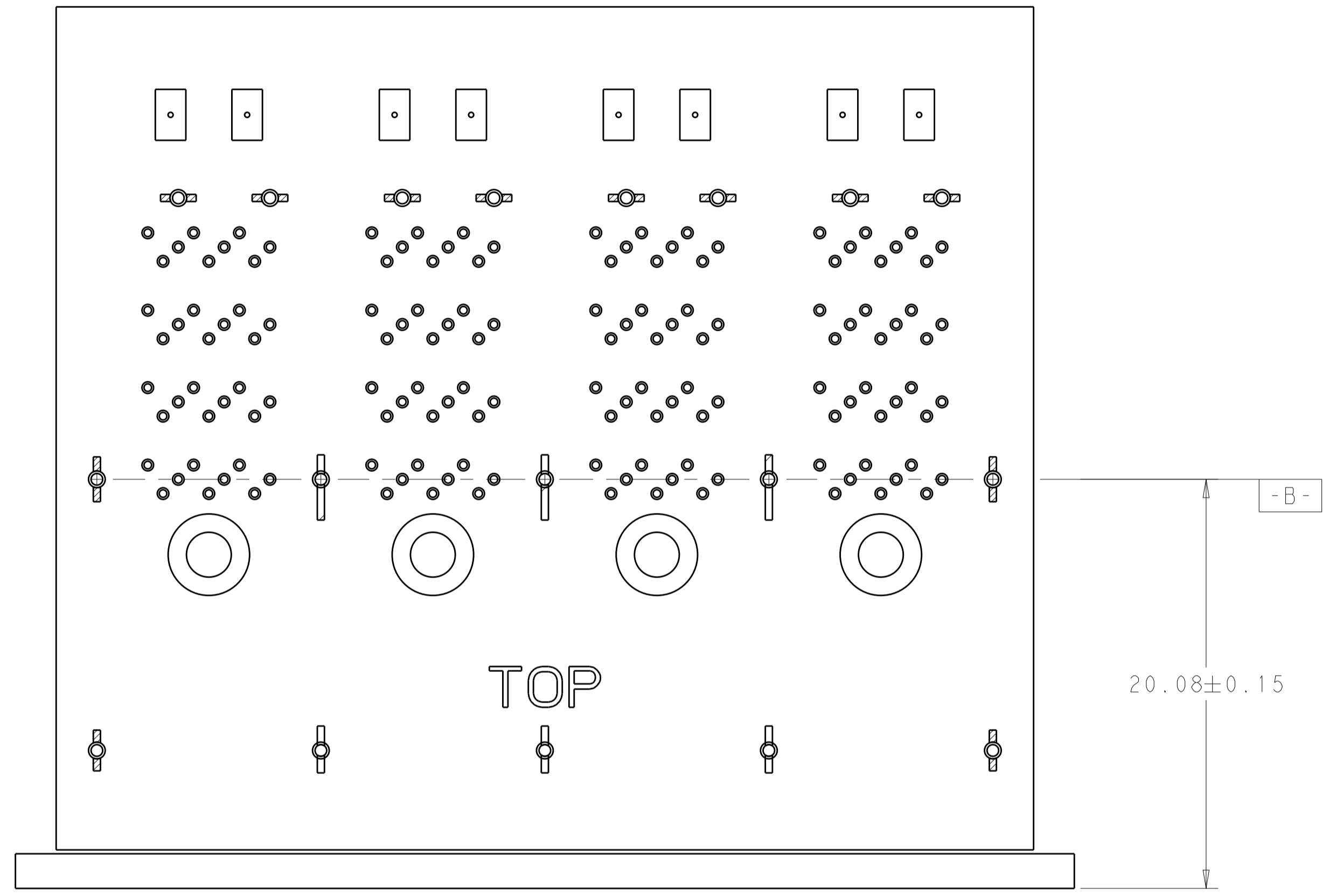
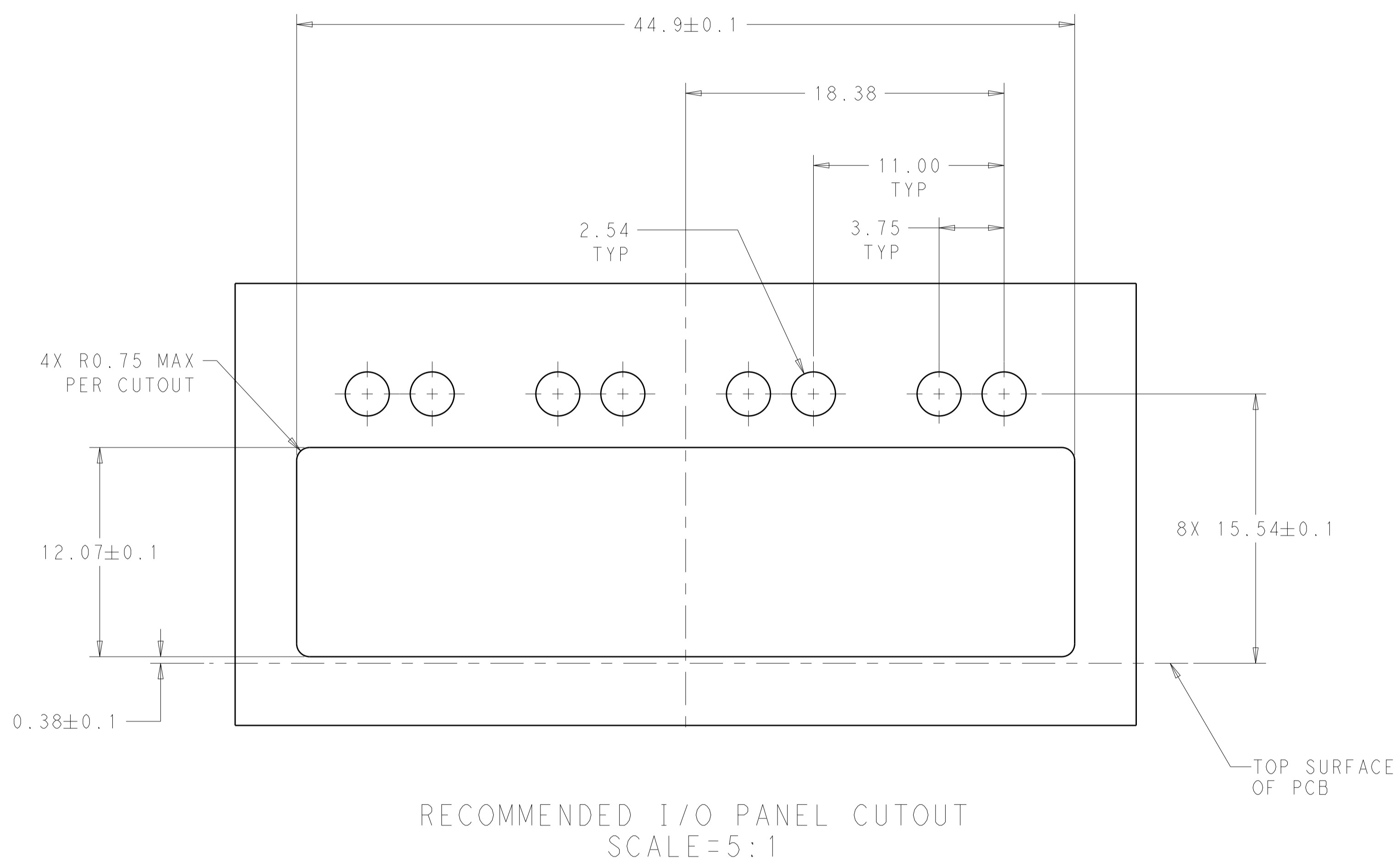
TYP $\varnothing 0.57 \pm 0.05$
 $\oplus \varnothing 0.05 \text{ (S) A B C}$

TYP $\varnothing 2.2 \pm 0.1$
 $\oplus \varnothing 0.1 \text{ (S) A B C}$

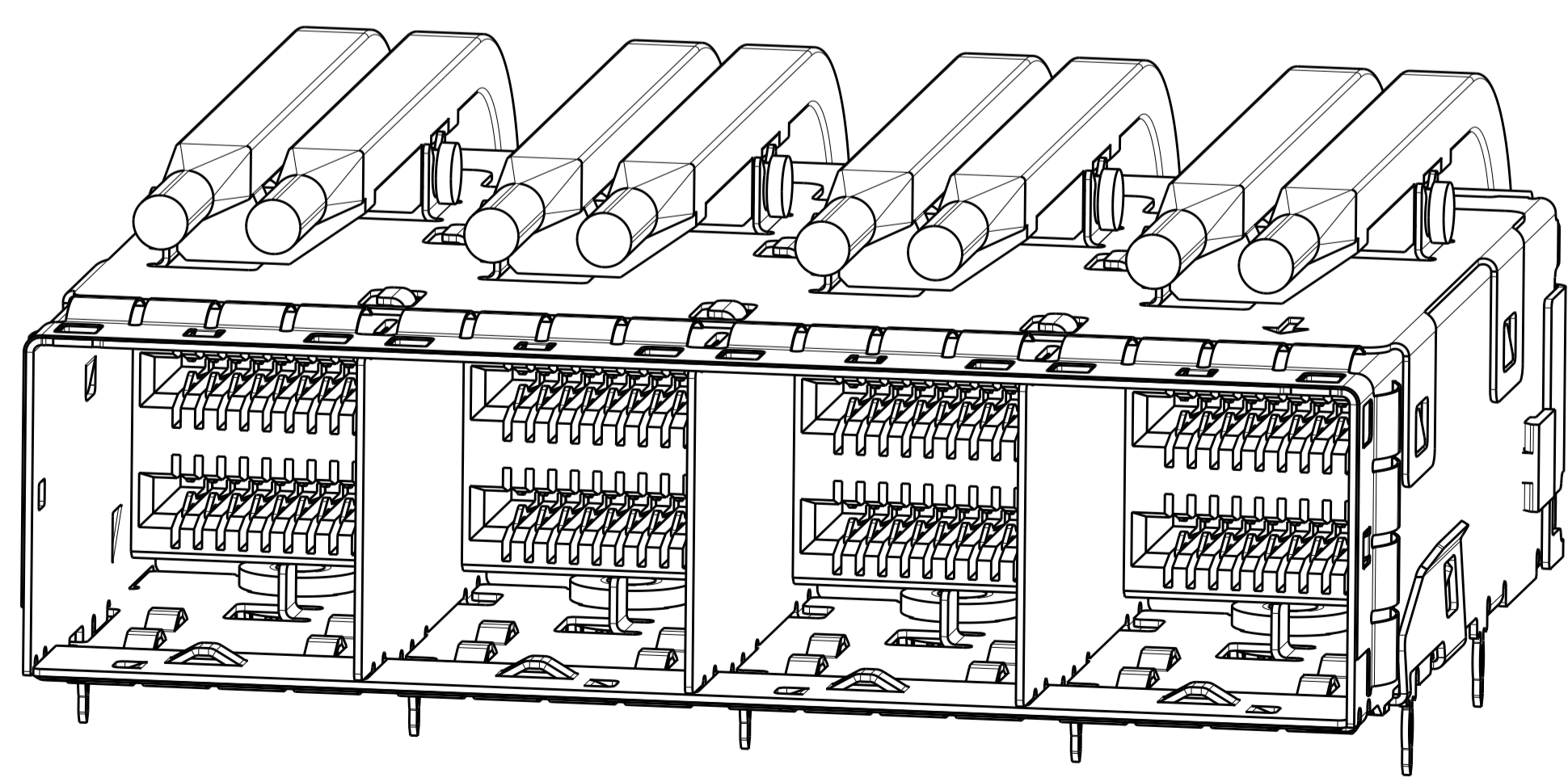
RECOMMENDED PCB LAYOUT

THIS DRAWING IS A CONTROLLED DOCUMENT.		DMN P. KERLIN 25MAY2011	TE Connectivity
DIMENSIONS: mm		CHK J. SECHRIST 25MAY2011	
TOLERANCES UNLESS OTHERWISE SPECIFIED:		APVD	NAME
0 PLC ±		PRODUCT SPEC	RECEPTACLE ASSEMBLY, MINI-SAS HD, 4X W/ LIGHT PIPES
1 PLC ±0.25		108-2462	SIZE CAGE CODE DRAWING NO
2 PLC ±0.13		APPLICATION SPEC	A100779C=2180736
3 PLC ±		114-13316	RESTRICTED TO
4 PLC ±		WEIGHT	
ANGLES ±		CUSTOMER DRAWING	SCALE 6:1 SHEET 2 OF 3 REV 7
MATERIAL FINISH			

LOC	DIST	REVISIONS			
P	LTN	DESCRIPTION	DATE	DWN	APVD
-	-	SEE SHEET 1	-	-	-



PANEL/PCB ASSEMBLY
 SCALE 5:1



THIS DRAWING IS A CONTROLLED DOCUMENT.		DWN P. KERLIN CHK J. SECHRIST	25MAY2011 25MAY2011	TE Connectivity NAME RECEPTACLE ASSEMBLY, MINI-SAS HD, 4X W/ LIGHT PIPES
DIMENSIONS:	TOLERANCES UNLESS OTHERWISE SPECIFIED:	APVD	NAME	
mm	0 PLC ± 1 PLC ±0.25 2 PLC ±0.13 3 PLC ± 4 PLC ±	PRODUCT SPEC	108-2462	
	ANGLES ±	APPLICATION SPEC	114-13316	
MATERIAL	FINISH	WEIGHT	114-13316	
CUSTOMER DRAWING		SCALE	6:1	
SIZE		CAGE CODE	DRAWING NO	
A100779		C=2180736	RESTRICTED TO	
SHEET		3	OF 3	
REV		7		