



Chipsmall Limited consists of a professional team with an average of over 10 year of expertise in the distribution of electronic components. Based in Hongkong, we have already established firm and mutual-benefit business relationships with customers from,Europe,America and south Asia,supplying obsolete and hard-to-find components to meet their specific needs.

With the principle of "Quality Parts,Customers Priority,Honest Operation,and Considerate Service",our business mainly focus on the distribution of electronic components. Line cards we deal with include Microchip,ALPS,ROHM,Xilinx,Pulse,ON,Everlight and Freescale. Main products comprise IC,Modules,Potentiometer,IC Socket,Relay,Connector.Our parts cover such applications as commercial,industrial, and automotives areas.

We are looking forward to setting up business relationship with you and hope to provide you with the best service and solution. Let us make a better world for our industry!



## Contact us

Tel: +86-755-8981 8866 Fax: +86-755-8427 6832

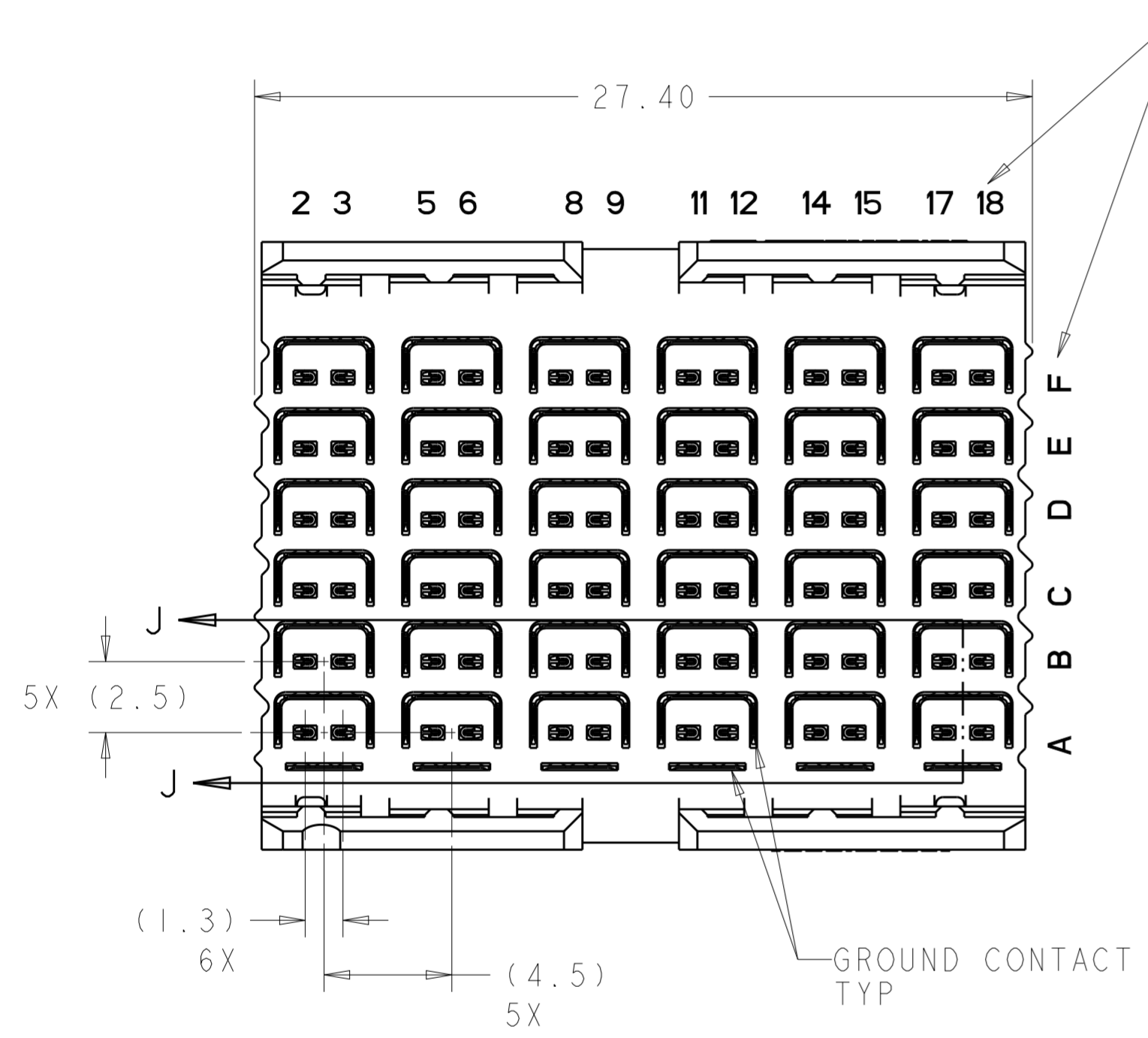
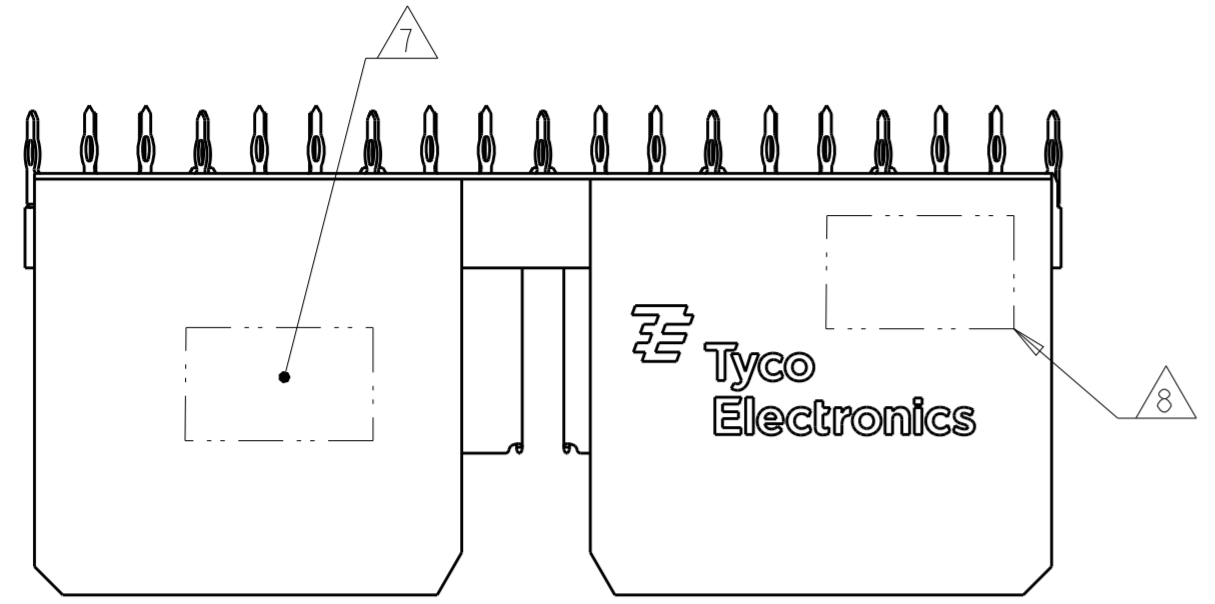
Email & Skype: info@chipsmall.com Web: www.chipsmall.com

Address: A1208, Overseas Decoration Building, #122 Zhenhua RD., Futian, Shenzhen, China

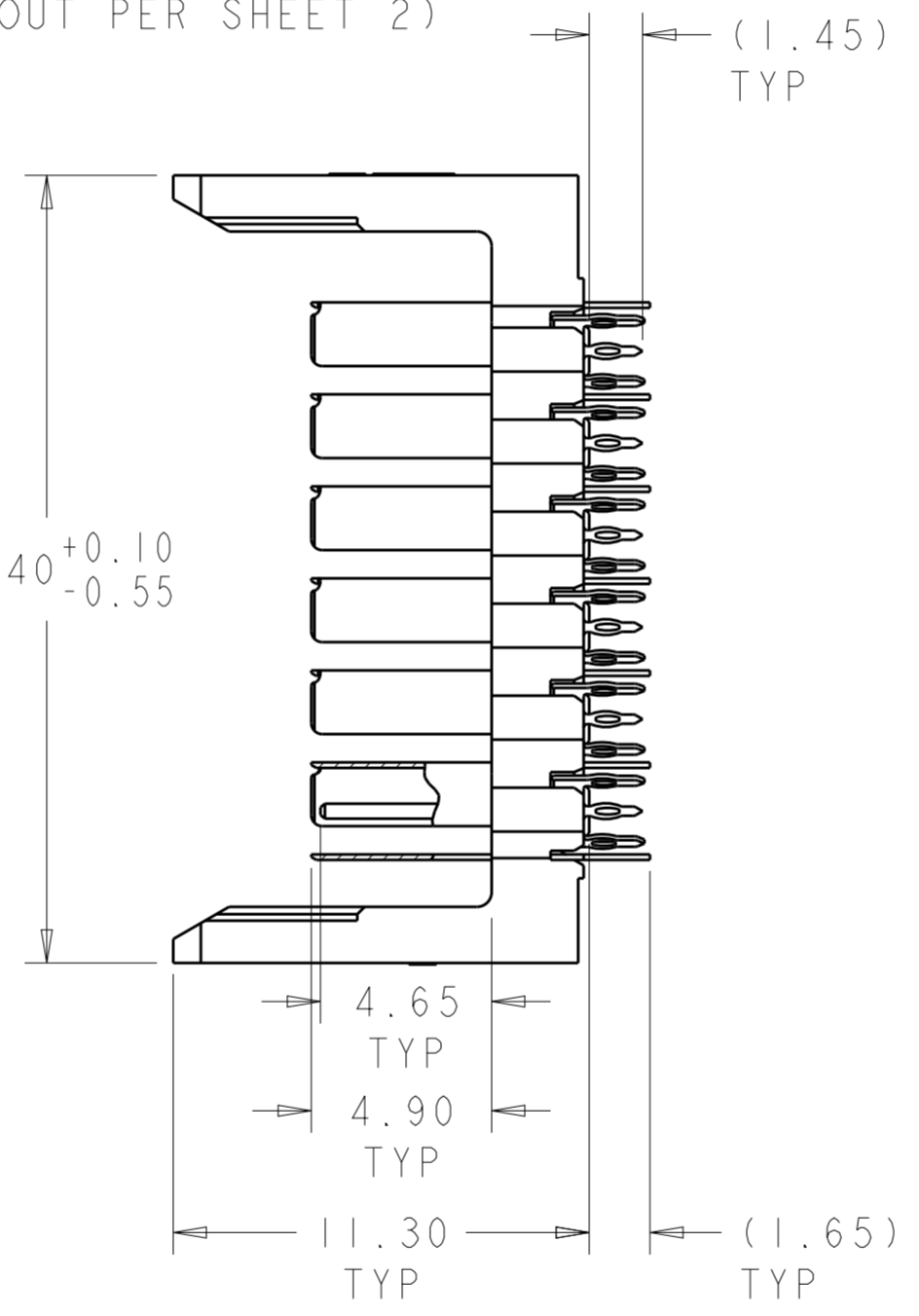


THIS DRAWING IS UNPUBLISHED. RELEASED FOR PUBLICATION 20  
 © COPYRIGHT 20 TE CONNECTIVITY ALL RIGHTS RESERVED.

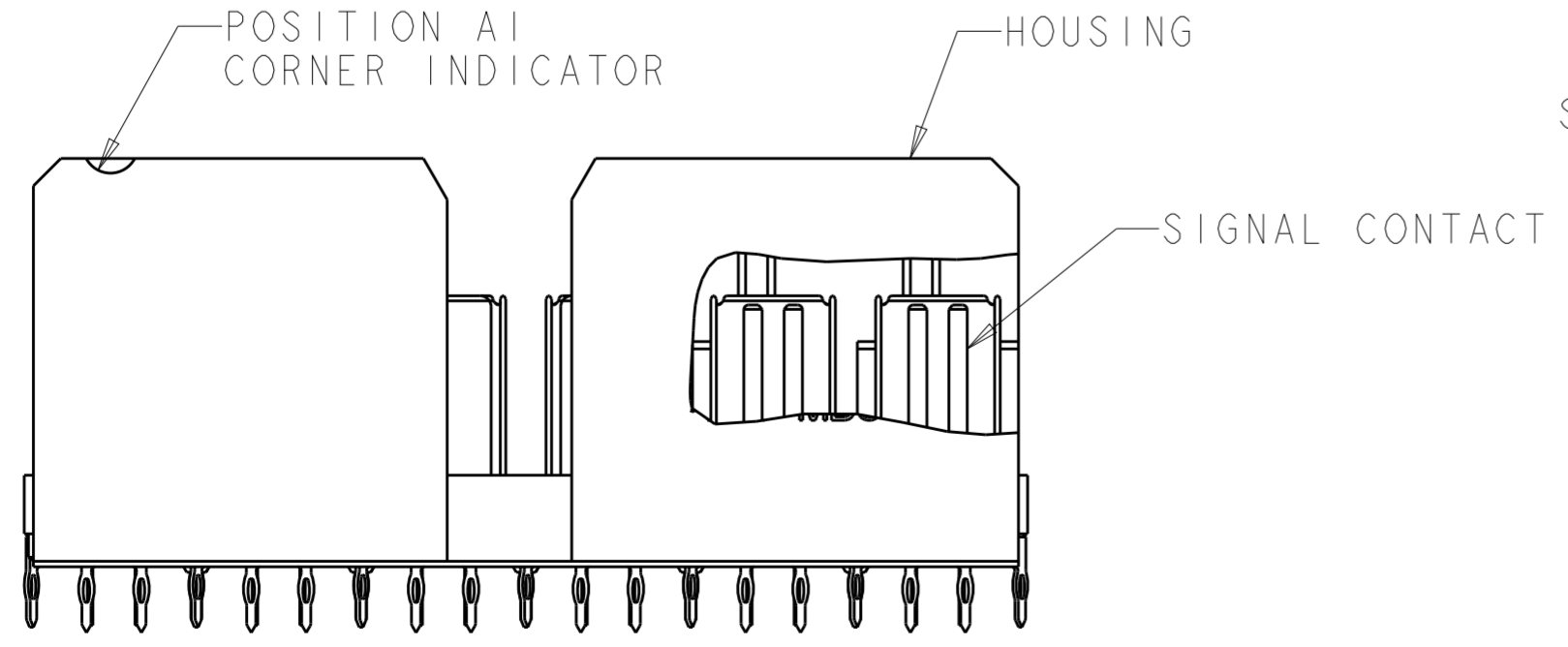
LOC	DIST	REVISIONS					
GP	00	P	LTR	DESCRIPTION	DATE	DWN	APVD
		A		INITIAL RELEASE	28OCT2013	J.G	C.Z
		B		UPDATED FHS ON NOTE 4	14NOV2013	J.G	C.Z



COLUMN NUMBER AND ROW LETTER (LOCATION SAME AS PCB LAYOUT PER SHEET 2)



SECTION J-J



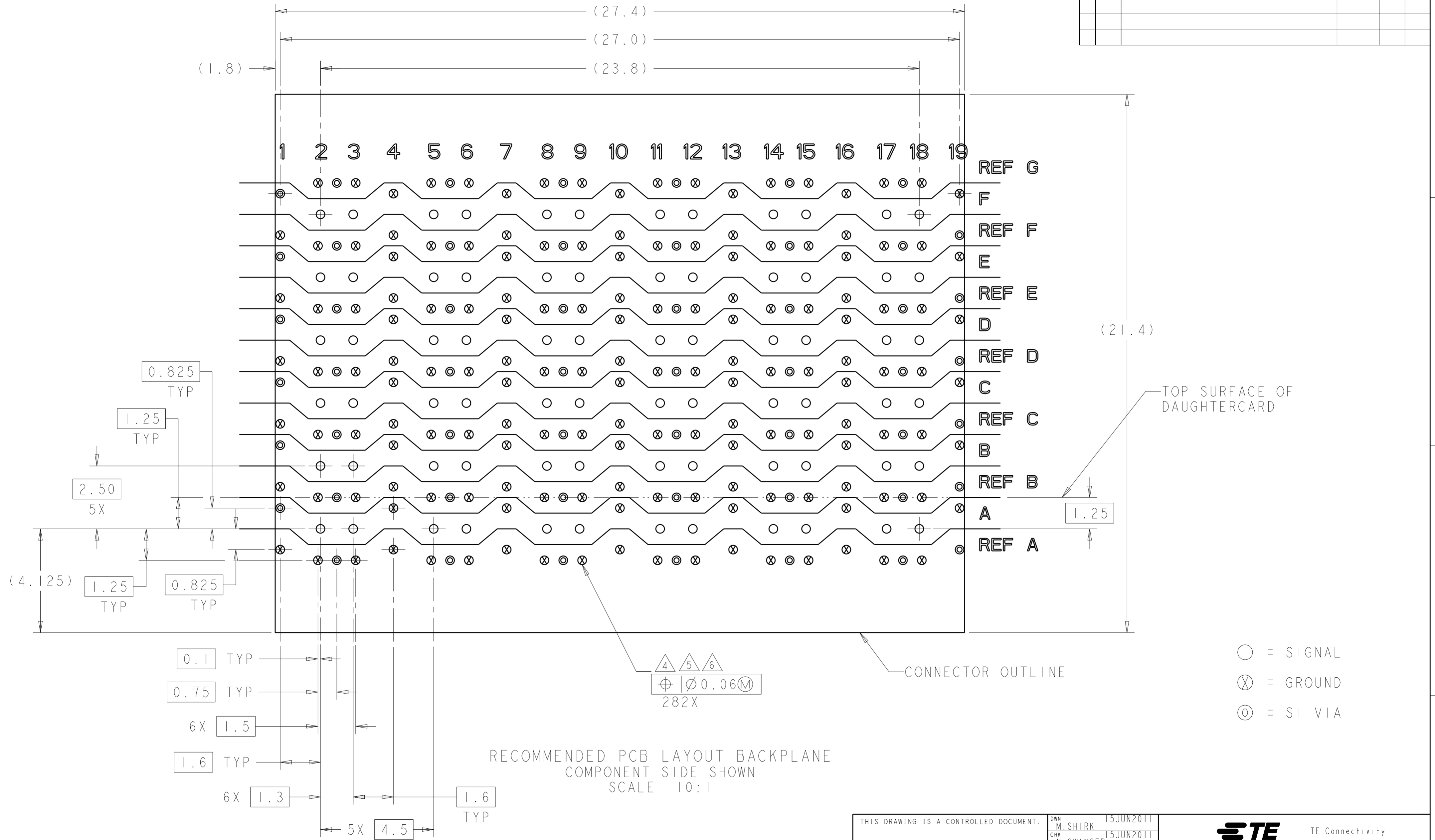
- ① HOUSING: THERMOPLASTIC, UL 94V-0, BLACK. CONTACT: COPPER ALLOY.
- ② CONFORMS TO REQUIREMENTS OF TE PRODUCT SPEC 108-2413, BASED ON TELECORDIA GR-1217-CORE FOR SYSTEM QUALITY LEVEL III APPLICATIONS IN CONTROLLED ENVIRONMENTS (CENTRAL OFFICE).
- ③ CONSULT APPLICATION SPECIFICATION 114-13301.
- ④ PLATED THRU HOLE REQUIREMENTS:  
 FINISHED HOLE =  $\varnothing 0.344 \pm 0.046$ mm  
 DRILLED HOLE BEFORE PLATING =  $\varnothing 0.420 \sim 0.435$ mm  
 COPPER THICKNESS = 0.042mm REF
- ⑤ PLATED THRU HOLE DIMENSIONS APPLY TO 1.00mm DEPTH FROM MOUNT SIDE OF BOARD.
- ⑥ HOLE POSITION TOLERANCE APPLIES WITHIN PATTERN FOR CONNECTOR PATTERN TO CONNECTOR PATTERN, A 0.12(M) POSITION TOLERANCE APPLIES.
- ⑦ CONNECTOR MARKED WITH PART NUMBER, DATE CODE, AND OPTIONAL MANUFACTURING LOCATION IDENTIFICATION CODE IN APPROXIMATE AREA SHOWN.
- ⑧ CONNECTOR MARKED WITH 2D BARCODE IN APPROXIMATE AREA SHOWN.

72	TIN	2180826-2
72	TIN-LEAD	2180826-1
SIGNAL CONTACT QTY REF	PRESS FIT TAIL PLATING	PART NO

THIS DRAWING IS A CONTROLLED DOCUMENT.		DWN M. SHIRK 15JUN2011	TE Connectivity
DIMENSIONS: mm		CHK N. SWANGER 15JUN2011	
TOLERANCES UNLESS OTHERWISE SPECIFIED:		APVD N. SWANGER 15JUN2011	
0 PLC ± 1 PLC ± 2 PLC ±0.10 3 PLC ± 4 PLC ± ANGLES ± FINISH ±		PRODUCT SPEC ② APPLICATION SPEC ③ WEIGHT - CUSTOMER DRAWING	
MATERIAL ① - SEE TABLE		NAME HEADER ASSEMBLY, 6 PAIR 6 COLUMN, 4.5mm PITCH, STRADA WHISPER	RESTRICTED TO
		SIZE A2 CAGE CODE 00779 DRAWING NO C-2180826	
		SCALE 5:1 SHEET 1 OF 2 REV B	

THIS DRAWING IS UNPUBLISHED. RELEASED FOR PUBLICATION 20  
 © COPYRIGHT 20 TE CONNECTIVITY ALL RIGHTS RESERVED.

LOC	DIST	REVISIONS					
GP	00	P	LTR	DESCRIPTION	DATE	DWN	APVD
		-		SEE SHEET 1			

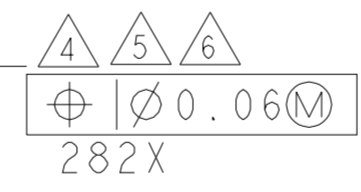


TOP SURFACE OF DAUGHTERCARD

CONNECTOR OUTLINE

- = SIGNAL
- ⊗ = GROUND
- ⊙ = SI VIA

RECOMMENDED PCB LAYOUT BACKPLANE  
 COMPONENT SIDE SHOWN  
 SCALE 10:1



THIS DRAWING IS A CONTROLLED DOCUMENT.		DWN M. SHIRK 15 JUN 2011	TE Connectivity
DIMENSIONS: mm		CHK N. SWANGER 15 JUN 2011	
TOLERANCES UNLESS OTHERWISE SPECIFIED:		APVD N. SWANGER 15 JUN 2011	
0 PLC ± 1 PLC ± 2 PLC ±0.10 3 PLC ± 4 PLC ± ANGLES ± FINISH ±		NAME HEADER ASSEMBLY, 6 PAIR 6 COLUMN, 4.5mm PITCH, STRADA WHISPER	RESTRICTED TO
MATERIAL - SEE TABLE		WEIGHT -	SIZE A200779
CUSTOMER DRAWING		SCALE 5:1	DRAWING NO C-2180826
		SHEET 2 OF 2	REV B