



Chipsmall Limited consists of a professional team with an average of over 10 year of expertise in the distribution of electronic components. Based in Hongkong, we have already established firm and mutual-benefit business relationships with customers from,Europe,America and south Asia,supplying obsolete and hard-to-find components to meet their specific needs.

With the principle of “Quality Parts,Customers Priority,Honest Operation,and Considerate Service”,our business mainly focus on the distribution of electronic components. Line cards we deal with include Microchip,ALPS,ROHM,Xilinx,Pulse,ON,Everlight and Freescale. Main products comprise IC,Modules,Potentiometer,IC Socket,Relay,Connector.Our parts cover such applications as commercial,industrial, and automotives areas.

We are looking forward to setting up business relationship with you and hope to provide you with the best service and solution. Let us make a better world for our industry!



Contact us

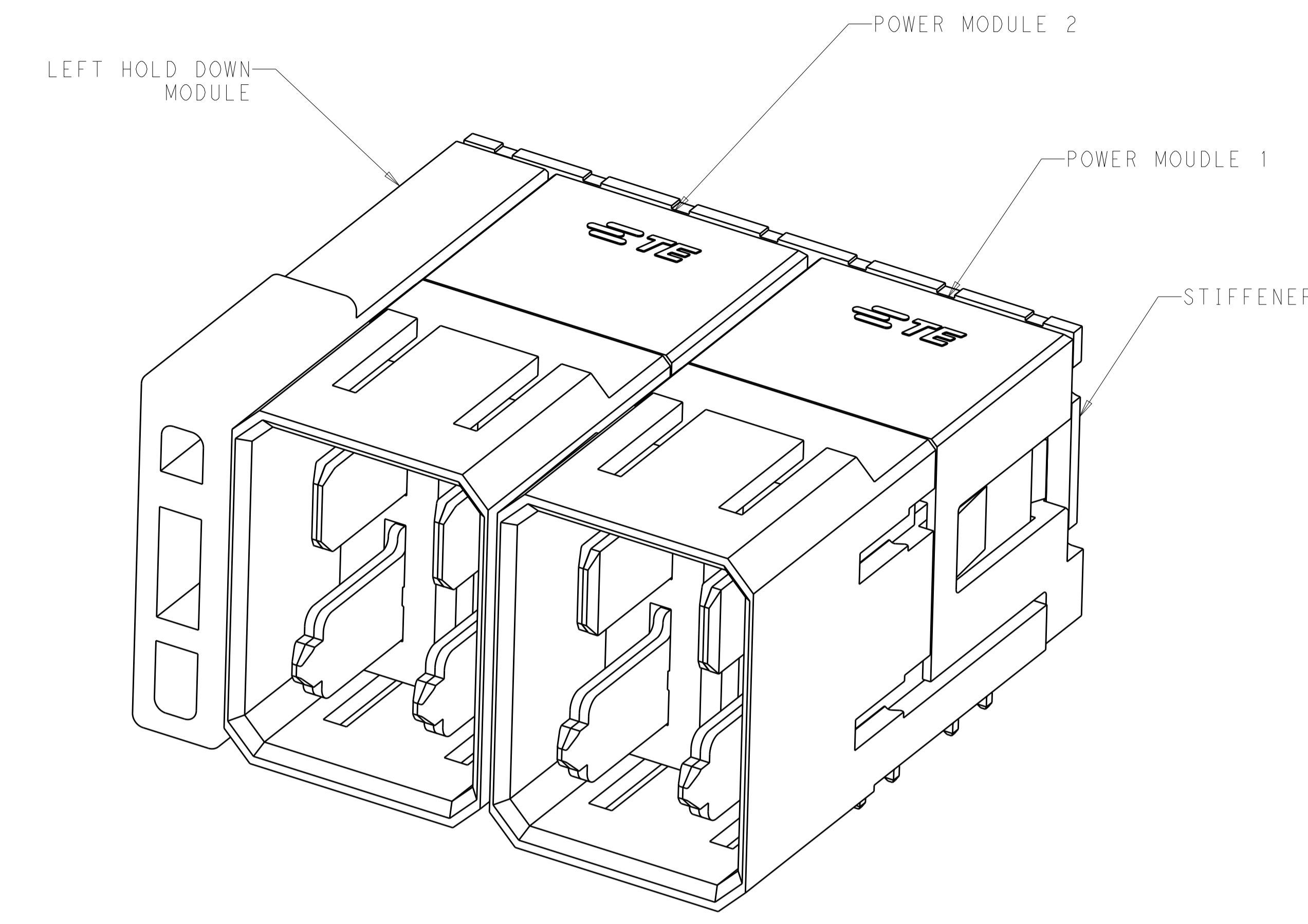
Tel: +86-755-8981 8866 Fax: +86-755-8427 6832

Email & Skype: info@chipsmall.com Web: www.chipsmall.com

Address: A1208, Overseas Decoration Building, #122 Zhenhua RD., Futian, Shenzhen, China



LOC	DIST	REVISONS					
GP	00	P	LTN	DESCRIPTION	DATE	DWN	APVD
		A		INITIAL RELEASE	25MAY2012	LW	AC
		A1		REV PER ECR-12-010636	19JUN2012	LW	AC
		A2		REV PER ECR-13-000356	09JAN2013	LW	AC
		B		PER ECR-17-002092	16FEB2017	DS	SY



HEADER WITH LEFT HOLD DOWN MODULE

STATUS	PACKAGING	PLATING TYP	P4	P3	P2	P1	DIM A	NUMBER OF POWER MODULE	PART NUMBER
OBSOLETE			6.90	5.70	6.90	5.70	26.40	2X	7-2180850-0
OBSOLETE			6.90	5.70	5.70	6.90	26.40	2X	6-2180850-9
OBSOLETE			6.90	5.70	5.70	5.70	26.40	2X	6-2180850-8
OBSOLETE			6.90	5.70	6.90	6.90	26.40	2X	6-2180850-7
OBSOLETE			5.70	6.90	6.90	5.70	26.40	2X	6-2180850-6
OBSOLETE			5.70	6.90	5.70	6.90	26.40	2X	6-2180850-5
OBSOLETE			5.70	6.90	5.70	5.70	26.40	2X	6-2180850-4
OBSOLETE			5.70	6.90	6.90	6.90	26.40	2X	6-2180850-3
OBSOLETE			5.70	5.70	6.90	5.70	26.40	2X	6-2180850-2
OBSOLETE	TRAY	TIN-LEAD	5.70	5.70	5.70	6.90	26.40	2X	6-2180850-1
OBSOLETE			5.70	5.70	5.70	5.70	26.40	2X	6-2180850-0
OBSOLETE			5.70	5.70	6.90	6.90	26.40	2X	5-2180850-9
OBSOLETE			6.90	6.90	6.90	5.70	26.40	2X	5-2180850-8
OBSOLETE			6.90	6.90	5.70	6.90	26.40	2X	5-2180850-7
OBSOLETE			6.90	6.90	5.70	5.70	26.40	2X	5-2180850-6
OBSOLETE			6.90	6.90	6.90	6.90	26.40	2X	5-2180850-5
OBSOLETE			N/A	N/A	6.90	5.70	15.00	1X	5-2180850-4
OBSOLETE			N/A	N/A	5.70	6.90	15.00	1X	5-2180850-3
OBSOLETE			N/A	N/A	5.70	5.70	15.00	1X	5-2180850-2
OBSOLETE			N/A	N/A	6.90	6.90	15.00	1X	5-2180850-1
ACTIVE			6.90	5.70	6.90	5.70	26.40	2X	2-2180850-0
ACTIVE			6.90	5.70	5.70	6.90	26.40	2X	1-2180850-9
ACTIVE			6.90	5.70	5.70	5.70	26.40	2X	1-2180850-8
ACTIVE			6.90	5.70	6.90	6.90	26.40	2X	1-2180850-7
ACTIVE			5.70	6.90	6.90	5.70	26.40	2X	1-2180850-6
ACTIVE			5.70	6.90	5.70	6.90	26.40	2X	1-2180850-5
ACTIVE			5.70	6.90	5.70	5.70	26.40	2X	1-2180850-4
ACTIVE			5.70	6.90	6.90	6.90	26.40	2X	1-2180850-3
ACTIVE			5.70	5.70	6.90	5.70	26.40	2X	1-2180850-2
ACTIVE			5.70	5.70	5.70	6.90	26.40	2X	1-2180850-1
ACTIVE			5.70	5.70	5.70	5.70	26.40	2X	1-2180850-0
ACTIVE			5.70	5.70	6.90	6.90	26.40	2X	2180850-9
ACTIVE			6.90	6.90	6.90	5.70	26.40	2X	2180850-8
ACTIVE			6.90	6.90	5.70	6.90	26.40	2X	2180850-7
ACTIVE			6.90	6.90	5.70	5.70	26.40	2X	2180850-6
ACTIVE			6.90	6.90	6.90	6.90	26.40	2X	2180850-5
ACTIVE			N/A	N/A	6.90	5.70	15.00	1X	2180850-4
ACTIVE			N/A	N/A	5.70	6.90	15.00	1X	2180850-3
ACTIVE			N/A	N/A	5.70	5.70	15.00	1X	2180850-2
ACTIVE			N/A	N/A	6.90	6.90	15.00	1X	2180850-1

- NOTES:
- △ MATERIALS:
HOUSING:HIGH TEMP. THERMOPLASTIC GLASS/MINERAL FILLED UL94V-0
TERMINAL:COPPER ALLOY
 - △ FINISH:
TIN OPTION-0.76um MIN GOLD AT CONTACT AREA AND
1.27um MIN NICKEL UNDERPLATED OVER ALL
2.54um TIN AT SOLDER TAIL AREA
TIN-LEAD OPTION-0.76um MIN GOLD AT CONTACT AREA AND
1.27um MIN NICKEL UNDERPLATED OVER ALL
2.54um TIN-LEAD AT SOLDER TAIL AREA
 - △ REFER TO TE'S PRODUCT SPECIFICATION:108-2473
FOR PLATED THROUGH-HOLE SPECIFICATION AND TORQUE FORCE
 - 4 CONNECTOR WERE PACKED BY TRAY
REFER TO TE'S PACKAGING SPECIFICATION:107-97873
 - 5 MATED WITH *-2169806-* OR *-2169853-*
 - △ LASER MARK PART NUMBER AND DATE CODE (YYWWDS)
CAN BE AT THE OPPOSITE SIDE
 - △ ADD 11.40MM FOR EACH ADDITIONAL MODULE
 - 8. REFER TO DOCUMENT NUMBER:2169802 FOR INDIVIDUAL
MODULE COMPONENT INFORMATION
 - △ FIRST POWER MODULE(1#) STARTS FROM THE RIGHT
 - △ DIMENSION P1&P2 FOR POWER MODULE 1, P3&P4 FOR POWER MODULE 2
 - △ COMPONENT STAY AWAY ZONE FROM CONNECTOR
 - △ ALL PARTS ARE SHIPPED WITH A 2-32 AB TYPE SELF-TAPPING
SCREW P/N:2057509-2

THIS DRAWING IS A CONTROLLED DOCUMENT. DWN: LERRY WANG 13FEB2012
CHK: SUNY ZHAO 13FEB2012
APVD: SUNY ZHAO 13FEB2012

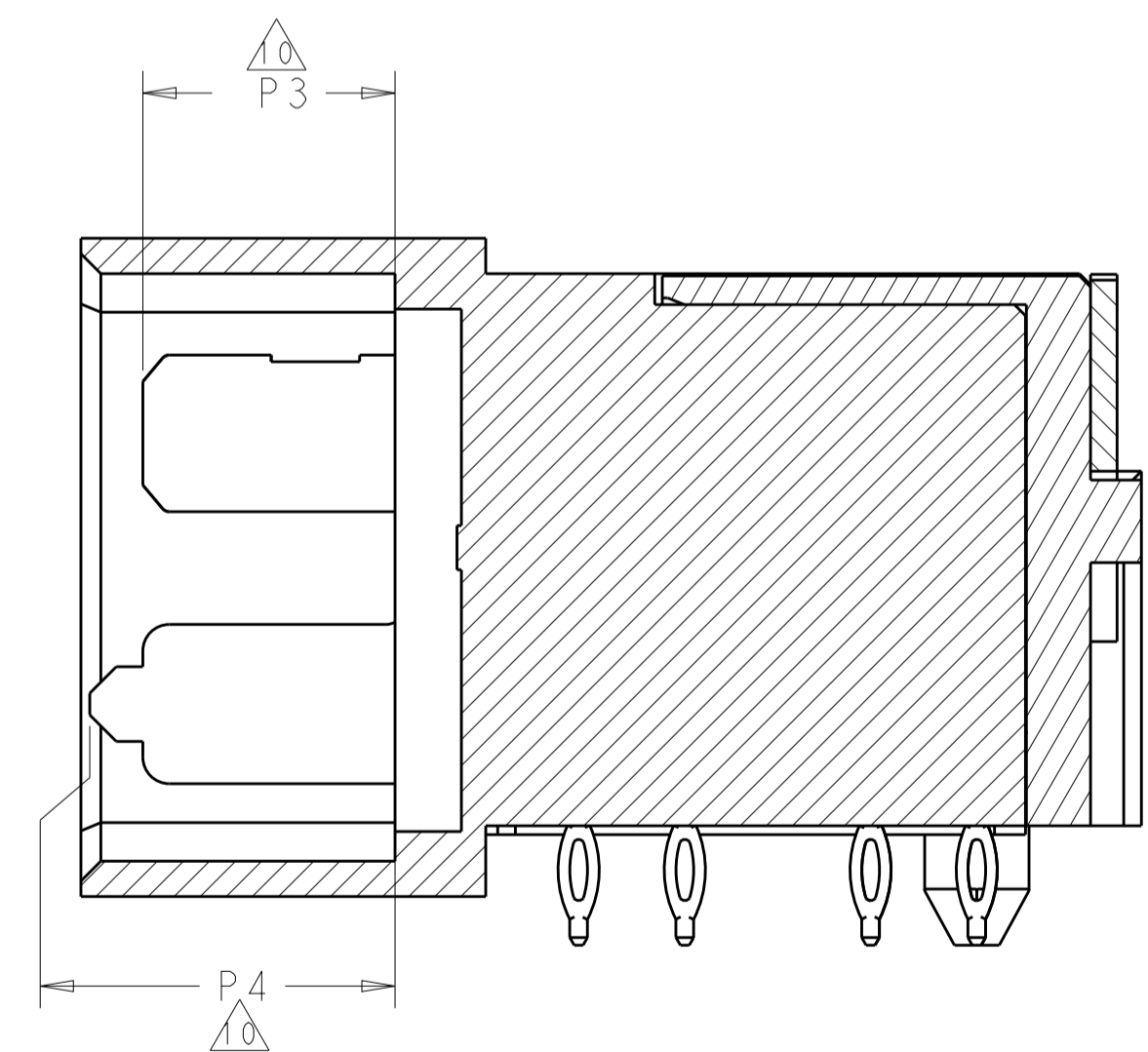
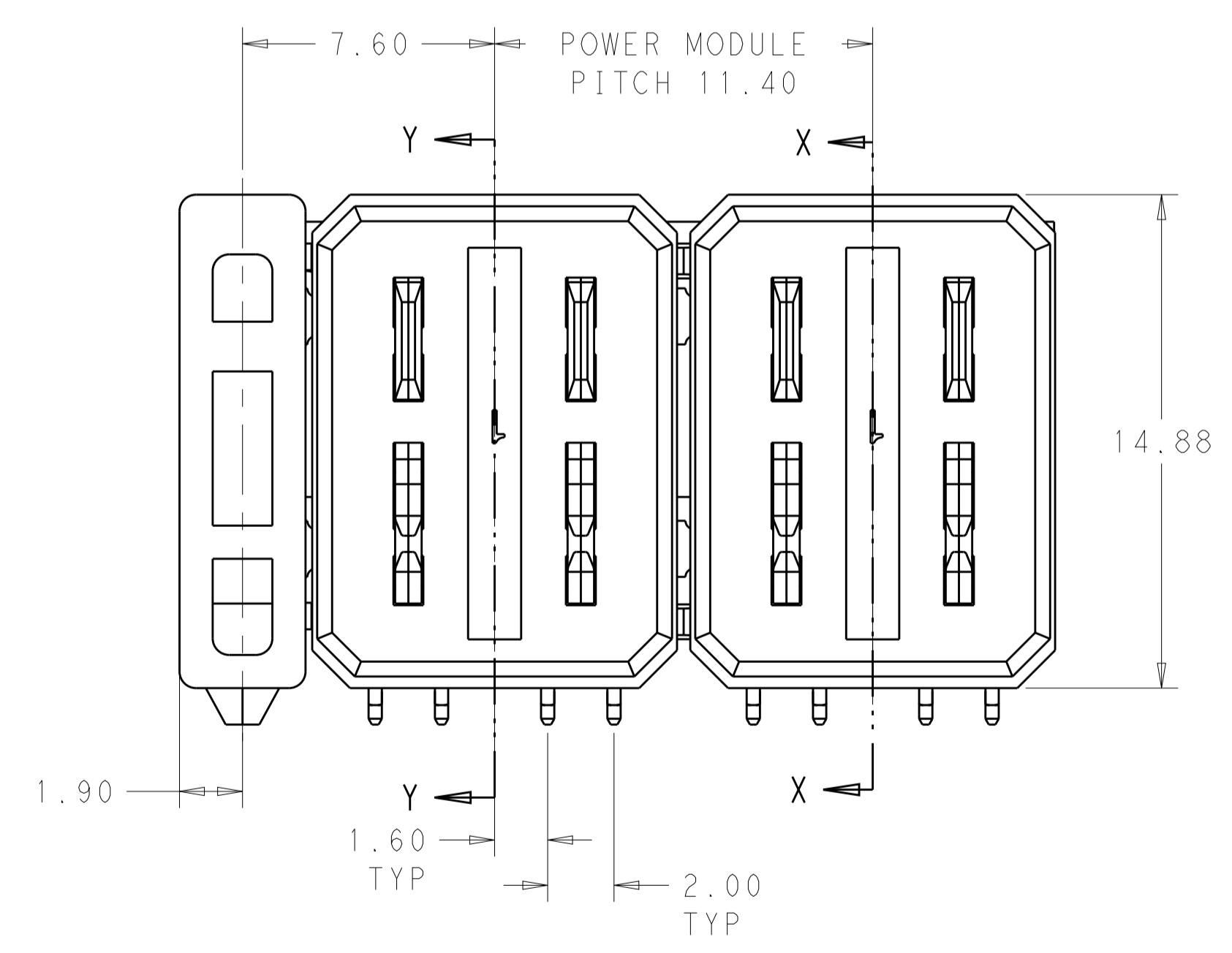
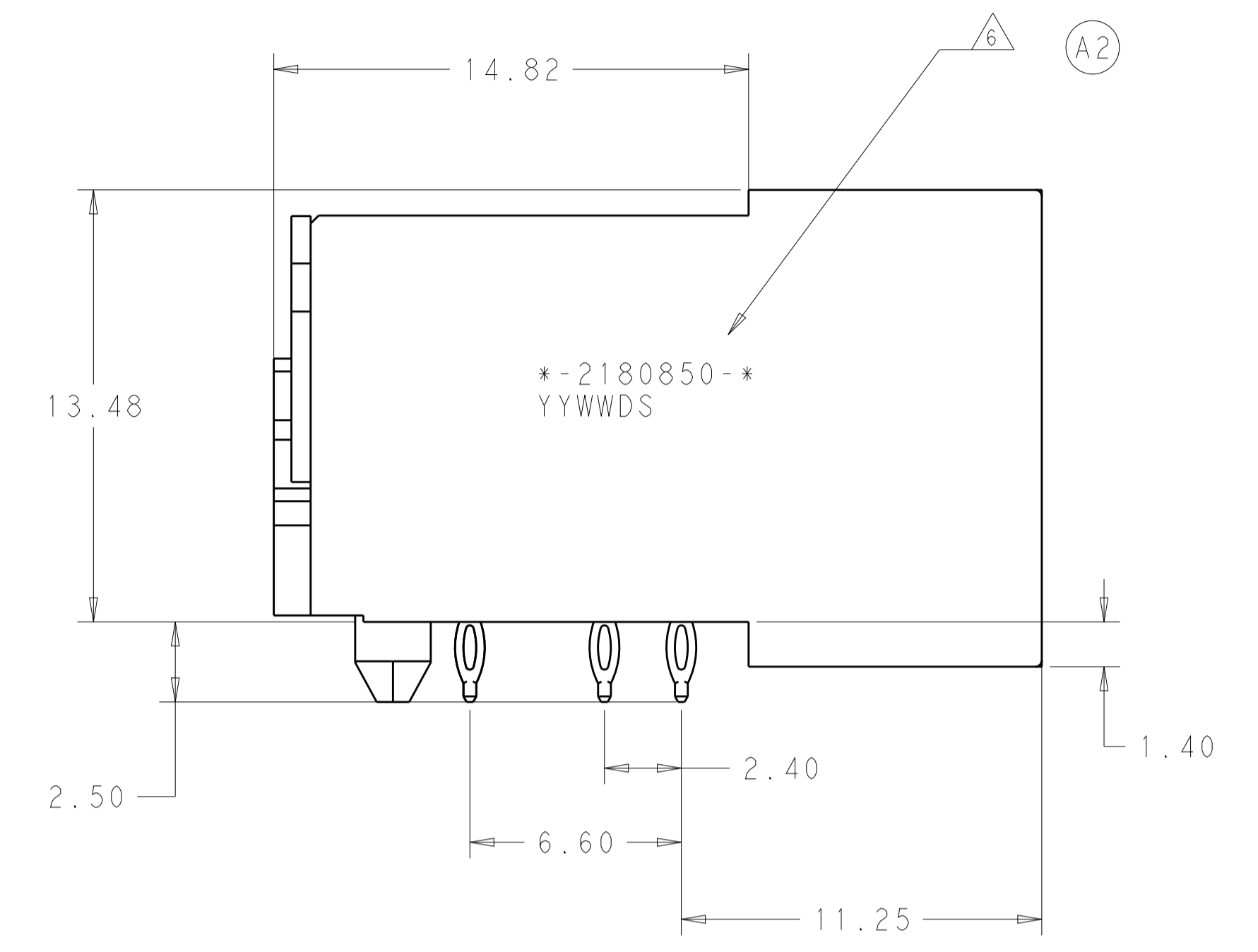
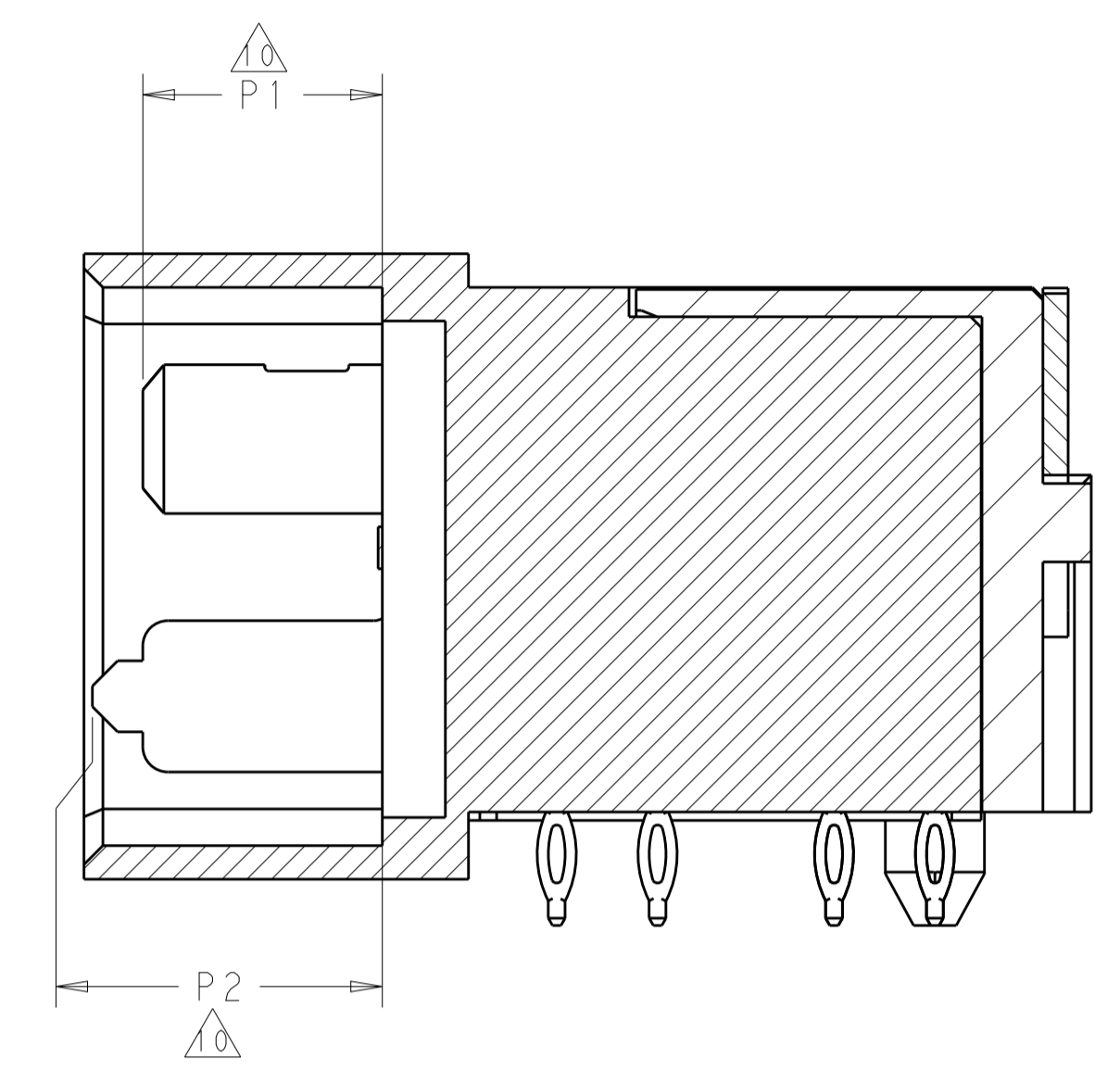
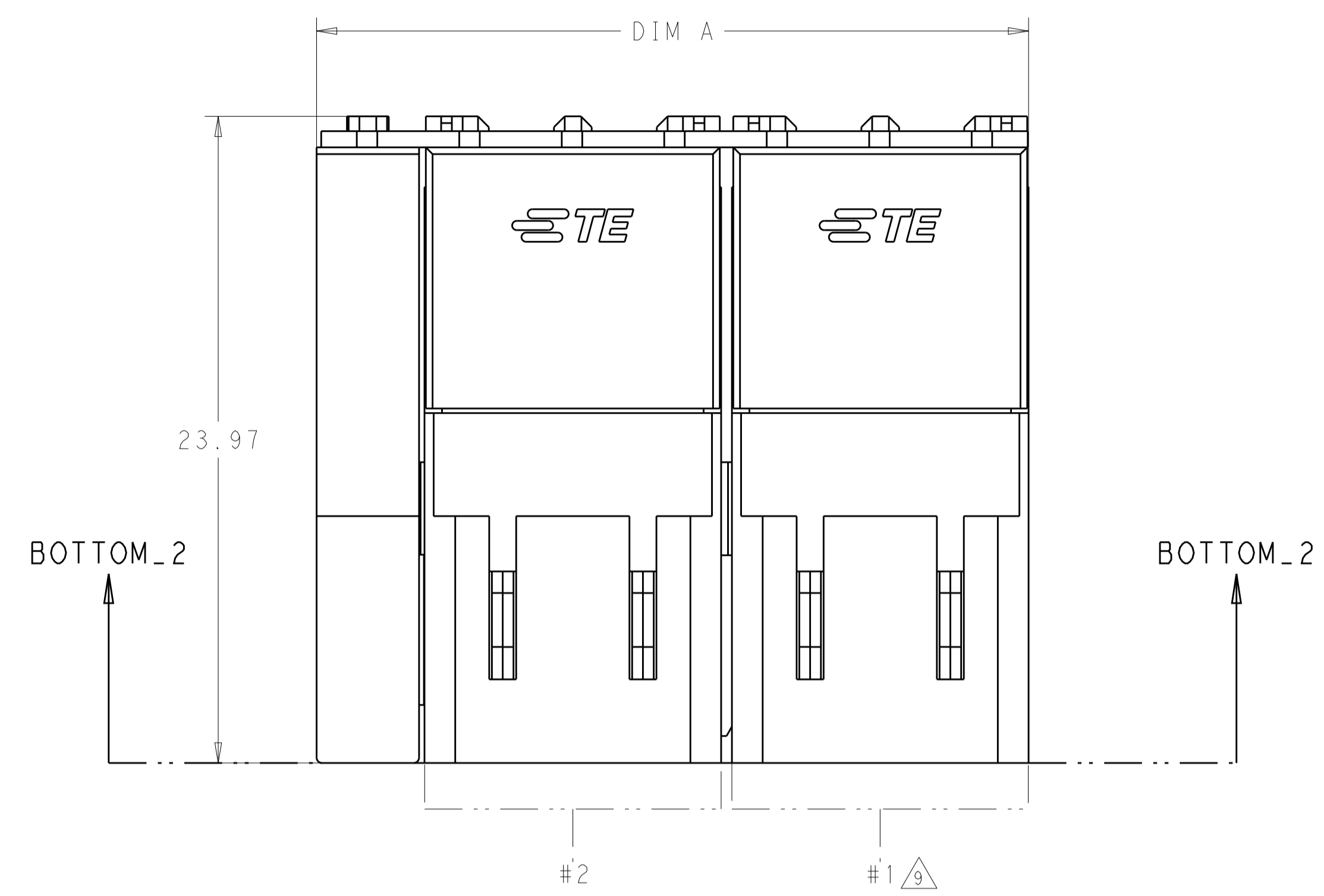
TE Connectivity

IMPACT POWER 3 PAIR
R/A HEADER W/HOLD DOWN LEFT
PRESS FIT

SIZE: A1 CAGE CODE: 2180850 DRAWING NO: 114-32028

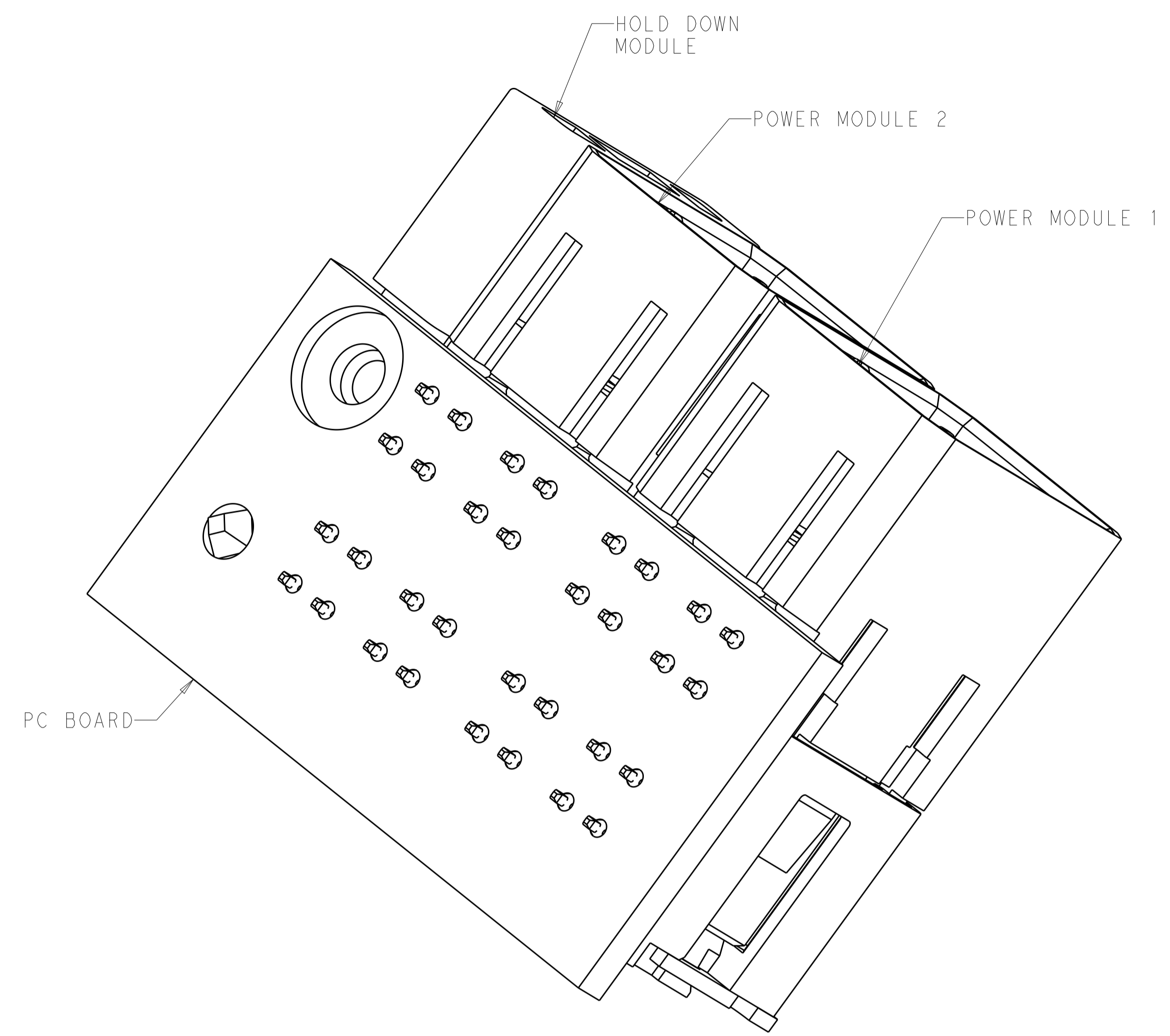
SCALE: 6:1 SHEET 1 OF 4 REV B

LOC	DIST	REV	DATE	BY	APPV
GP	00				
REVISIONS			DESCRIPTION	DATE	BY
			SEE SHEET 1		

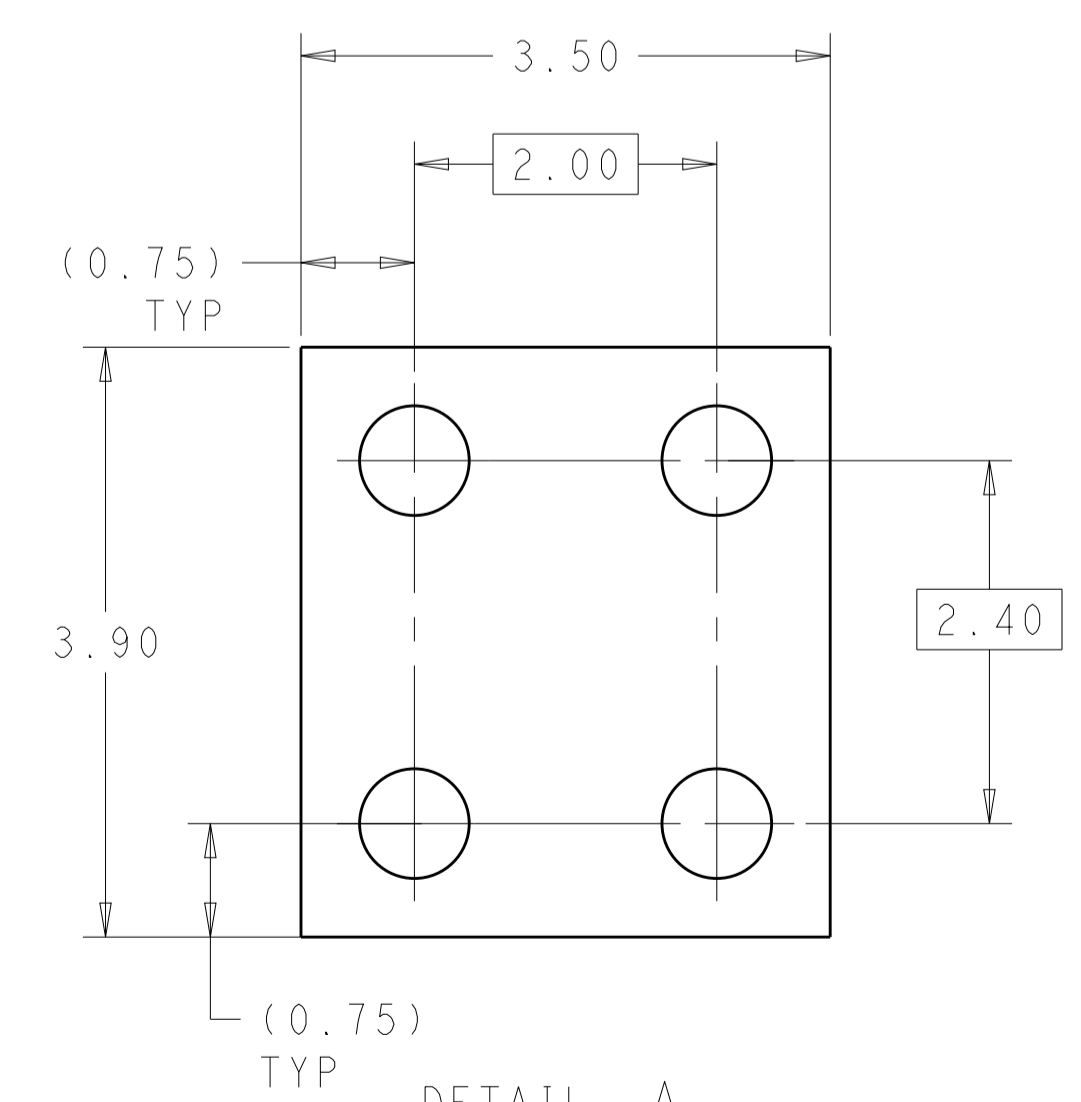


THIS DRAWING IS A CONTROLLED DOCUMENT.		OWN: LERRY WANG 13FEB2012	TE Connectivity
DIMENSIONS: mm		CHK: SUNY ZHAO 13FEB2012	
TOLERANCES UNLESS OTHERWISE SPECIFIED:		APVD: SUNY ZHAO 13FEB2012	NAME: IMPACT POWER 3 PAIR R/A HEADER W/HOLD DOWN LEFT PRESS FIT
0 PLC	±0.25	PRODUCT SPEC	SIZE: A100779C=2180850
1 PLC	±0.25	APPLICATION SPEC	RESTRICTED TO
2 PLC	±0.25	WEIGHT	SCALE: 6:1
3 PLC	±0.25	CUSTOMER DRAWING	SHEET 2 OF 4
4 PLC	±0.25		REV B
ANGLES	±0.5°		
FINISH			

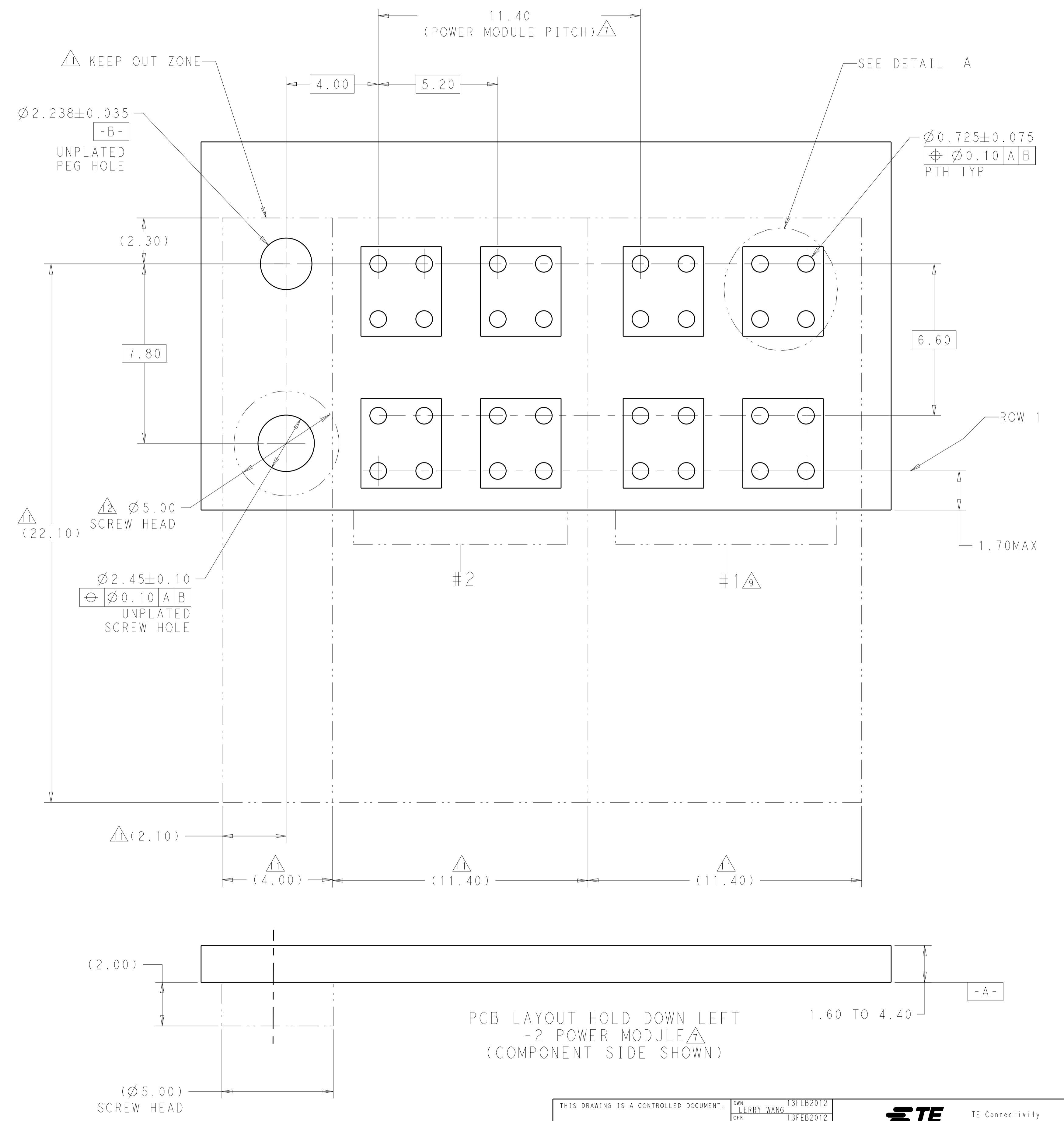
LOC		DIST		REVISIONS			
GP	00	P	LTN	DESCRIPTION	DATE	OWN	APVD
-	-	-	-	SEE SHEET 1	-	-	-



CONNECTOR WITH PCB BOARD



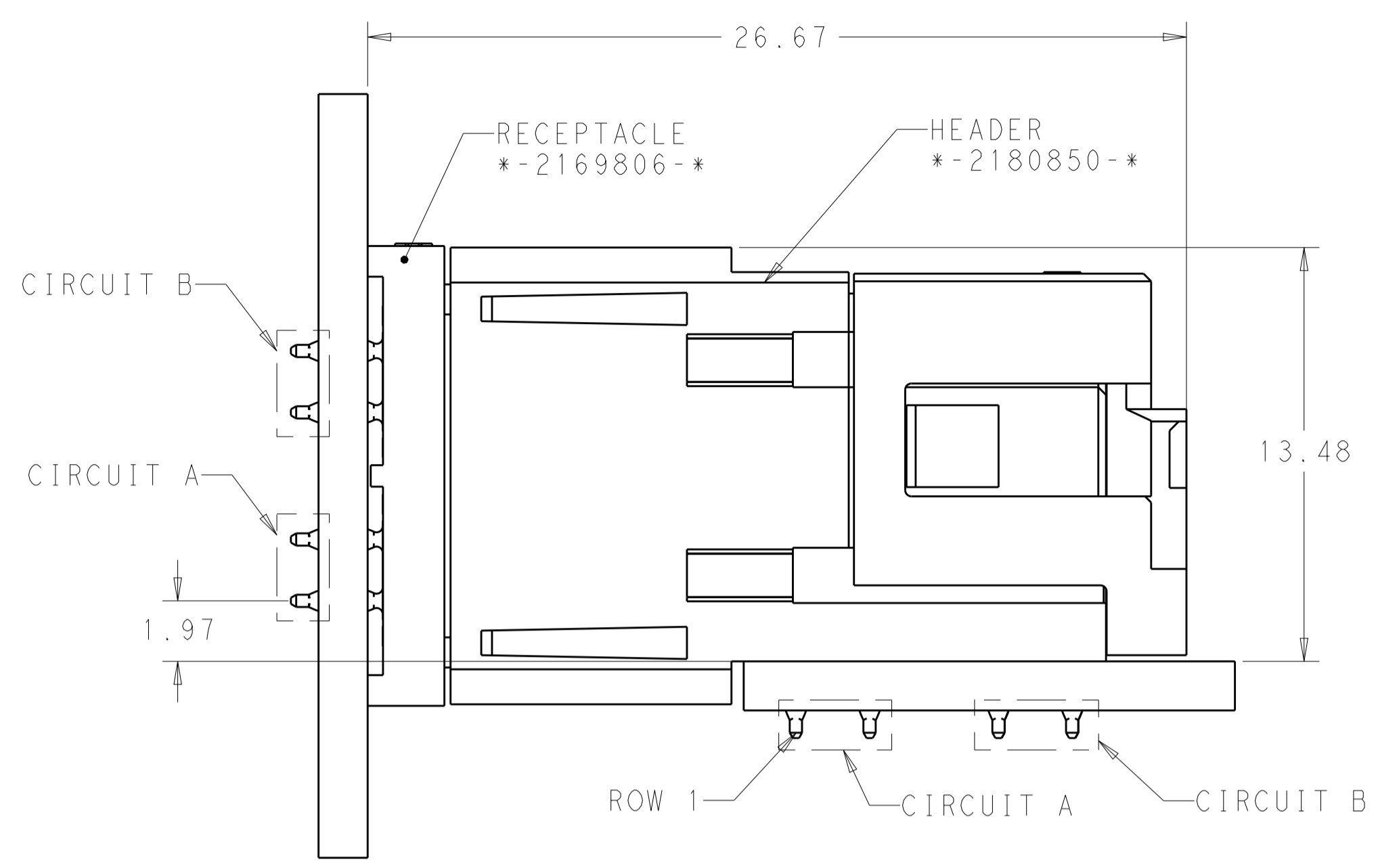
DETAIL A
 SCALE 20:1
 COPPER PAD REFERENCE



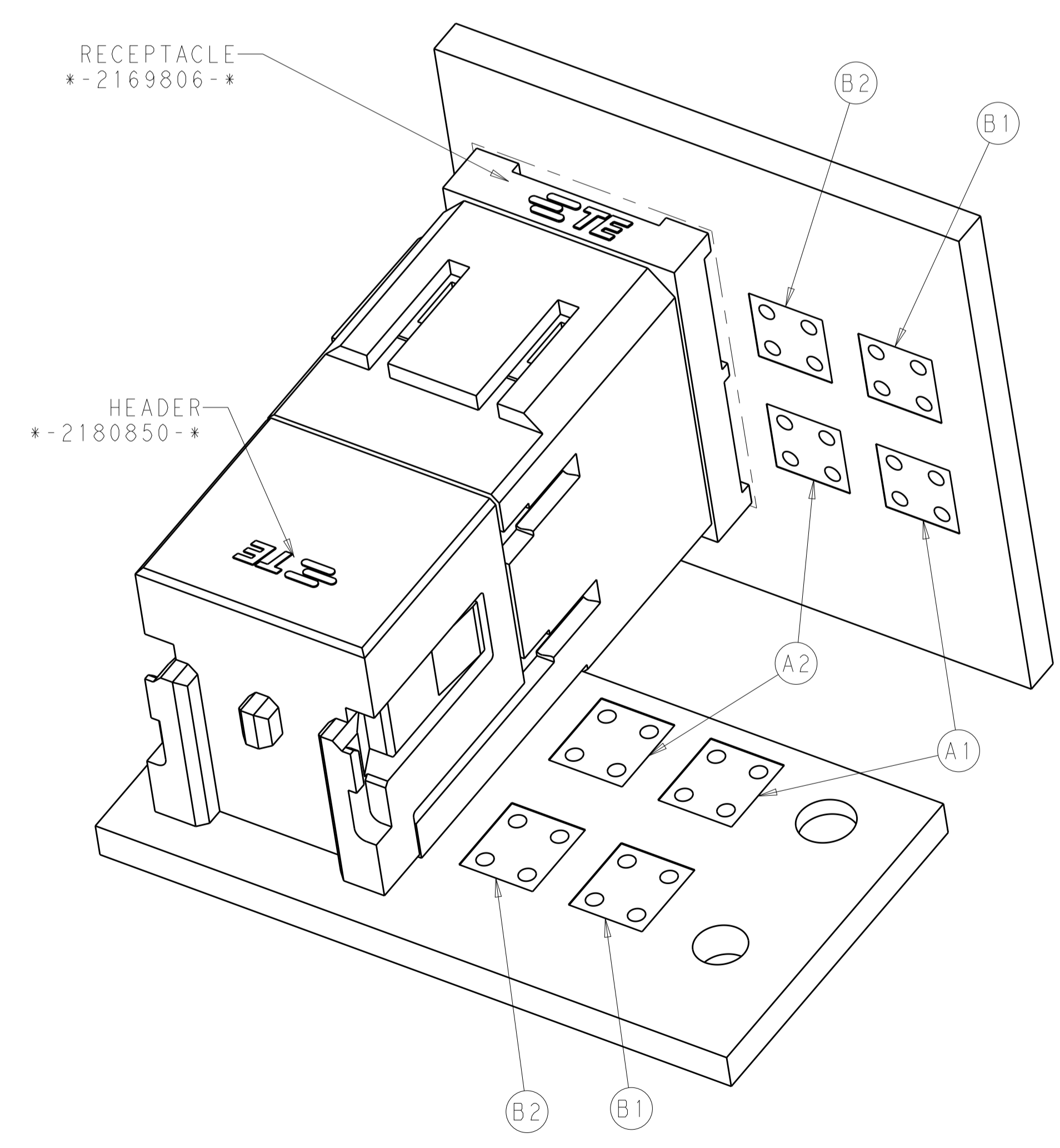
PCB LAYOUT HOLD DOWN LEFT
 - 2 POWER MODULE
 (COMPONENT SIDE SHOWN)

THIS DRAWING IS A CONTROLLED DOCUMENT.		OWN LERRY WANG 13FEB2012	TE Connectivity
DIMENSIONS: mm		CHK SUNY ZHAO 13FEB2012	
TOLERANCES UNLESS OTHERWISE SPECIFIED:		APVD SUNY ZHAO 13FEB2012	NAME
0 PLC	±	PRODUCT SPEC	IMPACT POWER 3 PAIR
1 PLC	±0.25	APPLICATION SPEC	R/A HEADER W/HOLD DOWN LEFT
2 PLC	±	SIZE	PRESS FIT
3 PLC	±	114-32028	RESTRICTED TO
4 PLC	±	WEIGHT	A100779C=2180850
ANGLES	±	CUSTOMER DRAWING	SCALE 6:1 SHEET 3 OF 4 REV B
FINISH	±		

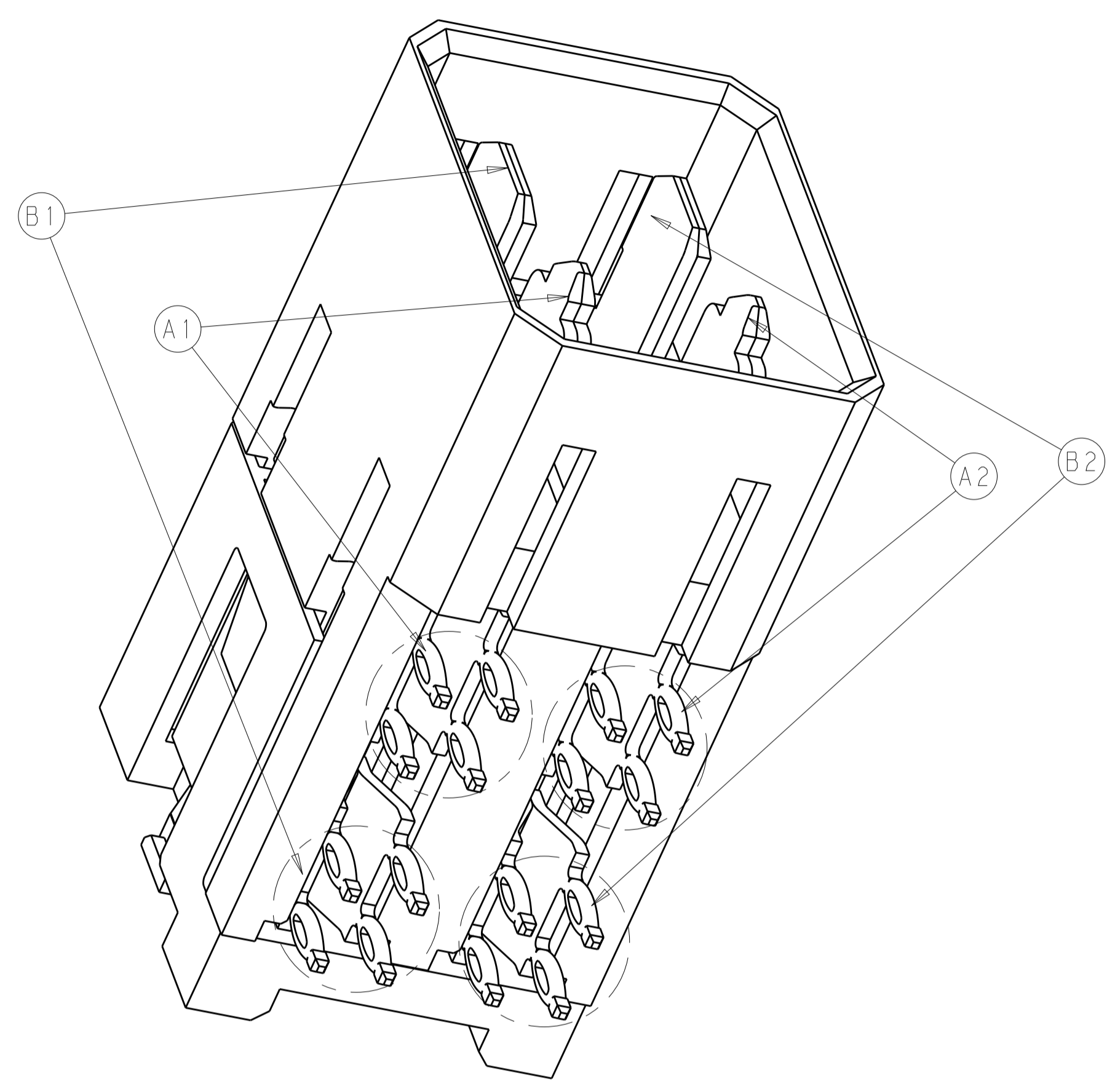
LOC		DIST		REVISIONS			
P	LTN	DESCRIPTION	DATE	DMN	APVD		
-	-	SEE SHEET 1	-	-	-		



MATED SYSTEM OF *-2180850-* & *-2169806-*



1 POWER MODULE AND LEFT HOLD DOWN REMOVED TO ILLUSTRATE CIRCUIT PATH OF MATED SYSTEM



PIN NUMBER ASSIGNMENT BASE ON HEADER SIDE:
 A1,B1 ON THE LEFT.
 A2,B2 ON THE RIGHT.

THIS DRAWING IS A CONTROLLED DOCUMENT.		DMN DAVID SHEN 14FEB2017	TE Connectivity
DIMENSIONS:		CHK STEVEN YIN 14FEB2017	
mm	0 PLC ±.1	APVD STEVEN YIN 14FEB2017	NAME IMPACT POWER 3 PAIR
	1 PLC ±.15	PRODUCT SPEC	R/A HEADER W/HOLD DOWN LEFT
	2 PLC ±.25	APPLICATION SPEC	PRESS FIT
MATERIAL	3 PLC ±.3	SIZE CAGE CODE DRAWING NO	RESTRICTED TO
	4 PLC ±.4	114-32028	A100779C=2180850
	ANGLES ±.5°	WEIGHT	SCALE 6:1 SHEET 4 OF 4 REV B
	FINISH	CUSTOMER DRAWING	