



Chipsmall Limited consists of a professional team with an average of over 10 year of expertise in the distribution of electronic components. Based in Hongkong, we have already established firm and mutual-benefit business relationships with customers from,Europe,America and south Asia,supplying obsolete and hard-to-find components to meet their specific needs.

With the principle of “Quality Parts,Customers Priority,Honest Operation,and Considerate Service”,our business mainly focus on the distribution of electronic components. Line cards we deal with include Microchip,ALPS,ROHM,Xilinx,Pulse,ON,Everlight and Freescale. Main products comprise IC,Modules,Potentiometer,IC Socket,Relay,Connector.Our parts cover such applications as commercial,industrial, and automotives areas.

We are looking forward to setting up business relationship with you and hope to provide you with the best service and solution. Let us make a better world for our industry!



Contact us

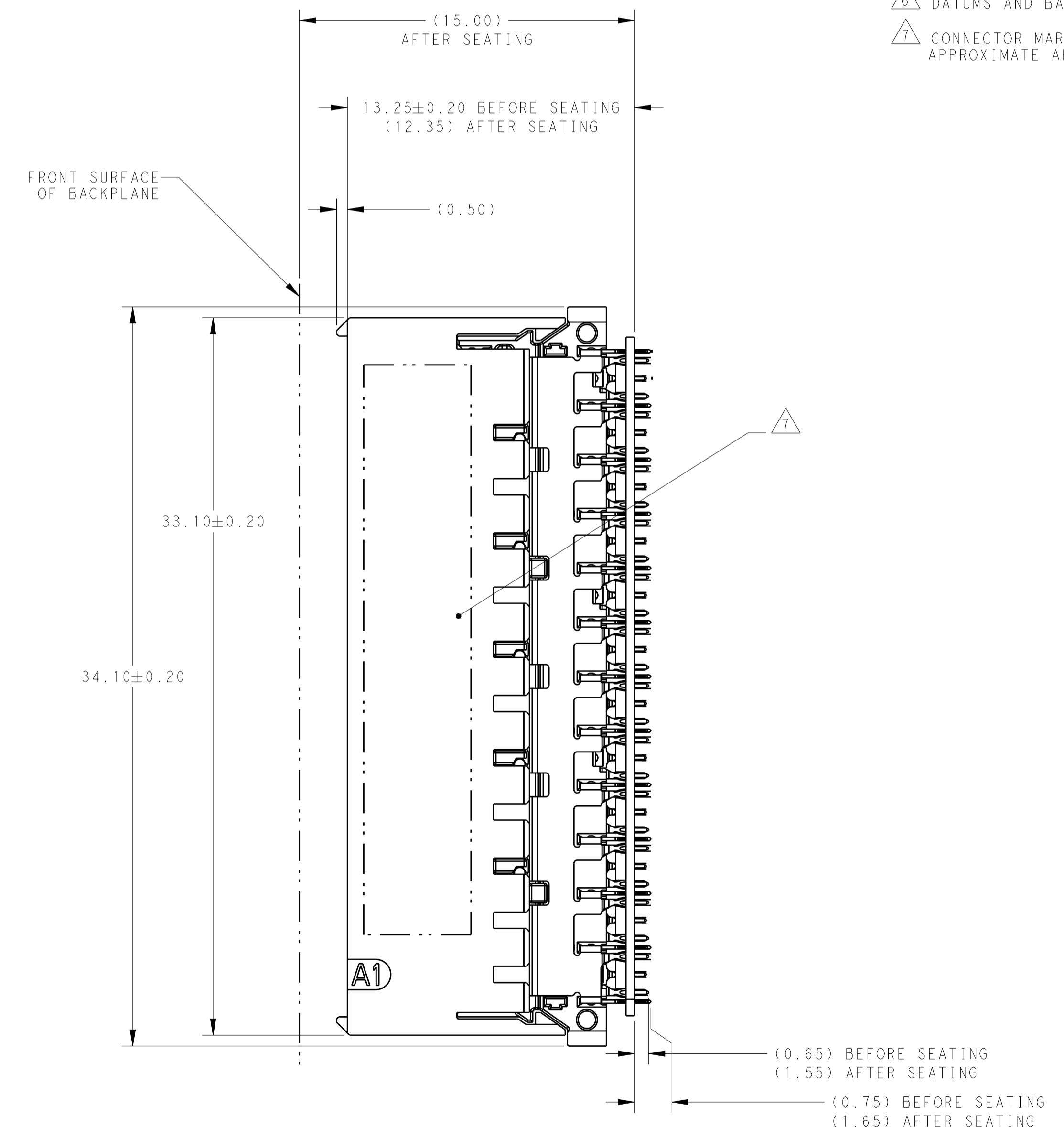
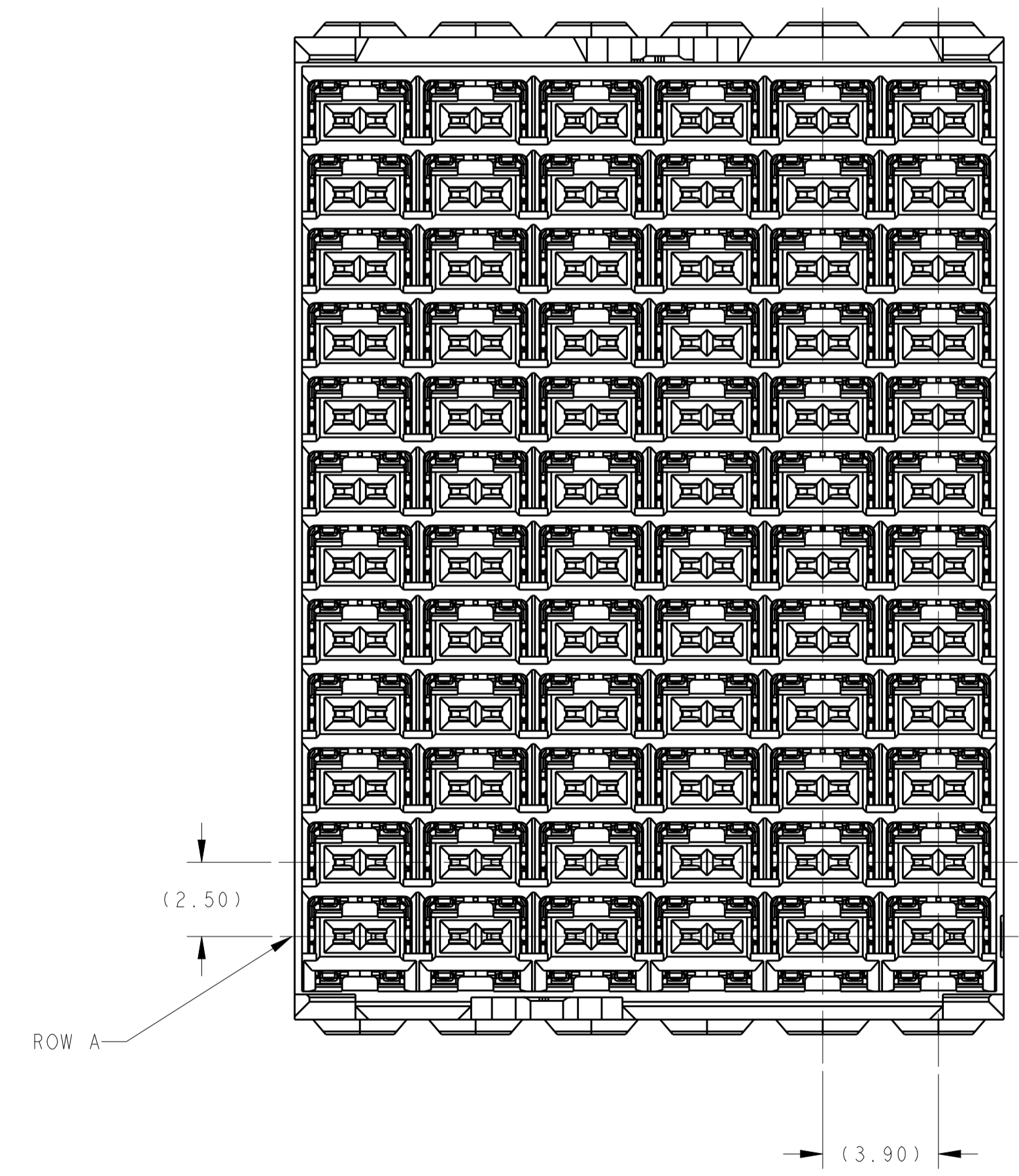
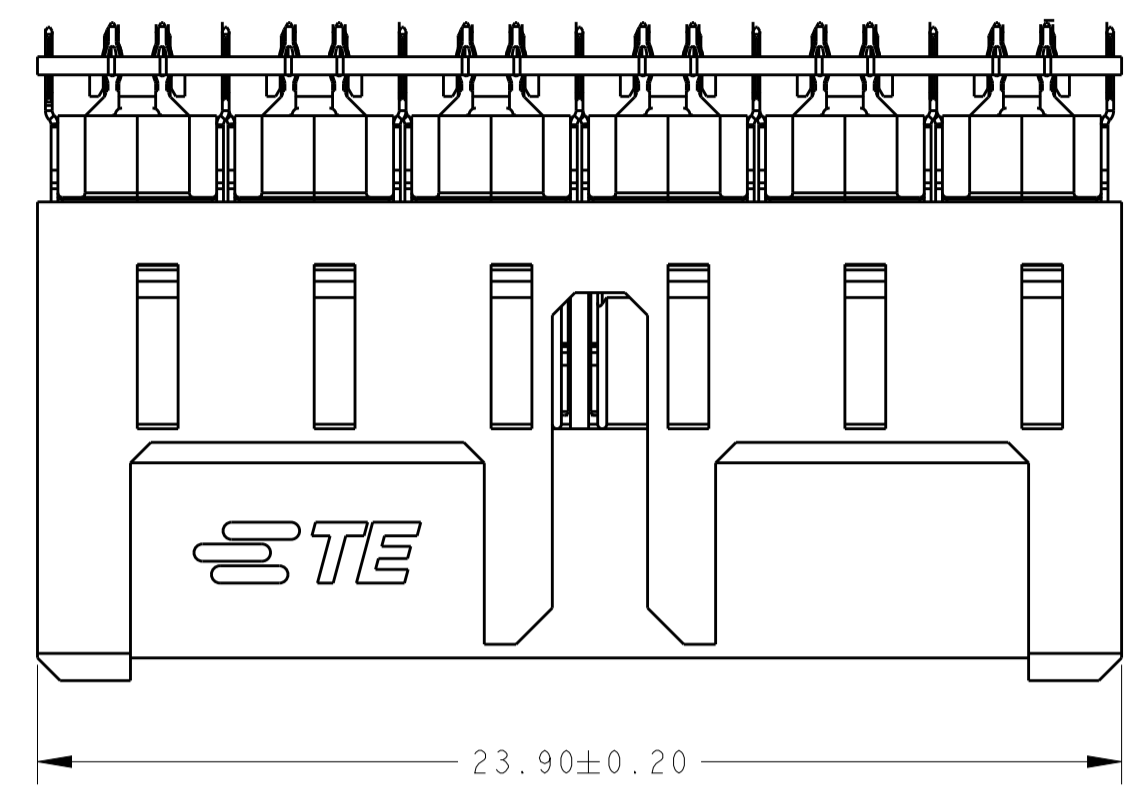
Tel: +86-755-8981 8866 Fax: +86-755-8427 6832

Email & Skype: info@chipsmall.com Web: www.chipsmall.com

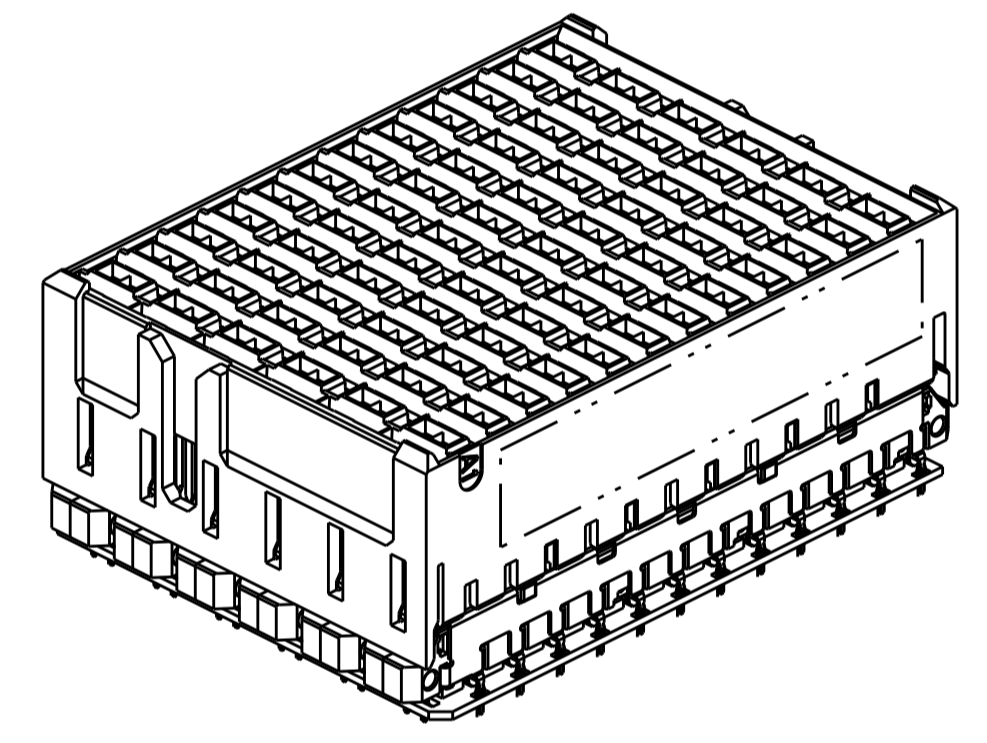
Address: A1208, Overseas Decoration Building, #122 Zhenhua RD., Futian, Shenzhen, China



REVISIONS					
P.	LTN	DESCRIPTION	DATE	DMN	APVD
3		UPDATE PCB LAYOUT	11SEP2015	MJH	MJH
4		UPDATE VIEWS	19OCT2015	MH	MH
A		REVISED PER ECO-16-016761	24NOV2016	AP	RP
A1		ECO-17-005634	20APR2017	MH	DS



- 1 MATERIAL:
CONTACTS AND SHIELDS - COPPER ALLOY
HOUSINGS AND TAIL ORGANIZER - THERMOPLASTIC, UL 94V-0, BLACK
ORGANIZING CLIPS - STAINLESS STEEL
- 2 FINISH:
- CONFORMS TO THE REQUIREMENTS OF TE PRODUCT SPECIFICATION 108-32112 BASED ON TELCORDIA GR-1217-CORE FOR SYSTEM QUALITY LEVEL III, APPLICATIONS IN CONTROLLED ENVIRONMENTS (CENTRAL OFFICE).
- COMPLIANT PIN AREA: 0.5µm MIN MATTE TIN.
- 3 SIGNAL PLATED THRU HOLE REQUIREMENTS:
FINISHED HOLE = Ø0.34 ± 0.05
HOLE SIZE PRIOR TO PLATING = Ø0.420 ± 0.025
COPPER THICKNESS = 0.025 MIN
IMMERSION TIN IF APPLICABLE = (0.00095)
- 4 GROUND AND SI VIA PLATED THRU HOLE REQUIREMENTS:
FINISHED HOLE = Ø0.37 ± 0.05
HOLE SIZE PRIOR TO PLATING = Ø0.450 ± 0.025
COPPER THICKNESS = 0.025 MIN
IMMERSION TIN IF APPLICABLE = (0.00095)
- 5 PTH DIMENSIONS APPLY TO THE TOP 1.25mm OF THE PCB THICKNESS FROM THE CONNECTOR MOUNTING SIDE.
- 6 DATUMS AND BASIC DIMENSIONS ESTABLISHED BY CUSTOMER
- 7 CONNECTOR MARKED WITH PART NUMBER, DATE CODE, AND "100 OHM" IN APPROXIMATE AREA SHOWN, ON EITHER SIDE OF HOUSING.



2187626-1
PART NUMBER

THIS DRAWING IS A CONTROLLED DOCUMENT.		DMN: N. EVANS 09FEB2015	TE Connectivity
DIMENSIONS: mm		CHK: N. EVANS 09FEB2015	
TOLERANCES UNLESS OTHERWISE SPECIFIED:		APVD: S. FLICKINGER 09FEB2015	NAME: 12 PAIR, 6 COLUMN, 100 OHM, PAIR-IN-ROW, STRADA WHISPER VERTICAL RECEPTACLE
0 PLC ± 1 PLC ± 2 PLC ± 3 PLC ± 4 PLC ± ANGLES ±		PRODUCT SPEC: 108-32112	
MATERIAL: -		APPLICATION SPEC: 114-32029	SIZE: A1
FINISH: -		WEIGHT: -	CAGE CODE: 2187626
		CUSTOMER DRAWING	RESTRICTED TO: -
		SCALE: 6:1	SHEET 1 OF 2
			REV: A1

