



Chipsmall Limited consists of a professional team with an average of over 10 year of expertise in the distribution of electronic components. Based in Hongkong, we have already established firm and mutual-benefit business relationships with customers from,Europe,America and south Asia,supplying obsolete and hard-to-find components to meet their specific needs.

With the principle of “Quality Parts,Customers Priority,Honest Operation,and Considerate Service”,our business mainly focus on the distribution of electronic components. Line cards we deal with include Microchip,ALPS,ROHM,Xilinx,Pulse,ON,Everlight and Freescale. Main products comprise IC,Modules,Potentiometer,IC Socket,Relay,Connector.Our parts cover such applications as commercial,industrial, and automotives areas.

We are looking forward to setting up business relationship with you and hope to provide you with the best service and solution. Let us make a better world for our industry!



Contact us

Tel: +86-755-8981 8866 Fax: +86-755-8427 6832

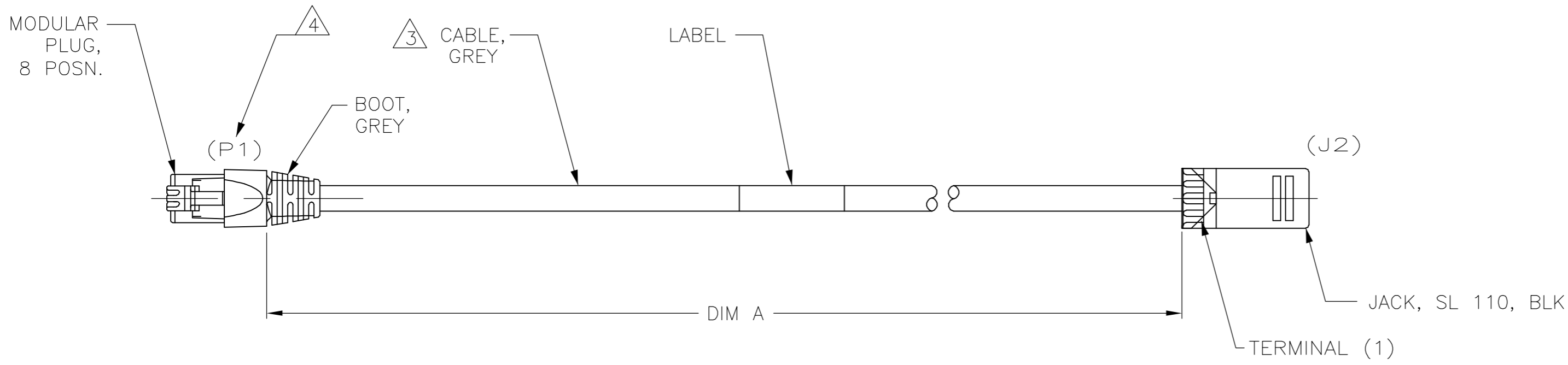
Email & Skype: info@chipsmall.com Web: www.chipsmall.com

Address: A1208, Overseas Decoration Building, #122 Zhenhua RD., Futian, Shenzhen, China

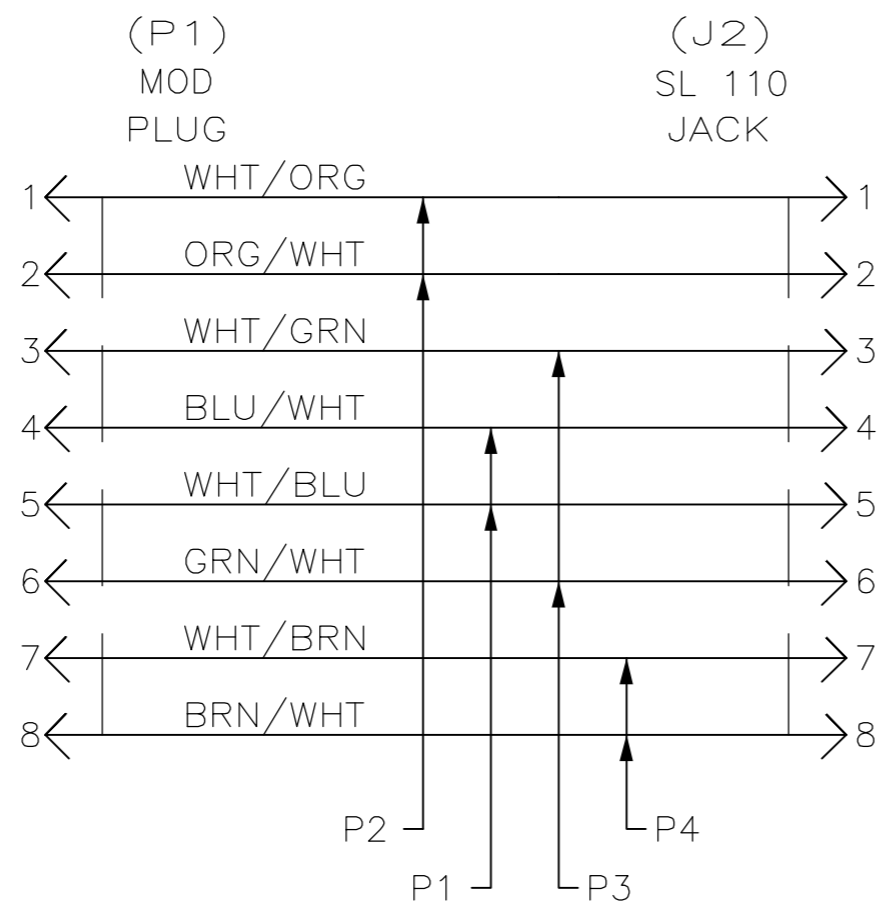


THIS DRAWING IS UNPUBLISHED. RELEASED FOR PUBLICATION
 © COPYRIGHT BY TYCO ELECTRONICS CORPORATION. ALL RIGHTS RESERVED.

LOC	DIST	REVISIONS			
P	LTR	DESCRIPTION	DATE	DWN	APVD
EH	00				
	L	REV: ECO-06-019788	20SEP06	GG	CC



- ONE CABLE PACKAGED IN A CLEAR POLY BAG.
- DIMENSIONS ARE MAXIMUM UNLESS OTHERWISE SPECIFIED.
- CABLE: UNSHIELDED 24 AWG, 4 TWISTED PAIRS, SOLID CONDUCTORS, 100 OHMS. RISER RATED.
- DESIGNATIONS IN PARENTHESES () ARE FOR REFERENCE ONLY.



WIRING DIAGRAM
T568B

75	900.00-906.00	219173-8
55	660.00-666.00	219173-7
6	72.00-76.00	219173-6
50	600.00-604.00	219173-4
40	480.00-484.00	219173-3
30	360.00-364.00	219173-2
20	240.00-244.00	219173-1
FEET, REF	DIM A	PART NO

THIS DRAWING IS A CONTROLLED DOCUMENT.		DWN M. BOLES 19OCT2001	Tyco Electronics Corporation Harrisburg, PA 17105-3608			
DIMENSIONS: mm [INCHES]		CHK B. ANTHONY 07MAY97				
TOLERANCES UNLESS OTHERWISE SPECIFIED:		APVD B. ANTHONY 07MAY97	NAME CABLE ASSY, MOD PLUG/SL 110 JK, GRAY, 568B, CAT 5E			
0 PLC ± 1 PLC ± 2 PLC ± 3 PLC ± 4 PLC ± ANGLES ± FINISH ±		APPLICATION SPEC	SIZE A2	CAGE CODE 00779	DRAWING NO C=219173	RESTRICTED TO
MATERIAL		WEIGHT	SCALE NTS		SHEET 1 of 1	REV L
		CUSTOMER DRAWING				