



Chipsmall Limited consists of a professional team with an average of over 10 year of expertise in the distribution of electronic components. Based in Hongkong, we have already established firm and mutual-benefit business relationships with customers from,Europe,America and south Asia,supplying obsolete and hard-to-find components to meet their specific needs.

With the principle of "Quality Parts,Customers Priority,Honest Operation,and Considerate Service",our business mainly focus on the distribution of electronic components. Line cards we deal with include Microchip,ALPS,ROHM,Xilinx,Pulse,ON,Everlight and Freescale. Main products comprise IC,Modules,Potentiometer,IC Socket,Relay,Connector.Our parts cover such applications as commercial,industrial, and automotives areas.

We are looking forward to setting up business relationship with you and hope to provide you with the best service and solution. Let us make a better world for our industry!



Contact us

Tel: +86-755-8981 8866 Fax: +86-755-8427 6832

Email & Skype: info@chipsmall.com Web: www.chipsmall.com

Address: A1208, Overseas Decoration Building, #122 Zhenhua RD., Futian, Shenzhen, China

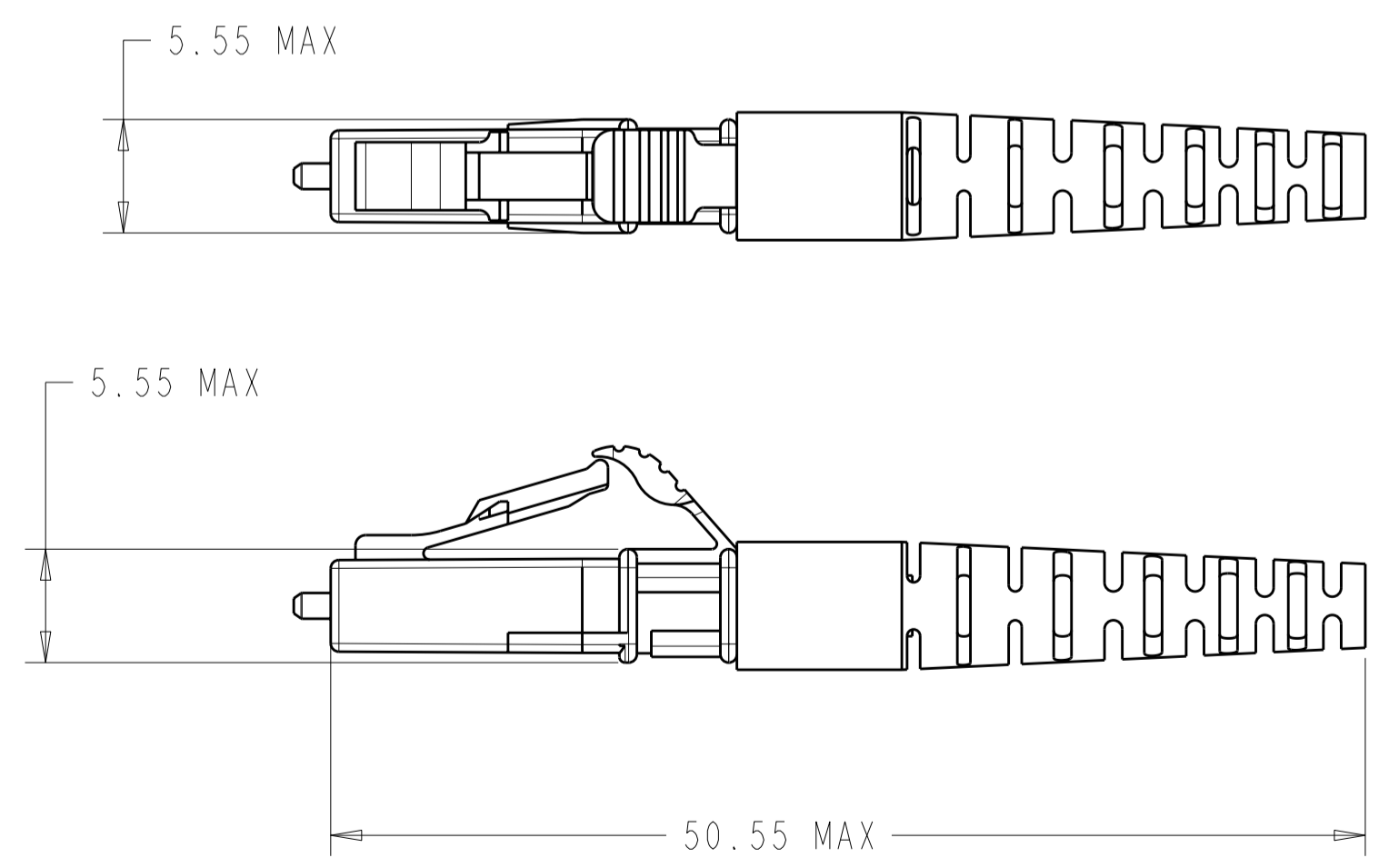
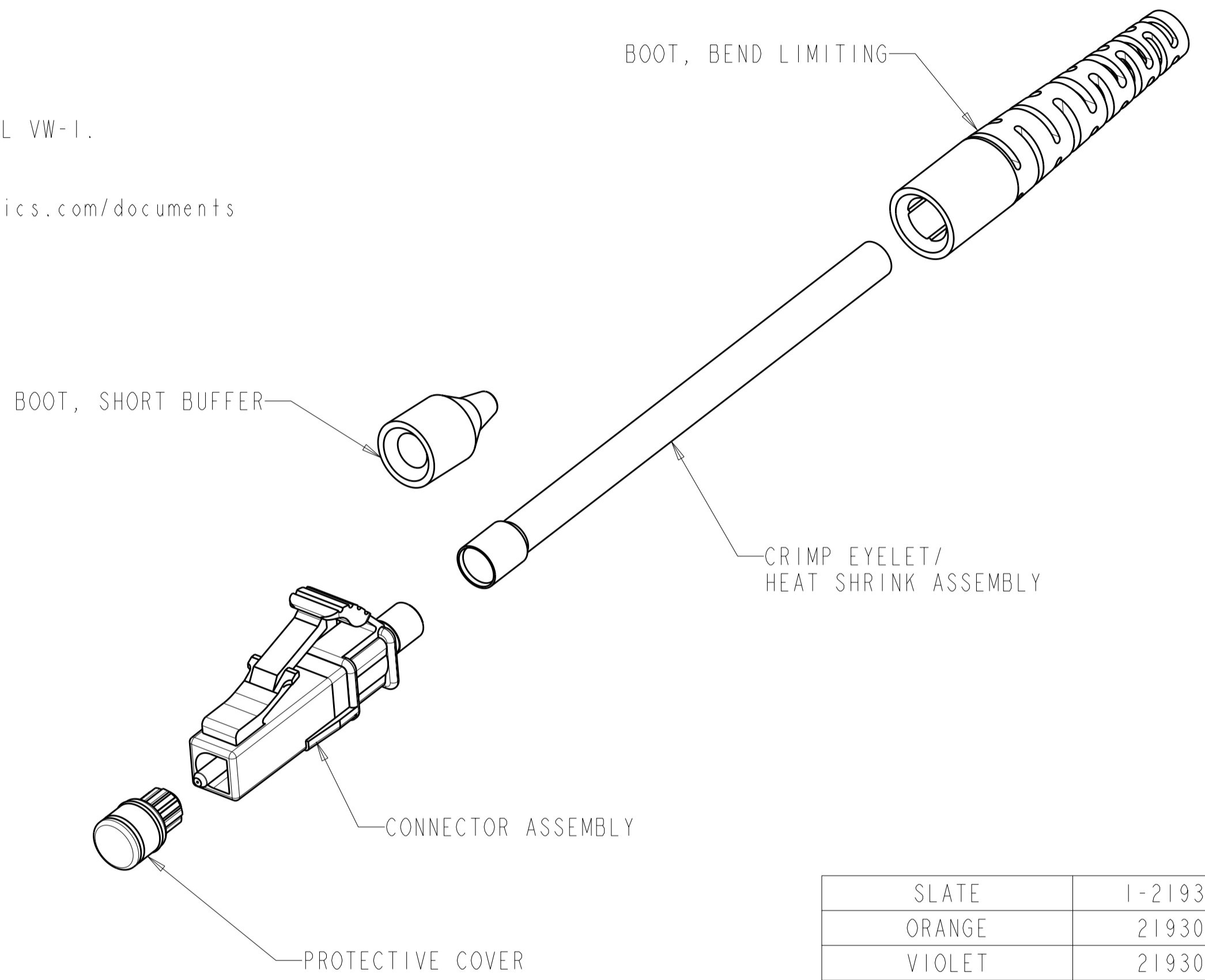


THIS DRAWING IS UNPUBLISHED. RELEASED FOR PUBLICATION 20
 © COPYRIGHT 20 BY - ALL RIGHTS RESERVED.

LOC	DIST	REVISIONS			
P	LTR	DESCRIPTION	DATE	DWN	APVD
HM	00	A	RELEASE ECO-11-010691	31MAY2011	LH DK

⚠ MATERIAL: PROTECTIVE COVER: TPE, COLOR:BLACK, UL 94 V-0 *
 FERRULE SUB ASSEMBLY: ZIRCONIA/METAL.
 COMPRESSION SPRING: STAINLESS STEEL.
 HOUSING: PPSU, COLOR:SEE DASH NO'S.
 INNER TUBING: PTFE, COLOR:CLEAR, UL VW-1.
 REAR BODY:METAL.
 BOOT: PP, COLOR:BEIGE, UL 94 V-0. *
 CRIMP EYELET/HEAT SHRINK ASSY: ALUM. ALLOY, HEAT SHRINK: POLYOLEFIN, UL VW-1.
 *RATED AT QUALIFYING THICKNESS.

2. INSTRUCTION SHEET: 408-8675 AVAILABLE FOR DOWNLOAD AT www.tycoelectronics.com/documents
 OR www.ampnetconnect.com/foguide.



SLATE	1-2193005-0
ORANGE	2193005-9
VIOLET	2193005-8
BROWN	2193005-7
AQUA	2193005-6
ROSE	2193005-5
BLUE	2193005-4
GREEN	2193005-3
YELLOW	2193005-2
RED	2193005-1
COLOR	PART NO

THIS DRAWING IS A CONTROLLED DOCUMENT.

DWN	L. HALL	27MAY2011	TE Connectivity
CHK	D. KIRSCH	31MAY2011	
APVD	D. KIRSCH	31MAY2011	
PRODUCT SPEC	-		
MATERIAL	-		NAME KIT, CONNECTOR, LC SECURE SIMPLEX,MM, 250um, 900um BUFFER, 1.6-2.0mm, JACKET
DIMENSIONS:	mm 0 PLC ± 1 PLC ±0.1 2 PLC ±0.01 3 PLC ± 4 PLC ± ANGLES ± FINISH ±		APPLICATION SPEC - WEIGHT -
TOLERANCES UNLESS OTHERWISE SPECIFIED:			SIZE A2
MATERIAL 			CAGE CODE 00779
CUSTOMER DRAWING			DRAWING NO 2193005
SCALE 3:1			RESTRICTED TO -
SHEET 1 OF 1			REV A