



Chipsmall Limited consists of a professional team with an average of over 10 year of expertise in the distribution of electronic components. Based in Hongkong, we have already established firm and mutual-benefit business relationships with customers from,Europe,America and south Asia,supplying obsolete and hard-to-find components to meet their specific needs.

With the principle of “Quality Parts,Customers Priority,Honest Operation,and Considerate Service”,our business mainly focus on the distribution of electronic components. Line cards we deal with include Microchip,ALPS,ROHM,Xilinx,Pulse,ON,Everlight and Freescale. Main products comprise IC,Modules,Potentiometer,IC Socket,Relay,Connector.Our parts cover such applications as commercial,industrial, and automotives areas.

We are looking forward to setting up business relationship with you and hope to provide you with the best service and solution. Let us make a better world for our industry!



Contact us

Tel: +86-755-8981 8866 Fax: +86-755-8427 6832

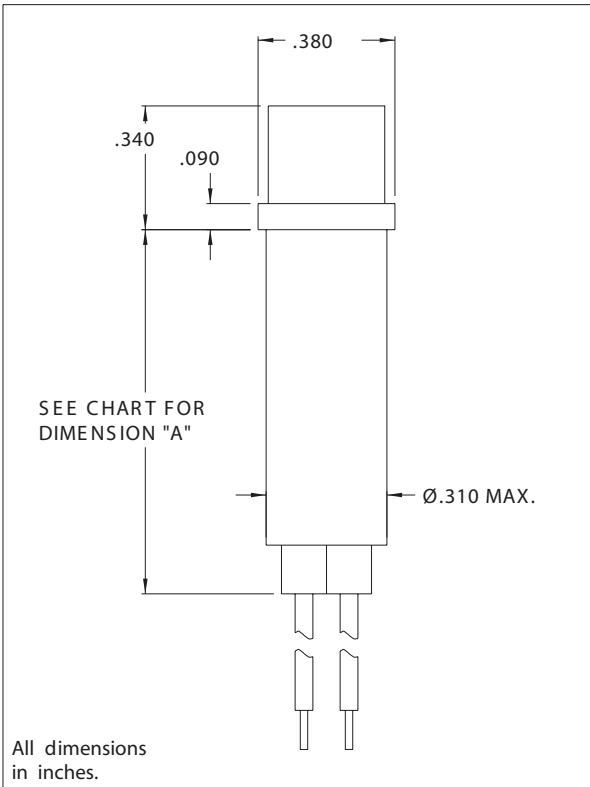
Email & Skype: info@chipsmall.com Web: www.chipsmall.com

Address: A1208, Overseas Decoration Building, #122 Zhenhua RD., Futian, Shenzhen, China



2150A, 2151A, 2112A, 2152A and 2194A Series Non-Relampable Neon-Incandescent Indicator Lights

Description and Features



Mounting: Ø.310 MIN., supplied with push-on speednut SN1287.

Wire Leads: No. 22 AWG (105°C), 4.40/4.80 long, stripped .430/.570.

Lens: Polycarbonate-neon transparent, incandescent-translucent

Bezel: Polished stainless steel.

Housing: White Nylon

Lens Color	Neon		Incandescent	
	Model No. (105-125VAC)	Model No. (208-250VAC)	Model No. (12V)	Model No. (28V)
Red	2150A1	2151A1	2194A1-12V	2194A1-28V
Clear	2150A2	-	-	-
Amber	2150A3	2151A3	2194A3-12V	2194A3-28V
White	2150A4	2151A4	-	2194A4-28V
Green	2152A5*	2153A5*	2194A5-12V	2194A5-28V
Blue	2152A6**	2153A6**	-	-
Lamp used	C2A+Resistor	C2A+Resistor	#2162	#2187
Lead Color	Black	Black/Red	Yellow	Purple
"A" DIM	1.310	1.310	.830	.830

* Incorporates G2B lamp and resistor.

** Incorporates T2B lamp and resistor.

Underwriters Laboratories (UL) File No. E20356