



Chipsmall Limited consists of a professional team with an average of over 10 year of expertise in the distribution of electronic components. Based in Hongkong, we have already established firm and mutual-benefit business relationships with customers from,Europe,America and south Asia,supplying obsolete and hard-to-find components to meet their specific needs.

With the principle of “Quality Parts,Customers Priority,Honest Operation,and Considerate Service”,our business mainly focus on the distribution of electronic components. Line cards we deal with include Microchip,ALPS,ROHM,Xilinx,Pulse,ON,Everlight and Freescale. Main products comprise IC,Modules,Potentiometer,IC Socket,Relay,Connector.Our parts cover such applications as commercial,industrial, and automotives areas.

We are looking forward to setting up business relationship with you and hope to provide you with the best service and solution. Let us make a better world for our industry!



Contact us

Tel: +86-755-8981 8866 Fax: +86-755-8427 6832

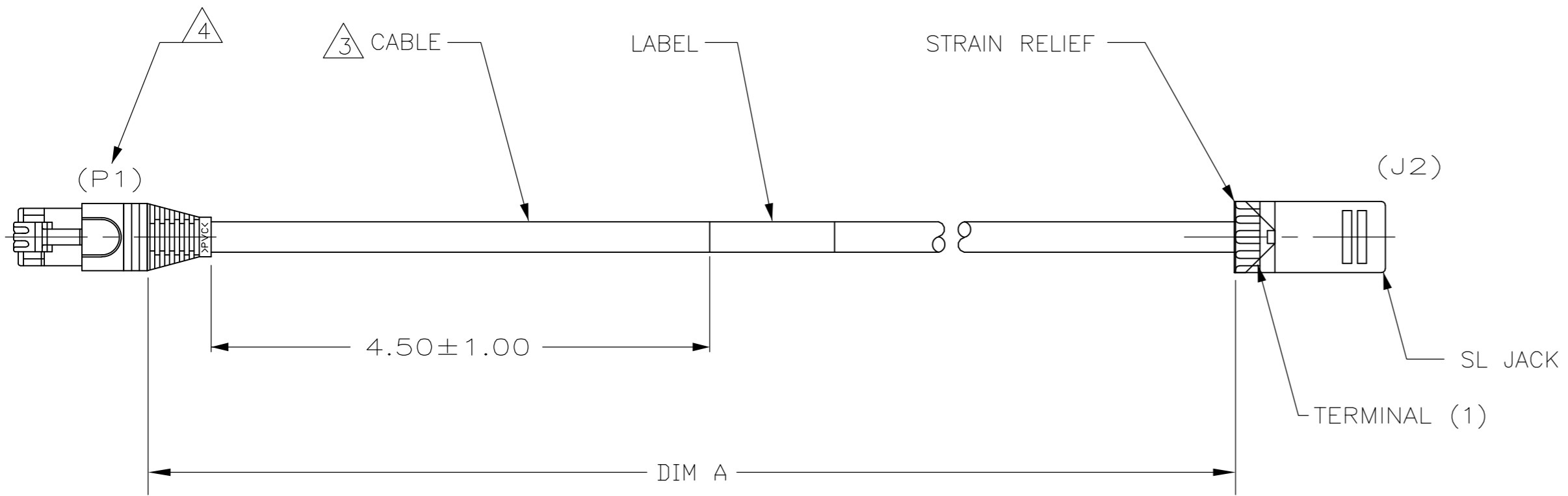
Email & Skype: info@chipsmall.com Web: www.chipsmall.com

Address: A1208, Overseas Decoration Building, #122 Zhenhua RD., Futian, Shenzhen, China

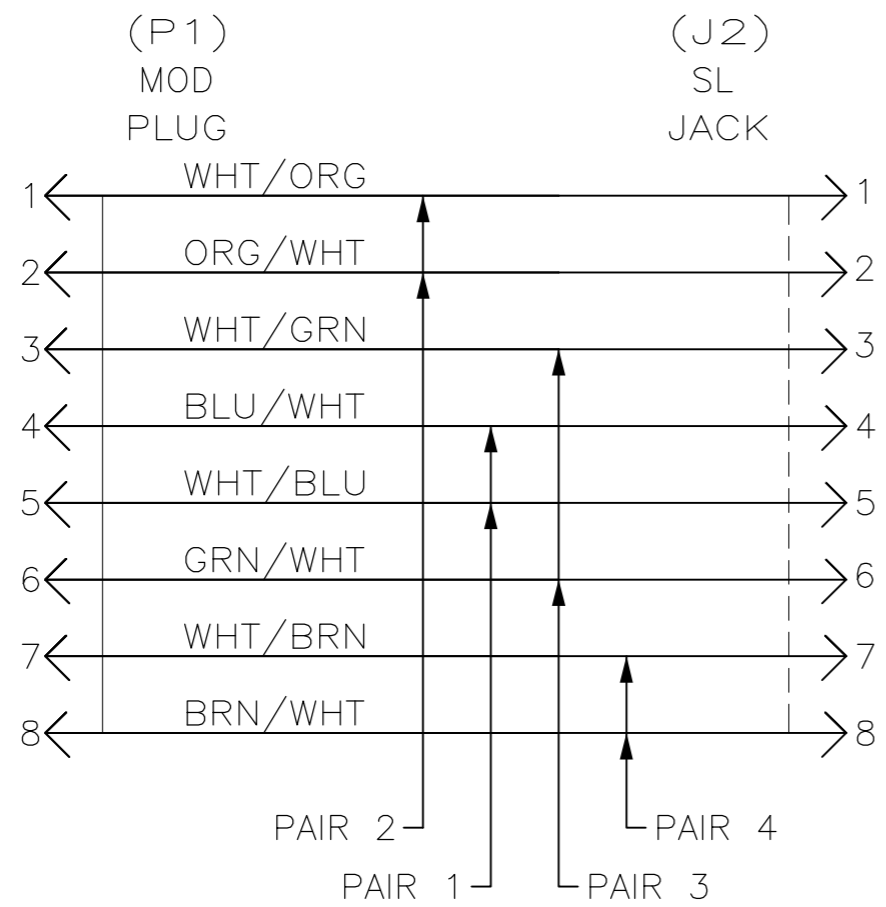


THIS DRAWING IS UNPUBLISHED. RELEASED FOR PUBLICATION
 © COPYRIGHT BY TYCO ELECTRONICS CORPORATION. ALL RIGHTS RESERVED.

LOC	DIST	REVISIONS					
		P	LTR	DESCRIPTION	DATE	DWN	APVD
EH	00	F		REV-ECO-06-019788	20SEP06	GG	CC
		H		REV ECO-07-022327	04OCT07	LH	JG
		J		REV ECO-07-030359	21DEC07	GG	JG



- ONE CABLE PACKAGED IN A CLEAR POLY BAG.
- DIMENSIONS ARE MAXIMUM UNLESS OTHERWISE SPECIFIED.
- CABLE: UNSHIELDED 23 AWG, 4 TWISTED PAIRS, SOLID CONDUCTORS, 100 OHMS, CAT 6 PLENUM RATED.
- DESIGNATIONS IN PARENTHESES () ARE FOR REFERENCE ONLY.
- FOR LENGTHS LESS THAN 40 FEET TIA/EIA 568-B.2 CHANNEL LIMITS SHALL BE USED FOR TESTING SYSTEM PERFORMANCE.



WIRING DIAGRAM
T568B

OBSELETE	75	900.00-904.00	219599-7
	10	120.00-124.00	219599-5
	50	600.00-604.00	219599-4
	40	480.00-484.00	219599-3
	30	360.00-364.00	219599-2
	20	240.00-244.00	219599-1
	FEET, REF	DIM A	PART NO

THIS DRAWING IS A CONTROLLED DOCUMENT.		DWN L. HALL 01FEB2002	Tyco Electronics Corporation Harrisburg, Pa., 17105-3608	
DIMENSIONS: INCHES	TOLERANCES UNLESS OTHERWISE SPECIFIED:	CHK M. DELPHIAS 01FEB02	NAME CABLE ASSY, MOD PLUG/SL JACK, GRAY, 568B	
	0 PLC ±	APVD M. DELPHIAS 01FEB02	SIZE A2	CAGE CODE 00779
	1 PLC ± -	PRODUCT SPEC	DRAWING NO C=219599	RESTRICTED TO
MATERIAL	FINISH	APPLICATION SPEC	SCALE NTS	SHEET 1 OF 1
CUSTOMER DRAWING		WEIGHT	REV J	

219599