



Chipsmall Limited consists of a professional team with an average of over 10 year of expertise in the distribution of electronic components. Based in Hongkong, we have already established firm and mutual-benefit business relationships with customers from,Europe,America and south Asia,supplying obsolete and hard-to-find components to meet their specific needs.

With the principle of “Quality Parts,Customers Priority,Honest Operation,and Considerate Service”,our business mainly focus on the distribution of electronic components. Line cards we deal with include Microchip,ALPS,ROHM,Xilinx,Pulse,ON,Everlight and Freescale. Main products comprise IC,Modules,Potentiometer,IC Socket,Relay,Connector.Our parts cover such applications as commercial,industrial, and automotives areas.

We are looking forward to setting up business relationship with you and hope to provide you with the best service and solution. Let us make a better world for our industry!



Contact us

Tel: +86-755-8981 8866 Fax: +86-755-8427 6832

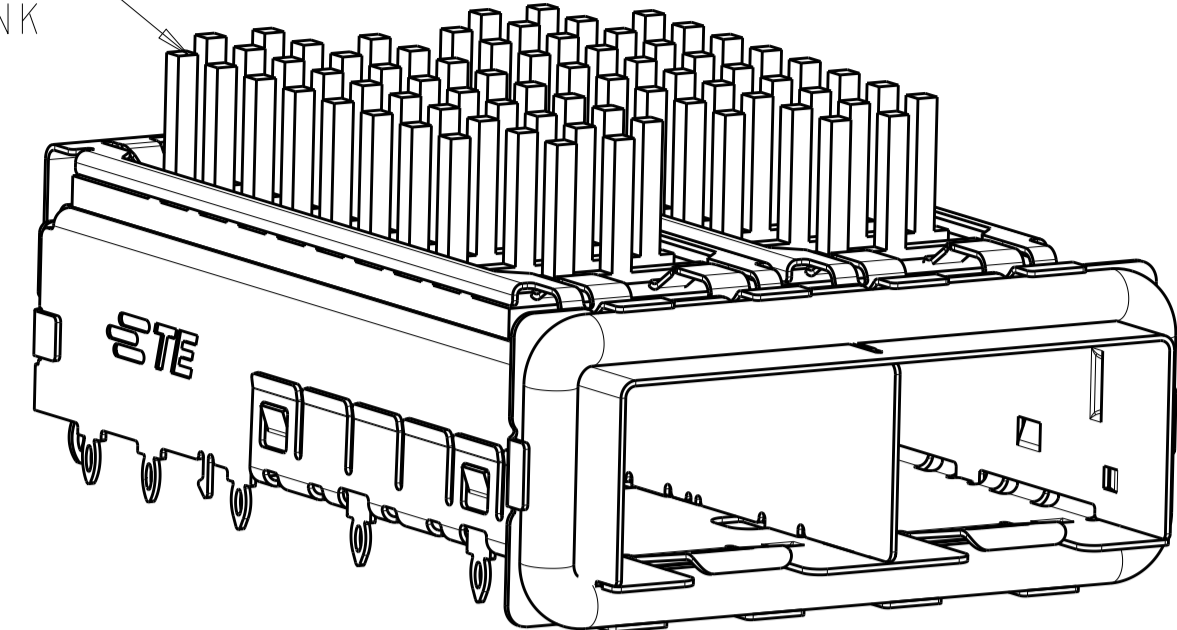
Email & Skype: info@chipsmall.com Web: www.chipsmall.com

Address: A1208, Overseas Decoration Building, #122 Zhenhua RD., Futian, Shenzhen, China



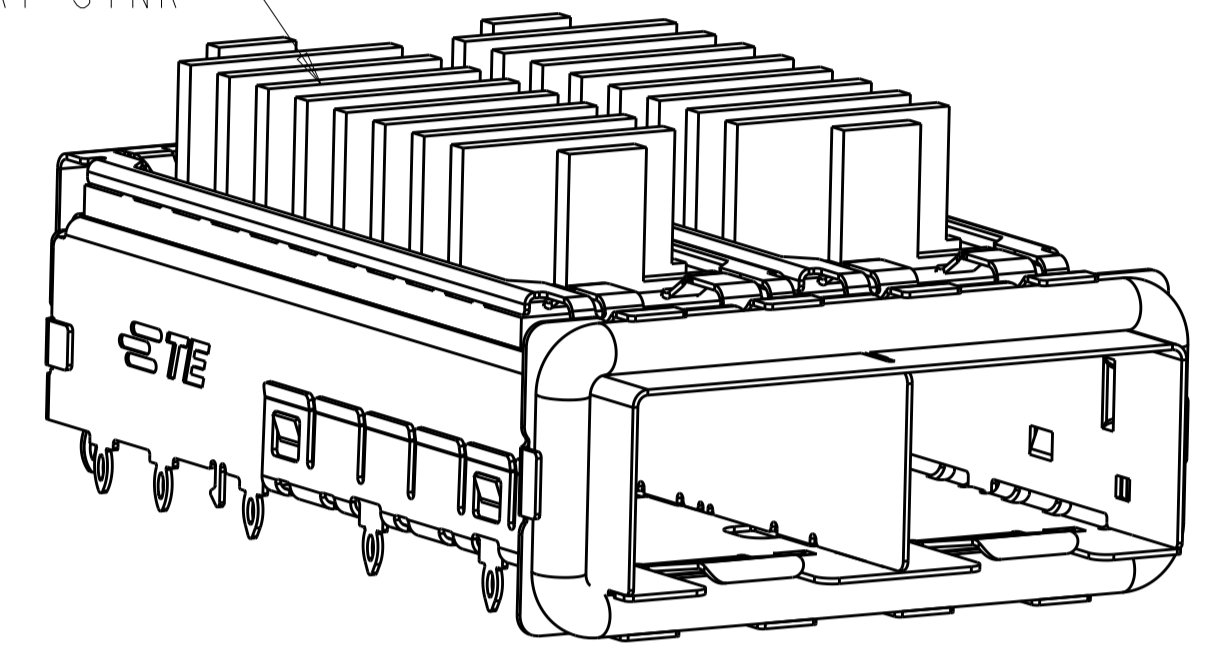
LOC	DIST	REVISIONS					
GP	00	P	LTN	DESCRIPTION	DATE	DWN	APVD
		A		RELEASED PER ECO-12-013192	05SEP2012	BMM	MRS
		A1		RELEASED PER ECO-13-0014600	12OCT2013	PP	SH

PIN TYPE HEAT SINK



2198224-1,2,3,4
FINISHED ASSEMBLY

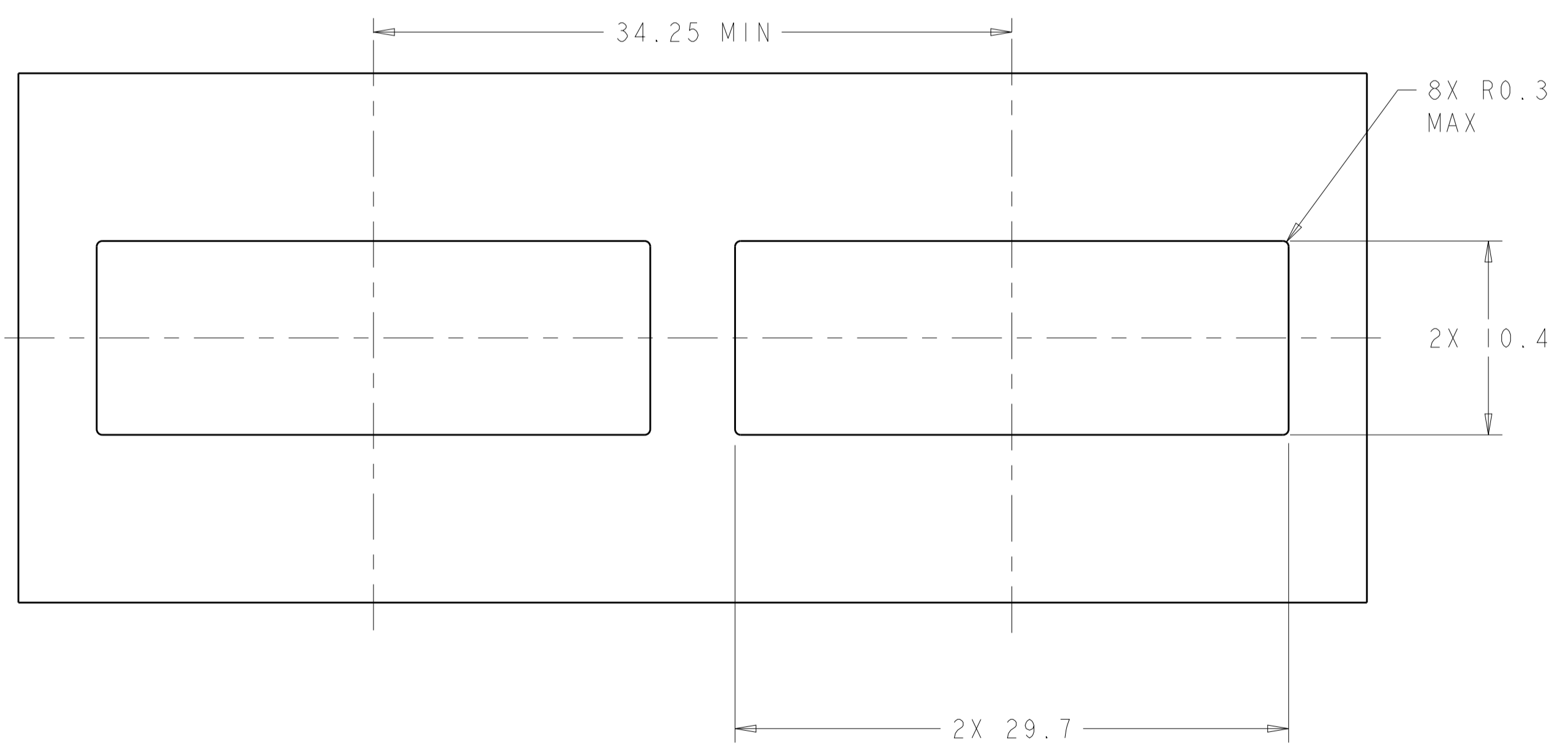
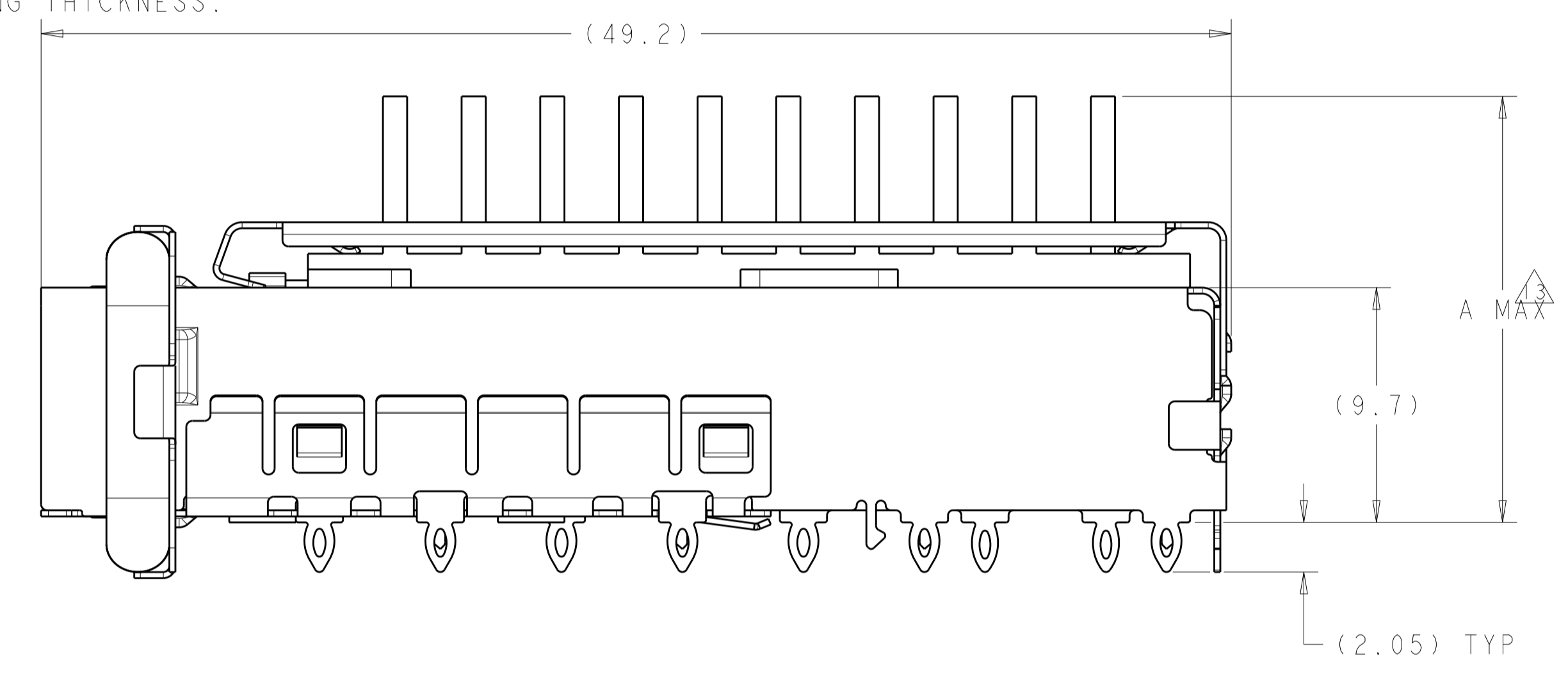
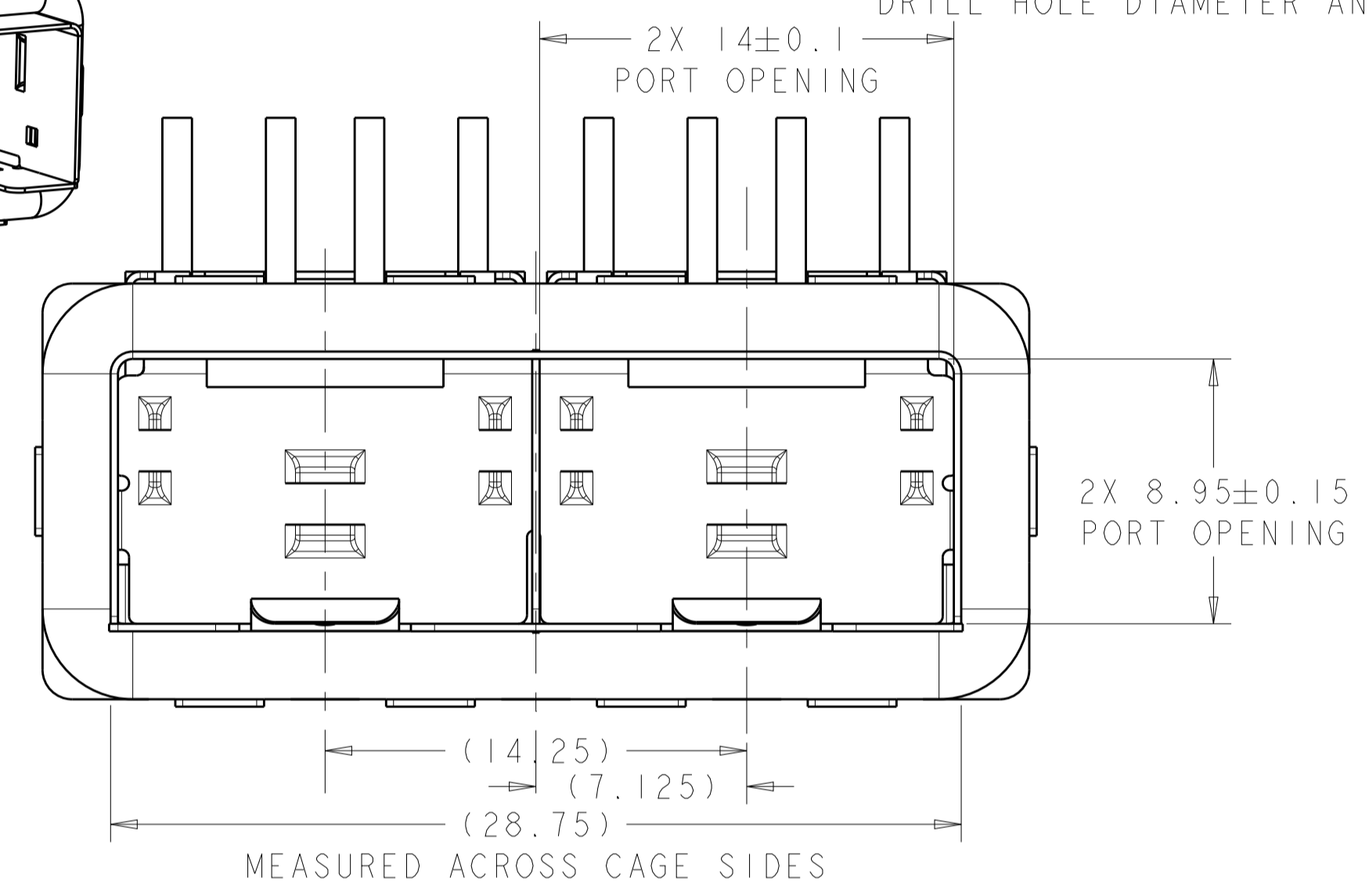
FIN TYPE HEAT SINK



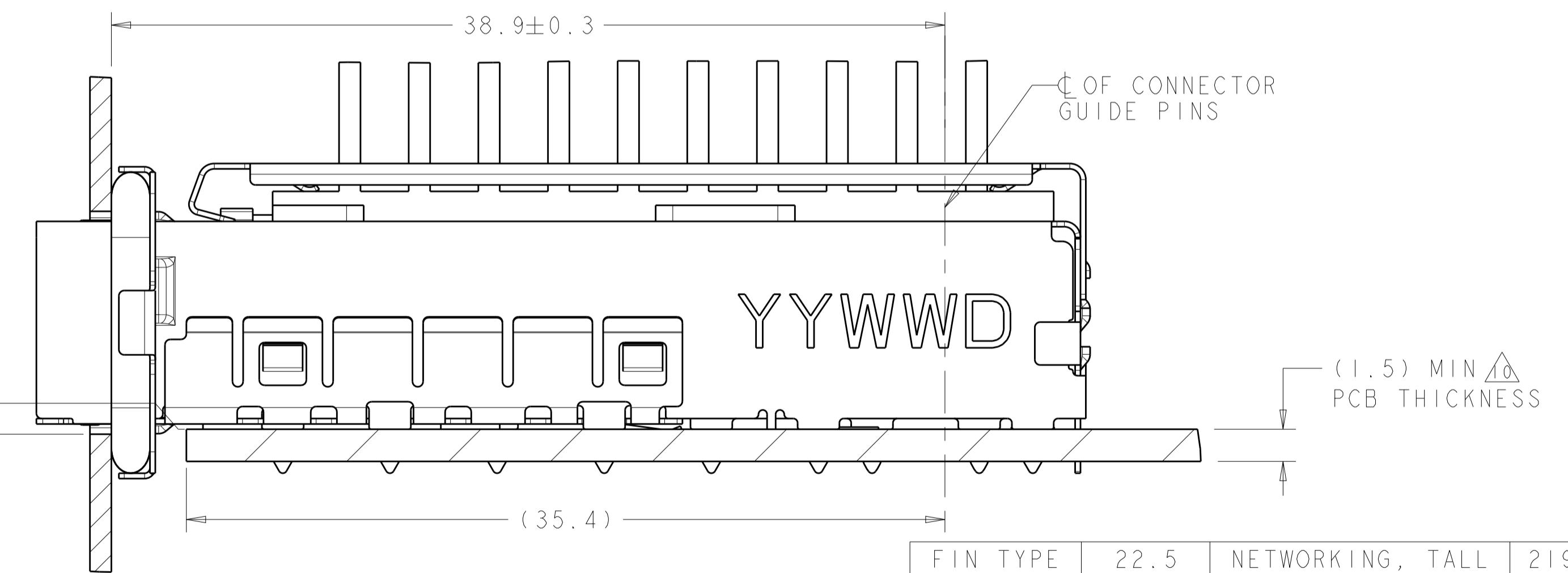
2198224-5,6,7,8
FINISHED ASSEMBLY

- 1 MATERIAL:
CAGE ASSEMBLY: 0.25mm THICK NICKEL SILVER ALLOY
GASKET RETENTION PLATE: STAINLESS STEEL
EMI GASKET: PLATED FILLED SILICONE
HEATHSINK CLIP: STAINLESS STEEL
HEATSINK: ALUMINUM
- 2 FINISH:
HEATSINK: ELECTROLESS NICKEL
HEATSINK CLIP: PASSIVATE
- 3 DATUM AND BASIC DIMENSIONS ESTABLISHED BY CUSTOMER.
- 4 PADS AND VIAS CHASSIS GROUND.
- 5. MATES WITH SFP MSA COMPLIANT RECIEVERS.
- 6. INTERPRETATION OF DATUM REFERENCE FRAME IN ACCORDANCE WITH SECT 4.4.1.1 OR ASME Y14.5M-1994.
- 7 HOLE PATTERN REPEATS FOR EACH PORT, SPACING BETWEEN PORTS IS 14.25mm.
- 8 REFERENCE APPLICATION SPEC. 114-13120, HOLE A, FOR RECOMMENDED DRILL HOLE DIAMETER AND PLATING THICKNESS.
- 9 REFERENCE APPLICATION SPEC. 114-13120, HOLE B, FOR RECOMMENDED DRILL HOLE DIAMETER AND PLATING THICKNESS.

- 10 MINIMUM PC BOARD THICKNESS:
SINGLE SIDED: 1.5mm
- 11. CERTAIN MATING TRANCEIVERS MAY REQUIRE ADDITIONAL PCB THICKNESS THAT WOULD NEED TO BE DETERMINED BY THE CUSTOMER.
- 12. PRODUCT COMPLIES WITH SPECIFICATION SFF-8433 IMPROVED PLUGGABLE FORM FACTOR FOR SFP+ GANGED CAGES.
- 13 DIMENSION APPLIES PRIOR TO INSERTION OF SFP MODULE.



RECOMMENDED BEZEL CUT-OUT
SINGLE SIDED APPLICATIONS
SCALE 4:1



2198224
MOUNTED ON PC BOARD
SHOWN THRU RECOMMENDED BEZEL

FIN TYPE	22.5	NETWORKING, TALL	2198224-8
FIN TYPE	18.1	NETWORKING, SHORT	2198224-7
FIN TYPE	15.5	SAN	2198224-6
FIN TYPE	13.2	PCI	2198224-5
PIN TYPE	22.5	NETWORKING, TALL	2198224-4
PIN TYPE	18.1	NETWORKING, SHORT	2198224-3
PIN TYPE	15.5	SAN	2198224-2
PIN TYPE	13.2	PCI	2198224-1
HEAT SINK	A MAX	APPLICATION	PART NUMBER

THIS DRAWING IS A CONTROLLED DOCUMENT.

DIMENSIONS: mm

TOLERANCES UNLESS OTHERWISE SPECIFIED:

0 PLC	±0.13
1 PLC	±0.1
2 PLC	±0.08
3 PLC	±0.05
4 PLC	±0.05
ANGLES	±0.5

MATERIAL: FINISH:

OWN: B. MATTHEWS (12OCT2011)
CHK: M. SCHMITT (12OCT2011)
APVD: M. SCHMITT (12OCT2011)

NAME: SFP+ ENHANCED 1X2 CAGE ASSEMBLY, PRESS-FIT, EMI GASKET WITH HEATSINK

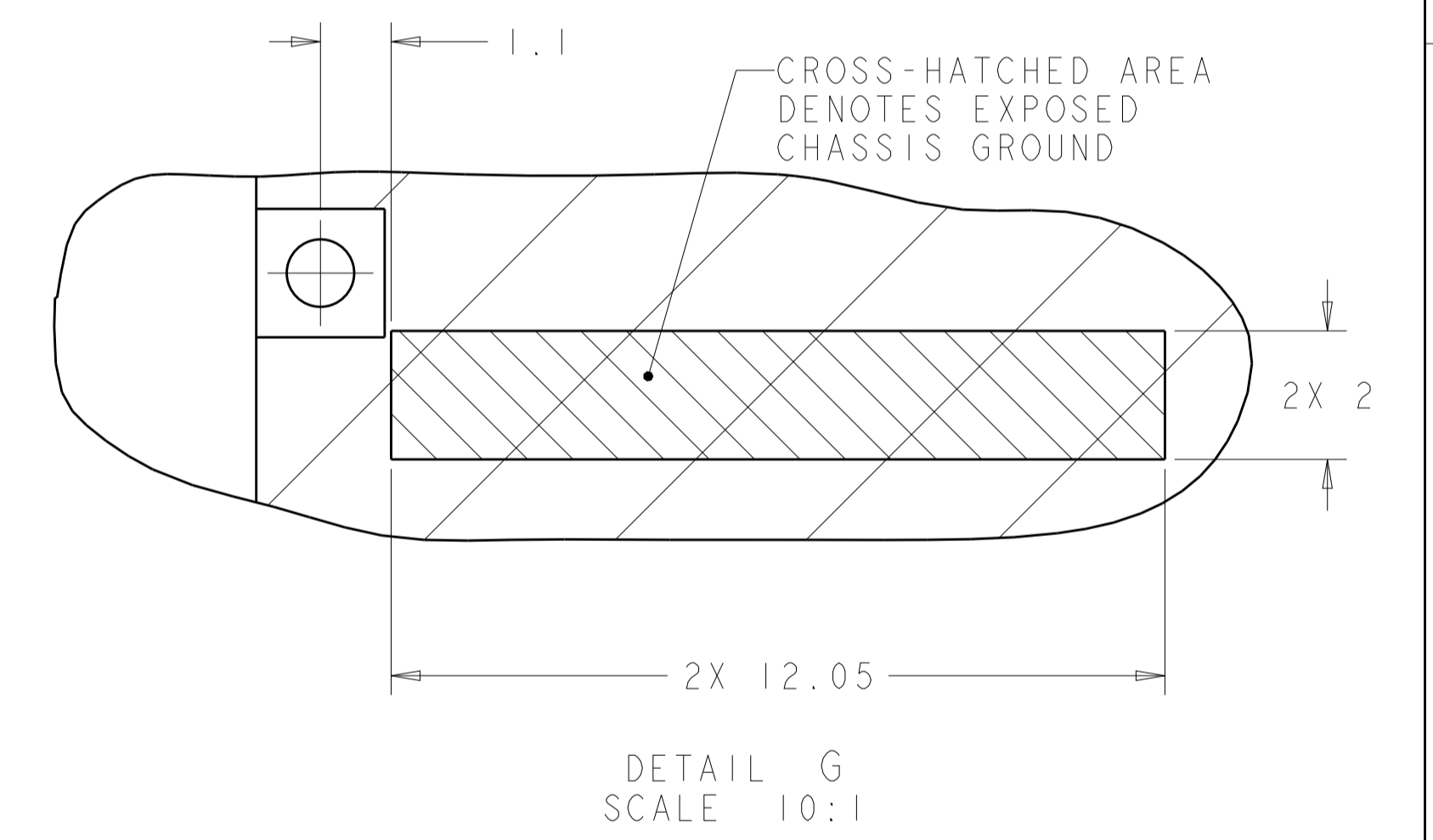
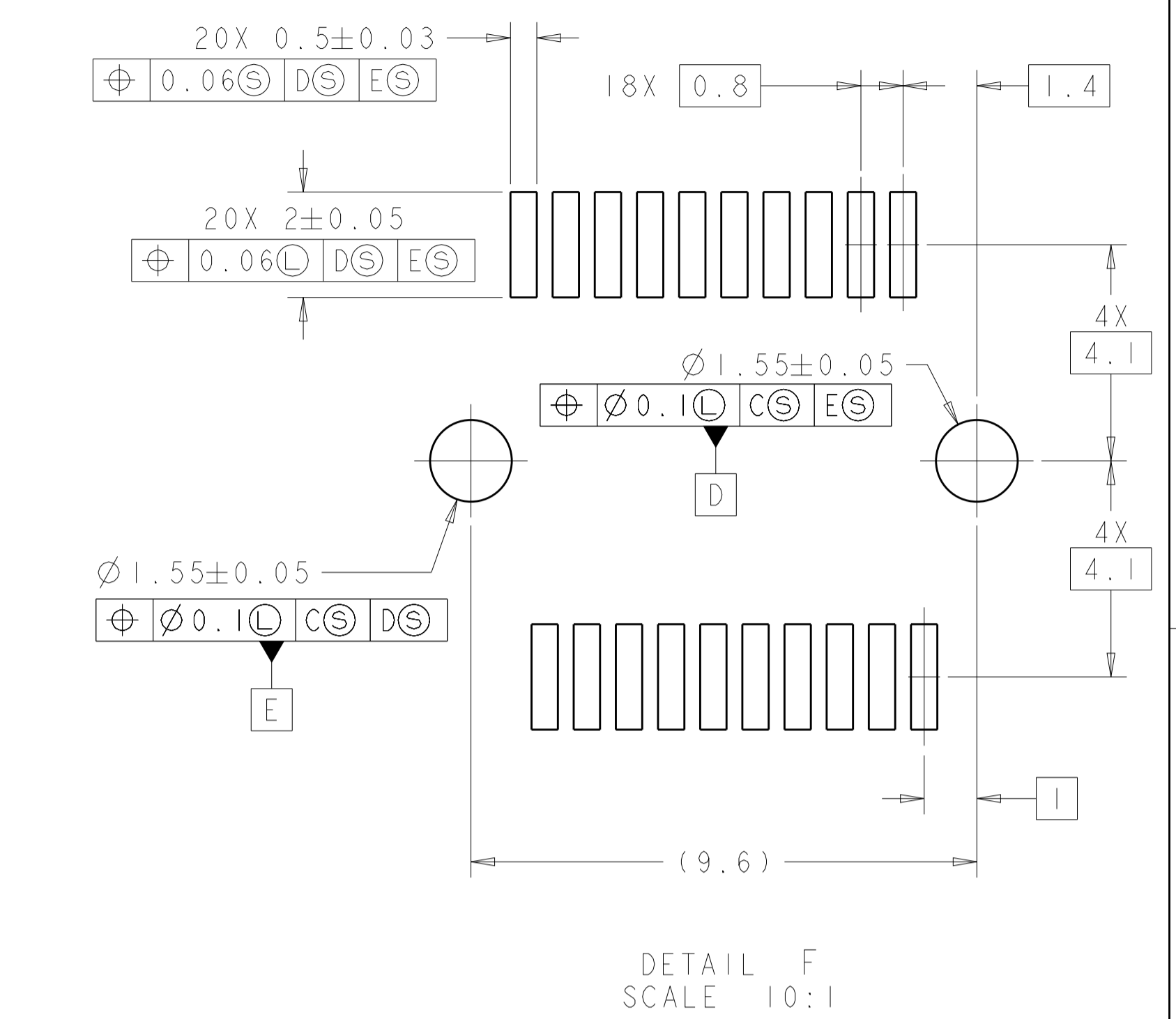
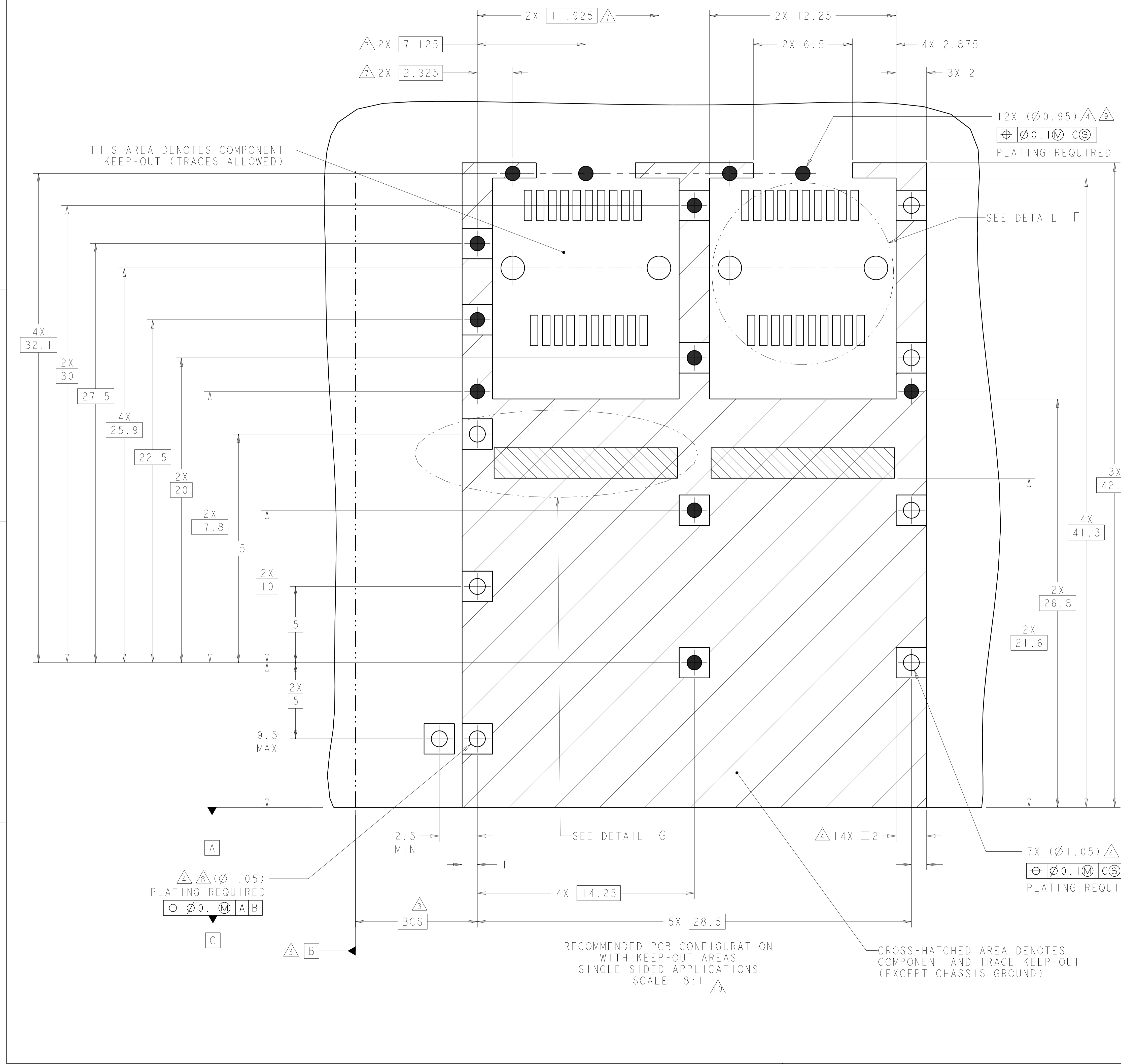
PRODUCT SPEC: 108-2364
APPLICATION SPEC: 114-13120

SIZE: CAGE CODE DRAWING NO: A100779C=2198224
WEIGHT: -

Customer Drawing SCALE: 5:1 SHEET 1 OF 2 REV: A1

TE Connectivity

LOC	DIST	REVISIONS			
GP	00	REV	DATE	BY	APPV
		1	SEE SHEET 1		



THIS DRAWING IS A CONTROLLED DOCUMENT.		OWN: B. MATTHEWS (20CT2011)	TE Connectivity
DIMENSIONS: mm		CHK: M. SCHMITT (120CT2011)	
TOLERANCES UNLESS OTHERWISE SPECIFIED:		APVD: M. SCHMITT (120CT2011)	NAME: SFP+ ENHANCED 1X2 CAGE ASSEMBLY, PRESS-FIT, EMI GASKET WITH HEATSINK
0 PLC ±0.13	1 PLC ±0.1	PRODUCT SPEC 108-2364	SIZE: CAGE CODE DRAWING NO. RESTRICTED TO
2 PLC ±0.08	3 PLC ±0.05	APPLICATION SPEC 114-13120	A100779C=2198224
4 PLC ±0.05	ANGLES ±0.1	WEIGHT	SCALE 5:1 SHEET 2 OF 2 REV A1
MATERIAL	FINISH	Customer Drawing	