



Chipsmall Limited consists of a professional team with an average of over 10 year of expertise in the distribution of electronic components. Based in Hongkong, we have already established firm and mutual-benefit business relationships with customers from,Europe,America and south Asia,supplying obsolete and hard-to-find components to meet their specific needs.

With the principle of “Quality Parts,Customers Priority,Honest Operation,and Considerate Service”,our business mainly focus on the distribution of electronic components. Line cards we deal with include Microchip,ALPS,ROHM,Xilinx,Pulse,ON,Everlight and Freescale. Main products comprise IC,Modules,Potentiometer,IC Socket,Relay,Connector.Our parts cover such applications as commercial,industrial, and automotives areas.

We are looking forward to setting up business relationship with you and hope to provide you with the best service and solution. Let us make a better world for our industry!



Contact us

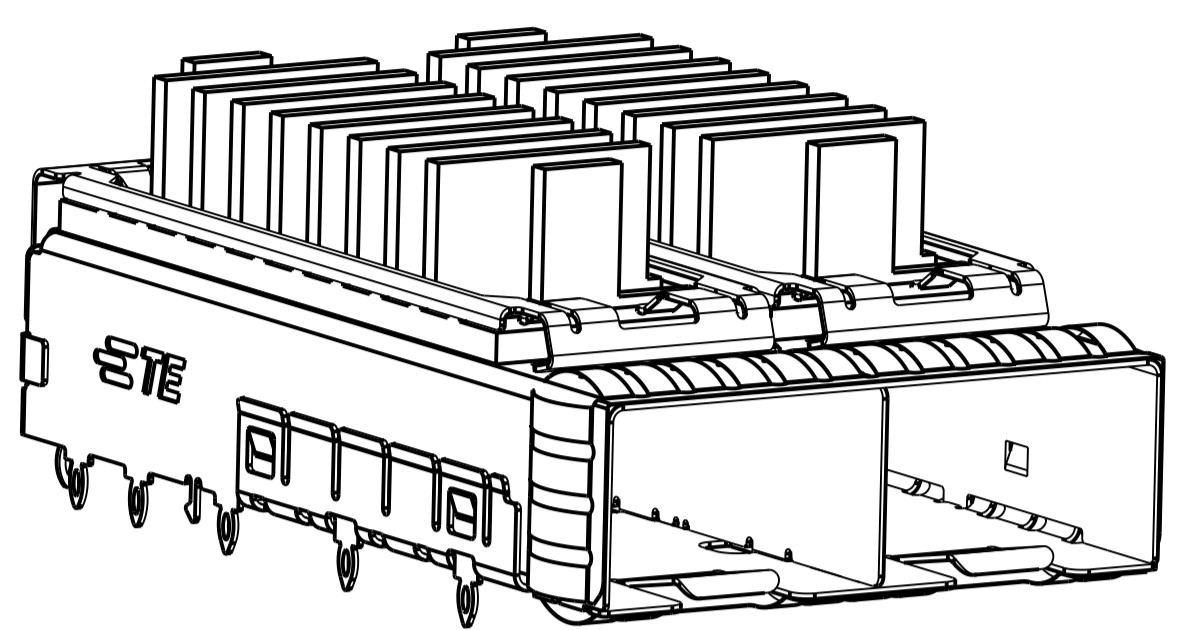
Tel: +86-755-8981 8866 Fax: +86-755-8427 6832

Email & Skype: info@chipsmall.com Web: www.chipsmall.com

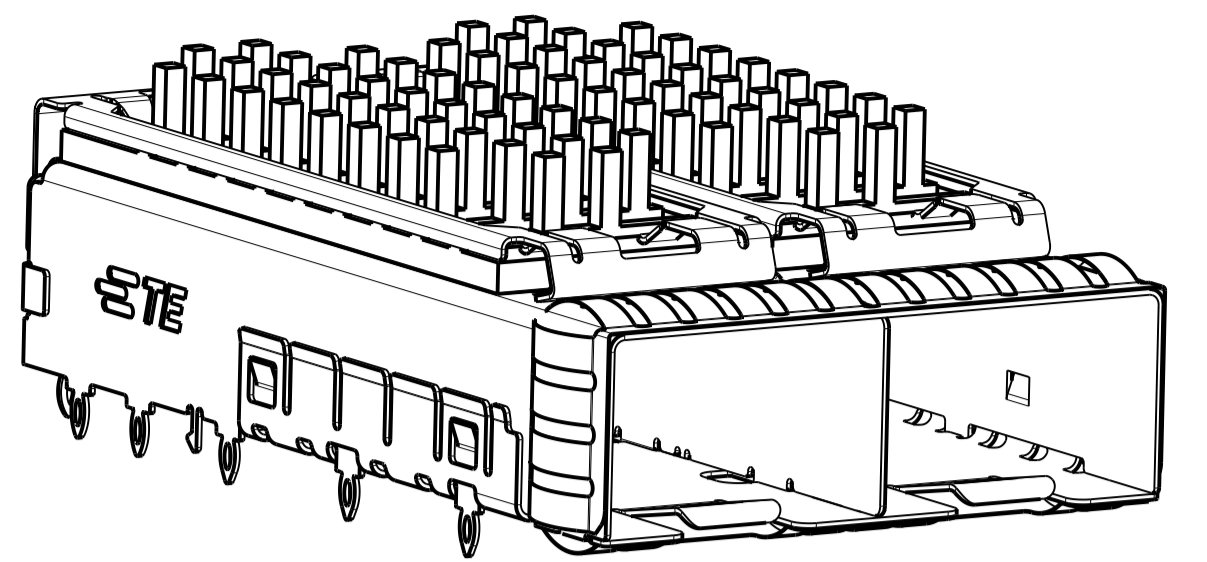
Address: A1208, Overseas Decoration Building, #122 Zhenhua RD., Futian, Shenzhen, China



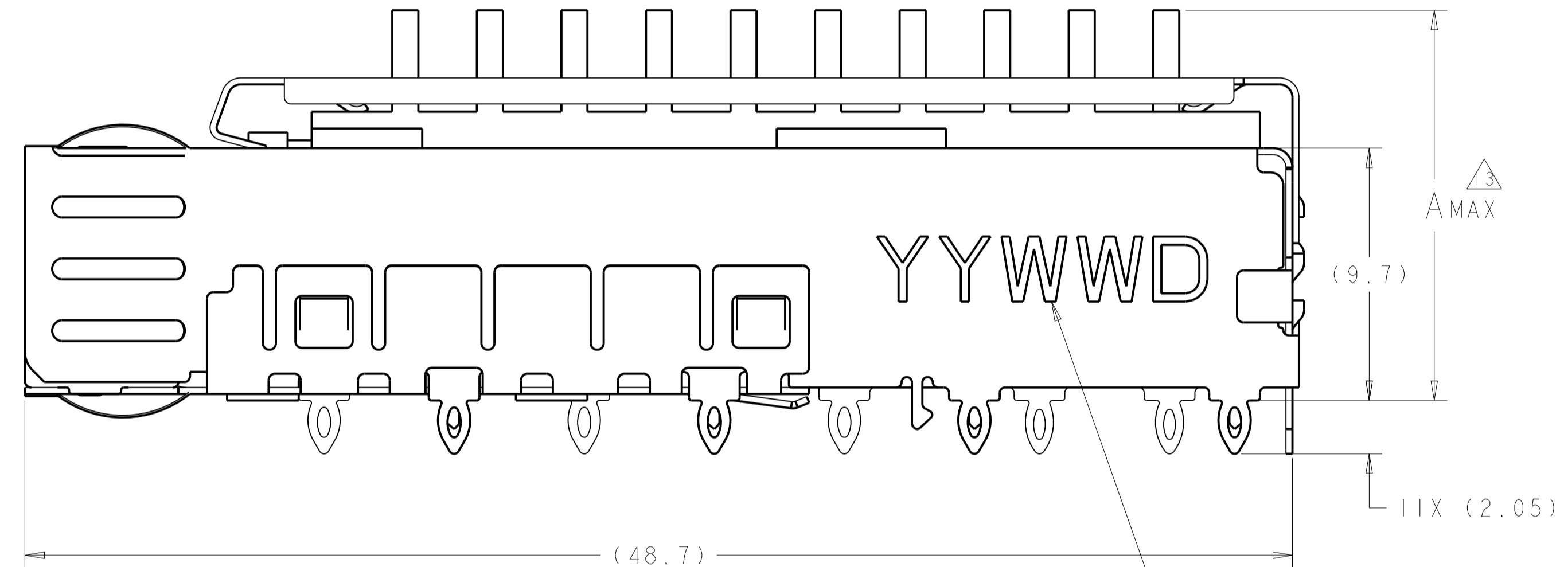
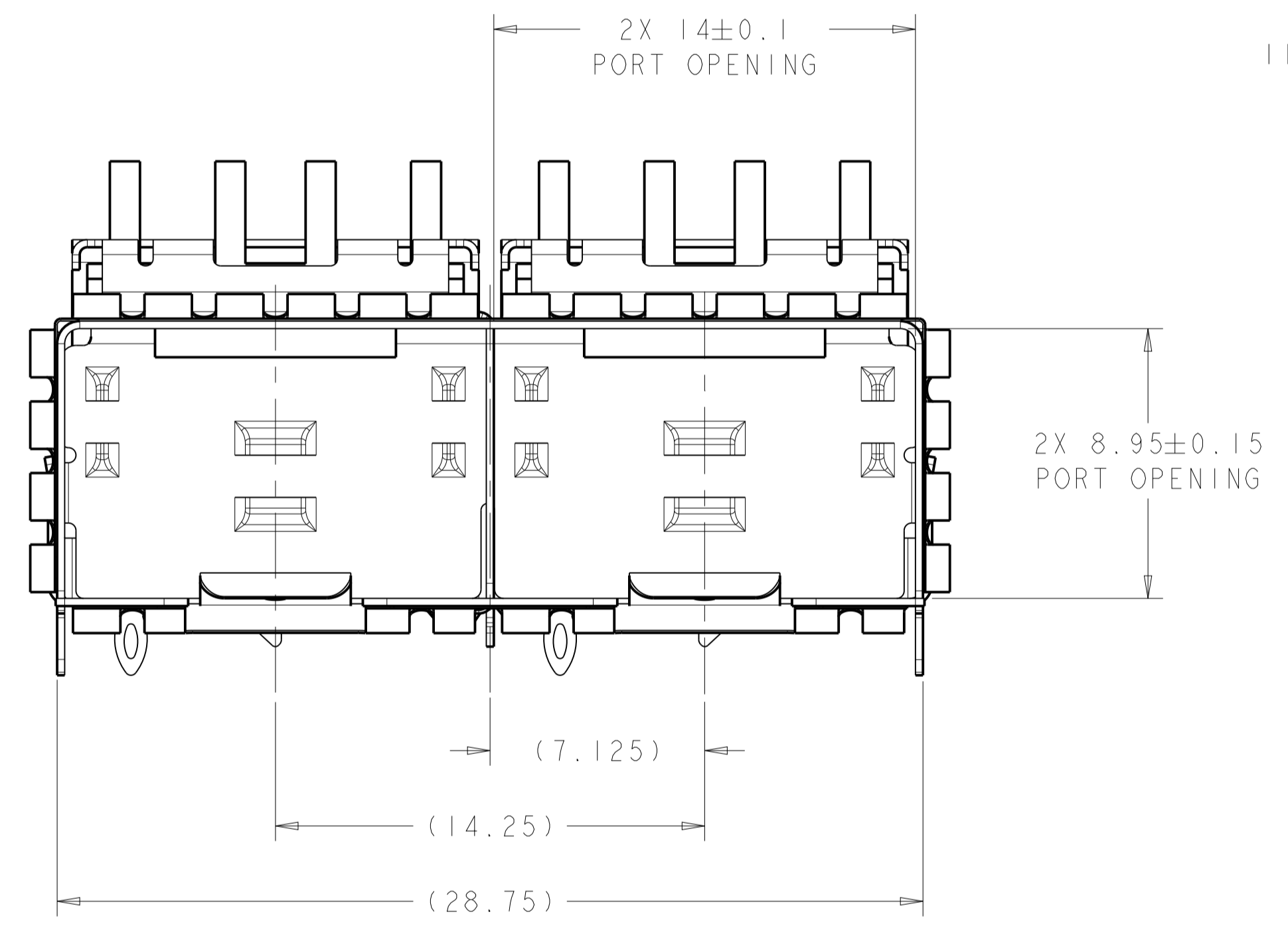
LOC	DIST	REVISIONS					
GP	00	P	LTN	DESCRIPTION	DATE	DWN	APVD
		A		RELEASED PER ECO-12-013192	27SEP2012	BMM	MRS
		A1		RELEASED PER ECO-13-014600	12SEP2013	PP	SH
		A2		RELEASED PER ECO-14-008488	06MAY2014	PP	SH



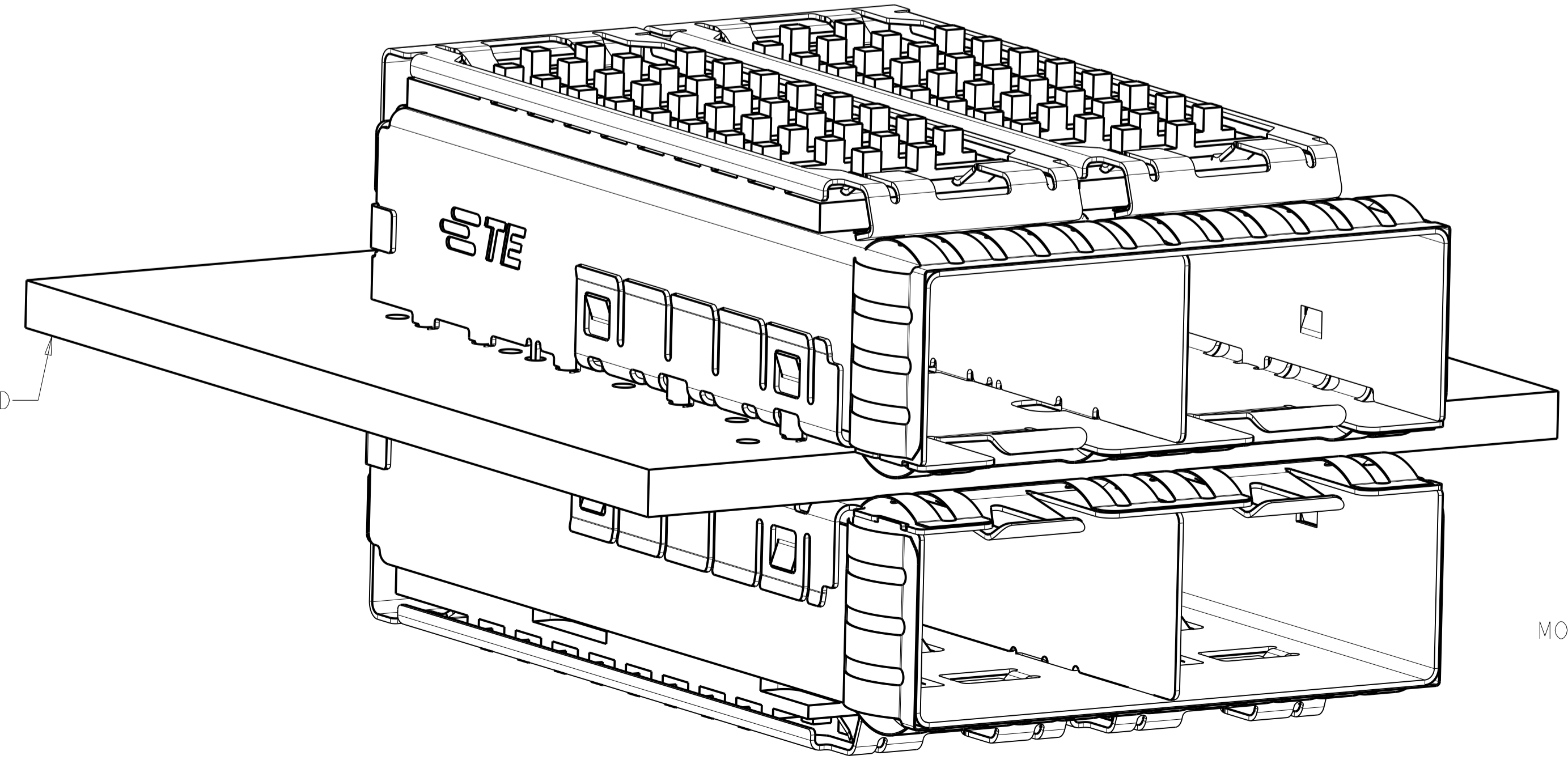
2198230-5,6,7,8
FINISHED ASSEMBLY WITH
FIN TYPE HEAT SINK



2198230-1,2,3,4
FINISHED ASSEMBLY WITH
PIN TYPE HEAT SINK



APPROXIMATE LOCATION OF DATE CODE



2198230-1
MOUNTED BELLY TO BELLY
SCALE 5:1

- △ MATERIAL:
CAGE ASSEMBLY: 0.25mm THICK NICKEL SILVER ALLOY
EMI SPRINGS: COPPER ALLOY
HEAT SINK: ALUMINUM
HEAT SINK CLIP: STAINLESS STEEL.
- △ FINISH:
HEAT SINK: ELECTROLESS NICKEL
HEAT SINK CLIP: PASSIVATE.
EMI SPRINGS: 0.8µm MIN MATTE TIN OVER
0.8µm MIN NICKEL, NON-PLATED EDGES PERMISSIBLE.
- △ DATUM AND BASIC DIMENSIONS ESTABLISHED BY CUSTOMER.
- △ PADS AND VIAS CHASSIS GROUND.
- 5. MATES WITH SFP MSA COMPLIANT RECIEVERS.
- 6. INTERPRETATION OF DATUM REFERENCE FRAME IN ACCORDANCE WITH SECT 4.4.1.1 OR ASME Y14.5M-1994.
- △ MINIMUM PC BOARD THICKNESS:
SINGLE SIDED: 1.5mm
DOUBLE SIDED: 2.25mm
- △ HOLE PATTERN REPEATS FOR EACH PORT, SPACING BETWEEN PORTS IS 14.25mm.
- △ REFERENCE APPLICATION SPEC. 114-13120, HOLE A, FOR RECOMMENDED DRILL HOLE DIAMETER AND PLATING THICKNESS.
- △ REFERENCE APPLICATION SPEC. 114-13120, HOLE B, FOR RECOMMENDED DRILL HOLE DIAMETER AND PLATING THICKNESS.
- 11. CERTAIN MATING TRANCEIVERS MAY REQUIRE ADDITIONAL PCB THICKNESS THAT WOULD NEED TO BE DETERMINED BY THE CUSTOMER.

- 12. PRODUCT COMPLIES WITH SPECIFICATION SFF-8433 IMPROVED PLUGGABLE FORM FACTOR FOR SFP+ GANGED CAGES.
- △ 13. DIMENSION APPLIES PRIOR TO INSERTION OF SFP MODULE.

FIN TYPE	FIN TYPE	DESCRIPTION	PART NUMBER
22.5	NETWORKING, TALL		2198230-8
18.1	NETWORKING, SHORT		2198230-7
15.5	SAN		2198230-6
13.2	PCI		2198230-5
PIN TYPE	22.5	NETWORKING, TALL	2198230-4
PIN TYPE	18.1	NETWORKING, SHORT	2198230-3
PIN TYPE	15.5	SAN	2198230-2
PIN TYPE	13.2	PCI	2198230-1
HEAT SINK	A 13	DESCRIPTION	PART NUMBER

THIS DRAWING IS A CONTROLLED DOCUMENT.

DWN: C. VALENTINE 06OCT2011
CHK: M. SCHMITT 06OCT2011
APVD: M. SCHMITT 06OCT2011

TE Connectivity

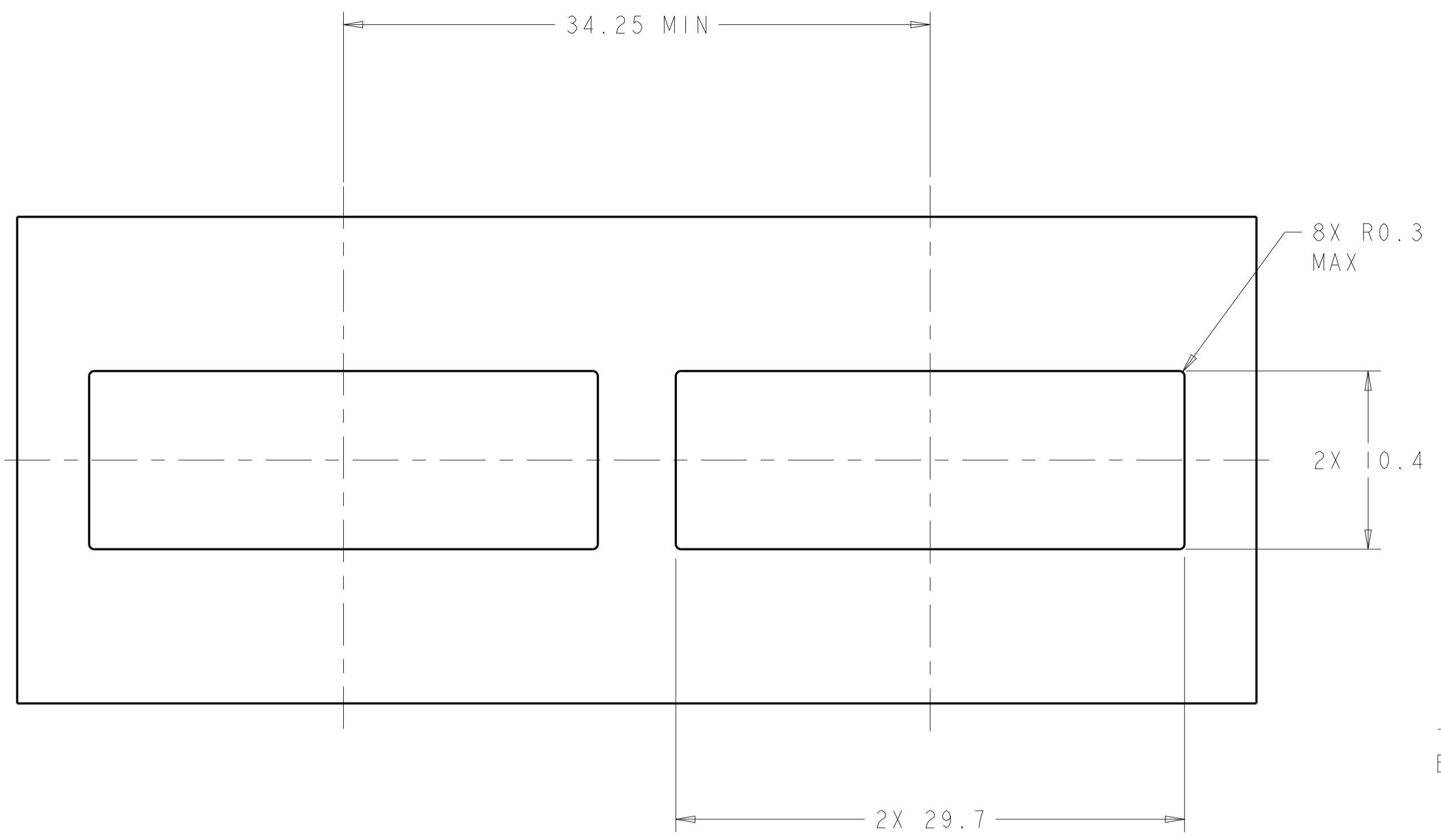
SFP+ ENHANCED 1X2 CAGE ASSEMBLY, PRESS-FIT, EMI SPRINGS, HEAT SINK

108-2364
APPLICATION SPEC 114-13120

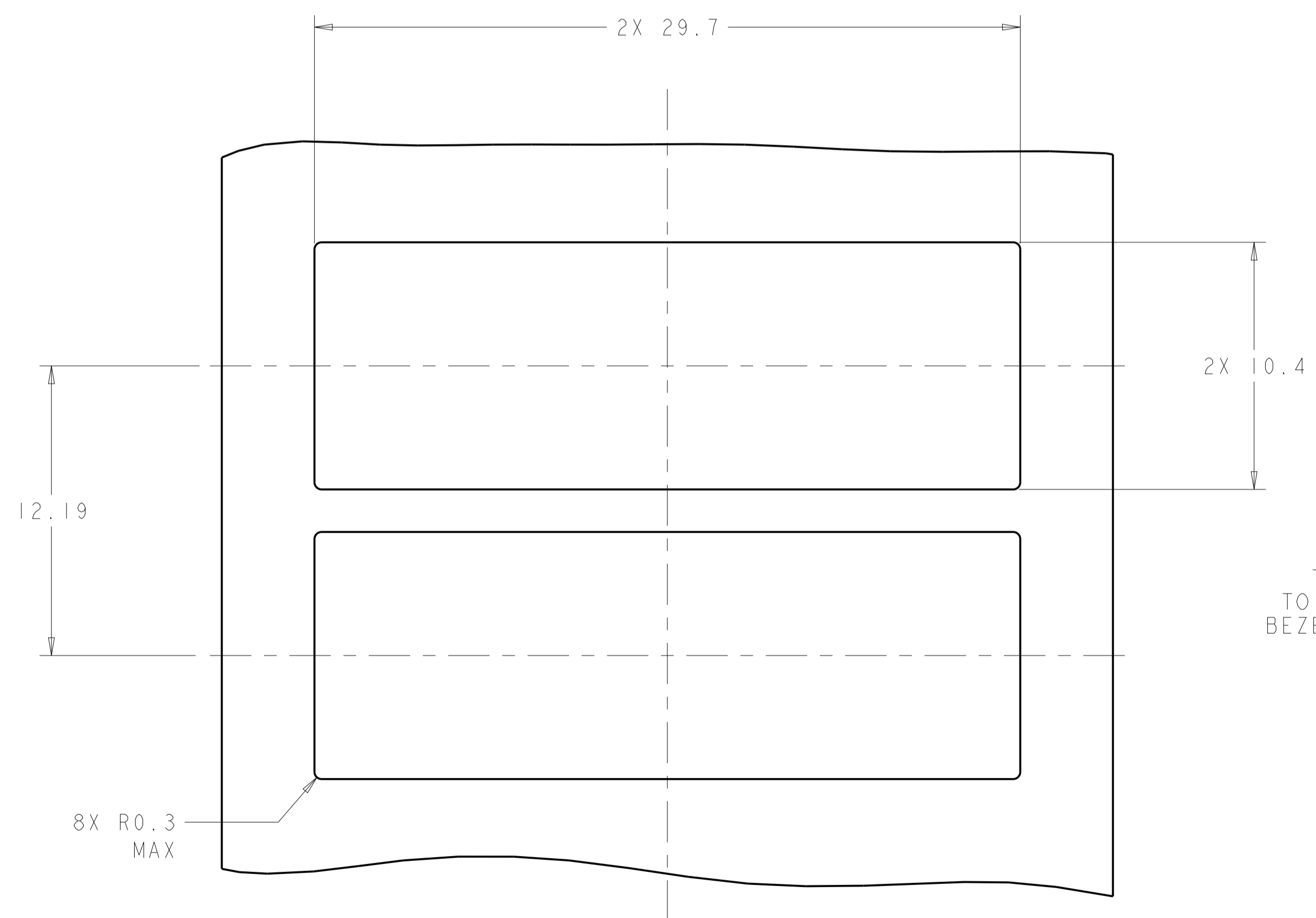
SIZE: A1 CAGE CODE: 100779 DRAWING NO: 2198230

Customer Drawing SCALE: 6:1 SHEET 1 OF 4 REV: A2

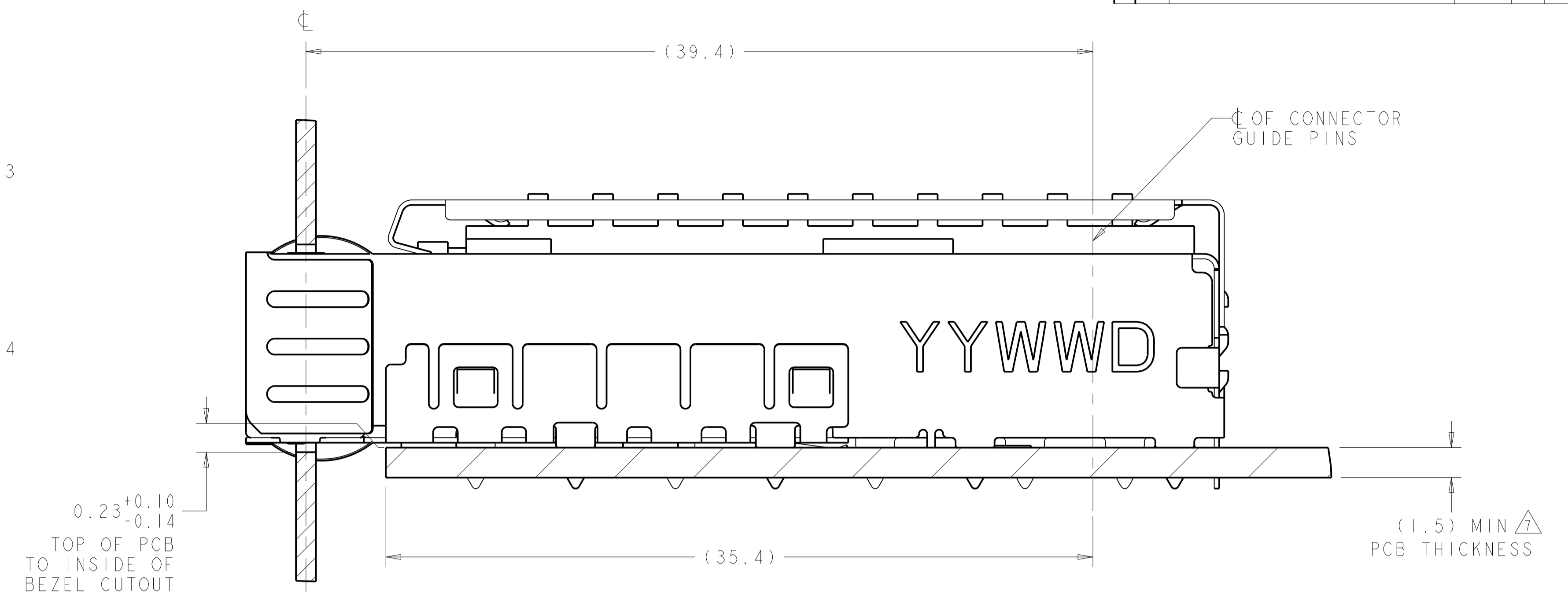
LOC		DIST		REVISIONS			
GP	00	P	LTN	DESCRIPTION	DATE	DMN	APVD
-	-	-	-	SEE SHEET 1	-	-	-



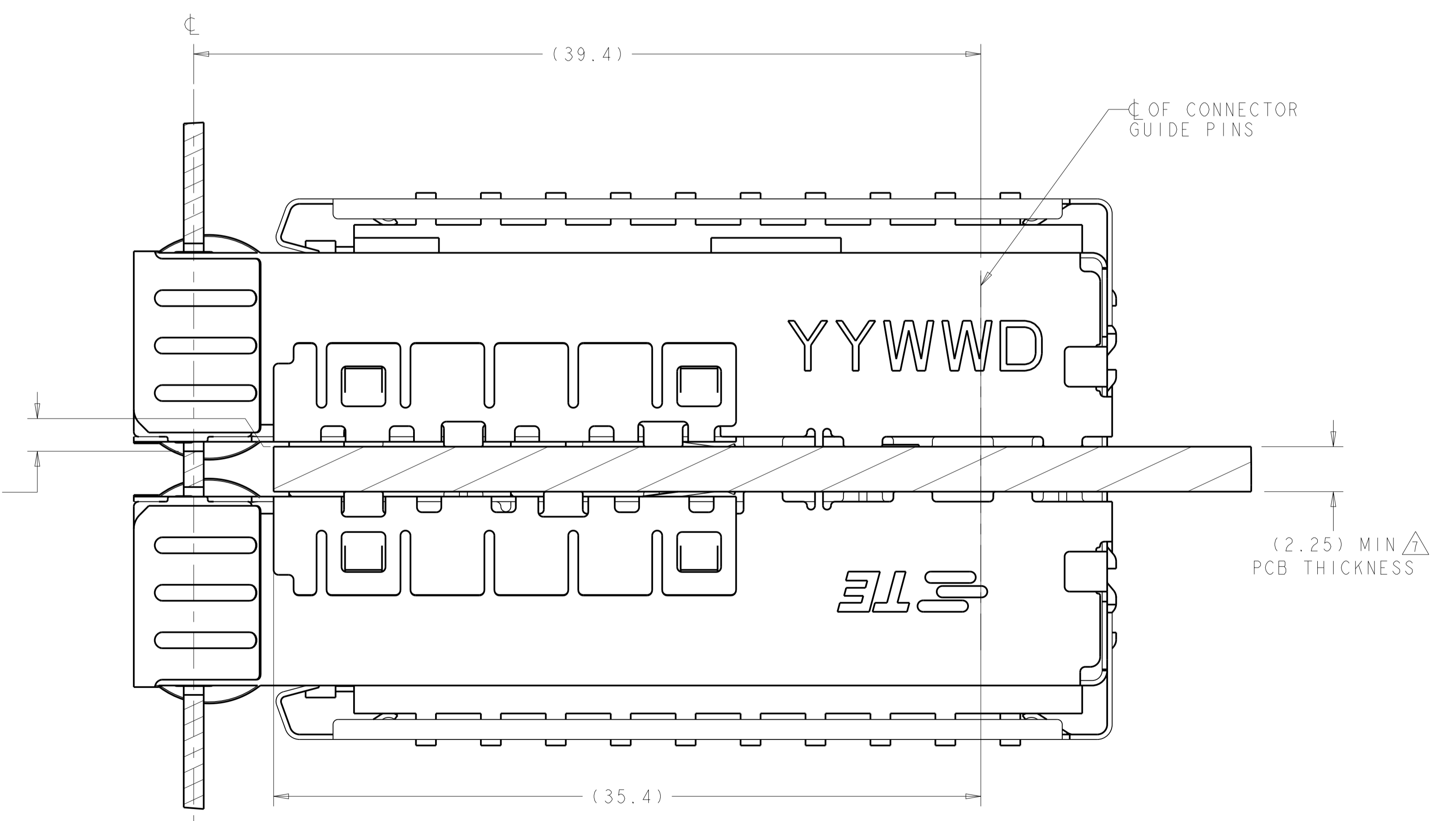
RECOMMENDED BEZEL CUT-OUT
 SINGLE SIDED APPLICATIONS
 SCALE 4:1



RECOMMENDED BEZEL CUT-OUT
 BELLY TO BELLY APPLICATIONS



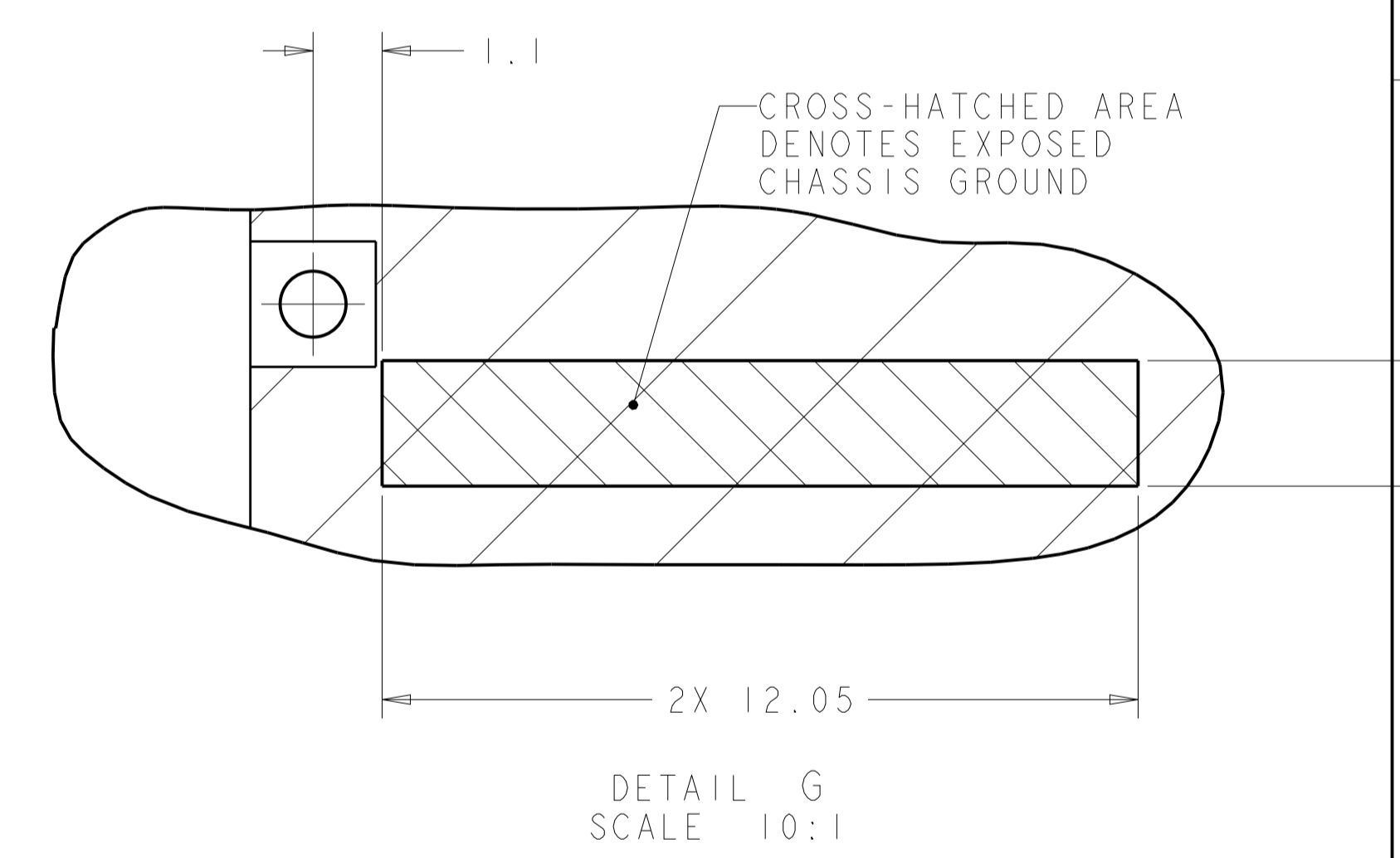
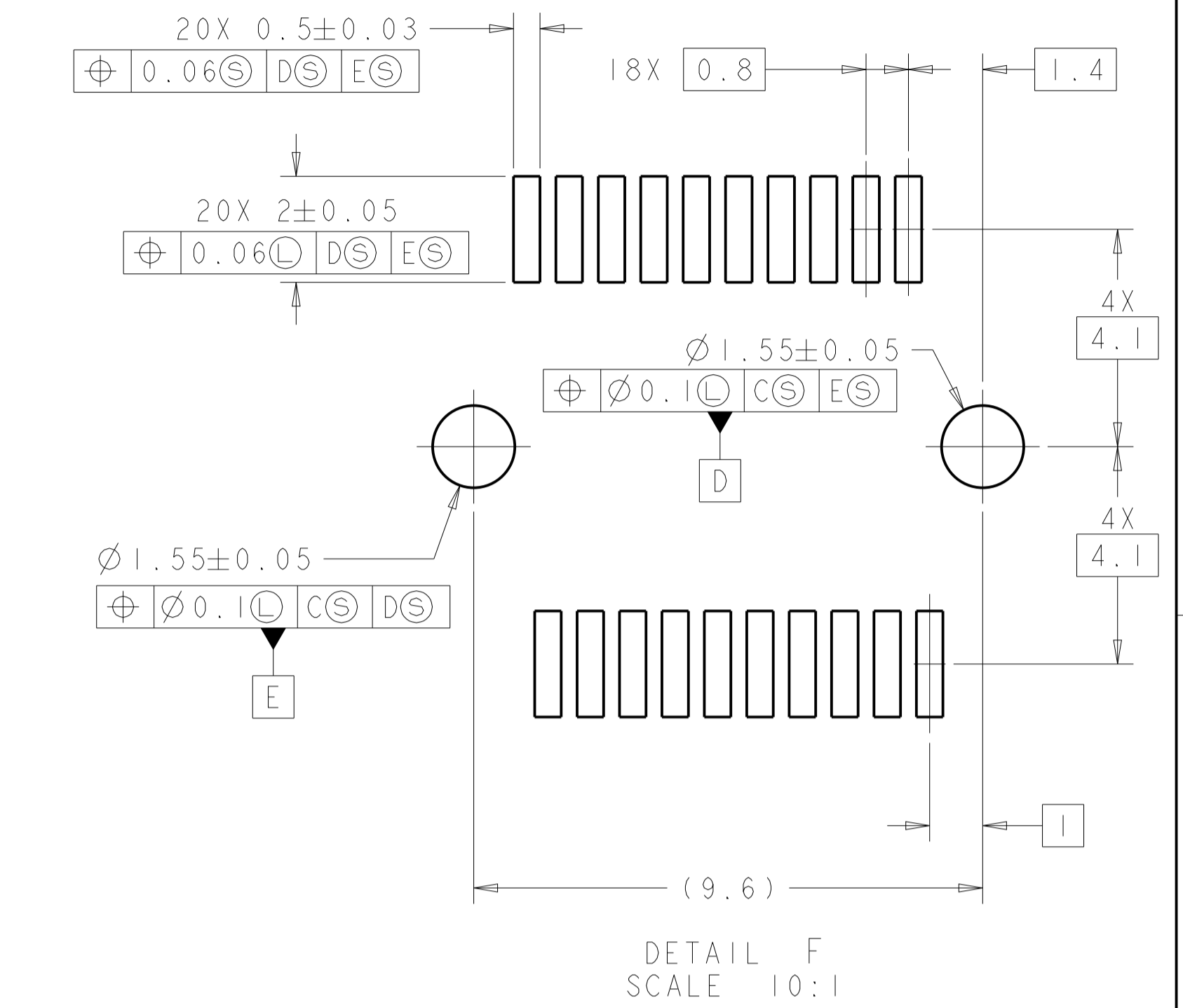
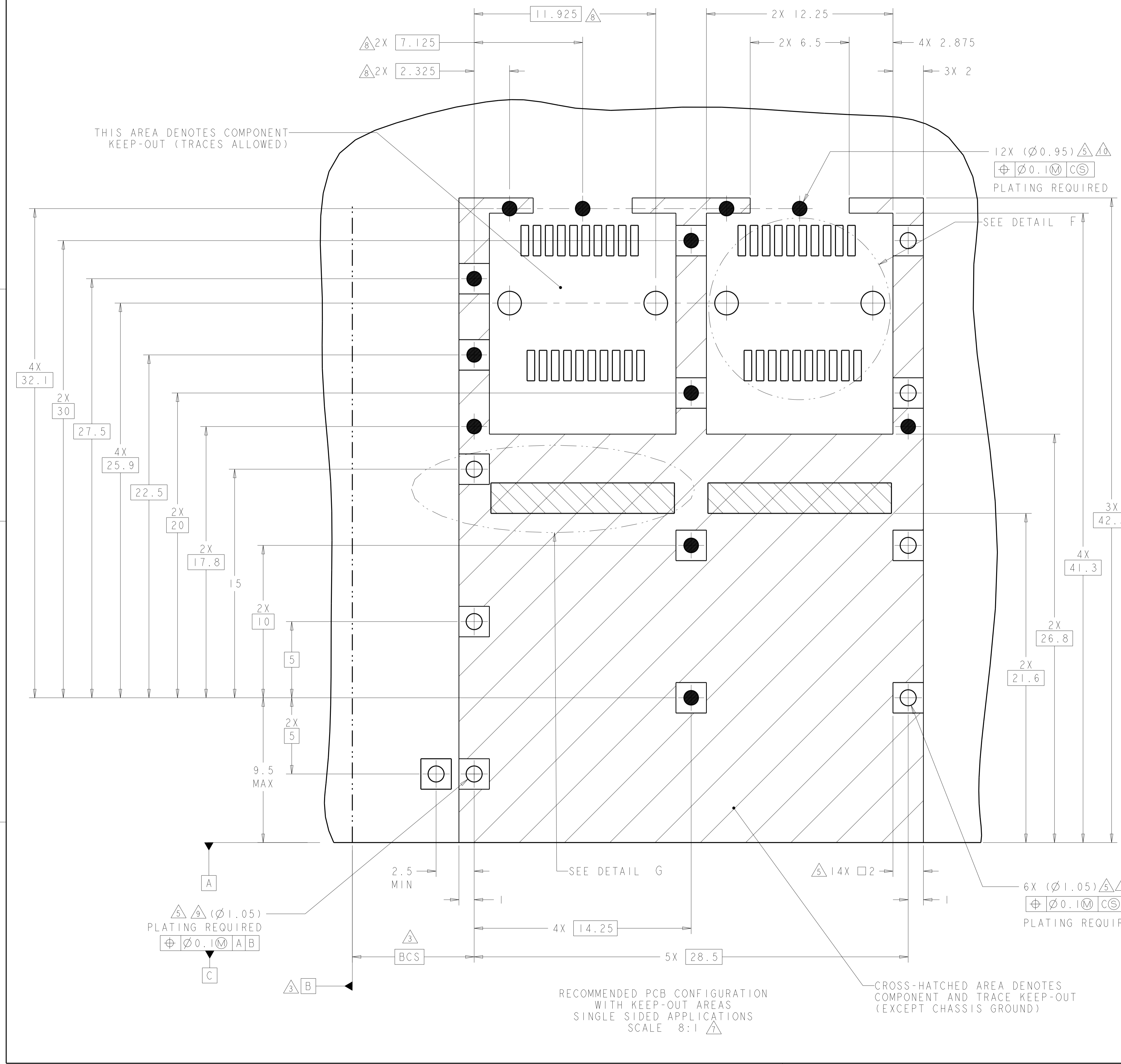
2198230-1
 MOUNTED ON PC BOARD
 SHOWN THRU RECOMMENDED BEZEL



2198230-1
 MOUNTED BELLY TO BELLY ON PC BOARD
 SHOWN THRU RECOMMENDED BEZEL

THIS DRAWING IS A CONTROLLED DOCUMENT.		DMN C. VALENTINE 06OCT2011	TE Connectivity NAME SFP+ ENHANCED 1X2 CAGE ASSEMBLY, PRESS-FIT, EMI SPRINGS, HEAT SINK
DIMENSIONS:		CHK M. SCHMITT 06OCT2011	
mm	TOLERANCES UNLESS OTHERWISE SPECIFIED: 0 PLC ±0.13 1 PLC ±0.1 2 PLC ±0.08 3 PLC ±0.05 4 PLC ±0.05 ANGLES ±0.5	APVD M. SCHMITT 06OCT2011	PRODUCT SPEC 108-2364 APPLICATION SPEC 114-13120
MATERIAL		FINISH	SIZE A100779 CAGE CODE DRAWING NO 2198230 WEIGHT - Customer Drawing
SCALE 6:1 SHEET 2 OF 4 REV A2			RESTRICTED TO

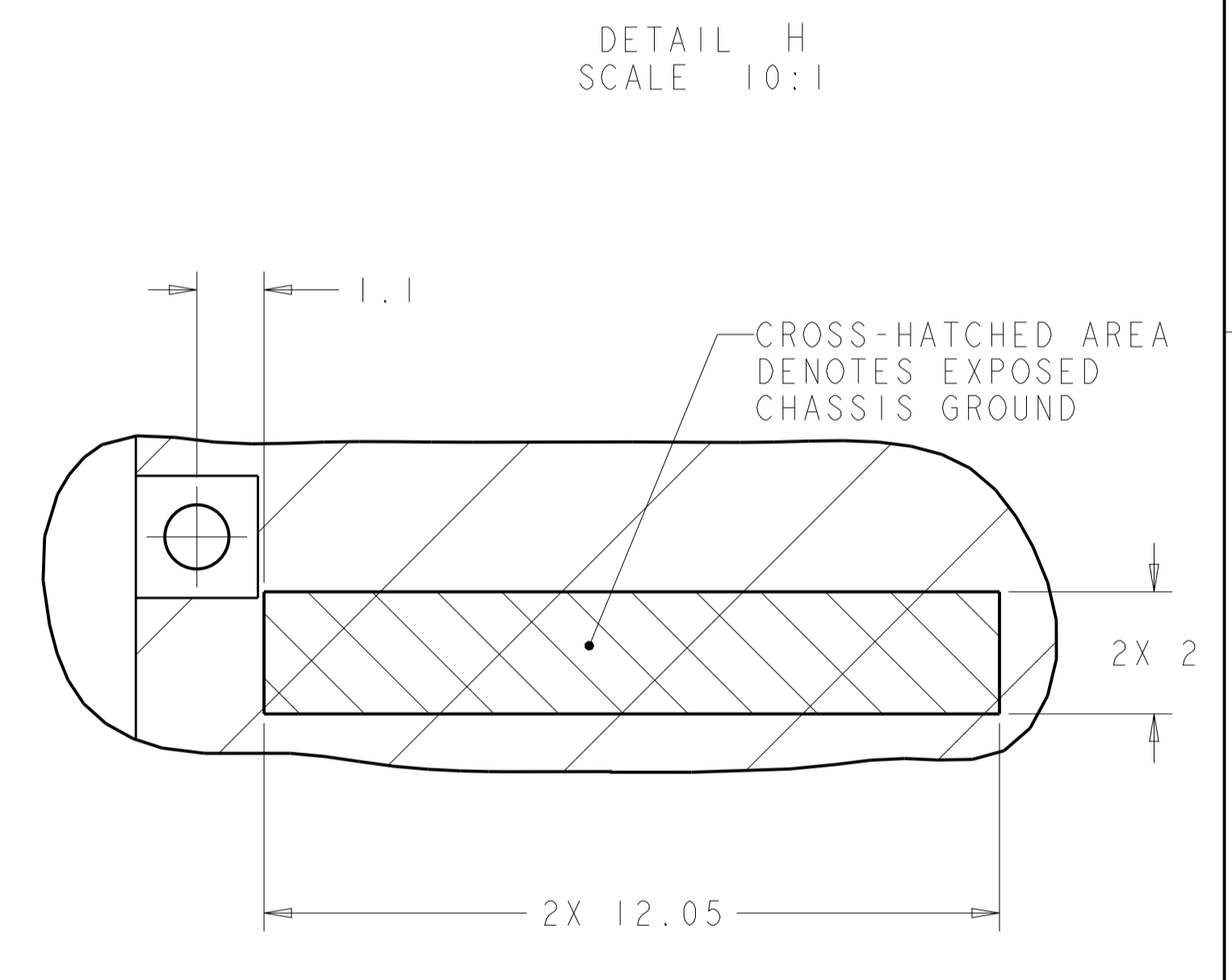
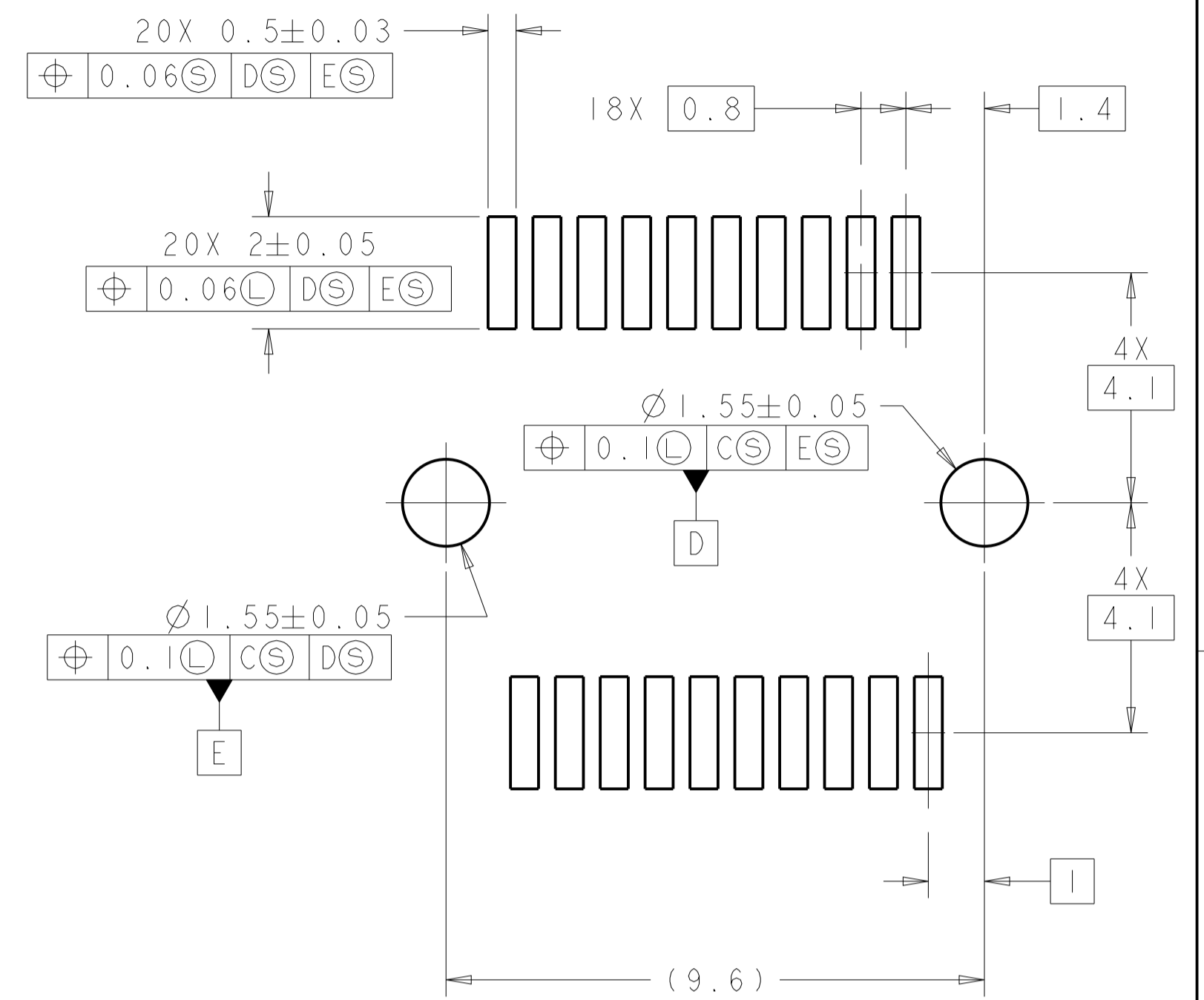
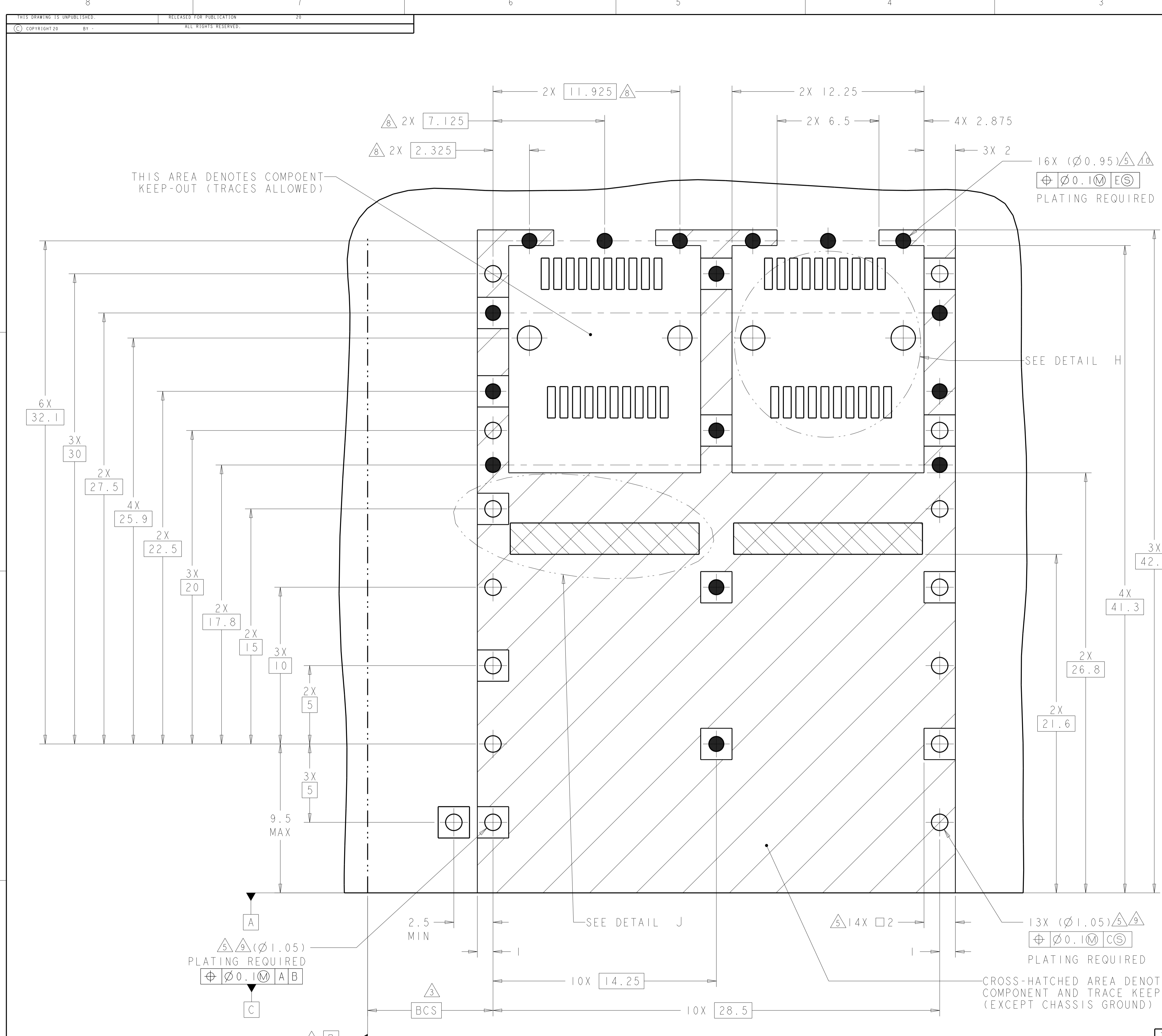
LOC	DIST	REV	DATE	BY	APPV
GP	00				



THIS DRAWING IS A CONTROLLED DOCUMENT.		OWN: C. VALENTINE 06OCT2011	TE Connectivity
DIMENSIONS: mm		CHK: M. SCHMITT 06OCT2011	
TOLERANCES UNLESS OTHERWISE SPECIFIED:		APV: M. SCHMITT 06OCT2011	NAME: SFP+ ENHANCED 1X2 CAGE ASSEMBLY, PRESS-FIT, EMI SPRINGS, HEAT SINK PRODUCT SPEC: 108-2364 APPLICATION SPEC: 114-13120
0 PLC ±0.13 1 PLC ±0.1 2 PLC ±0.08 3 PLC ±0.05 4 PLC ±0.05 ANGLES ±0.5		WEIGHT: - SCALE: 6:1 SHEET 3 OF 4 REV: A2	
MATERIAL: FINISH: -		SIZE: CAGE CODE DRAWING NO: A100779C=2198230 CUSTOMER DRAWING	RESTRICTED TO: -

LOC	DIST	REV	DATE	APPV
GP	00			

REV	DATE	APPV	DESCRIPTION
-	-	-	SEE SHEET 1



THIS AREA DENOTES COMPONENT KEEP-OUT (TRACES ALLOWED)

SEE DETAIL H

SEE DETAIL J

CROSS-HATCHED AREA DENOTES COMPONENT AND TRACE KEEP-OUT (EXCEPT CHASSIS GROUND)

RECOMMENDED PCB CONFIGURATION WITH KEEP-OUT AREAS BELLY TO BELLY APPLICATIONS SCALE 8:1

THIS DRAWING IS A CONTROLLED DOCUMENT.		OWN: C. VALENTINE 06OCT2011	TE Connectivity
DIMENSIONS: mm		CHK: M. SCHMITT 06OCT2011	
TOLERANCES UNLESS OTHERWISE SPECIFIED:		APV: M. SCHMITT 06OCT2011	NAME: SFP+ ENHANCED 1X2 CAGE ASSEMBLY, PRESS-FIT, EMI SPRINGS, HEAT SINK
0 PLC ±0.13	1 PLC ±0.1	PRODUCT SPEC 108-2364	SIZE: CAGE CODE DRAWING NO. RESTRICTED TO
2 PLC ±0.08	3 PLC ±0.05	APPLICATION SPEC 114-13120	A100779C=2198230
4 PLC ±0.05	ANGLES ±0.1	WEIGHT	SCALE 6:1 SHEET 4 OF 4 REV A2
MATERIAL	FINISH	Customer Drawing	