



Chipsmall Limited consists of a professional team with an average of over 10 year of expertise in the distribution of electronic components. Based in Hongkong, we have already established firm and mutual-benefit business relationships with customers from,Europe,America and south Asia,supplying obsolete and hard-to-find components to meet their specific needs.

With the principle of “Quality Parts,Customers Priority,Honest Operation,and Considerate Service”,our business mainly focus on the distribution of electronic components. Line cards we deal with include Microchip,ALPS,ROHM,Xilinx,Pulse,ON,Everlight and Freescale. Main products comprise IC,Modules,Potentiometer,IC Socket,Relay,Connector.Our parts cover such applications as commercial,industrial, and automotives areas.

We are looking forward to setting up business relationship with you and hope to provide you with the best service and solution. Let us make a better world for our industry!



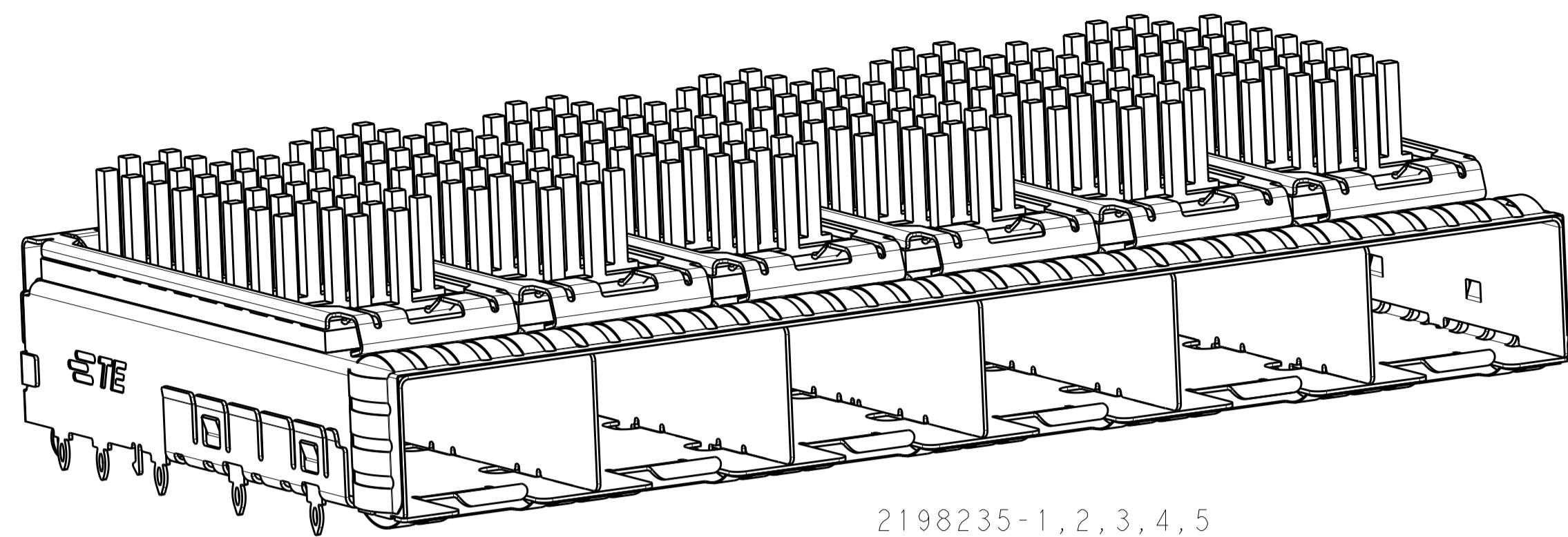
## Contact us

Tel: +86-755-8981 8866 Fax: +86-755-8427 6832

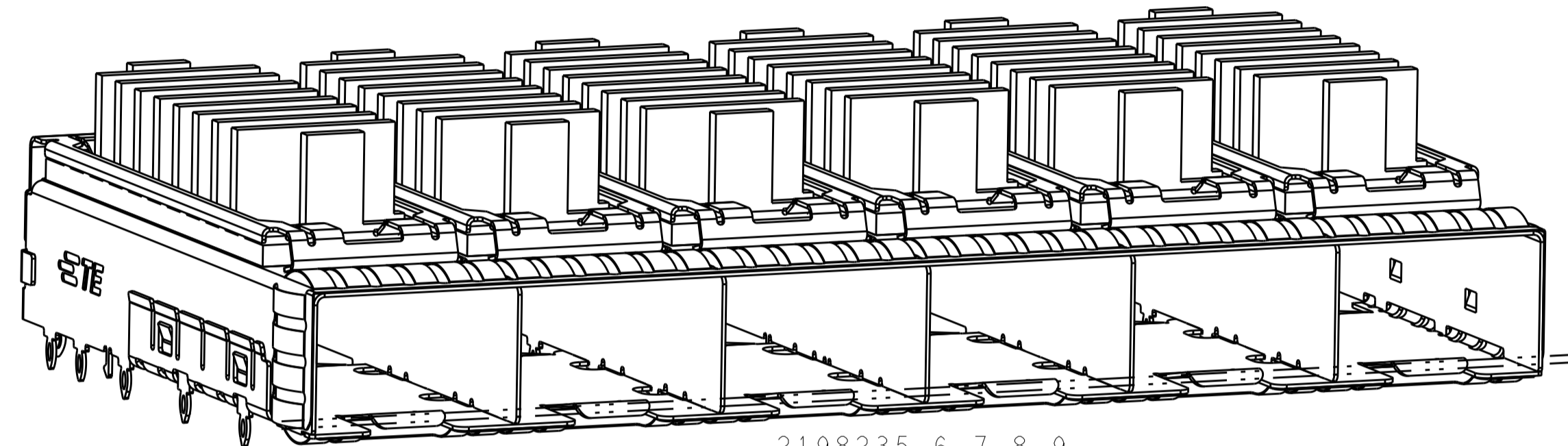
Email & Skype: info@chipsmall.com Web: www.chipsmall.com

Address: A1208, Overseas Decoration Building, #122 Zhenhua RD., Futian, Shenzhen, China

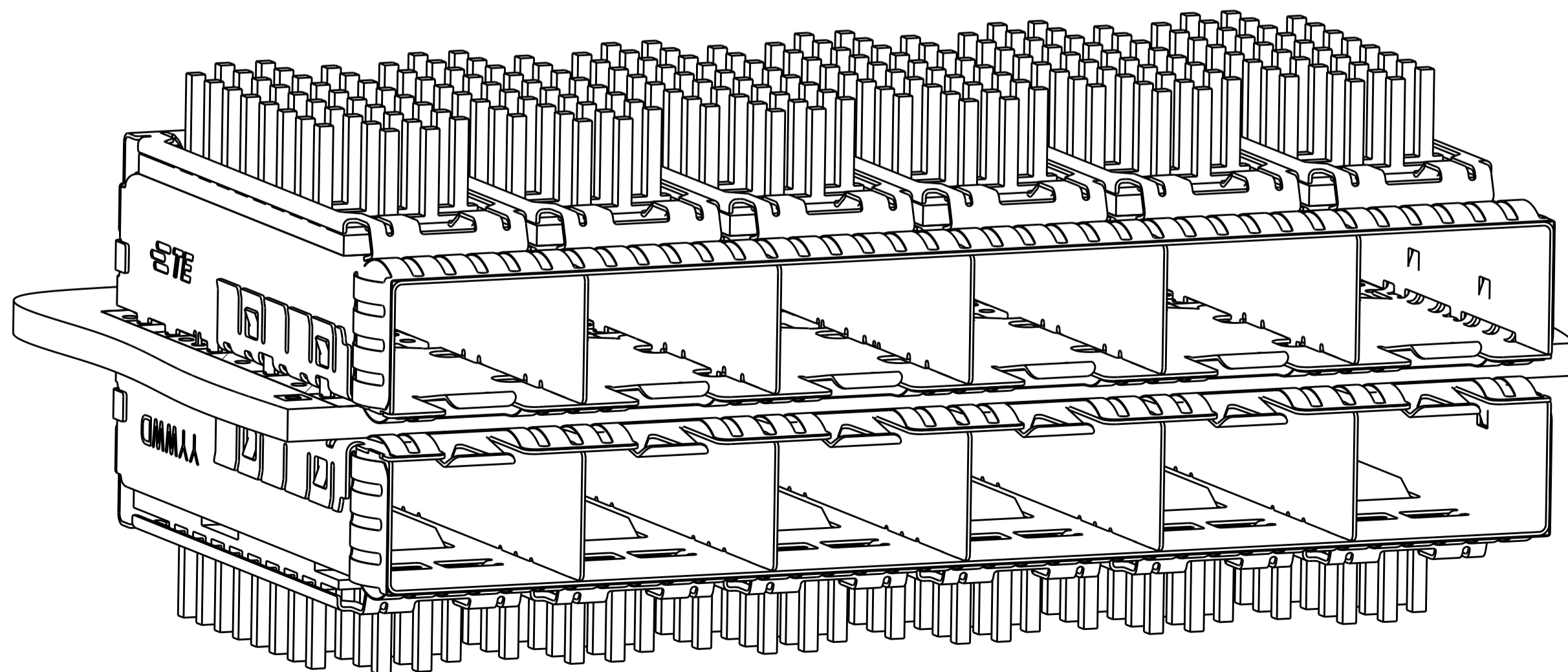
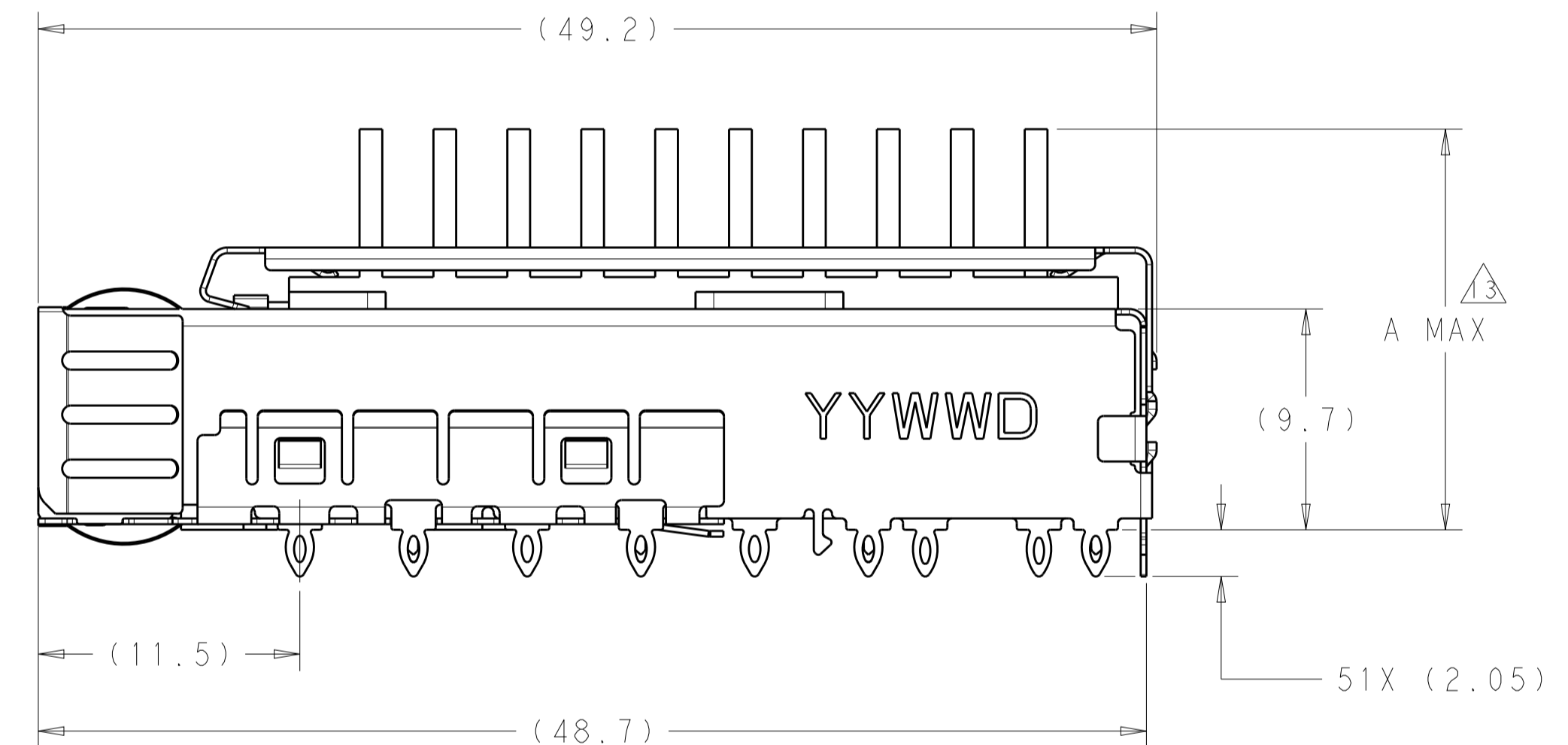
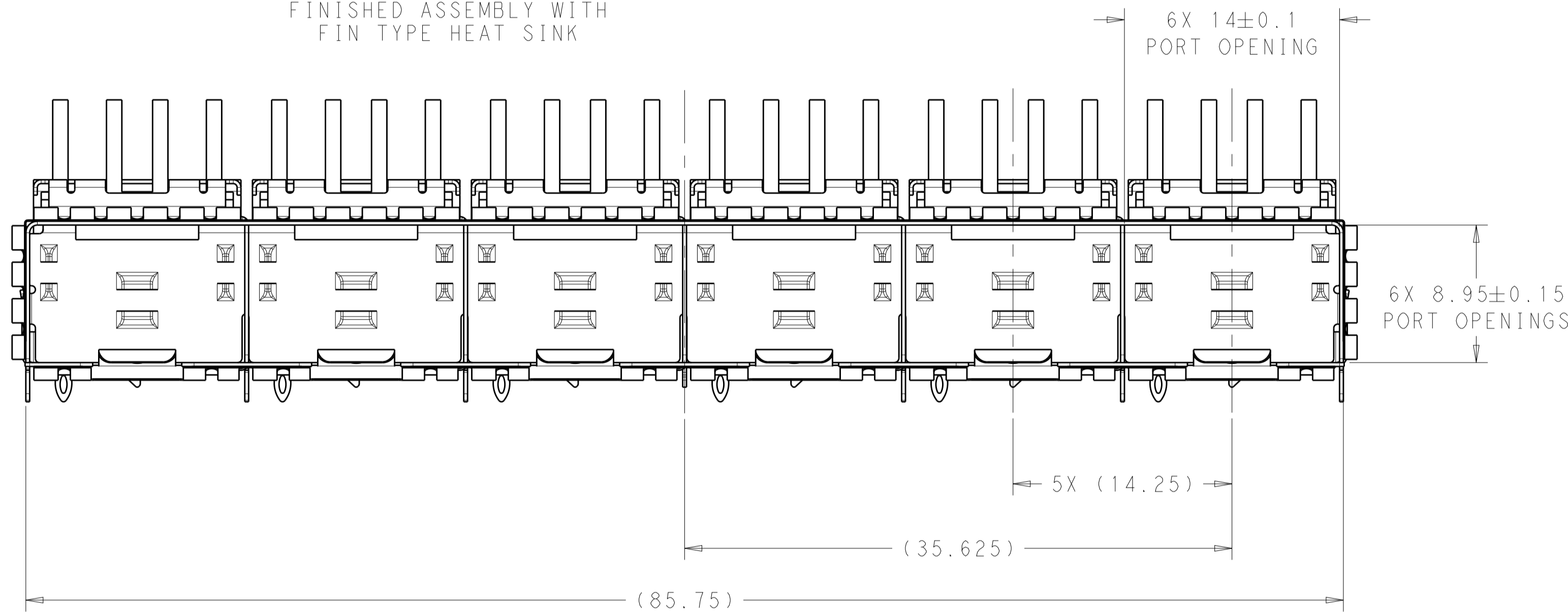




2198235-1,2,3,4,5  
 FINISHED ASSEMBLY WITH  
 PIN TYPE HEAT SINK



2198235-6,7,8,9  
 FINISHED ASSEMBLY WITH  
 FIN TYPE HEAT SINK



2198235  
 MOUNTED BELLY TO BELLY ON PCB  
 SCALE 3:1

△ MATERIAL:  
 CAGE ASSEMBLY: 0.25mm THICK NICKEL SILVER ALLOY.  
 HEATSINK CLIP: STAINLESS STEEL  
 HEATSINK: ALUMINUM

△ FINISH:  
 EMI SPRINGS: MINIMUM OF 0.8um TIN PLATE OVER A MINIMUM OF 0.8um NICKEL UNDERPLATE.  
 NON-PLATED EDGES PERMISSIBLE.  
 HEATSINK CLIP: PASSIVATE  
 HEATSINK: ELECTROLESS NICKEL

3. MATES WITH SFP MSA COMPLIANT TRANSCEIVERS.
- △ PADS AND VIAS CHASSIS GROUND.
5. INTERPRETATION OF DATUM REFERENCE FRAME IN ACCORDANCE WITH SECT 4.4.1.1 OF ASME Y14.5M-1994.
- △ MINIMUM PC BOARD THICKNESS:  
 SINGLE SIDED = 1.50mm  
 DOUBLE SIDED = 2.25mm
- △ HOLE PATTERN REPEATS FOR EACH PORT. SPACING BETWEEN PORTS IS 14.25mm.
- △ DATUM AND BASIC DIMENSION ESTABLISHED BY CUSTOMER.
- △ REFERENCE APPLICATION SPEC. 114-13120, HOLE A, FOR RECOMMENDED DRILL HOLE DIAMETER AND PLATING THICKNESS.
- △ REFERENCE APPLICATION SPEC. 114-13120, HOLE B, FOR RECOMMENDED DRILL HOLE DIAMETER AND PLATING THICKNESS.
11. CERTAIN MATING TRANCEIVERS MAY REQUIRE ADDITIONAL PCB THICKNESS THAT WOULD BE DETERMINED BY THE CUSTOMER.
12. PRODUCT COMPLIES WITH SPECIFICATION SFF-8433 IMPROVED PLUGGABLE FORM FACTOR FOR SFP+ GANGED CAGES.
- △ DIMENSION APPLIES PRIOR TO INSERTION OF SFP MODULE

LOC	DIST	REVISIONS				
GP	00	REV	DESCRIPTION	DATE	OWN	APVD
		A	RELEASED PER ECO-12-013192	06NOV2012	BMM	MRS
		B	RELEASED PER ECO-13-000564	30JAN2013	BMM	MRS
		B1	RELEASED PER ECO-13-014600	20SEP2013	PP	SH
		B2	RELEASED PER ECO-15-006578	20APR2015	PP	SH

FIN TYPE	W/O INSULATING TAPE	22.5	NETWORKING, TALL	2198235-9
FIN TYPE	W/O INSULATING TAPE	18.1	NETWORKING, SHORT	2198235-8
FIN TYPE	W/O INSULATING TAPE	15.5	SAN	2198235-7
FIN TYPE	W/O INSULATING TAPE	13.2	PCI	2198235-6
PIN TYPE	W/ INSULATING TAPE	22.5	NETWORKING, TALL	2198235-5
PIN TYPE	W/O INSULATING TAPE	22.5	NETWORKING, TALL	2198235-4
PIN TYPE	W/O INSULATING TAPE	18.1	NETWORKING, SHORT	2198235-3
PIN TYPE	W/O INSULATING TAPE	15.5	SAN	2198235-2
PIN TYPE	W/O INSULATING TAPE	13.2	PCI	2198235-1
HEAT SINK	DESCRIPTION	A MAX	APPLICATION	PART NUMBER

THIS DRAWING IS A CONTROLLED DOCUMENT. OWN: B. MATTHEWS, 15NOV2011  
 CHK: M. SCHMITT, 15NOV2011  
 APVD: M. SCHMITT, 15NOV2011

DIMENSIONS: mm  
 TOLERANCES UNLESS OTHERWISE SPECIFIED:  
 0 PLC ±0.1  
 1 PLC ±0.1  
 2 PLC ±0.1  
 3 PLC ±0.1  
 4 PLC ±0.1  
 ANGLES ±0.1°

MATERIAL: △ FINISH: △

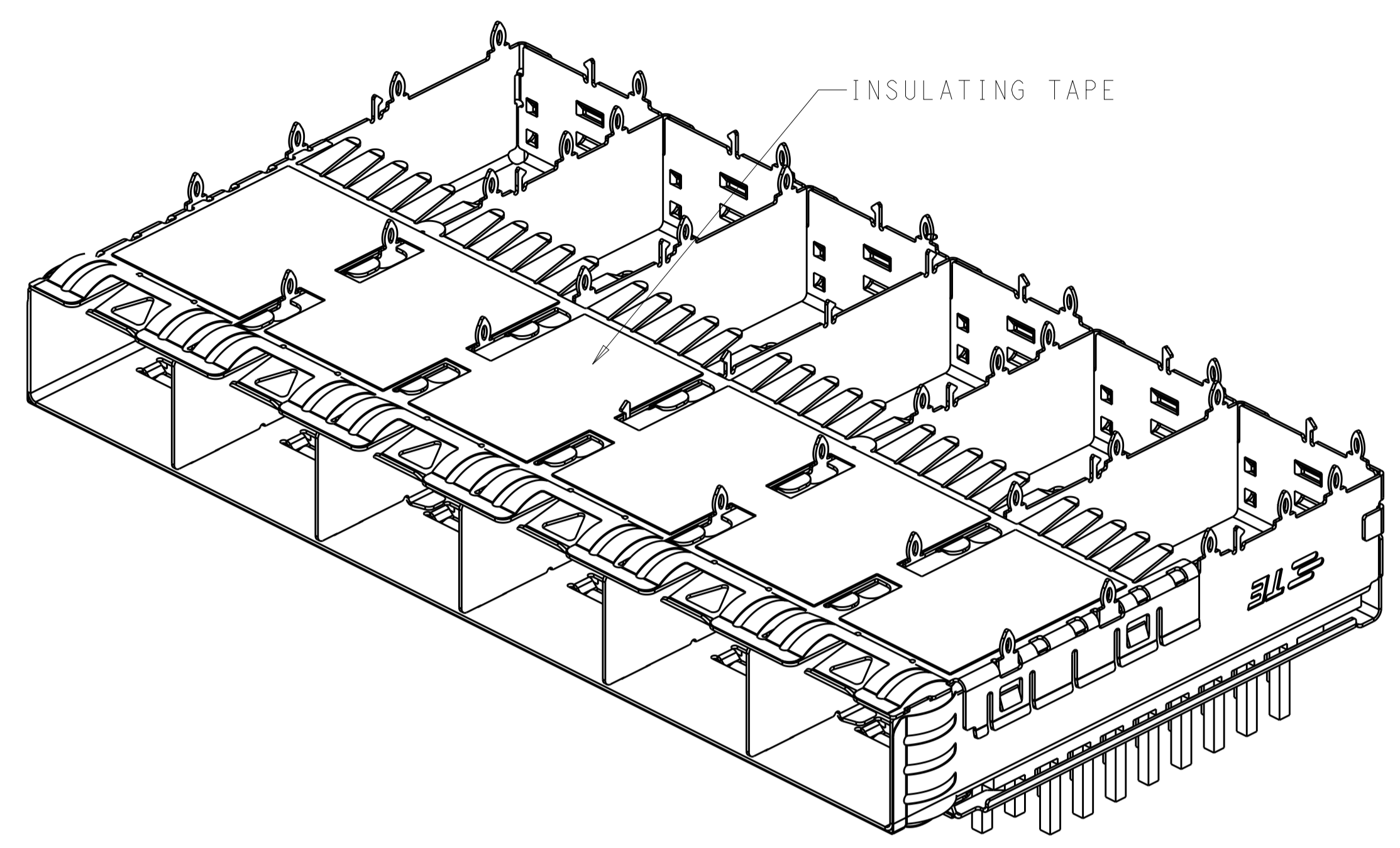
Customer Drawing

NAME: SFP+ ENHANCED 1X6 CAGE ASSEMBLY, PRESS FIT, EXTERNAL EMI SPRINGS WITH HEATSINK  
 PRODUCT SPEC: 108-2364  
 APPLICATION SPEC: 114-13120  
 WEIGHT: -

SIZE: A1  
 CAGE CODE: 100779  
 DRAWING NO: 2198235

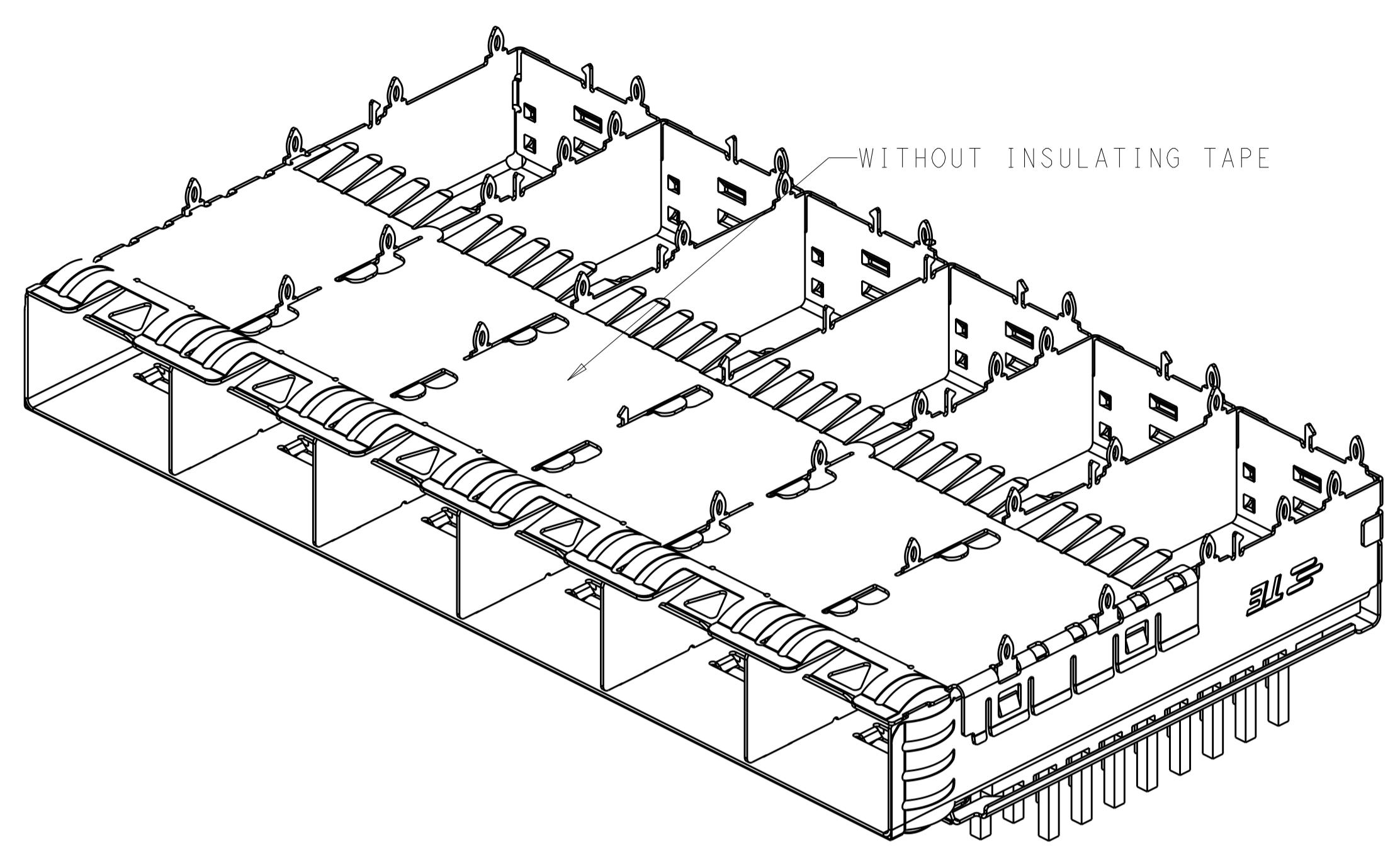
RESTRICTED TO: -  
 SCALE: 4:1 SHEET 1 OF 7 REV: B2

LOC	DIST	REVISIONS					
GP	00	P	LYR	DESCRIPTION	DATE	DWN	APVD
		-		SEE SHEET 1			



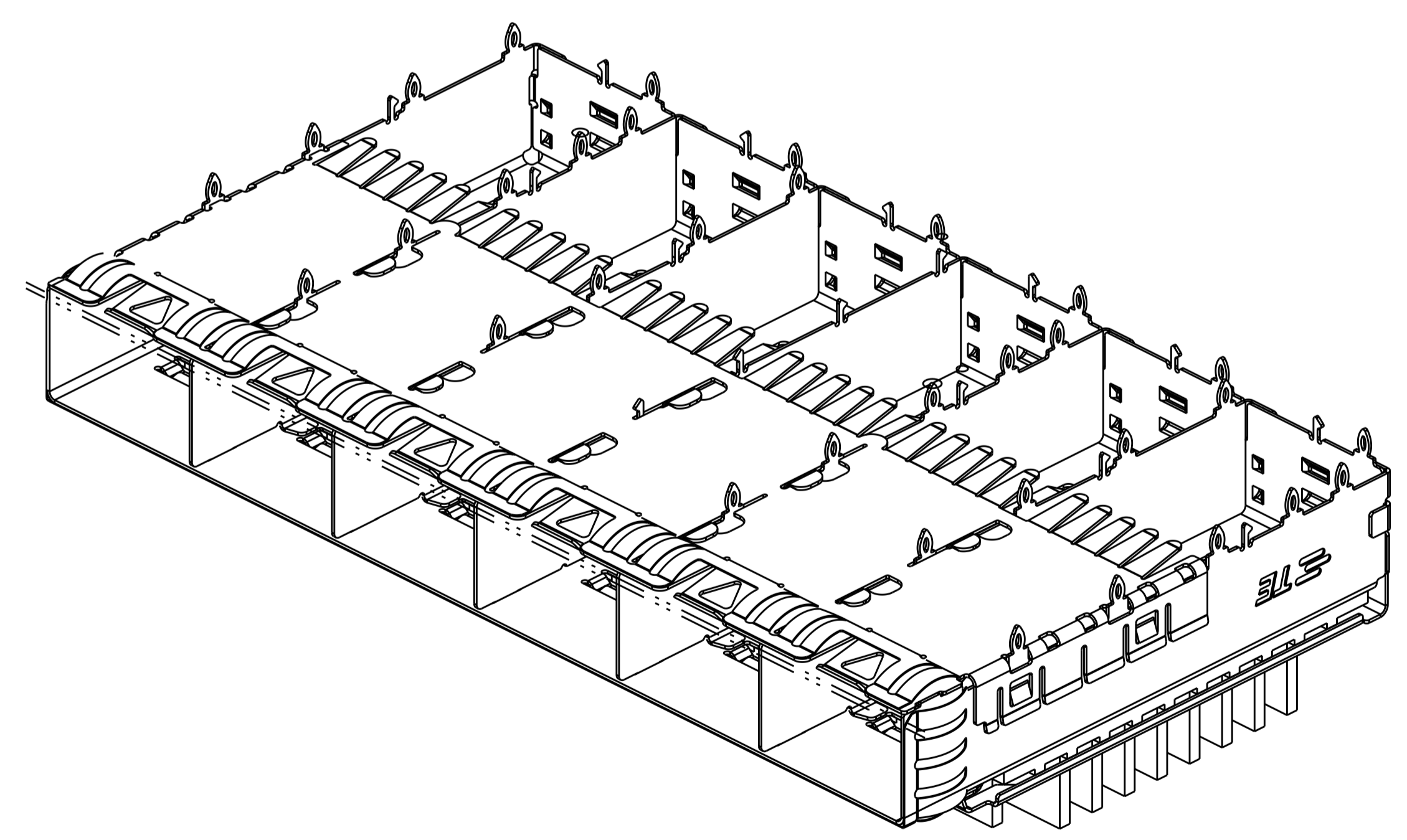
INSULATING TAPE

2198235-5 AS SHOWN WITH INSULATING TAPE WITH PIN TYPE HEAT SINK



WITHOUT INSULATING TAPE

2198235-1,2,3,4 WITHOUT INSULATING TAPE WITH PIN TYPE HEAT SINK



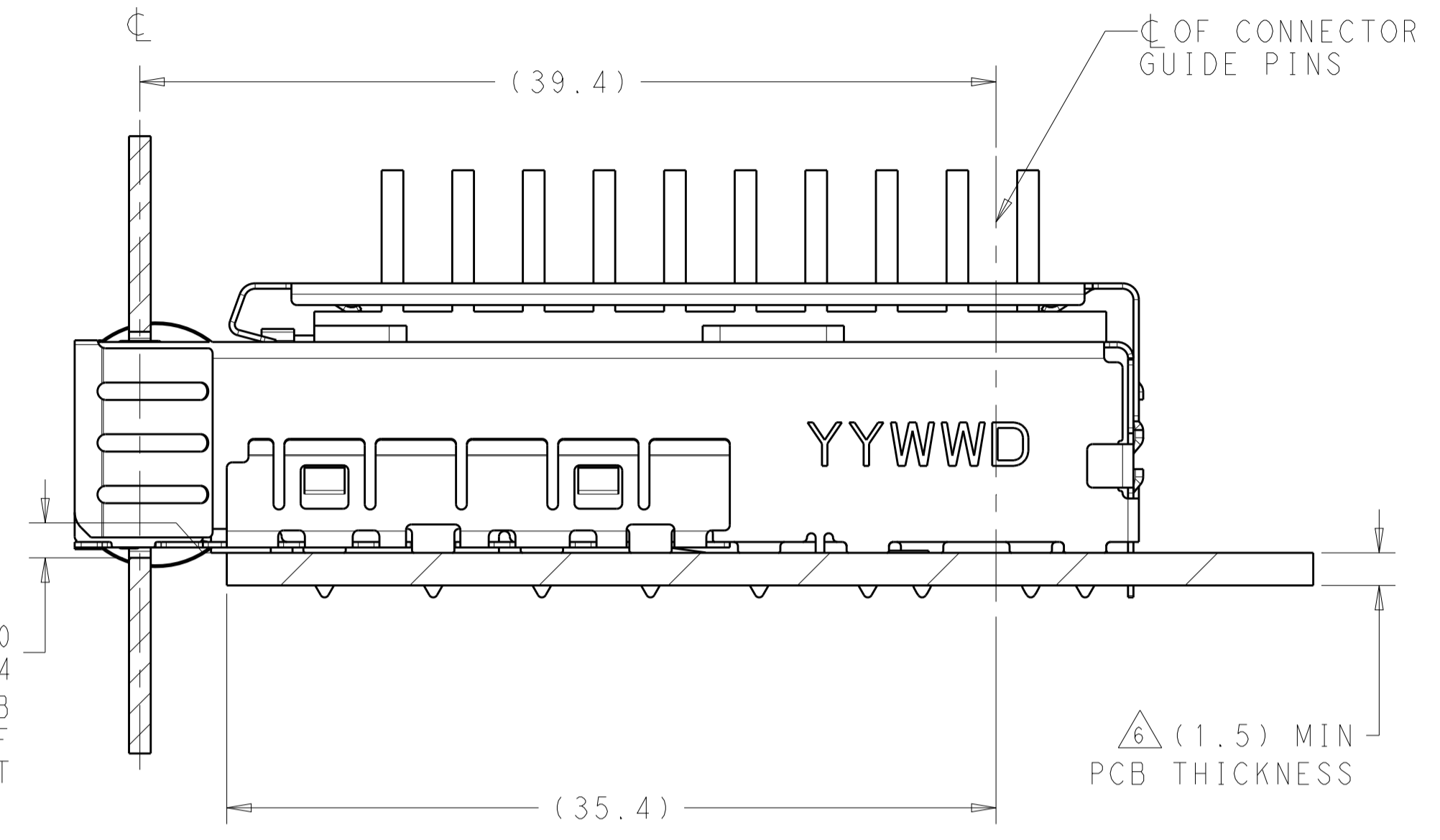
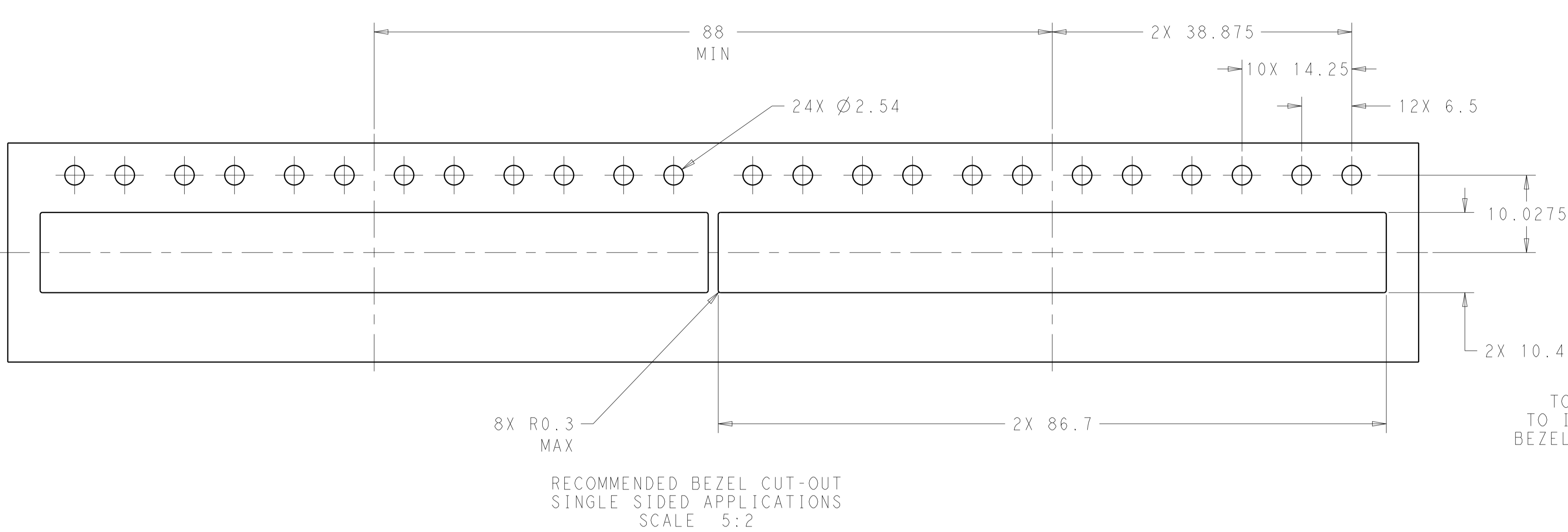
2198235-6,7,8,9 AS SHOWN WITHOUT INSULATING TAPE WITH FIN TYPE HEAT SINK

THIS DRAWING IS A CONTROLLED DOCUMENT.		DWN	B. MATTHEWS	15NOV2011	TE Connectivity NAME: SFP+ ENHANCED 1X6 CAGE ASSEMBLY, PRESS FIT, EXTERNAL EMI SPRINGS WITH HEATSINK PRODUCT SPEC: 108-2364 APPLICATION SPEC: 114-13120 WEIGHT: - Customer Drawing	RESTRICTED TO	
DIMENSIONS:		CHK	M. SCHMITT	15NOV2011		SIZE	A1
TOLERANCES UNLESS OTHERWISE SPECIFIED:		APVD	M. SCHMITT	15NOV2011		CAGE CODE	00779
mm						DRAWING NO	C=2198235
0 PLC ±0.1 1 PLC ±0.1 2 PLC ±0.1 3 PLC ±0.1 4 PLC ±0.1 ANGLES ±0.1 FINISH ±1°					SCALE	4:1	
MATERIAL					SHEET	2 OF 7	
					REV	B2	

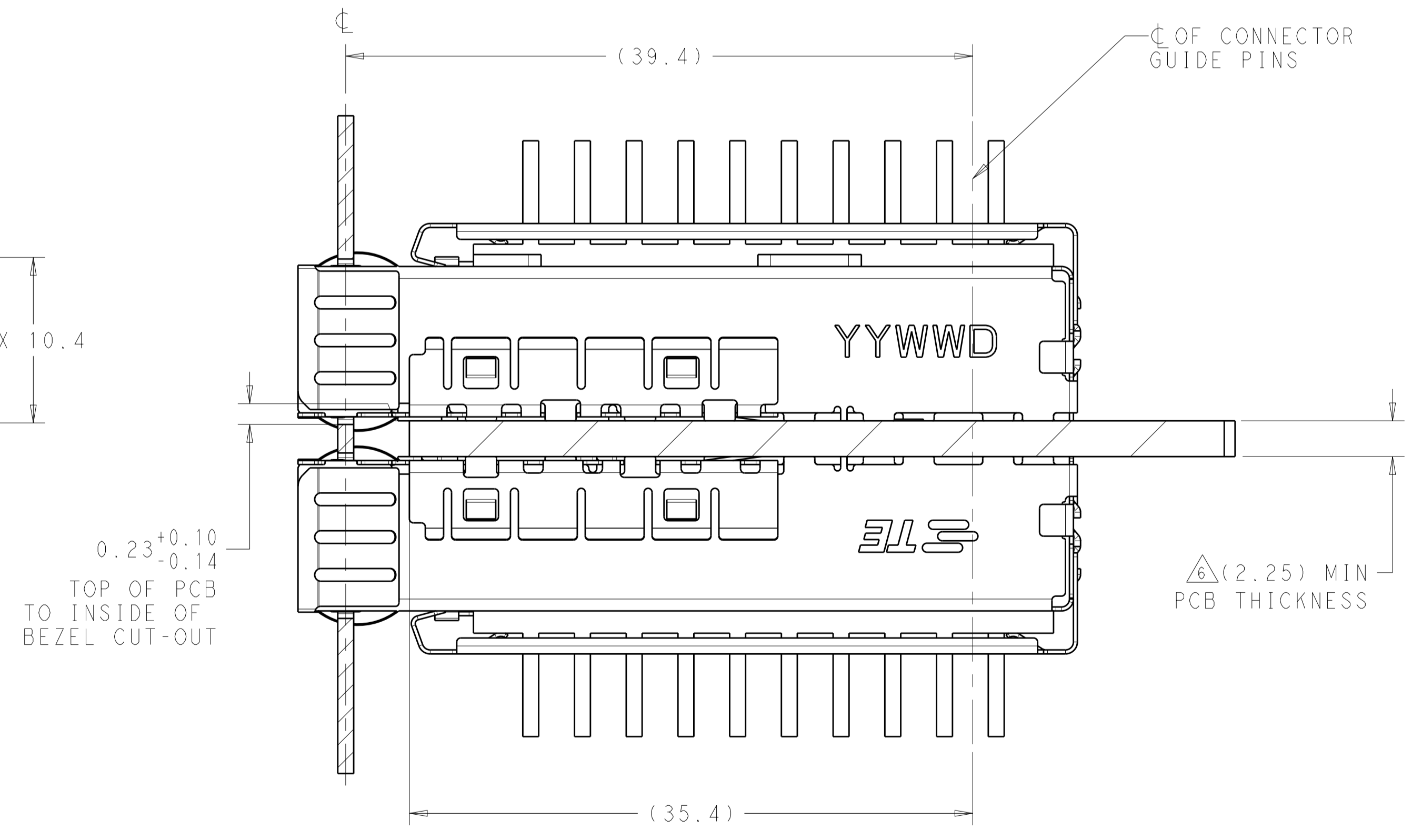
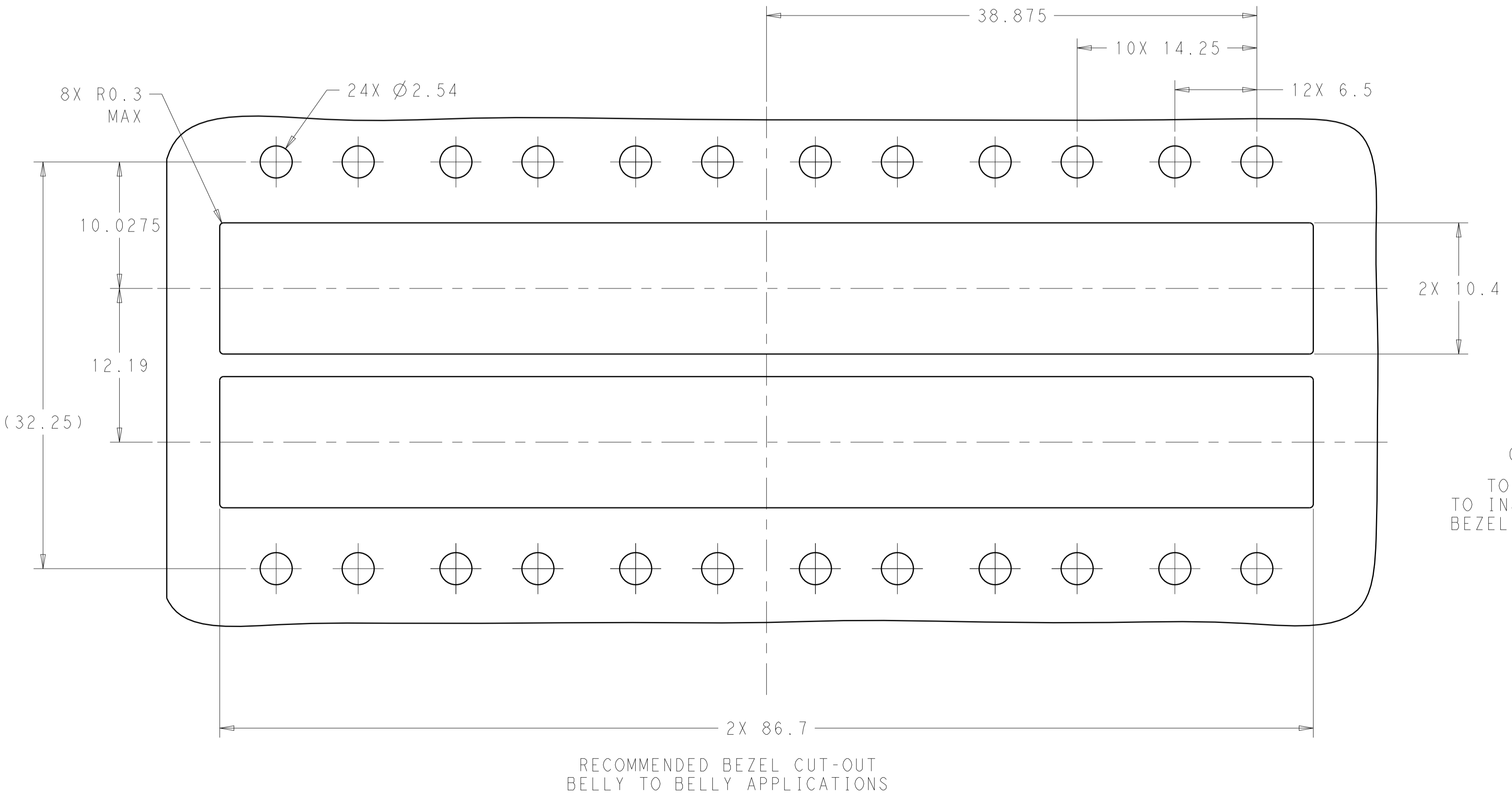
LOC	DIST	REV	DATE	BY	APPD
GP	00				

REVISIONS			
NO.	DESCRIPTION	DATE	BY
-	SEE SHEET 1	-	-



2198235  
MOUNTED ON PC BOARD  
SHOWN THRU RECOMMENDED BEZEL



2198235  
MOUNTED BELLY TO BELLY ON PC BOARD  
SHOWN THRU RECOMMENDED BEZEL

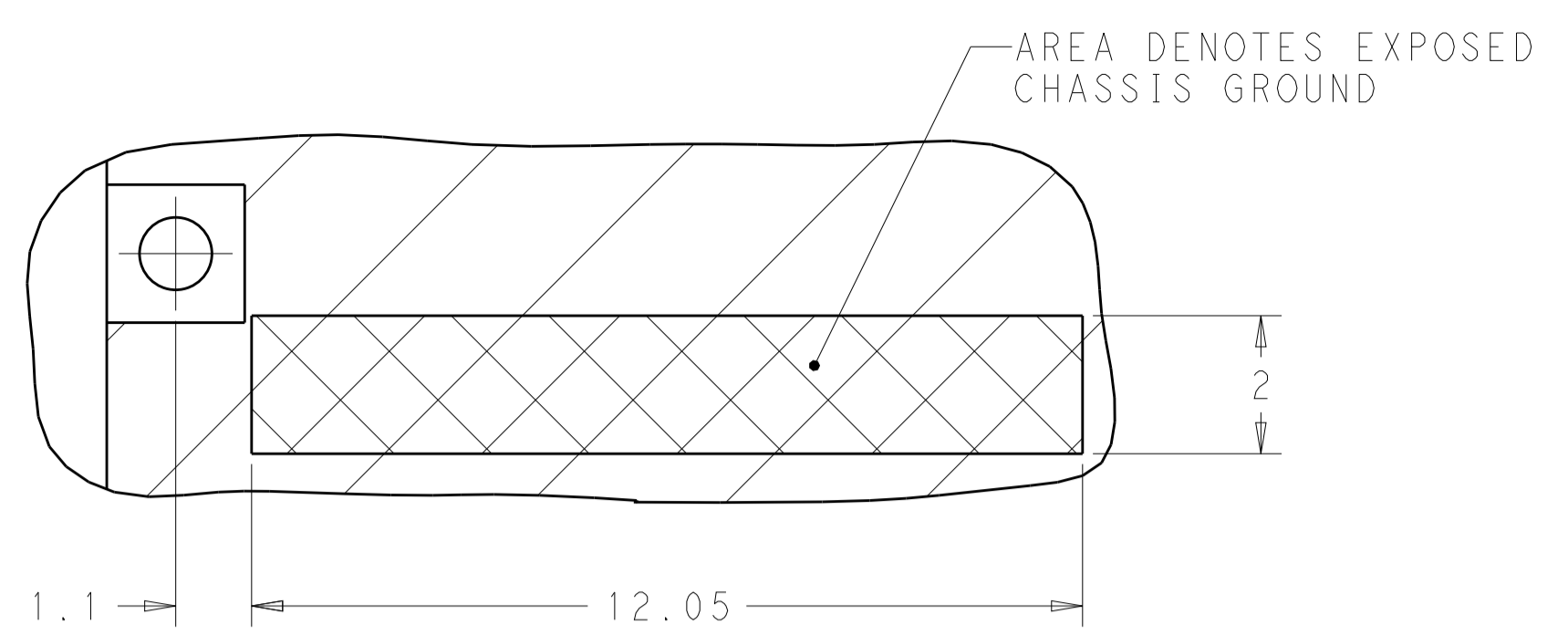
THIS DRAWING IS A CONTROLLED DOCUMENT.		OWN: B. MATTHEWS 15NOV2011	 TE Connectivity
DIMENSIONS: mm		CHK: M. SCHMITT 15NOV2011	
TOLERANCES UNLESS OTHERWISE SPECIFIED:		APVD: M. SCHMITT 15NOV2011	
0 PLC ±0.1 1 PLC ±0.1 2 PLC ±0.1 3 PLC ±0.1 4 PLC ±0.1 ANGLES ±1°		NAME: SFP+ ENHANCED 1X6 CAGE ASSEMBLY, PRESS FIT, EXTERNAL EMI SPRINGS WITH HEATSINK PRODUCT SPEC: 108-2364 APPLICATION SPEC: 114-13120 WEIGHT: - Customer Drawing	
MATERIAL:		FINISH: -	SIZE: A1 CAGE CODE: 00779 DRAWING NO: 2198235 SCALE: 4:1 SHEET: 3 OF 7 REV: B2



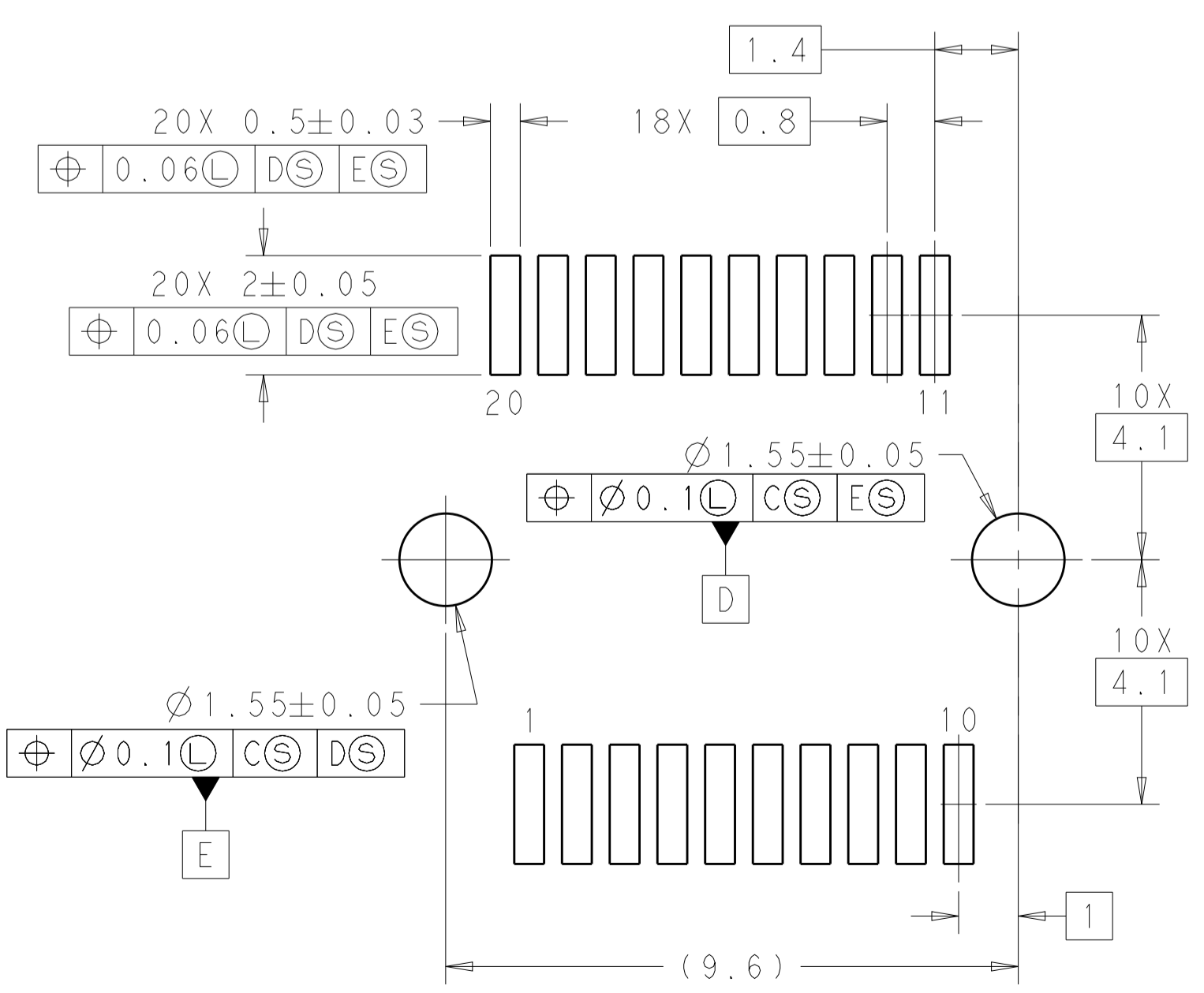
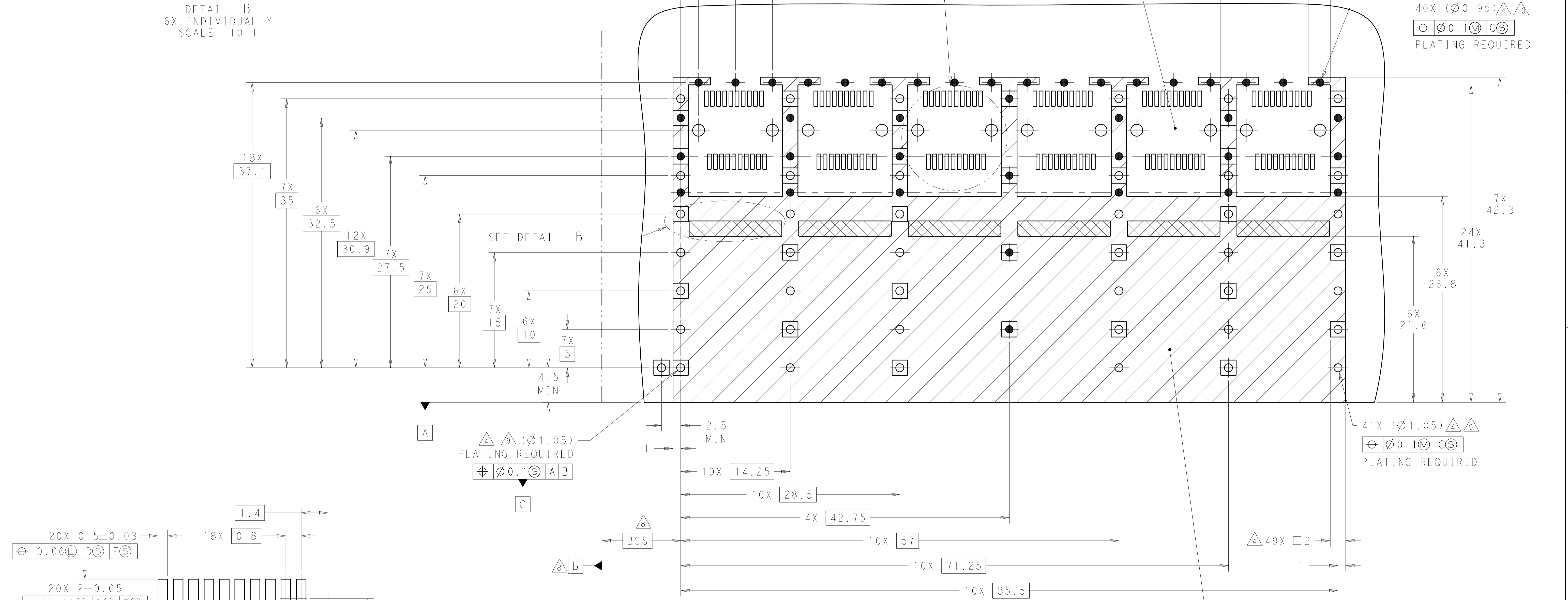
LOC	DIST	REV	DATE	BY	APPV
GP	00				

REVISIONS			
NO.	DESCRIPTION	DATE	BY
-	SEE SHEET 1	-	-



DETAIL B  
6X INDIVIDUALLY  
SCALE 10:1



DETAIL Y  
RECOMMENDED PT CONNECTOR LAYOUT  
12X INDIVIDUALLY  
SCALE 10:1

RECOMMENDED PCB CONFIGURATION  
WITH KEEP-OUT AREAS  
BELLY TO BELLY APPLICATIONS  
SCALE 4:1

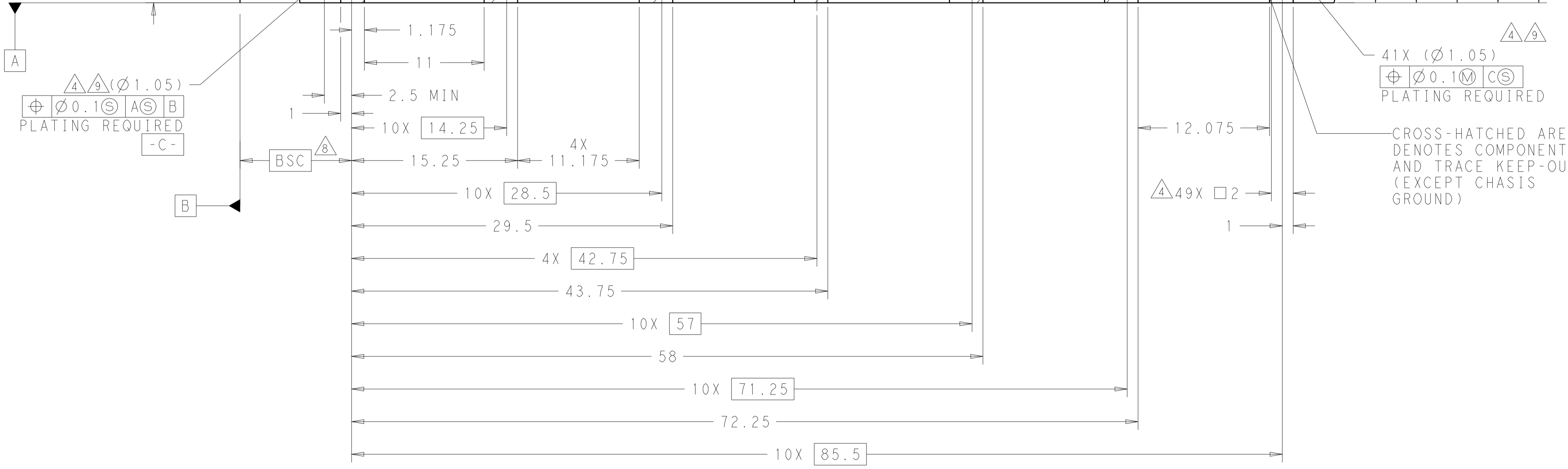
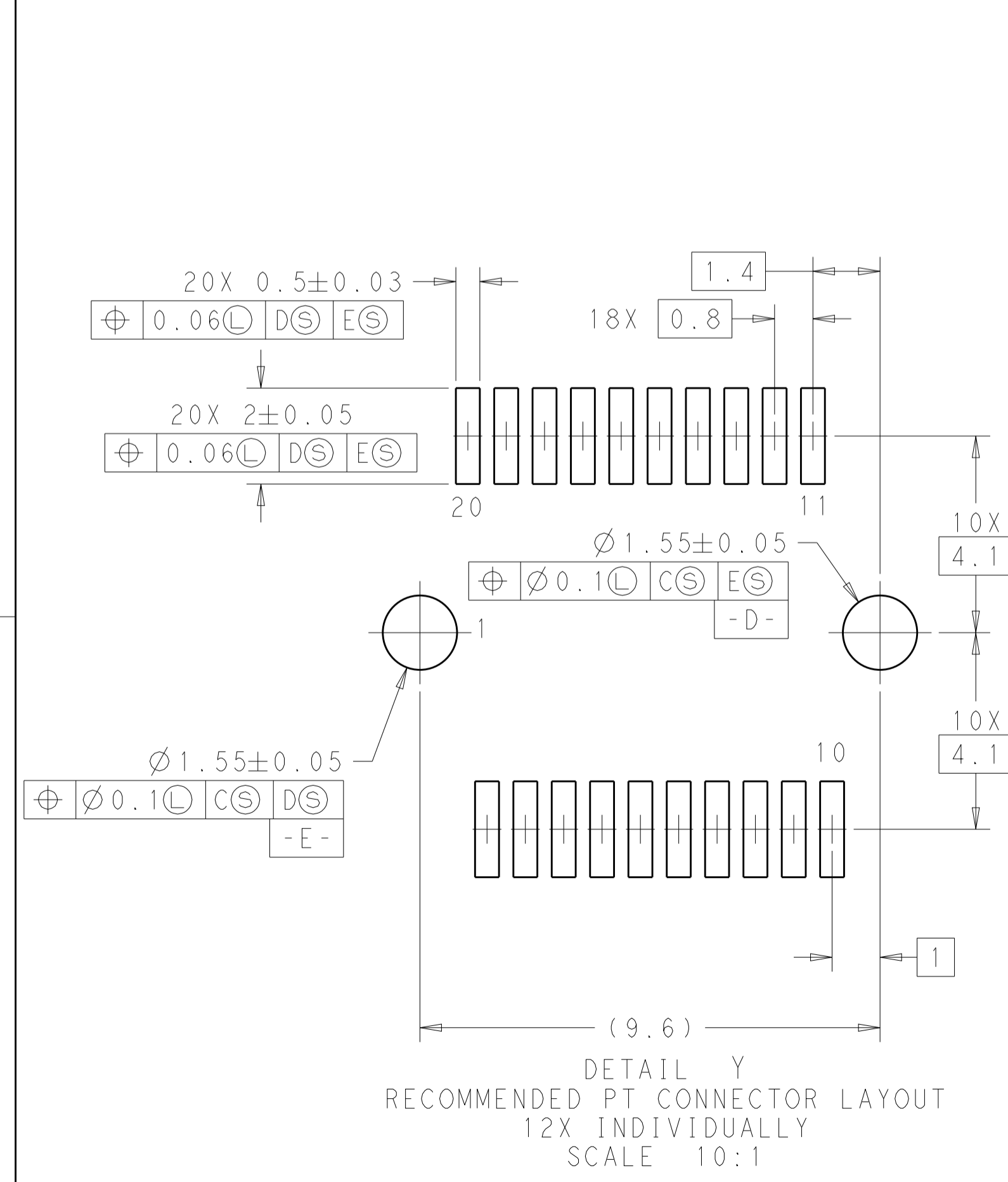
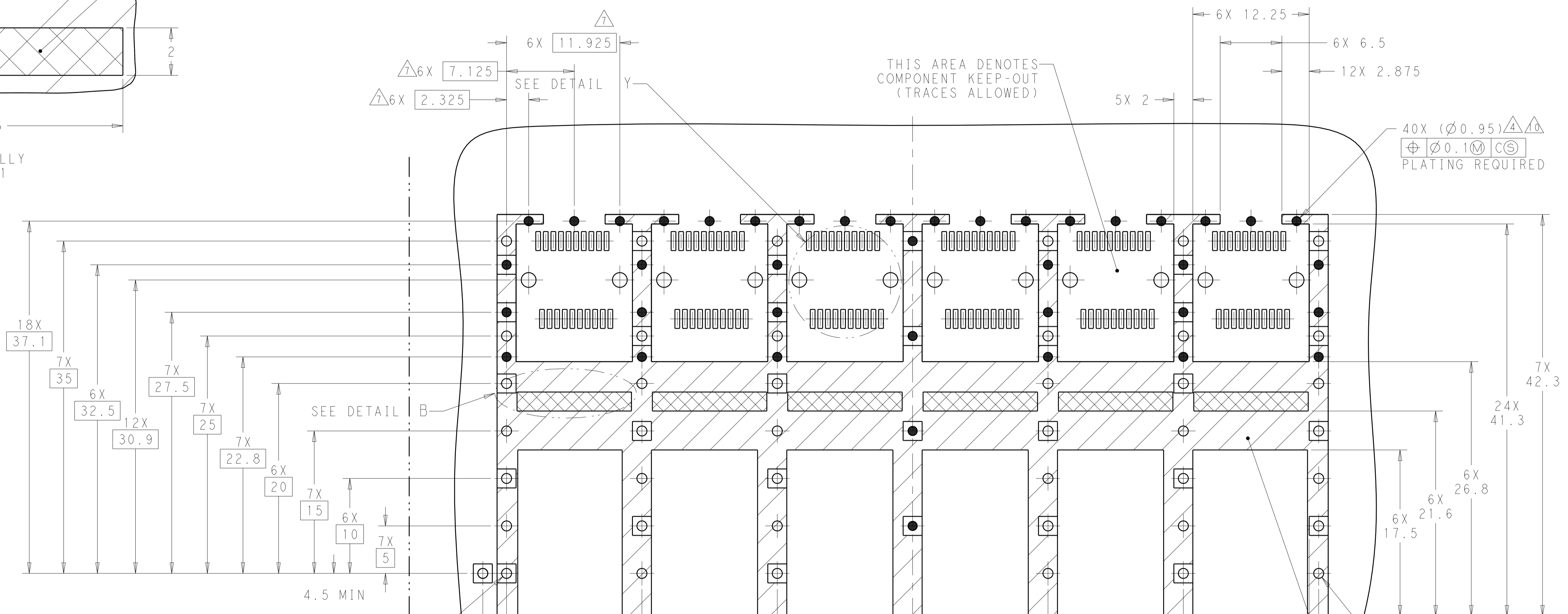
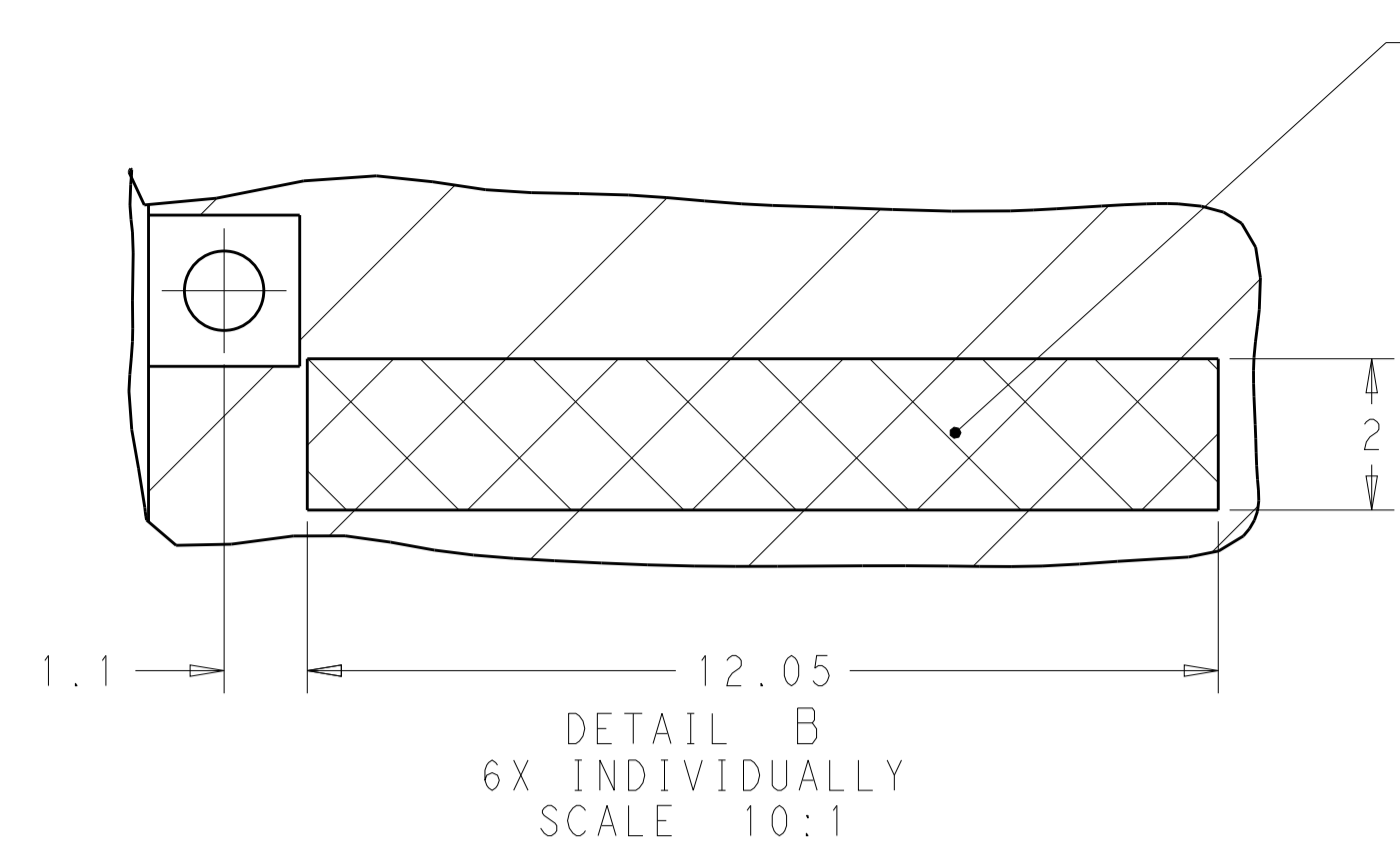
CROSS-HATCHED AREA  
DENOTES COMPONENT  
AND TRACE KEEP-OUT  
(EXCEPT CHASSIS  
GROUND)

THIS PRINT IS  
**PRELIMINARY**  
UNQUALIFIED PRODUCT  
CONTACT PRODUCT ENGINEERING  
BEFORE USING THIS PRINT

THIS DRAWING IS A CONTROLLED DOCUMENT.		OWN: B. MATTHEWS 15NOV2011	TE Connectivity
DIMENSIONS: mm		CHK: M. SCHMITT 15NOV2011	
TOLERANCES UNLESS OTHERWISE SPECIFIED:		APVD: M. SCHMITT 15NOV2011	NAME: SFP+ ENHANCED 1X6 CAGE ASSEMBLY, PRESS FIT, EXTERNAL EMI SPRINGS WITH HEATSINK PRODUCT SPEC: 108-2364 APPLICATION SPEC: 114-13120
0 PLC ±0.1 1 PLC ±0.1 2 PLC ±0.1 3 PLC ±0.1 4 PLC ±0.1 ANGLES ±0.1°		WEIGHT: 114-13120 FINISH: #1*	
MATERIAL:		RESTRICTED TO: A100779C=2198235	SIZE: CAGE CODE DRAWING NO: 114-13120 SCALE: 4:1 SHEET 5 OF 7 REV: B2



LOC		DIST		REVISIONS			
GP	00	P	LTN	DESCRIPTION	DATE	OWN	APVD
		-		SEE SHEET 1			



RECOMMENDED PCB CONFIGURATION WITH KEEP-OUT AREAS BELLY TO BELLY APPLICATIONS FOR WITH INSULATING TAPE PART

THIS DRAWING IS A CONTROLLED DOCUMENT.		OWN: B. MATTHEWS 15NOV2011	TE Connectivity
DIMENSIONS: mm		CHK: M. SCHMITT 15NOV2011	
TOLERANCES UNLESS OTHERWISE SPECIFIED:		APVD: M. SCHMITT 15NOV2011	NAME: SFP+ ENHANCED 1X6 CAGE ASSEMBLY, PRESS FIT, EXTERNAL EMI SPRINGS WITH HEATSINK PRODUCT SPEC: 108-2364 APPLICATION SPEC: 114-13120
0 PLC ±0.1 1 PLC ±0.1 2 PLC ±0.1 3 PLC ±0.1 4 PLC ±0.1 ANGLES ±0.1°		WEIGHT: - Customer Drawing	
MATERIAL: FINISH: #1*		SIZE: CAGE CODE DRAWING NO: A100779C=2198235 RESTRICTED TO: -	SCALE: 4:1 SHEET 7 OF 7 REV: B2