



Chipsmall Limited consists of a professional team with an average of over 10 year of expertise in the distribution of electronic components. Based in Hongkong, we have already established firm and mutual-benefit business relationships with customers from,Europe,America and south Asia,supplying obsolete and hard-to-find components to meet their specific needs.

With the principle of "Quality Parts,Customers Priority,Honest Operation,and Considerate Service",our business mainly focus on the distribution of electronic components. Line cards we deal with include Microchip,ALPS,ROHM,Xilinx,Pulse,ON,Everlight and Freescale. Main products comprise IC,Modules,Potentiometer,IC Socket,Relay,Connector.Our parts cover such applications as commercial,industrial, and automotives areas.

We are looking forward to setting up business relationship with you and hope to provide you with the best service and solution. Let us make a better world for our industry!



Contact us

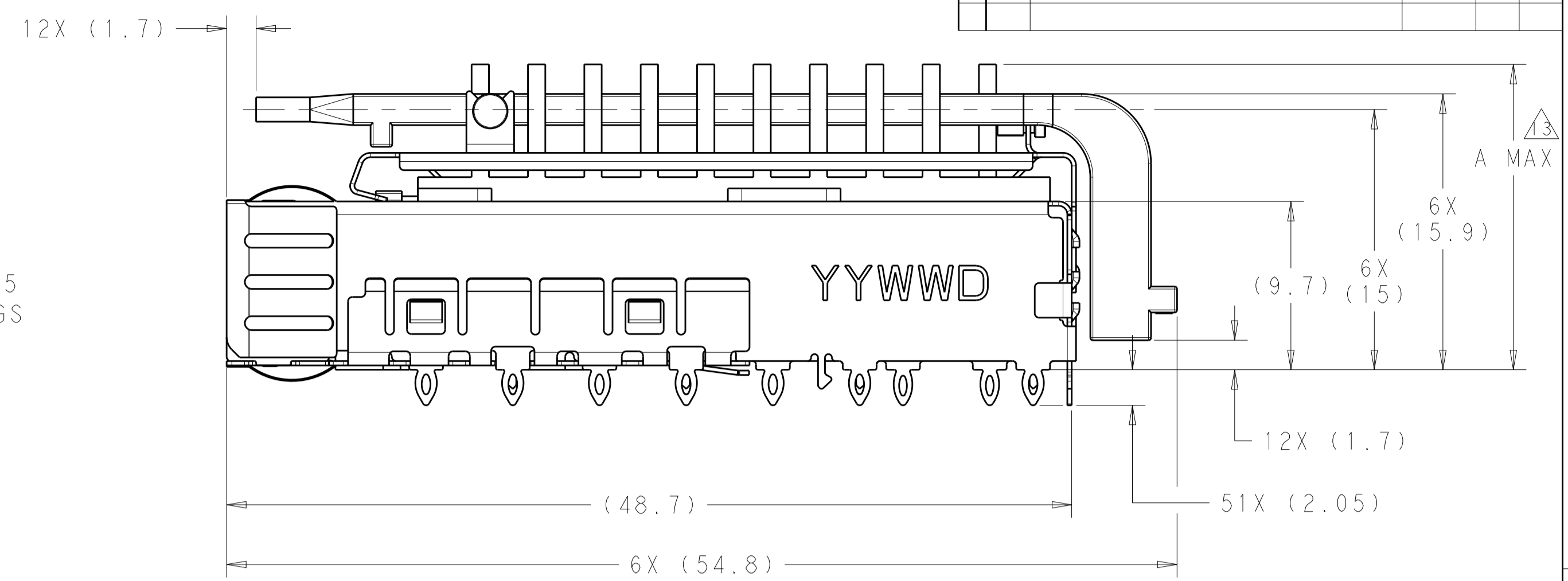
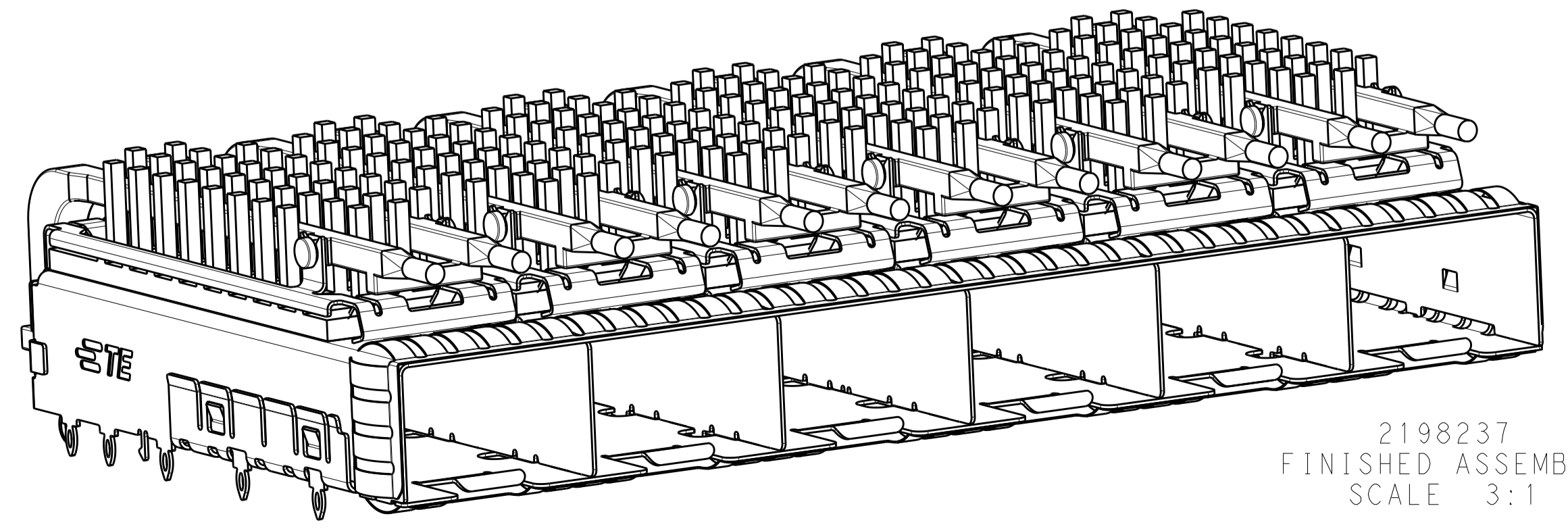
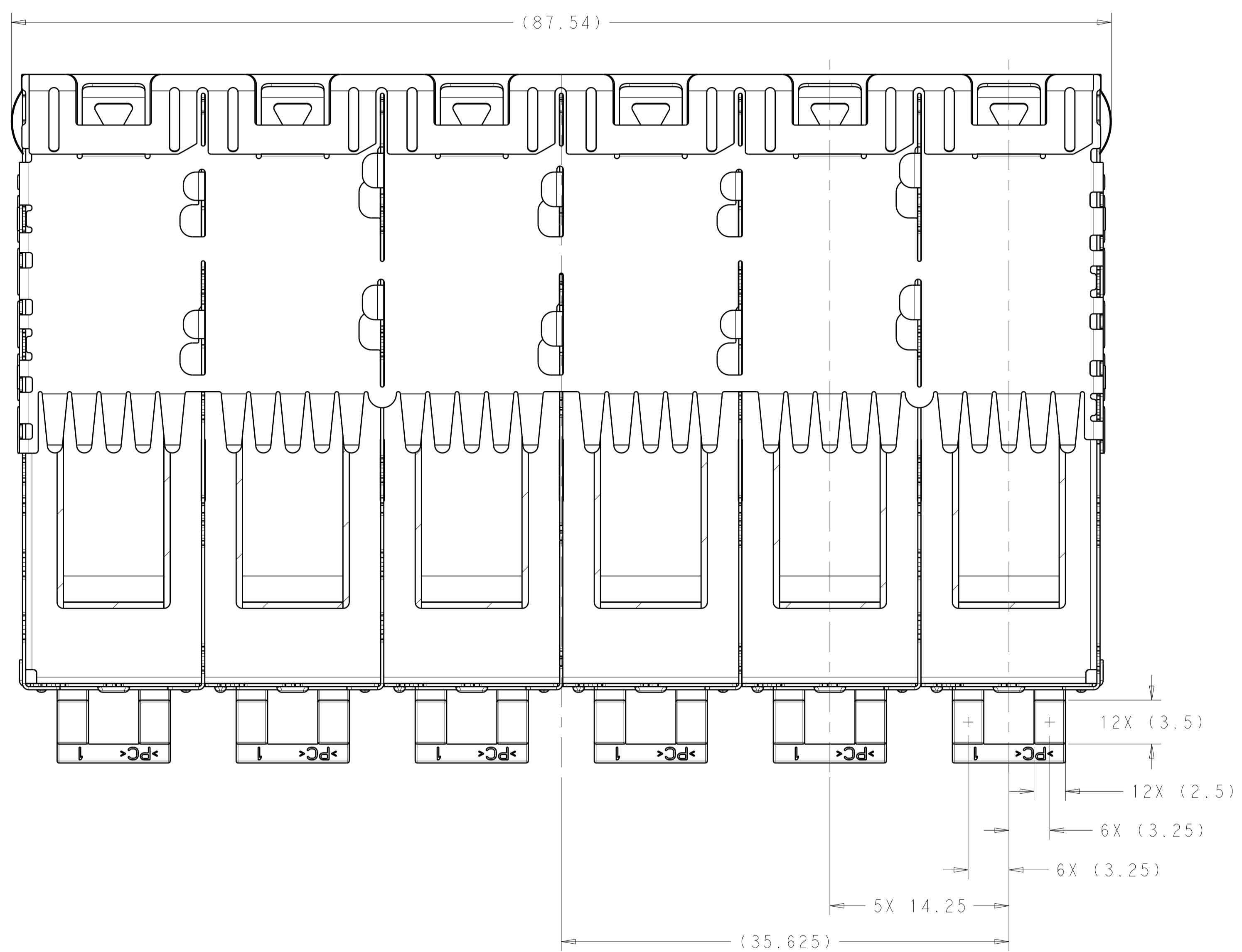
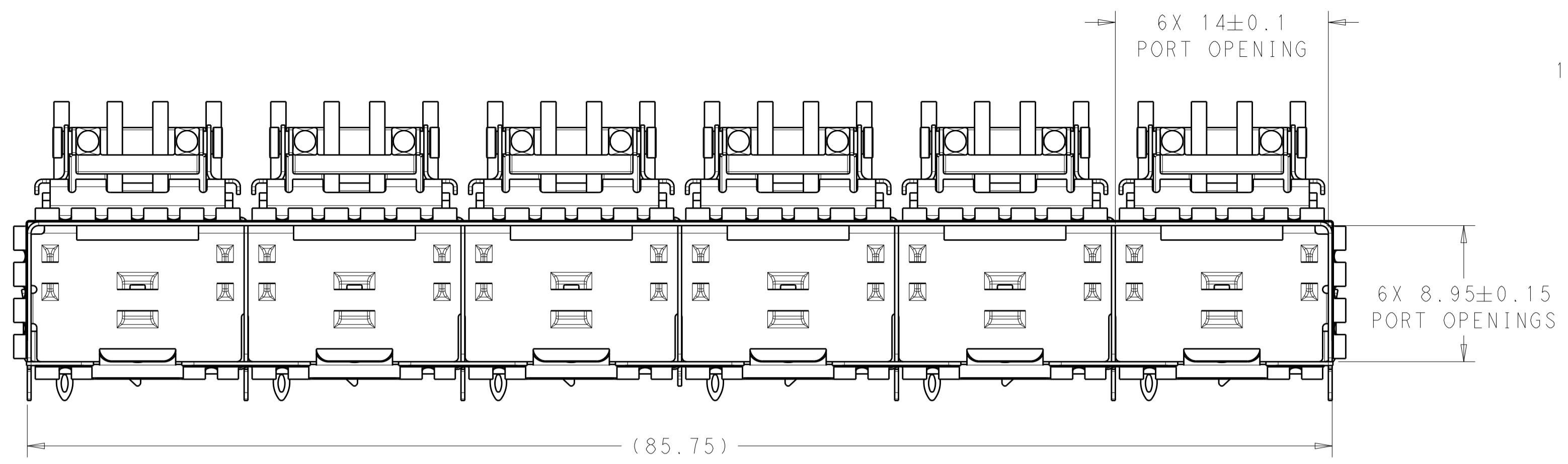
Tel: +86-755-8981 8866 Fax: +86-755-8427 6832

Email & Skype: info@chipsmall.com Web: www.chipsmall.com

Address: A1208, Overseas Decoration Building, #122 Zhenhua RD., Futian, Shenzhen, China



LOC		DIST		REVISIONS			
GP	00	P	LTN	DESCRIPTION	DATE	DMN	APVD
		A		RELEASED PER ECO-12-013192	19OCT2012	BMM	MRS



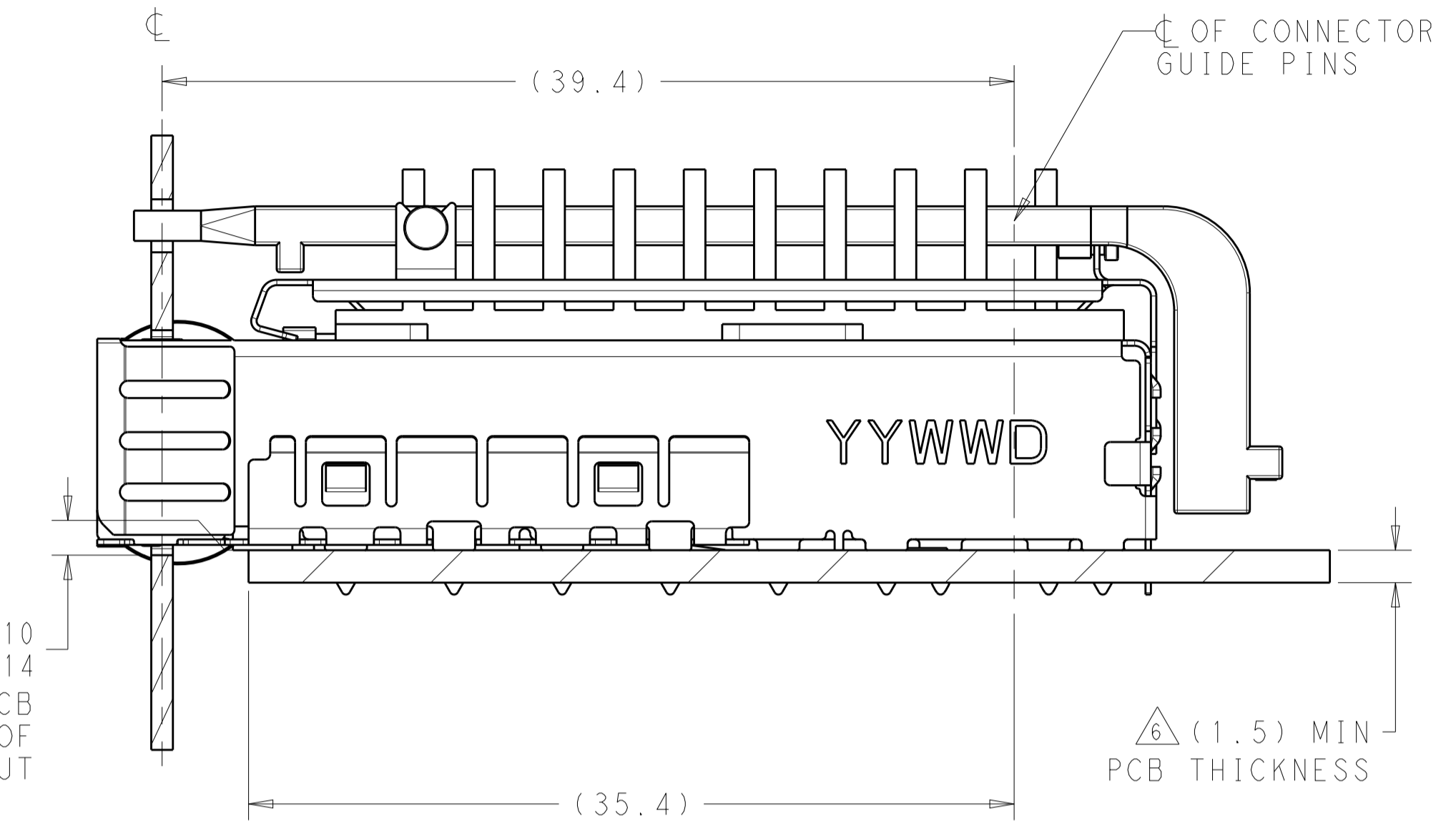
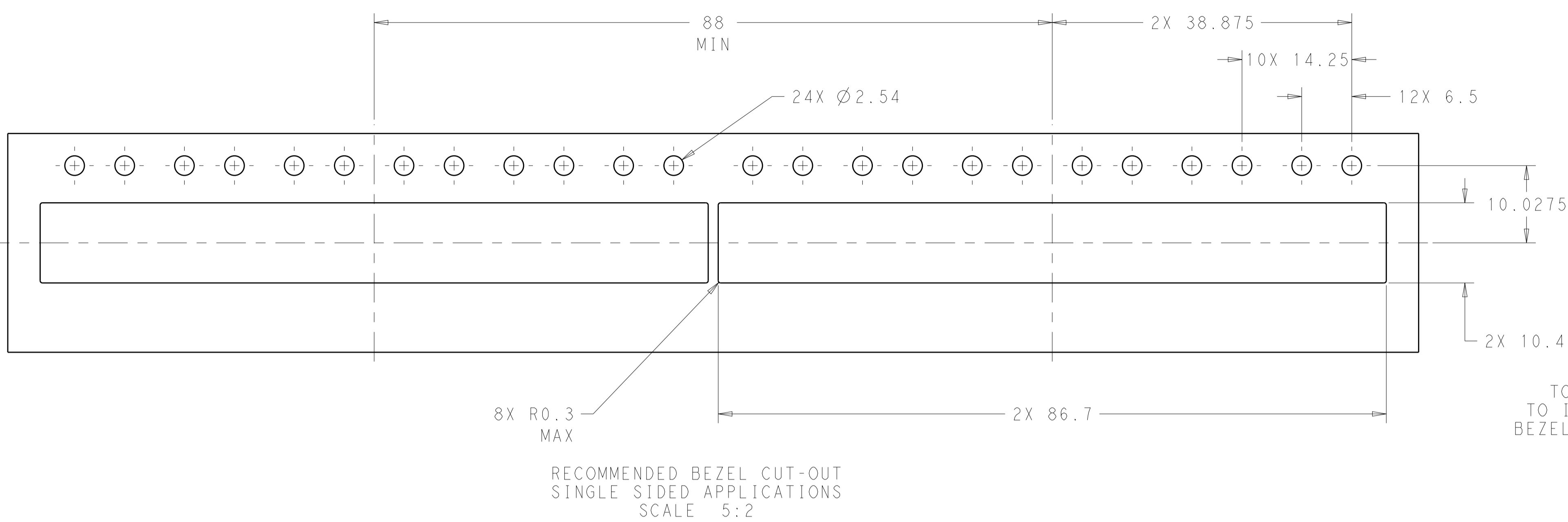
- △ MATERIAL:
CAGE ASSEMBLY: 0.25mm THICK NICKEL SILVER ALLOY.
HEATSINK/LIGHTPIPE CLIP: STAINLESS STEEL
LIGHT PIPE: POLYCARBONATE, CLEAR
HEATSINK: ALUMINUM
- △ FINISH:
SPRINGS: MINIMUM OF 0.8um TIN PLATE OVER A MINIMUM OF 0.8um NICKEL UNDERPLATE.
NON-PLATED EDGES PERMISSIBLE.
HEATSINK/LIGHTPIPE CLIP: PASSIVATE
HEATSINK: ELECTROLESS NICKEL
- 3. MATES WITH SFP MSA COMPLIANT TRANSCEIVERS.
- △ PADS AND VIAS CHASSIS GROUND.
- 5. INTERPRETATION OF DATUM REFERENCE FRAME IN ACCORDANCE WITH SECT 4.4.1.1 OF ASME Y14.5M-1994.
- △ MINIMUM PCB BOARD THICKNESS:
SINGLE SIDED = 1.50mm
DOUBLE SIDED = 2.25mm
- △ HOLE PATTERN REPEATS FOR EACH PORT. SPACING BETWEEN PORTS IS 14.25mm.
- △ DATUM AND BASIC DIMENSION ESTABLISHED BY CUSTOMER.
- △ REFERENCE APPLICATION SPEC. 114-13120, HOLE A, FOR RECOMMENDED DRILL HOLE DIAMETER AND PLATING THICKNESS.
- △ REFERENCE APPLICATION SPEC. 114-13120, HOLE B, FOR RECOMMENDED DRILL HOLE DIAMETER AND PLATING THICKNESS.
- 11. CERTAIN MATING TRANSCEIVERS MAY REQUIRE ADDITIONAL PCB THICKNESS THAT WOULD BE DETERMINED BY THE CUSTOMER.
- 12. PRODUCT COMPLIES WITH SPECIFICATION SFF-8433 IMPROVED PLUGGABLE FORM FACTOR FOR SFP+ GANGED CAGES.
- △ DIMENSION APPLIES PRIOR TO INSERTION OF SFP MODULE.
- △ HEATSINK, HEATSINK CLIP, AND LIGHTPIPE SHIPPED UNASSEMBLED TO CAGE ASSEMBLY. CAGE ASSEMBLY TO BE PRESSED INTO PCB PRIOR TO ATTACHING HEATSINK, HEATSINK CLIP, AND LIGHTPIPE TO THE CAGE ASSEMBLY.
- △ PACKAGED AS A COMPLETE ASSEMBLY.

△	22.5	NETWORKING, TALL	2198237-4
△	18.1	NETWORKING, SHORT	2198237-3
△	15.5	SAN	2198237-2
△	13.2	PCI	2198237-1
△	A MAX	APPLICATION	PART NUMBER

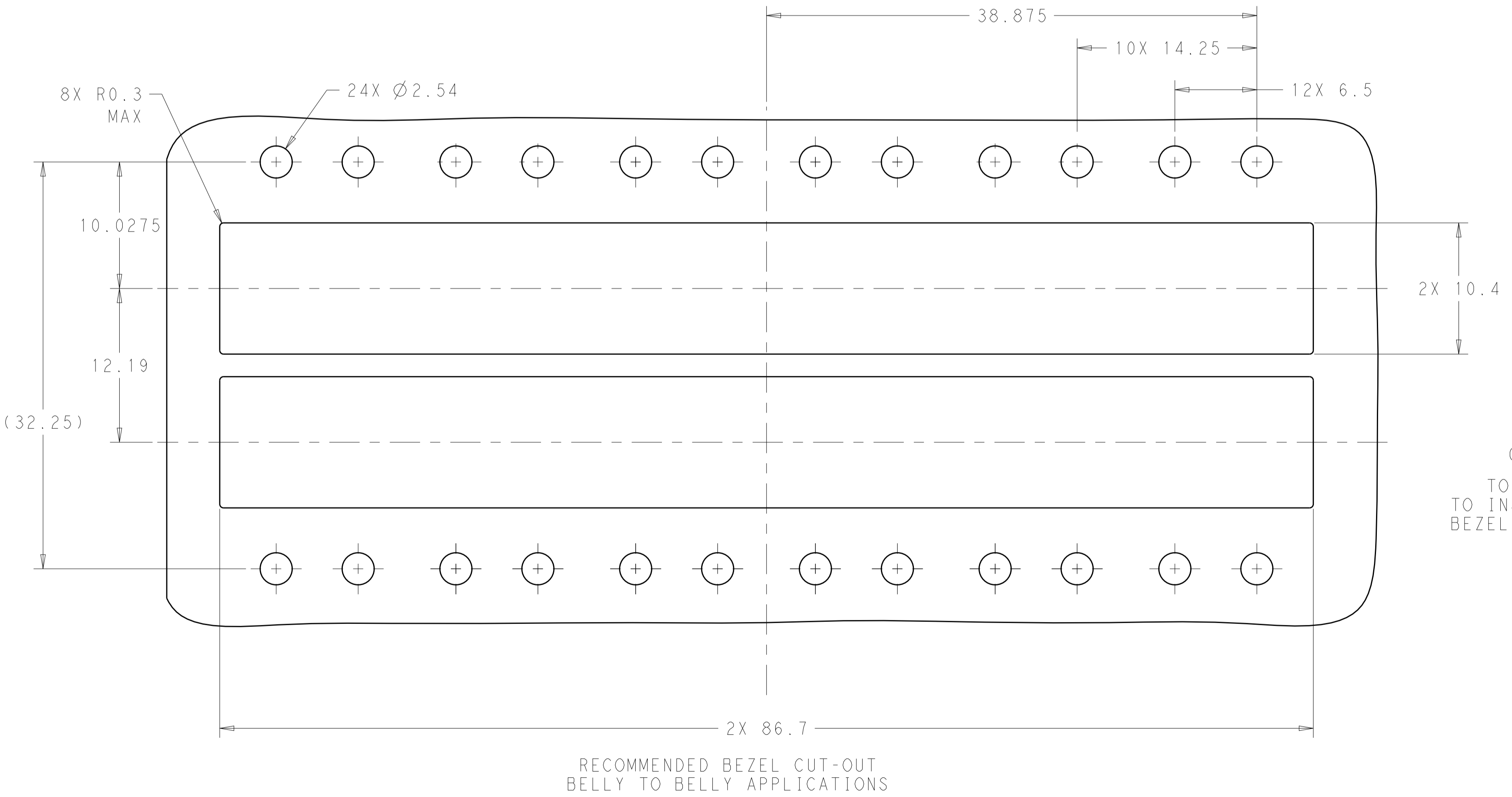
THIS DRAWING IS A CONTROLLED DOCUMENT.		DMN	B. MATTHEWS	15NOV2011
DIMENSIONS:		CHK	M. SCHMITT	15NOV2011
mm	0 PLC ±0.1	APVD	M. SCHMITT	15NOV2011
	1 PLC ±0.1	PRODUCT SPEC		
	2 PLC ±0.1	108-2364		
	3 PLC ±0.1	APPLICATION SPEC		
	4 PLC ±0.1	114-13120		
	ANGLES ±0.1	WEIGHT		
	FINISH ±1*	SIZE		
		CAGE CODE		
		DRAWING NO		
		RESTRICTED TO		
		A100779C=2198237		
		Customer Drawing		
		SCALE 4:1 SHEET 1 OF 4 REV A		

LOC	DIST	REV	DATE	BY	APPV
GP	00				

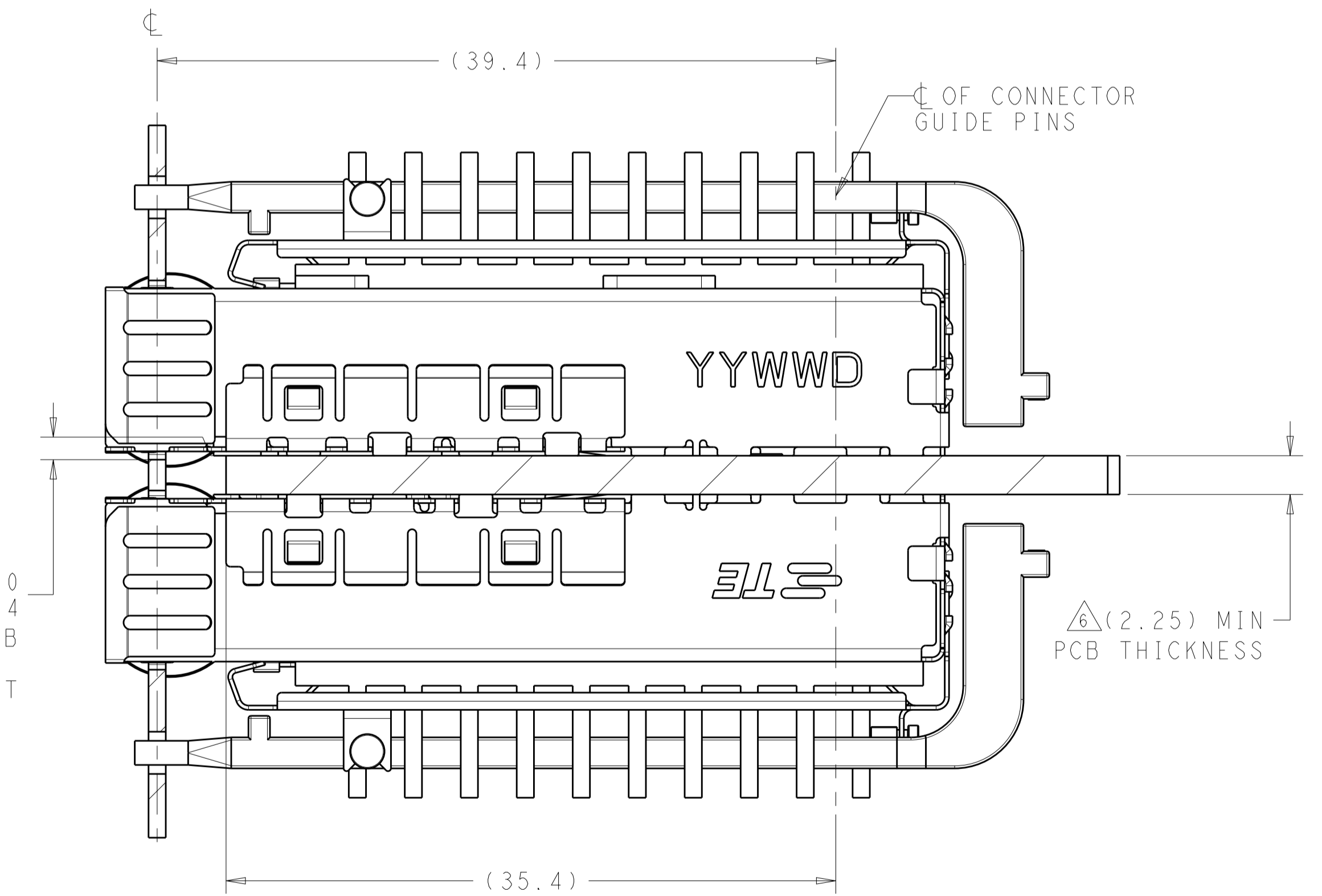
REVISIONS			DATE	BY	APPV
		SEE SHEET 1			



2198237
MOUNTED ON PC BOARD
SHOWN THRU RECOMMENDED BEZEL



0.23^{+0.10}_{-0.14}
TOP OF PCB
TO INSIDE OF
BEZEL CUT-OUT



2198237
MOUNTED BELLY TO BELLY ON PC BOARD
SHOWN THRU RECOMMENDED BEZEL

THIS DRAWING IS A CONTROLLED DOCUMENT.		OWN: B. MATTHEWS 15NOV2011	TE Connectivity
DIMENSIONS: mm		CHK: M. SCHMITT 15NOV2011	
TOLERANCES UNLESS OTHERWISE SPECIFIED:		APVD: M. SCHMITT 15NOV2011	NAME: SFP+ ENHANCED 1X6 CAGE ASSEMBLY, PRESS FIT, EXTERNAL EMI SPRINGS WITH HEATSINK AND LIGHTPIPE PRODUCT SPEC: 108-2364 APPLICATION SPEC: 114-13120
0 PLC ±0.1 1 PLC ±0.1 2 PLC ±0.1 3 PLC ±0.1 4 PLC ±0.1 ANGLES ±1°		SIZE: 114-13120 WEIGHT: - MATERIAL: - FINISH: -	
MATERIAL: -		Customer Drawing	RESTRICTED TO: - SCALE: 4:1 SHEET 2 OF 4 REV A

