



Chipsmall Limited consists of a professional team with an average of over 10 year of expertise in the distribution of electronic components. Based in Hongkong, we have already established firm and mutual-benefit business relationships with customers from,Europe,America and south Asia,supplying obsolete and hard-to-find components to meet their specific needs.

With the principle of "Quality Parts,Customers Priority,Honest Operation,and Considerate Service",our business mainly focus on the distribution of electronic components. Line cards we deal with include Microchip,ALPS,ROHM,Xilinx,Pulse,ON,Everlight and Freescale. Main products comprise IC,Modules,Potentiometer,IC Socket,Relay,Connector.Our parts cover such applications as commercial,industrial, and automotives areas.

We are looking forward to setting up business relationship with you and hope to provide you with the best service and solution. Let us make a better world for our industry!



## Contact us

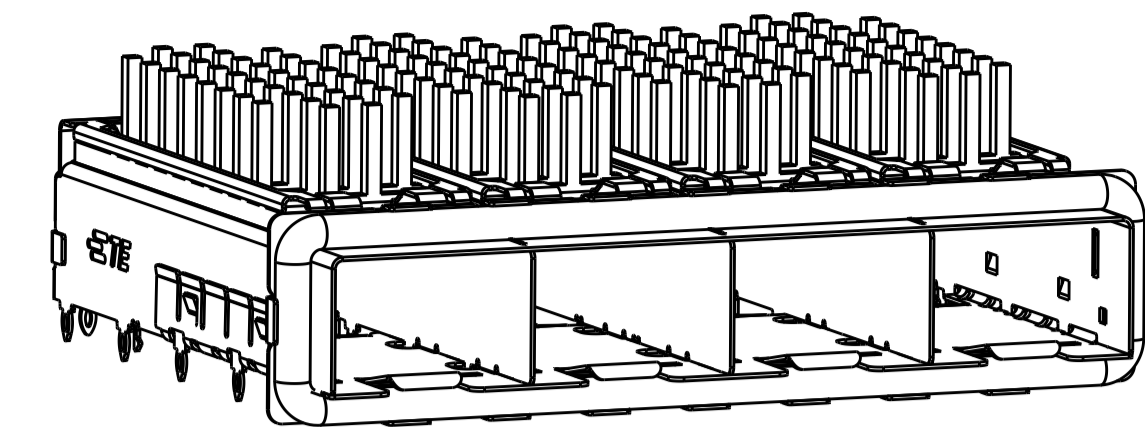
Tel: +86-755-8981 8866 Fax: +86-755-8427 6832

Email & Skype: info@chipsmall.com Web: www.chipsmall.com

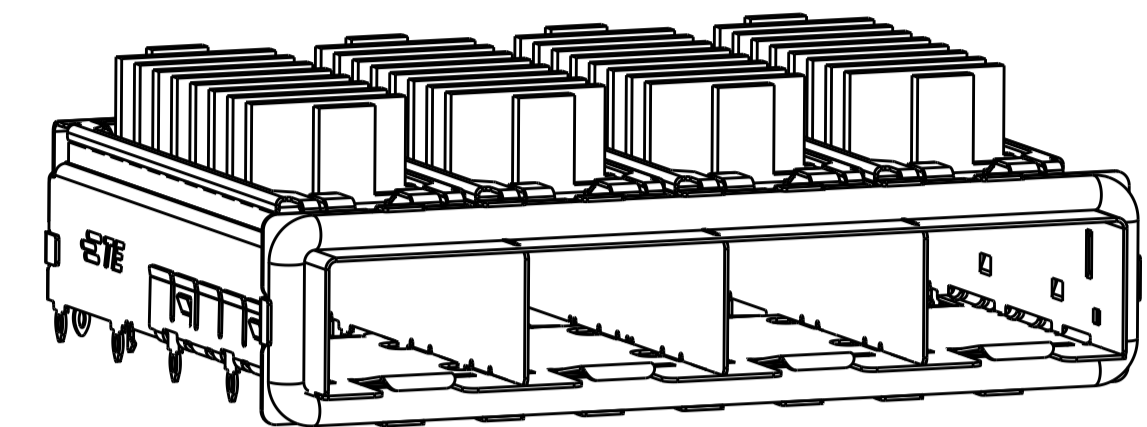
Address: A1208, Overseas Decoration Building, #122 Zhenhua RD., Futian, Shenzhen, China



LOC	DIST	REVISIONS					
GP	00	P	LYR	DESCRIPTION	DATE	DWN	APVD
		A		RELEASED PER ECO-12-013192	09OCT2012	BMM	MRS
		A1		RELEASED PER ECO-13-014600	20SEP2013	PP	SH



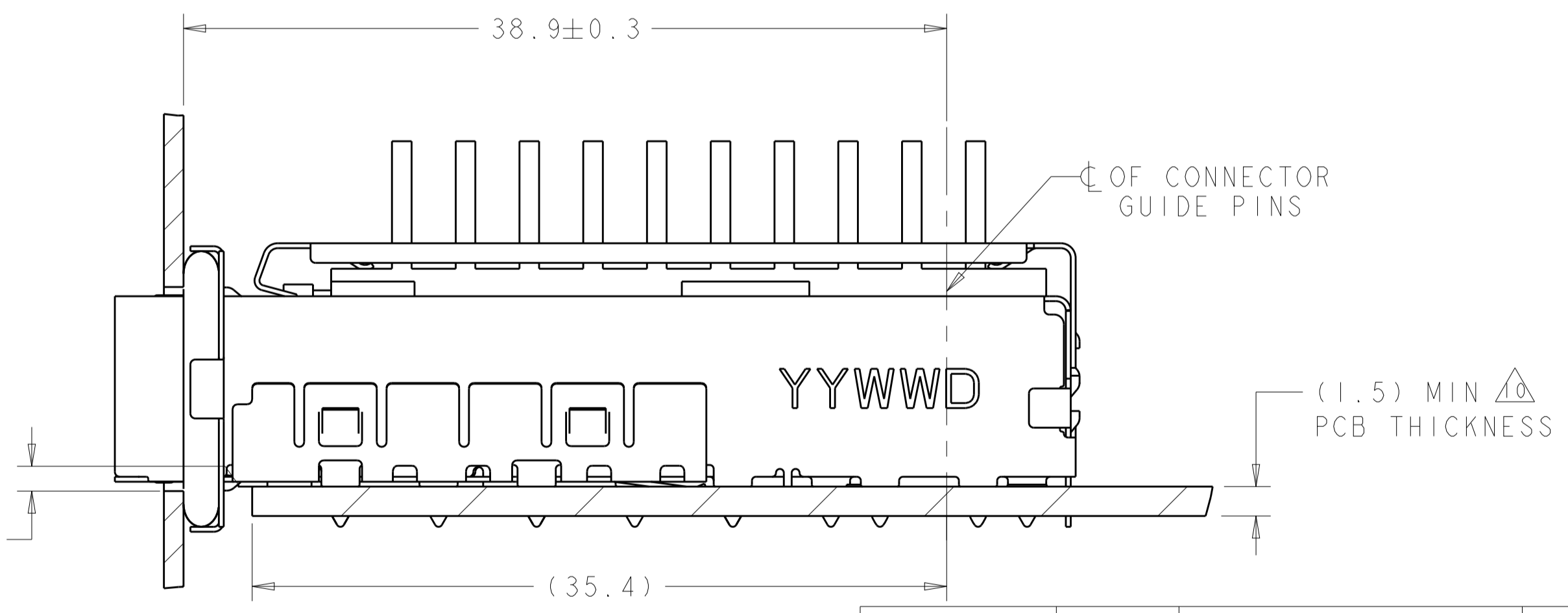
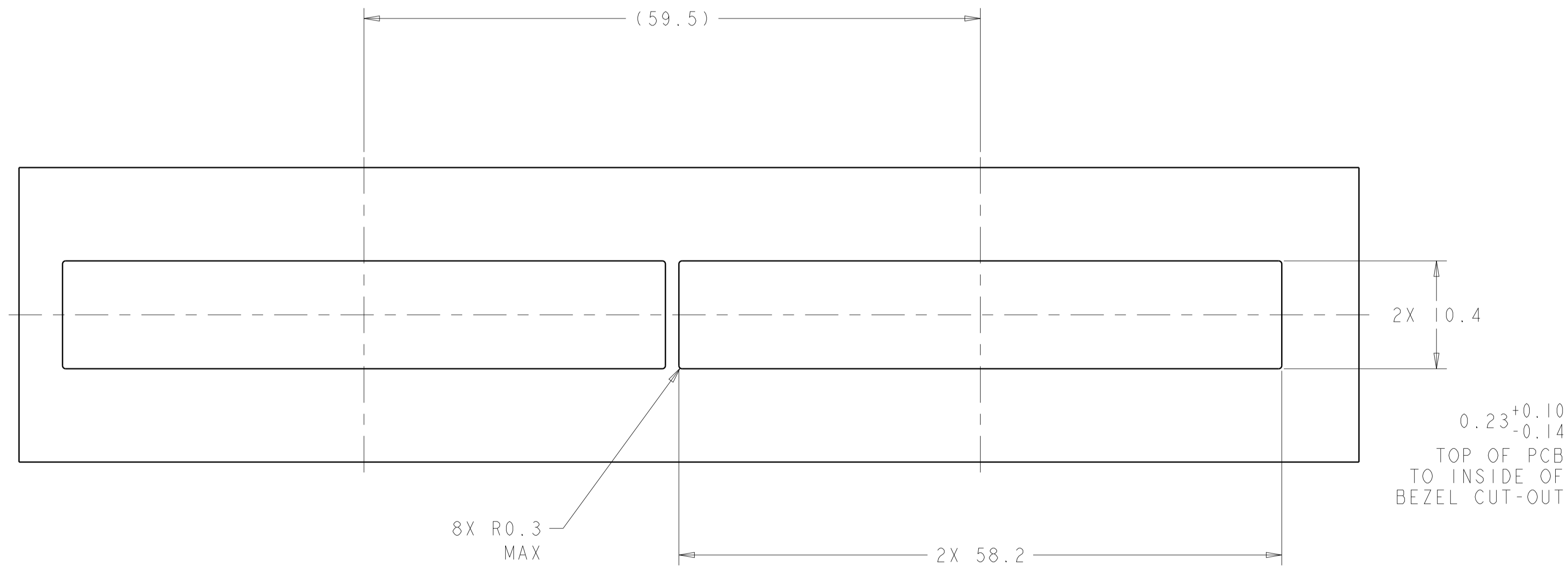
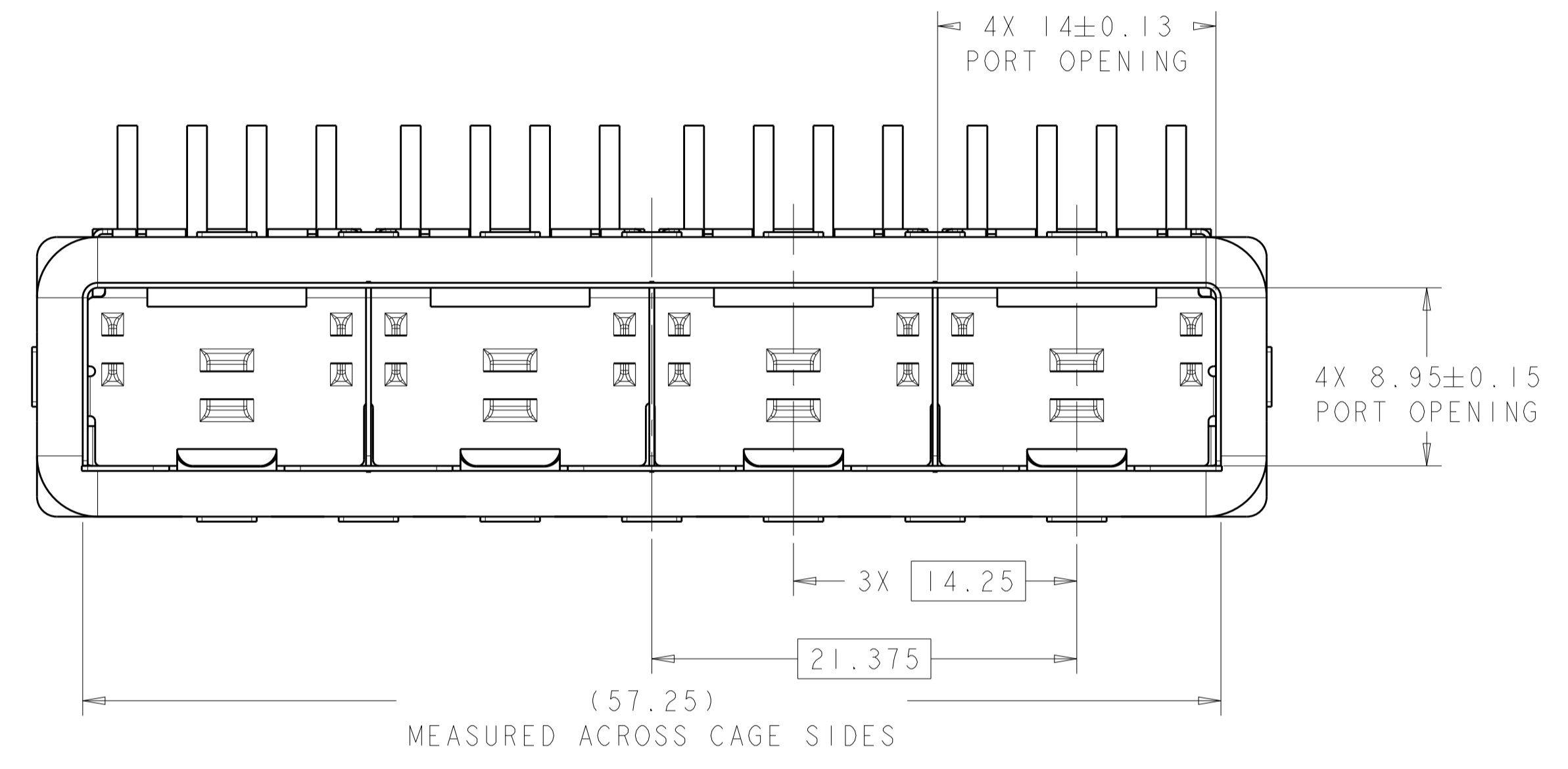
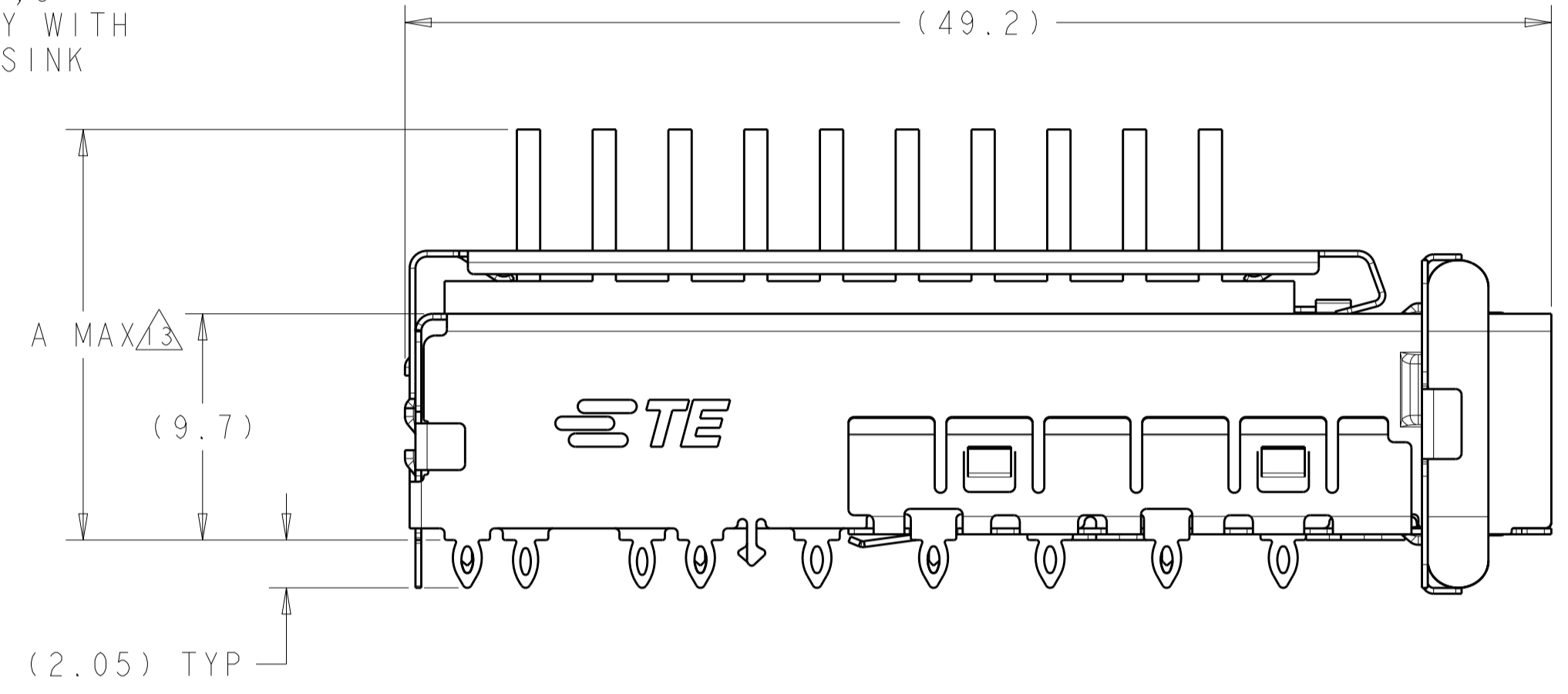
2198241-1,2,3,4  
 FINISHED ASSEMBLY WITH  
 PIN TYPE HEAT SINK



2198241-5,6,7,8  
 FINISHED ASSEMBLY WITH  
 FIN TYPE HEAT SINK

- 1 MATERIAL:  
 CAGE ASSEMBLY: 0.25mm THICK NICKEL SILVER ALLOY  
 GASKET RETENTION PLATE: STAINLESS STEEL  
 EMI GASKET: PLATED FILLED SILICONE  
 HEATSINK CLIP: STAINLESS STEEL  
 HEATSINK: ALUMINUM
- 2 FINISH:  
 HEATSINK: ELECTROLESS NICKEL  
 HEATSINK CLIP: PASSIVATE
- 3 PADS AND VIAS CHASSIS GROUND.
- 4 DATUM AND BASIC DIMENSION ESTABLISHED BY CUSTOMER.
- 5. MATES WITH SFP MSA COMPLIANT TRANSCEIVERS.
- 6. INTERPRETATION OF DATUM REFERENCE FRAME IN ACCORDANCE WITH SECT 4.4.1.1 OF ASME Y14.5M-1994.
- 7 REFERENCE APPLICATION SPEC. 114-13120, HOLE A, FOR RECOMMENDED DRILL HOLE DIAMETER AND PLATING THICKNESS.
- 8 REFERENCE APPLICATION SPEC. 114-13120, HOLE B, FOR RECOMMENDED DRILL HOLE DIAMETER AND PLATING THICKNESS.
- 9 HOLE PATTERN REPEATS FOR EACH PORT. SPACING BETWEEN PORTS IS 14.25mm.

- 10 MINIMUM PC BOARD THICKNESS:  
 SINGLE SIDED: 1.5mm
- 11. CERTAIN MATING TRANCEIVERS MAY REQUIRE ADDITIONAL PCB THICKNESS THAT WOULD NEED TO BE DETERMINED BY THE CUSTOMER.
- 12. PRODUCT COMPLIES WITH SPECIFICATION SFF-8433 IMPROVED PLUGGABLE FORM FACTOR FOR SFP+ GANGED CAGES.
- 13 DIMENSION APPLIES PRIOR TO INSERTION OF SFP MODULE.



2198241  
 MOUNTED ON PC BOARD  
 SHOWN THRU RECOMMENDED BEZEL

RECOMMENDED BEZEL CUT-OUT  
 SINGLE SIDED APPLICATIONS  
 SCALE 3:1

FIN TYPE	22.5	NETWORKING, TALL	2198241-8
FIN TYPE	18.1	NETWORKING, SHORT	2198241-7
FIN TYPE	15.5	SAN	2198241-6
FIN TYPE	13.2	PCI	2198241-5
PIN TYPE	22.5	NETWORKING, TALL	2198241-4
PIN TYPE	18.1	NETWORKING, SHORT	2198241-3
PIN TYPE	15.5	SAN	2198241-2
PIN TYPE	13.2	PCI	2198241-1
HEAT SINK	A MAX	APPLICATION	PART NUMBER

THIS DRAWING IS A CONTROLLED DOCUMENT.

DIMENSIONS: mm

TOLERANCES UNLESS OTHERWISE SPECIFIED:

0 PLC	±0.1
1 PLC	±0.1
2 PLC	±0.1
3 PLC	±0.1
4 PLC	±0.1
ANGLES	±1°

MATERIAL:

FINISH:

Customer Drawing

DWN: B. MATTHEWS, 20OCT2011  
 CHK: M. SCHMITT, 20OCT2011  
 APVD: M. SCHMITT, 20OCT2011

NAME: SFP+ ENHANCED 1X4 CAGE ASSEMBLY, PRESS FIT, EMI GASKET WITH HEATSINK

PRODUCT SPEC: 108-2364  
 APPLICATION SPEC: 114-13120

SIZE: CAGE CODE DRAWING NO: A100779  
 DRAWING NO: C=2198241

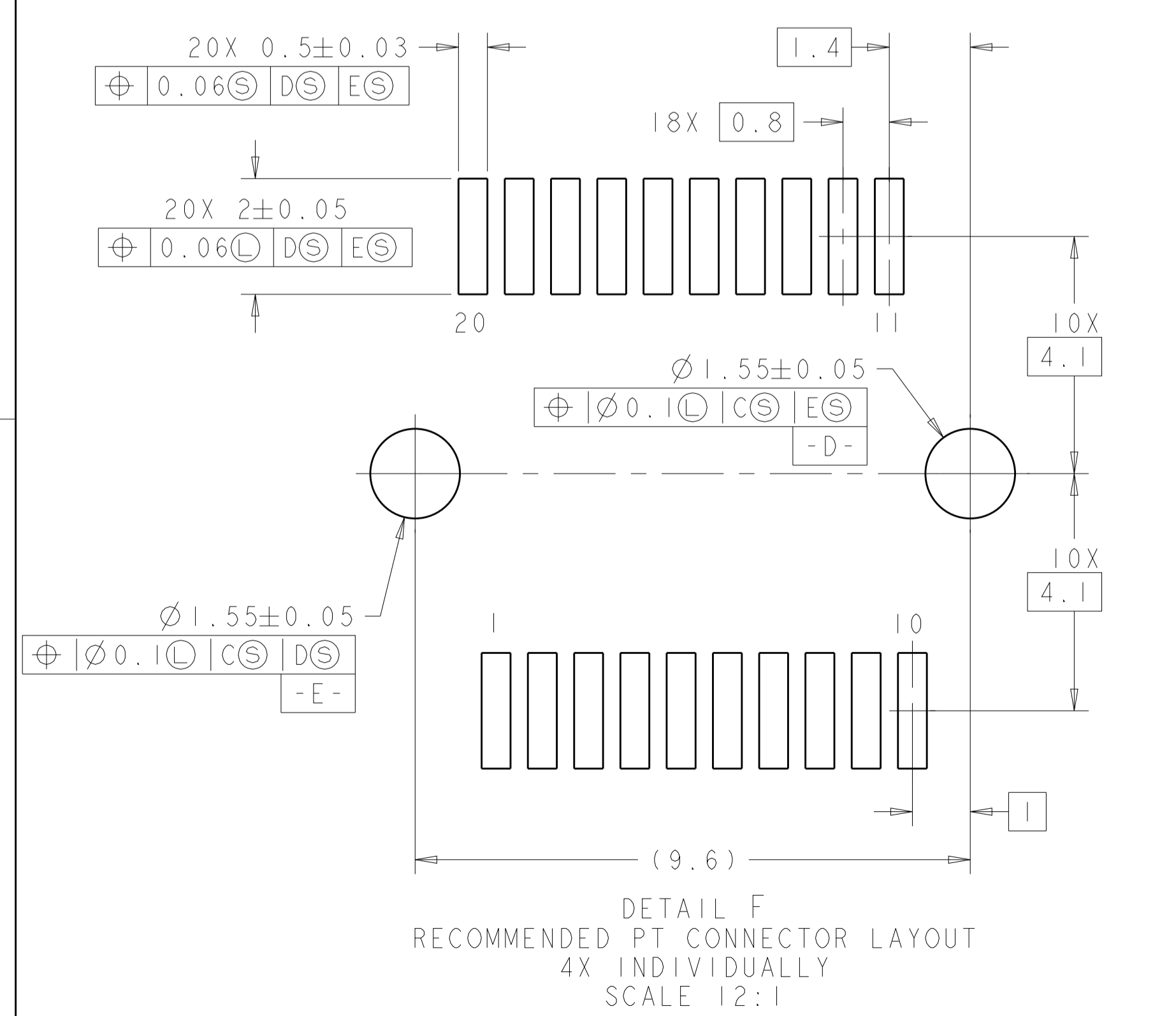
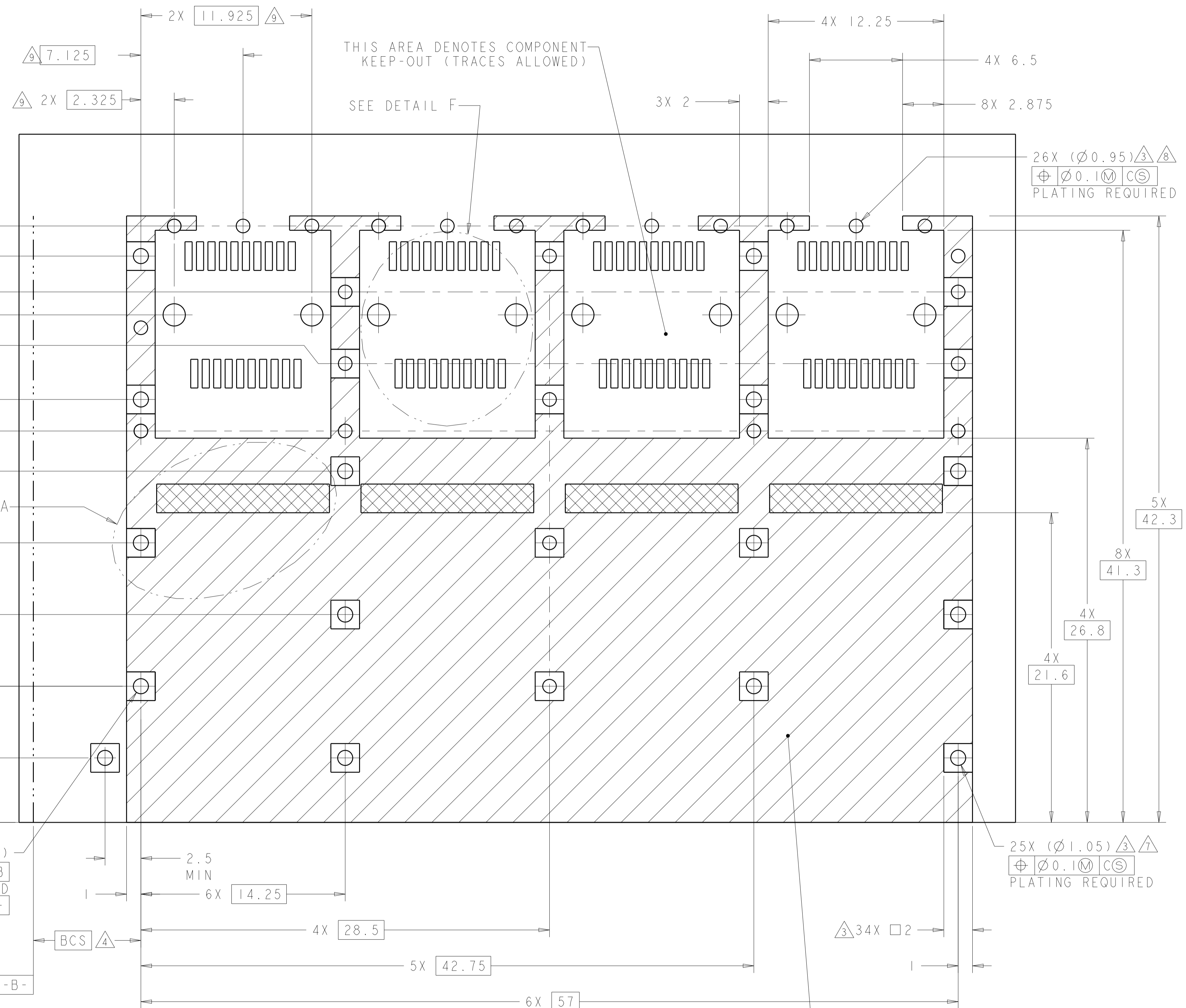
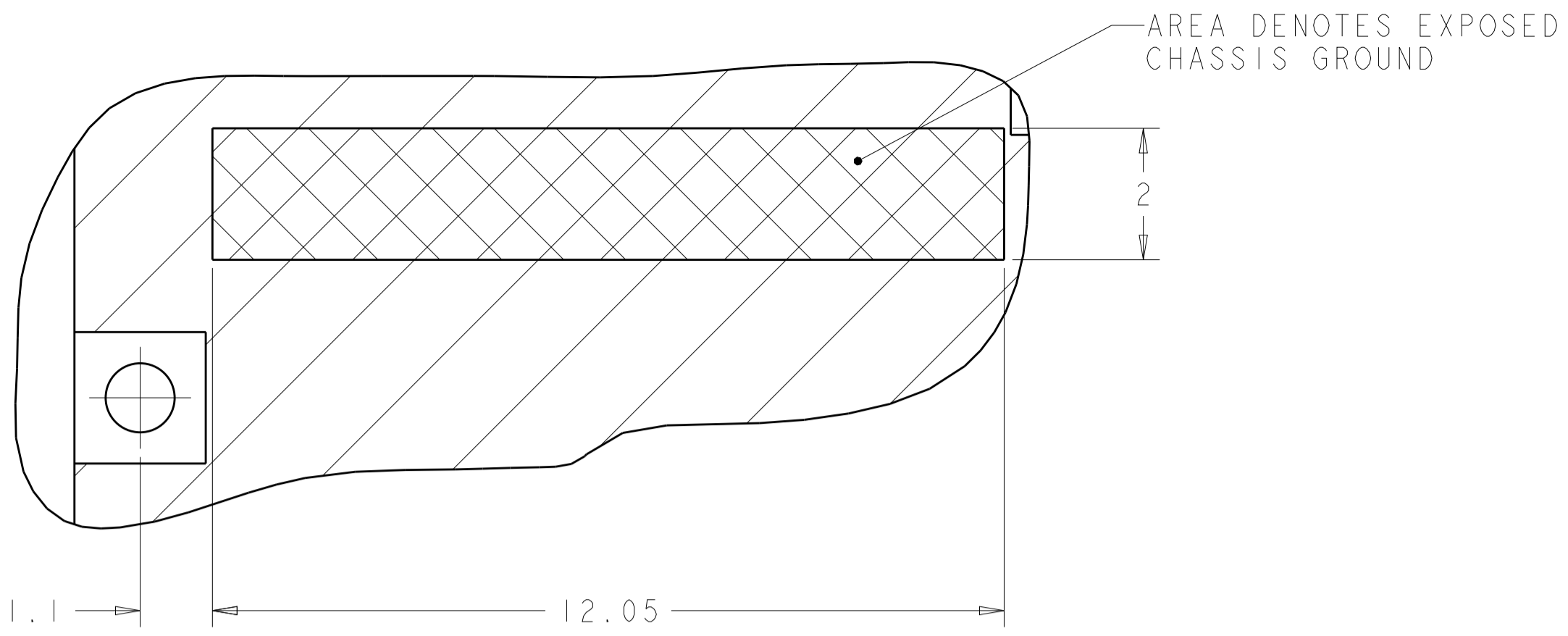
RESTRICTED TO: -

SCALE: 4:1 SHEET 1 OF 2 REV: A1

LOC	DIST	REV	DATE	BY	APPV
GP	00				

REVISIONS			
NO.	DESCRIPTION	DATE	BY
1	SEE SHEET 1		



THIS DRAWING IS A CONTROLLED DOCUMENT.		OWN: B. MATTHEWS 20OCT2011	TE Connectivity
DIMENSIONS: mm		CHK: M. SCHMITT 20OCT2011	
TOLERANCES UNLESS OTHERWISE SPECIFIED:		APVD: M. SCHMITT 20OCT2011	NAME: SFP+ ENHANCED 1X4 CAGE ASSEMBLY, PRESS FIT, EMI GASKET WITH HEATSINK PRODUCT SPEC: 108-2364 APPLICATION SPEC: 114-13120
0 PLC ±0.1 1 PLC ±0.1 2 PLC ±0.1 3 PLC ±0.1 4 PLC ±0.1 ANGLES ±1°		WEIGHT: - SCALE: 4:1	
MATERIAL:		SIZE: CAGE CODE DRAWING NO. RESTRICTED TO A100779C=2198241	
FINISH:		SHEET 2 OF 2 REV A1 Customer Drawing	