



Chipsmall Limited consists of a professional team with an average of over 10 year of expertise in the distribution of electronic components. Based in Hongkong, we have already established firm and mutual-benefit business relationships with customers from,Europe,America and south Asia,supplying obsolete and hard-to-find components to meet their specific needs.

With the principle of “Quality Parts,Customers Priority,Honest Operation,and Considerate Service”,our business mainly focus on the distribution of electronic components. Line cards we deal with include Microchip,ALPS,ROHM,Xilinx,Pulse,ON,Everlight and Freescale. Main products comprise IC,Modules,Potentiometer,IC Socket,Relay,Connector.Our parts cover such applications as commercial,industrial, and automotives areas.

We are looking forward to setting up business relationship with you and hope to provide you with the best service and solution. Let us make a better world for our industry!



Contact us

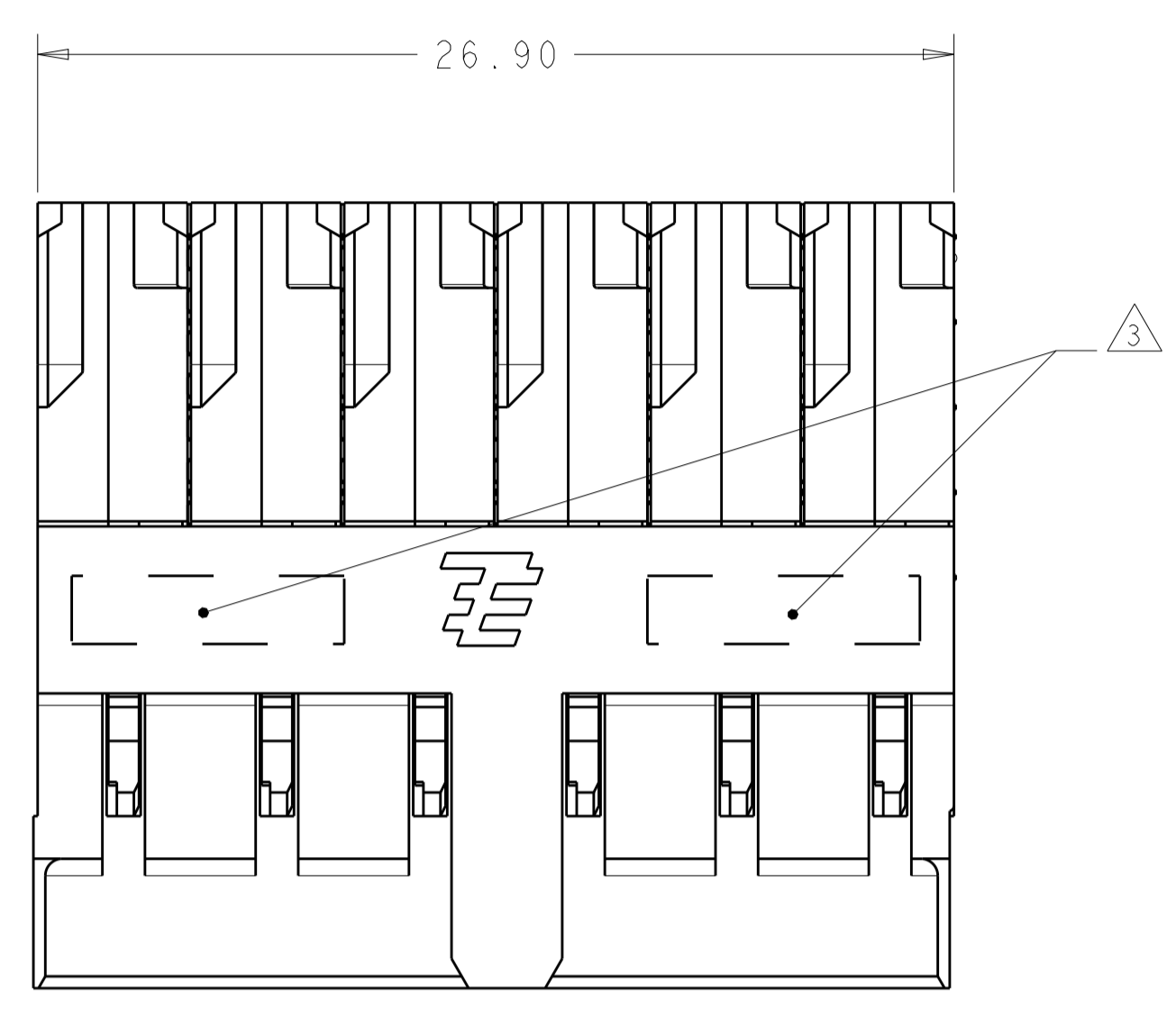
Tel: +86-755-8981 8866 Fax: +86-755-8427 6832

Email & Skype: info@chipsmall.com Web: www.chipsmall.com

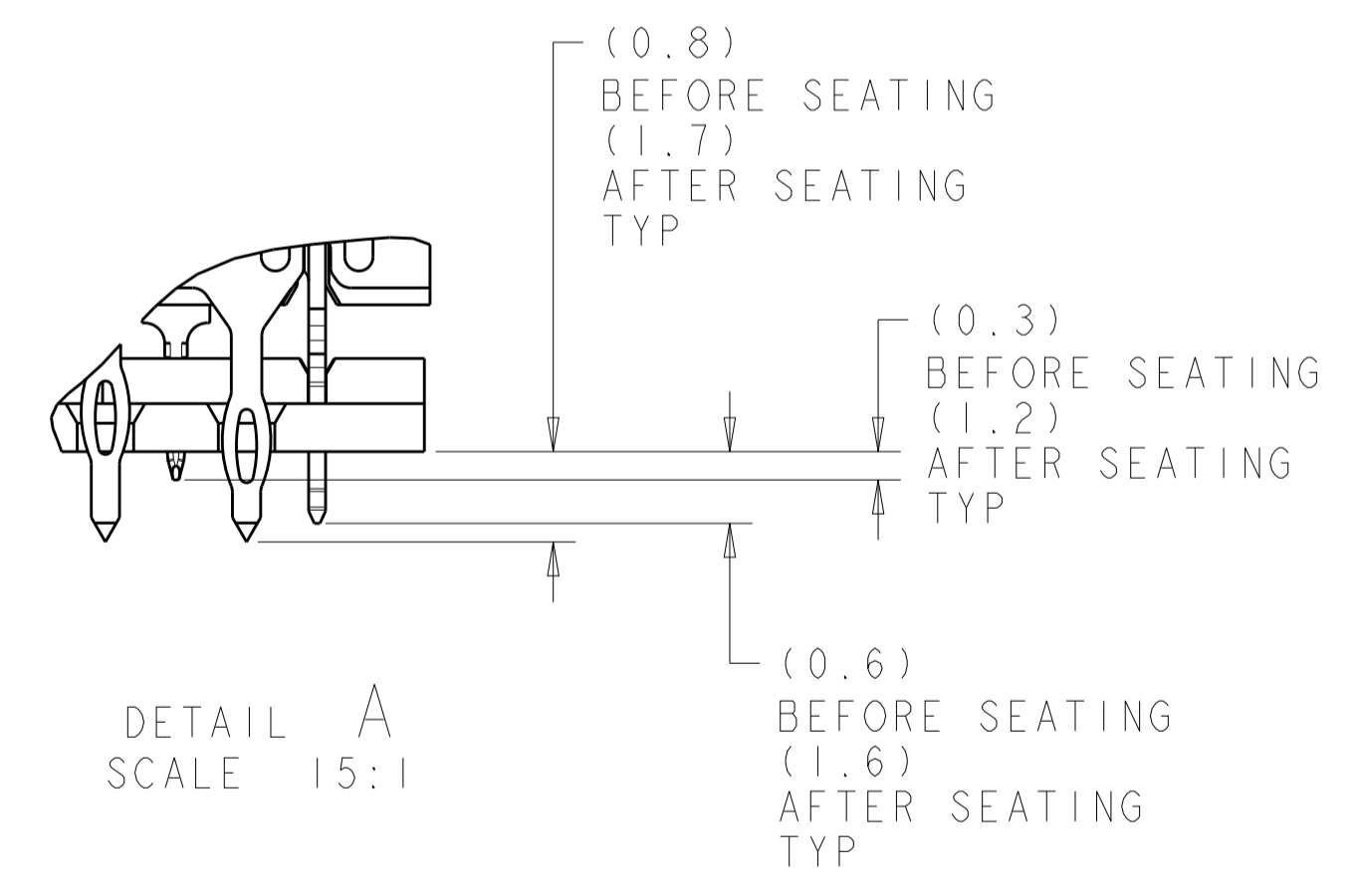
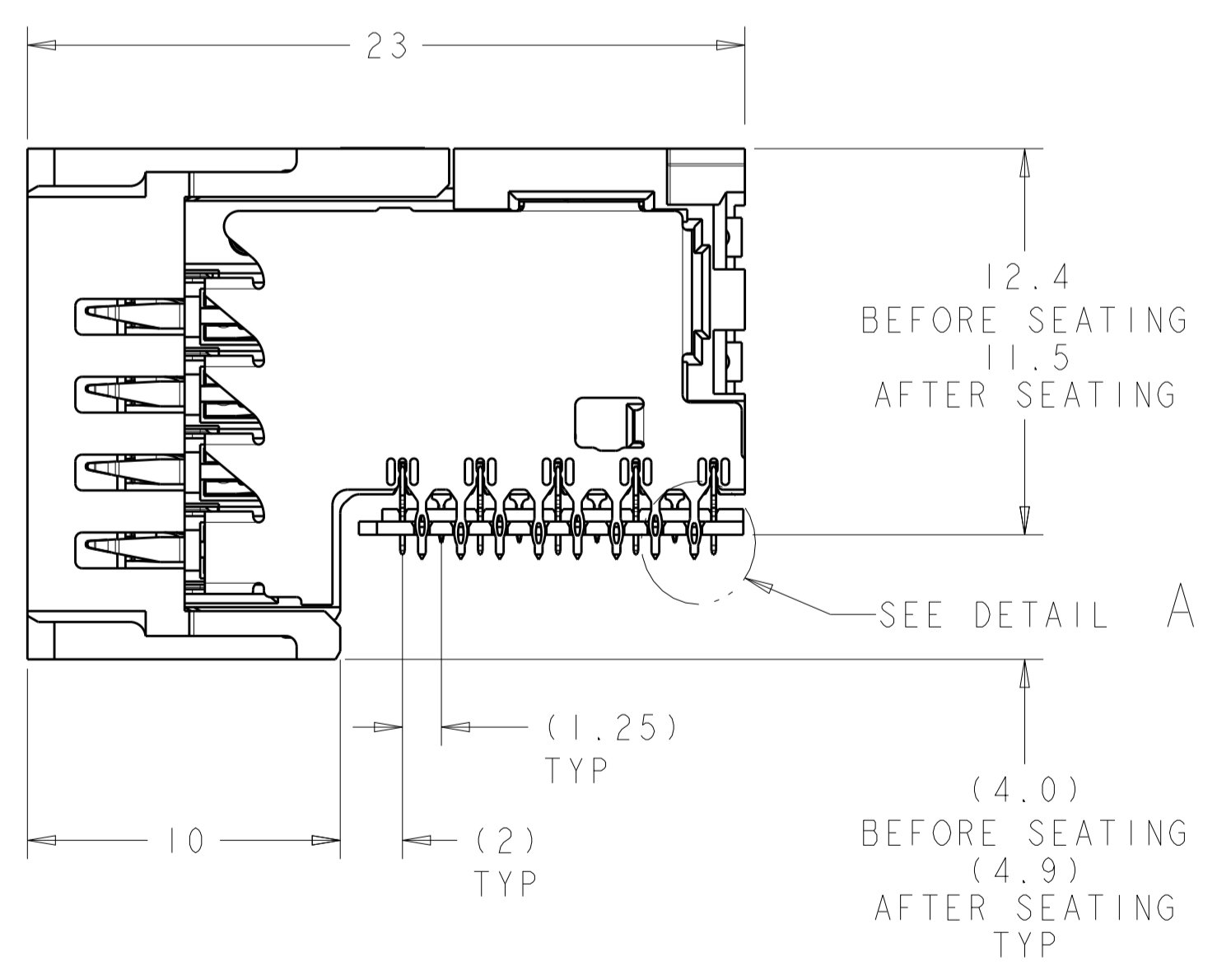
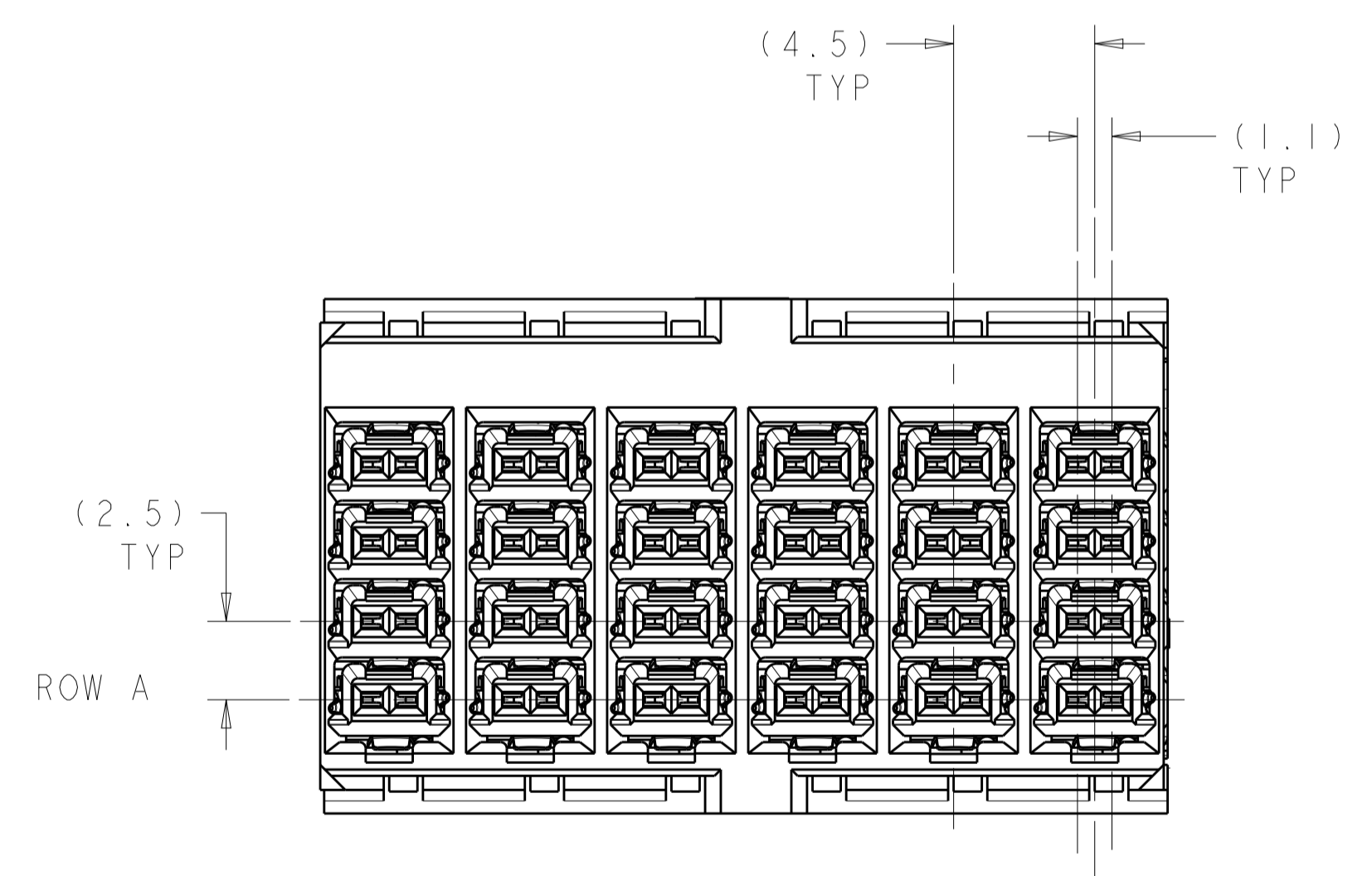
Address: A1208, Overseas Decoration Building, #122 Zhenhua RD., Futian, Shenzhen, China



LOC	DIST	REVISIONS			
P	LTN	DESCRIPTION	DATE	DWN	APVD
A		RELEASED	25MAR2014	RT	NS



- △ MATERIAL:
CONTACT AND SHIELD - COPPER ALLOY.
HOUSINGS, AND ORGANIZER - THERMOPLASTIC, UL 94V-0, BLACK.
- △ CONFORMS TO REQUIREMENTS OF TE PRODUCT SPECIFICATIONS 108-2413 & 108-32037, BASED ON TELCORDIA GR-1217-CORE FOR SYSTEM QUALITY LEVEL III; APPLICATIONS IN CONTROLLED ENVIRONMENTS (CENTRAL OFFICE).
- △ CONNECTOR MARKED WITH PART NUMBER, DATE CODE, MANUFACTURING LOCATION IDENTIFICATION CODE, AND 2D BARCODE IN APPROXIMATE AREA SHOWN.
- 4. CONTACT AREA LUBRICATED WITH BELLCORE APPROVED LUBRICANT. TECHNICAL REFERENCE: GR-1217-CORE, ISSUE 2, DECEMBER 2008.
- △ PLATED THRU HOLE REQUIREMENTS:
FINISHED HOLE = $\varnothing 0.344 \pm 0.039$
DRILLED HOLE = $\varnothing 0.420 \pm 0.013$
COPPER THICKNESS = 0.038 ± 0.013
IMMERSION TIN IF APPLICABLE = 0.00051 ± 0.00013
- △ PLATED THRU HOLE REQUIREMENTS:
FINISHED HOLE = $\varnothing 0.244 \pm 0.039$
DRILLED HOLE = $\varnothing 0.320 \pm 0.013$
COPPER THICKNESS = 0.038 ± 0.013
IMMERSION TIN IF APPLICABLE = 0.00051 ± 0.00013
- △ PTH DIMENSIONS APPLY TO 1.00mm DEPTH FROM MOUNT SIDE OF PCB.
- △ HOLE POSITION TOLERANCE APPLIES WITHIN PATTERN FOR CONNECTOR PATTERN TO CONNECTOR PATTERN, A 0.12M POSITION TOLERANCE APPLIES.

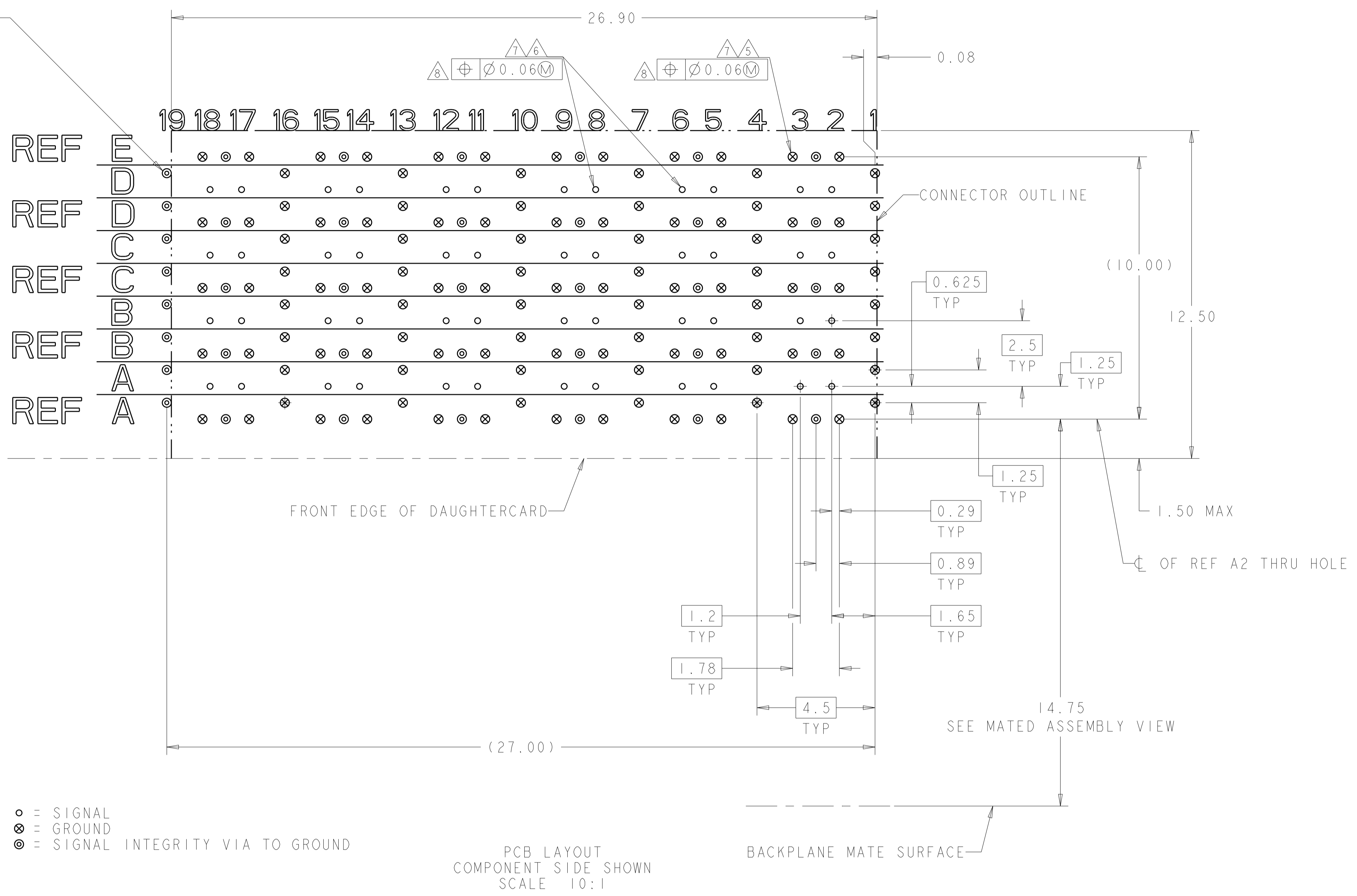


TIN	2198267-2
TIN-LEAD	2198267-1
PRESS FIT TAIL PLATING	PART NO

THIS DRAWING IS A CONTROLLED DOCUMENT.		DWN R. THOMPSON 29NOV2011	TE Connectivity	
DIMENSIONS:		CHK N. SWANGER 29NOV2011	NAME	
mm	TOLERANCES UNLESS OTHERWISE SPECIFIED:	APVD N. SWANGER 29NOV2011	RECEPTACLE ASSEMBLY, 4 PAIR 6 COLUMN, RIGHT ANGLE, 4.5mm PITCH, STRADA WHISPER 360	
0 PLC	± 0.2	PRODUCT SPEC	SIZE	RESTRICTED TO
1 PLC	± 0.2	APPLICATION SPEC	114-13301	A100779C=2198267
2 PLC	± 0.08	FINISH	Customer Drawing	SCALE 5:1 SHEET 1 OF 2 REV A
3 PLC	± 0.013	SEE TABLE		
4 PLC	\pm			
ANGLES	\pm			
MATERIAL				

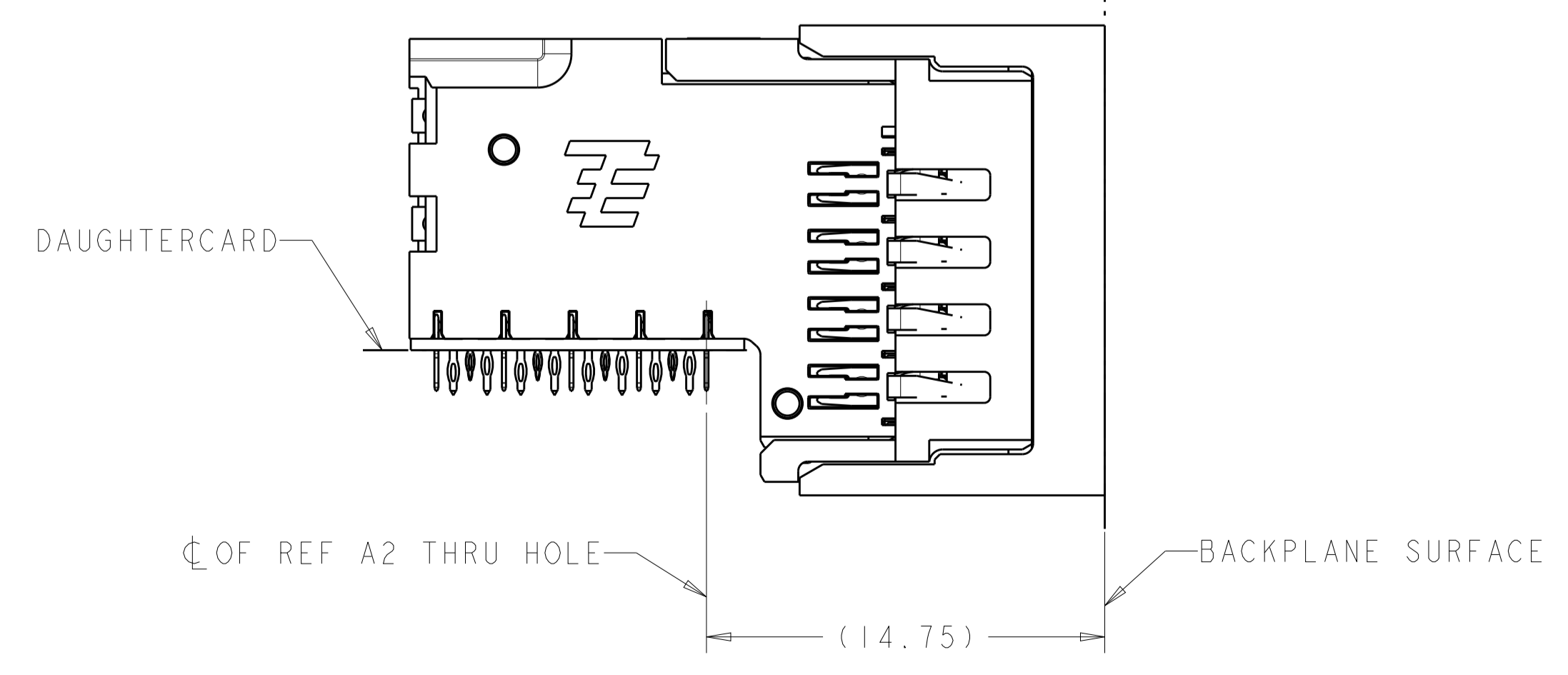
LOC	DIST	REVISIONS			
GP	00	REV	DATE	BY	APPV
		1	SEE SHEET 1		

FOOTPRINT SHOWN IS FOR SINGLE MODULE APPLICATION. WHEN CONNECTORS ARE STACKED SIDE BY SIDE, THESE SI VIAS ARE USED AS GROUNDS BY THE NEXT CONNECTOR



○ = SIGNAL
 ⊗ = GROUND
 ⊗ = SIGNAL INTEGRITY VIA TO GROUND

PCB LAYOUT
 COMPONENT SIDE SHOWN
 SCALE 10:1



MATED ASSEMBLY VIEW
 SCALE 5:1

THIS DRAWING IS A CONTROLLED DOCUMENT.		OWN: R. THOMPSON 29NOV2011 CHK: N. SWANGER 29NOV2011 APPV: N. SWANGER 29NOV2011	TE Connectivity NAME: RECEPTACLE ASSEMBLY, 4 PAIR 6 COLUMN, RIGHT ANGLE, 4.5mm PITCH, STRADA WHISPER 360 PRODUCT SPEC: $\Delta 2$ APPLICATION SPEC: 114-13301 SIZE: A1 CAGE CODE: 00779 DRAWING NO: C=2198267 WEIGHT: - MATERIAL: SEE TABLE FINISH: - ANGLE: - RESTRICTED TO: - SCALE: 5:1 SHEET 2 OF 2 REV A
DIMENSIONS: mm	TOLERANCES UNLESS OTHERWISE SPECIFIED:	0 PLC ± 0.2 1 PLC ± 0.2 2 PLC ± 0.08 3 PLC ± 0.013 4 PLC \pm ANGLES: -	