



Chipsmall Limited consists of a professional team with an average of over 10 year of expertise in the distribution of electronic components. Based in Hongkong, we have already established firm and mutual-benefit business relationships with customers from,Europe,America and south Asia,supplying obsolete and hard-to-find components to meet their specific needs.

With the principle of “Quality Parts,Customers Priority,Honest Operation,and Considerate Service”,our business mainly focus on the distribution of electronic components. Line cards we deal with include Microchip,ALPS,ROHM,Xilinx,Pulse,ON,Everlight and Freescale. Main products comprise IC,Modules,Potentiometer,IC Socket,Relay,Connector.Our parts cover such applications as commercial,industrial, and automotives areas.

We are looking forward to setting up business relationship with you and hope to provide you with the best service and solution. Let us make a better world for our industry!



Contact us

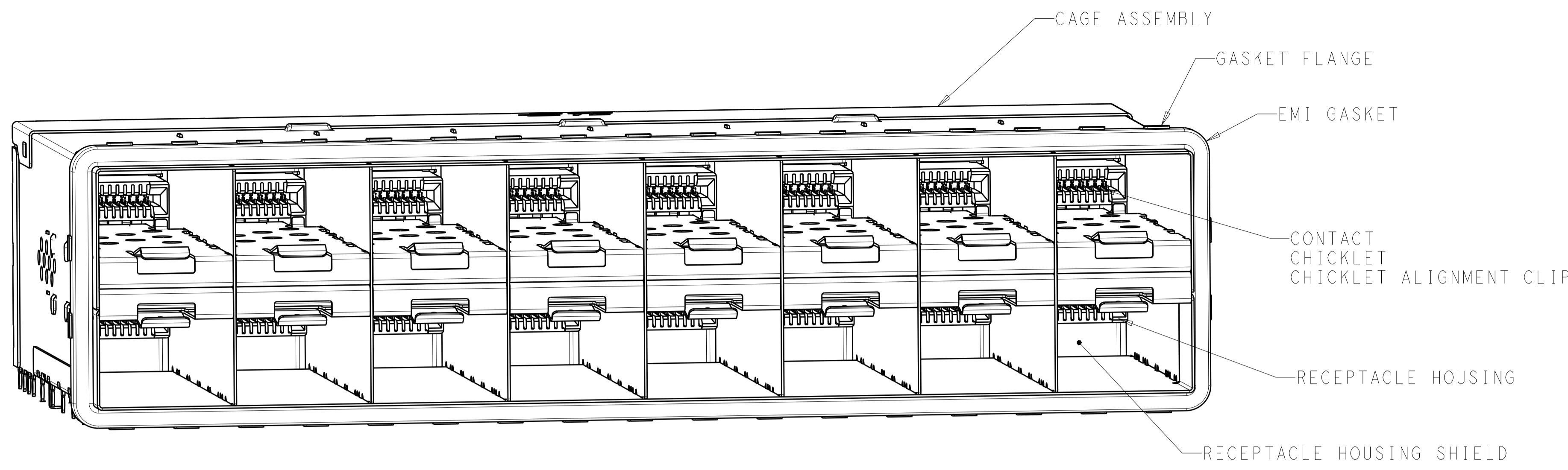
Tel: +86-755-8981 8866 Fax: +86-755-8427 6832

Email & Skype: info@chipsmall.com Web: www.chipsmall.com

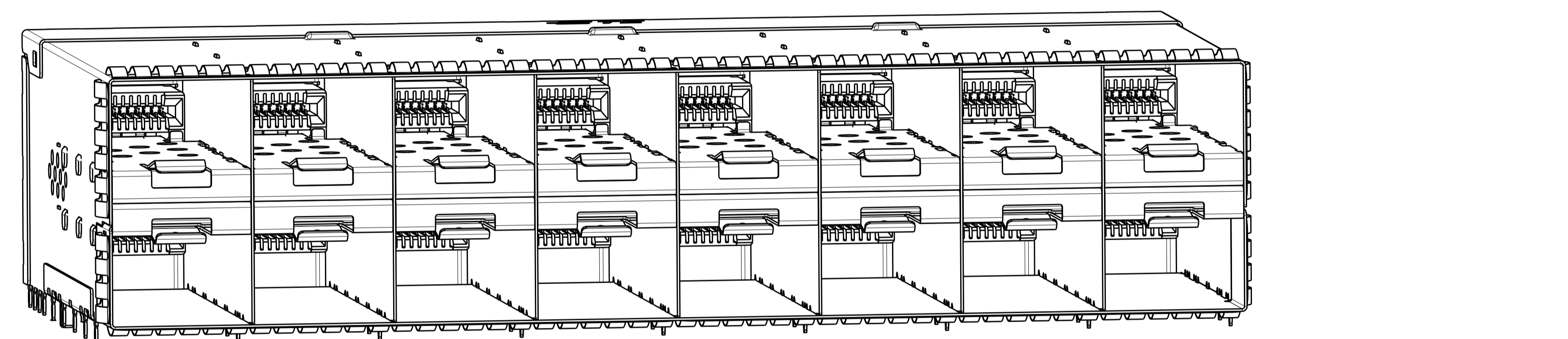
Address: A1208, Overseas Decoration Building, #122 Zhenhua RD., Futian, Shenzhen, China



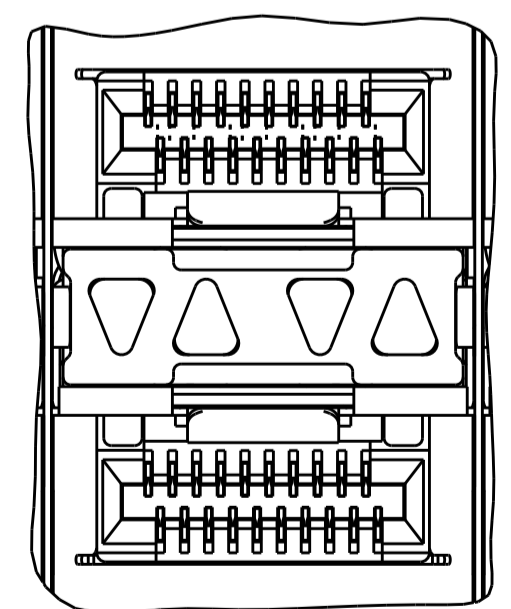
LOC	DIST	REVISIONS					
GP	00	P	LTN	DESCRIPTION	DATE	DWN	APVD
B				REVISED PER ECO-15-010819	20SEP2015	PP	SH
B1				REVISED PER ECO-16-004263	17MAR2016	KO	SH
B2				ADD -32	12JUL2016	PP	SH
B3				AD -40	20SEP2016	PP	SH



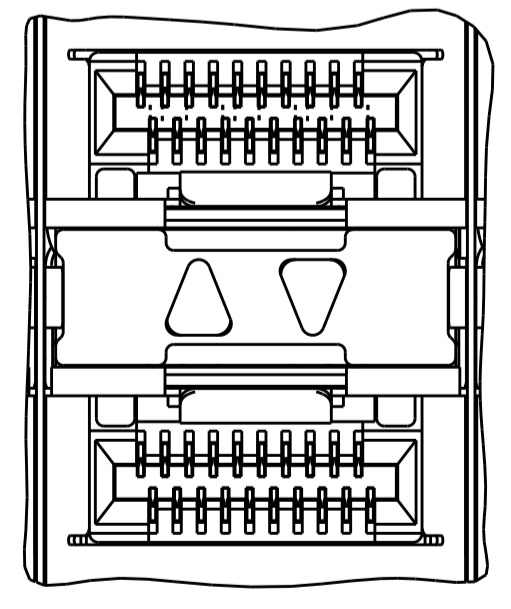
2198346-1



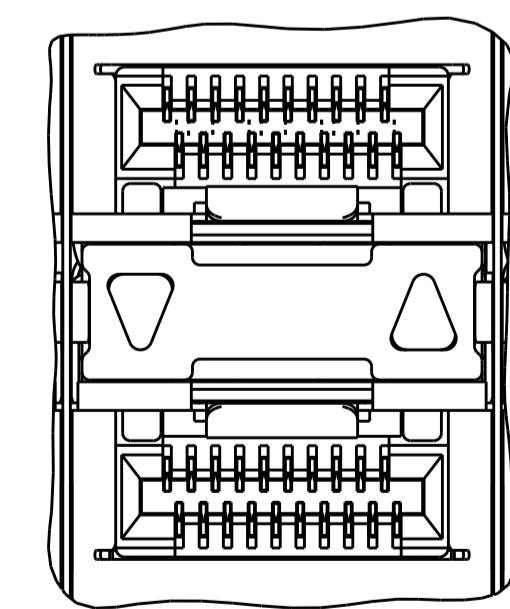
2198346-5



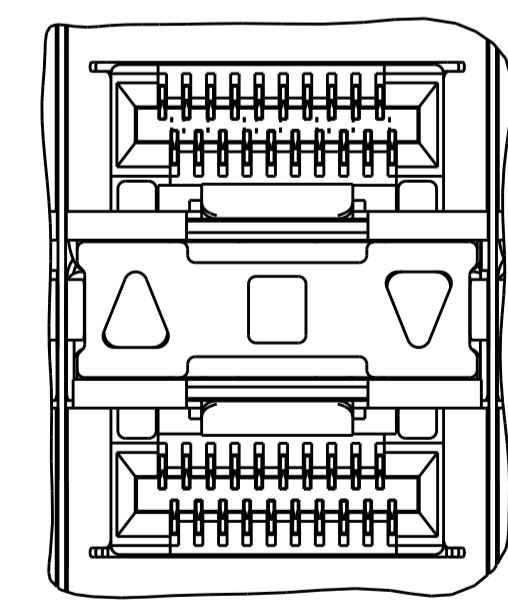
INNER/OUTER LIGHT PIPE
 2198346-2, 2198346-6
 SCALE 4:1



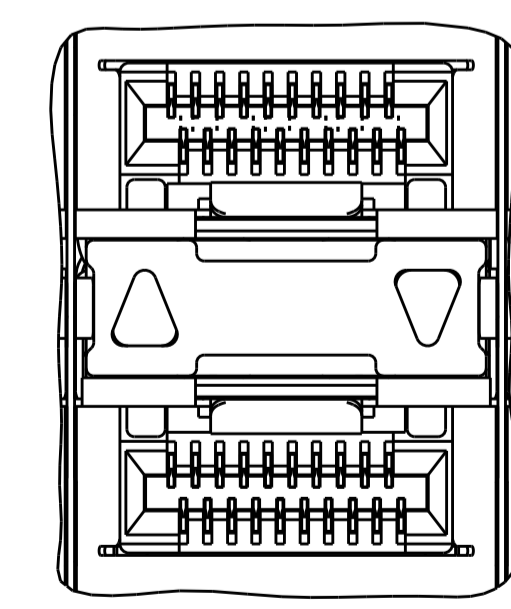
INNER LIGHT PIPE
 2198346-3, 2198346-7
 4-2198346-0
 SCALE 4:1



OUTER LIGHT PIPES
 2198346-4, 2198346-8
 SCALE 4:1



CENTER/REVERSED OUTER LIGHT PIPES
 1-2198346-7, 1-2198346-9
 SCALE 4:1



REVERSED OUTER LIGHT PIPES
 1-2198346-8, 2-2198346-0
 SCALE 4:1

- MATERIALS:
 CAGE ASSEMBLY - NICKEL-SILVER ALLOY PER ASTM B 122
 CONNECTOR HOUSING - LCP, BLACK, UL 94V-0 RATED
 CONNECTOR HOUSING SHIELD - COPPER ALLOY
 CHICKLET - LCP, BLACK, UL 94V-0 RATED
 CHICKLET ALIGNMENT CLIP - PBT
 CONTACT - COPPER ALLOY
 EMI GASKET - ELASTOMERIC
 GASKET FLANGE - STAINLESS STEEL
 EMI SPRINGS - PHOSPHOR BRONZE PER ASTM B 103,
 0.8µm MIN TIN PER ASTM B 545
 LIGHT PIPE - POLYCARBONATE
 LIGHT PIPE HOUSING - ZINC ALLOY

- CONTACT FINISH:
 CONFORMS TO THE REQUIREMENTS OF PRODUCT SPECIFICATION
 108-2481, BASED ON EIA/ECA-364-1000.01A, (CONTROLLED
 ENVIRONMENT APPLICATIONS) ON MATING INTERFACE,
 TIN ON NEEDLE EYE

- PCB MINIMUM THICKNESS = 1.5mm

- FOR HOLE SIZE AND PLATINGS,
 SEE APPLICATION SPECIFICATION 114-13319

- LIGHT PIPE PAD LAYOUT IS FOR 0805 LOW PROFILE
 LED PACKAGE WITH A HEIGHT OF 0.8mm

- DIMENSIONS APPLY FOR EMI SPRINGS ONLY

- THE ENTIRE AREA OF THE CONNECTOR FOOTPRINT, INDICATED BY THE
 DASHED LINE, TO BE CONSIDERED THE KEEPOUT AREA FOR COMPONENTS
 AND SIGNAL TRACES, TOP SIDE ONLY, TOP SIDE TRACES ALLOWED
 WITHIN CONNECTOR HOLE PATTERN

- THE DIMENSIONS APPLY TO 4-2198346-0 ONLY.

116.5	THERMAL HOLE TOP SURFACE	INNER	4-2198346-0
119.25	EMI GASKET LOW PROFILE FLANGE	INNER	3-2198346-2
116.5	EMI SPRINGS AIRFLOW ENHANCE TYPE	NONE	3-2198346-1
119.25	EMI GASKET AIRFLOW ENHANCE TYPE	NONE	3-2198346-0
116.5	EMI SPRINGS	REVERSED OUTER	2-2198346-0
		CENTER/REVERSED OUTER	1-2198346-9
119.25	EMI GASKET	REVERSED OUTER	1-2198346-8
		CENTER/REVERSED OUTER	1-2198346-7
116.5	EMI SPRINGS	OUTER	2198346-8
		INNER	2198346-7
		INNER/OUTER	2198346-6
119.25	EMI GASKET	NONE	2198346-5
		OUTER	2198346-4
		INNER	2198346-3
		INNER/OUTER	2198346-2
(E)	CAGE TYPE	NONE	2198346-1
		LIGHT PIPE CONFIGURATION	
		PART NUMBER	

THIS DRAWING IS A CONTROLLED DOCUMENT. DWN 09DEC2011
 CHW M.E. CONNER 13DEC2011
 M.D. MORRISON
 APVD M.D. MORRISON 13DEC2011

STE TE Connectivity

NAME RECEPTACLE ASSEMBLY, 2X8, STACKED, zSFP+

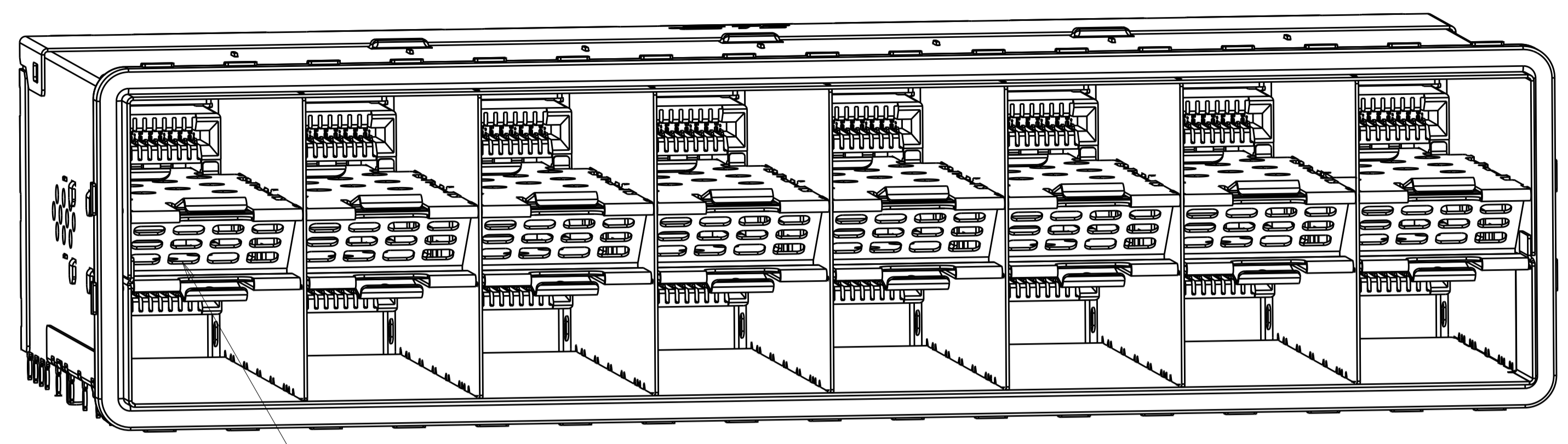
PRODUCT SPEC 108-2481
 APPLICATION SPEC 114-13319

SIZE CAGE CODE DRAWING NO RESTRICTED TO
 A100779C=2198346

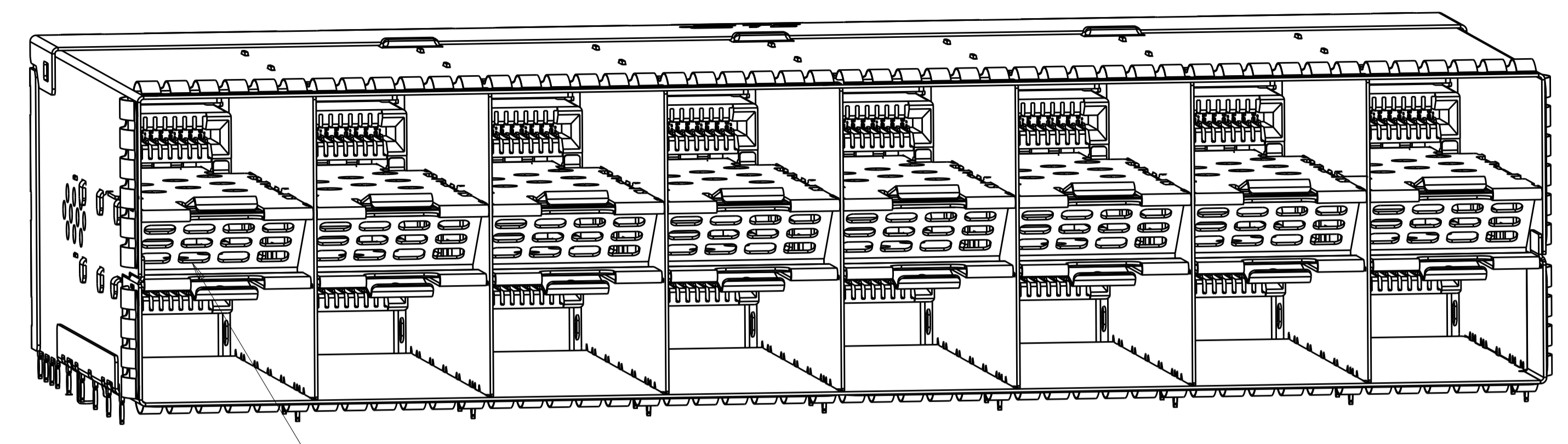
MATERIAL SEE NOTES FINISH SEE NOTES WEIGHT Customer Drawing SCALE 3:1 SHEET 1 OF 6 REV B3

LOC		DIST		REVISIONS			
P.	LTN	DESCRIPTION	DATE	OWN	APVD		
-	-	SEE SHEET 1	-	-	-		

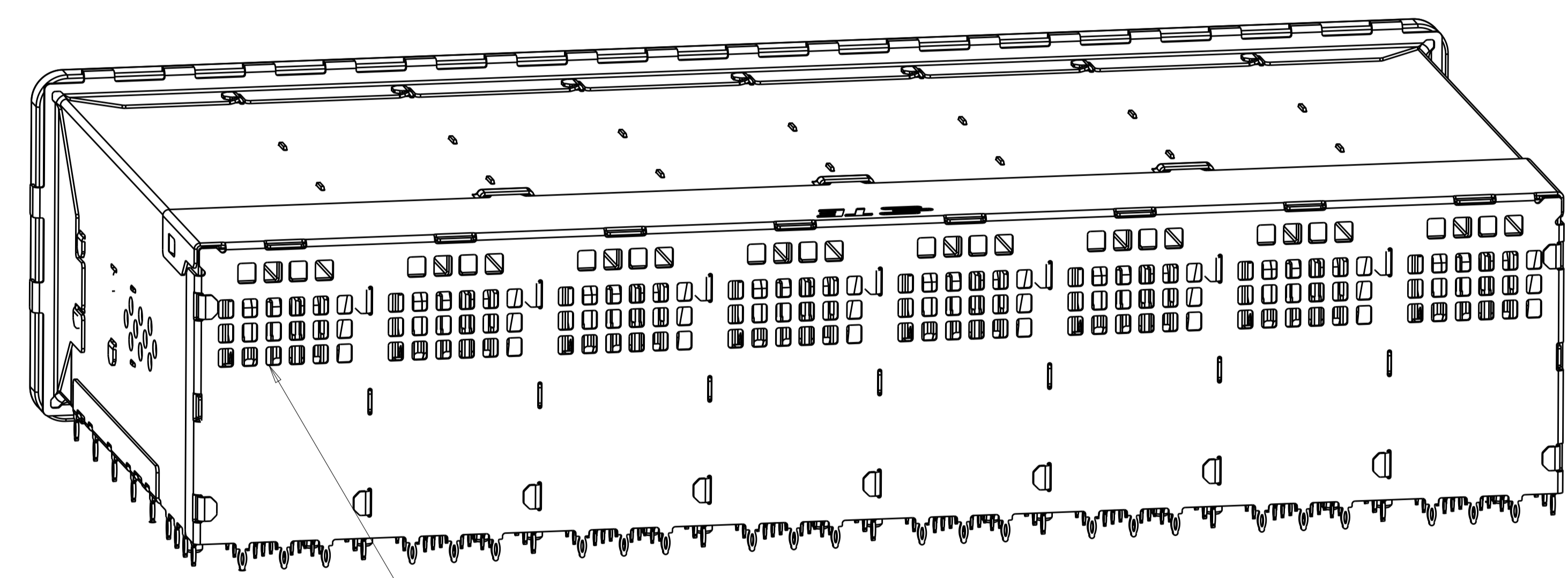
AIRFLOW ENHANCE TYPE



AIR VENTS

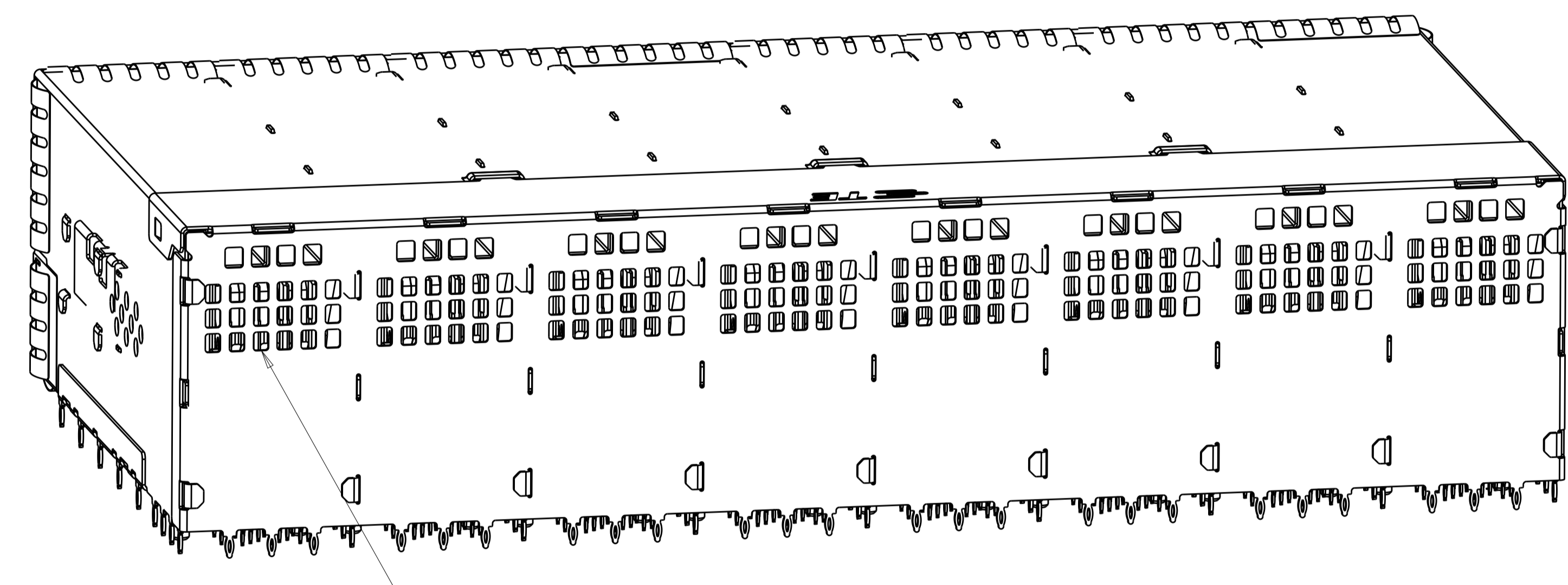


AIR VENTS



AIR VENTS

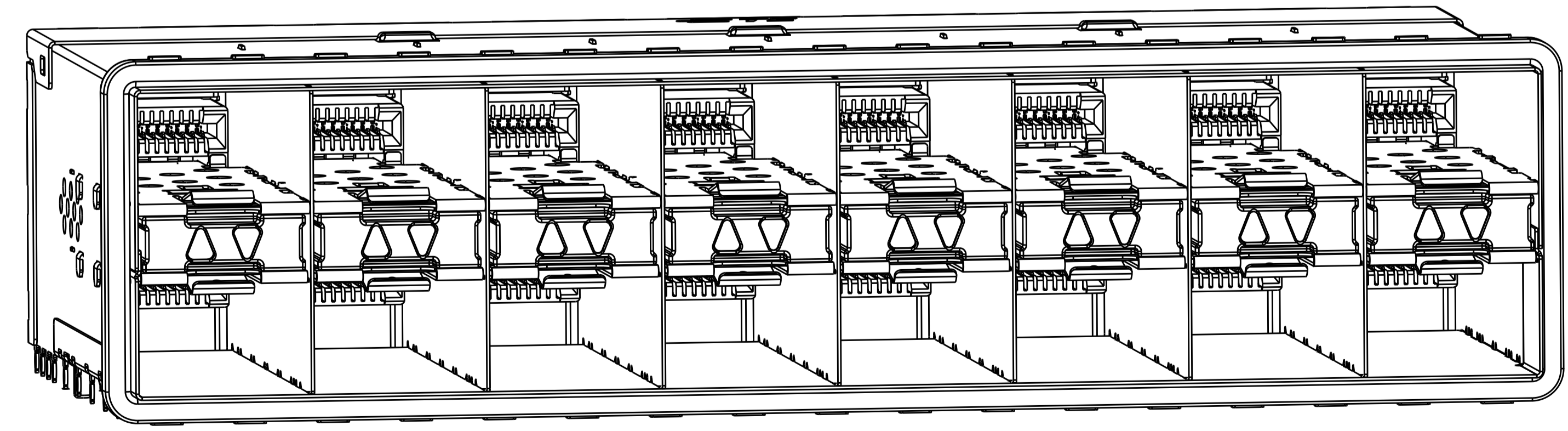
3-2198346-0
EMI GASKET TYPE



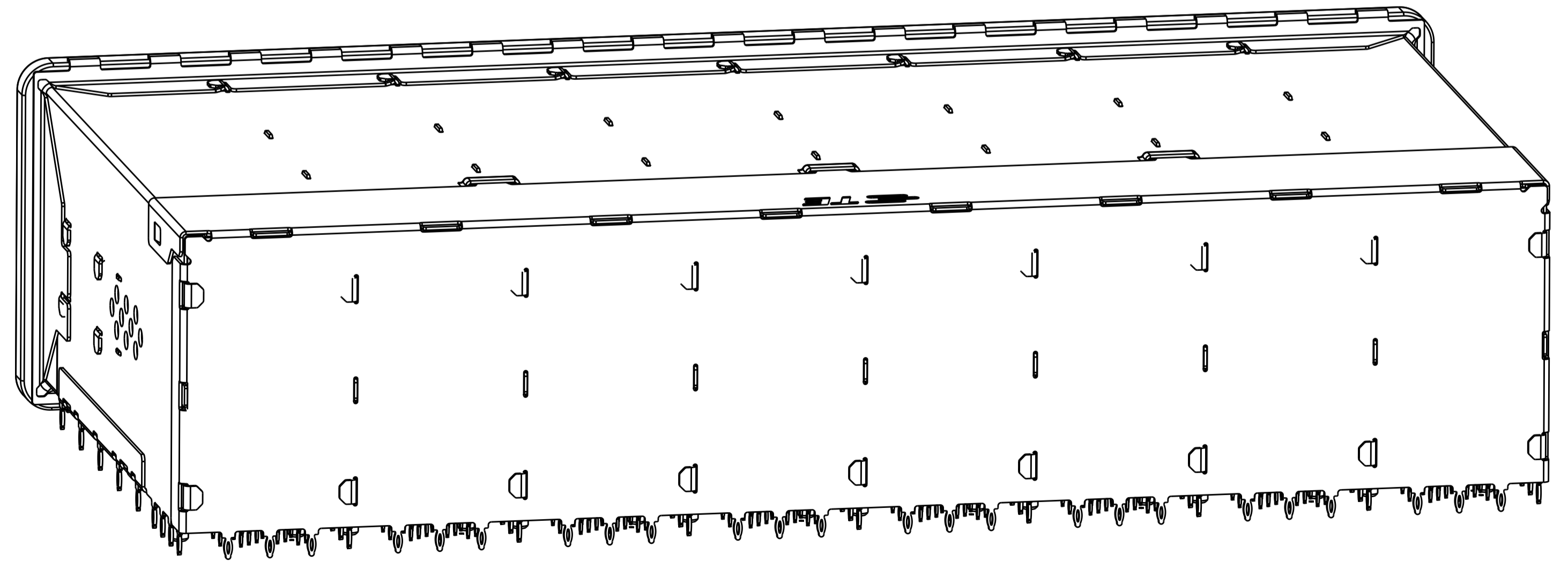
AIR VENTS

3-2198346-1
EMI SPRING TYPE

EMI GASKET TYPE WITH LOW PROFILE FLANGE



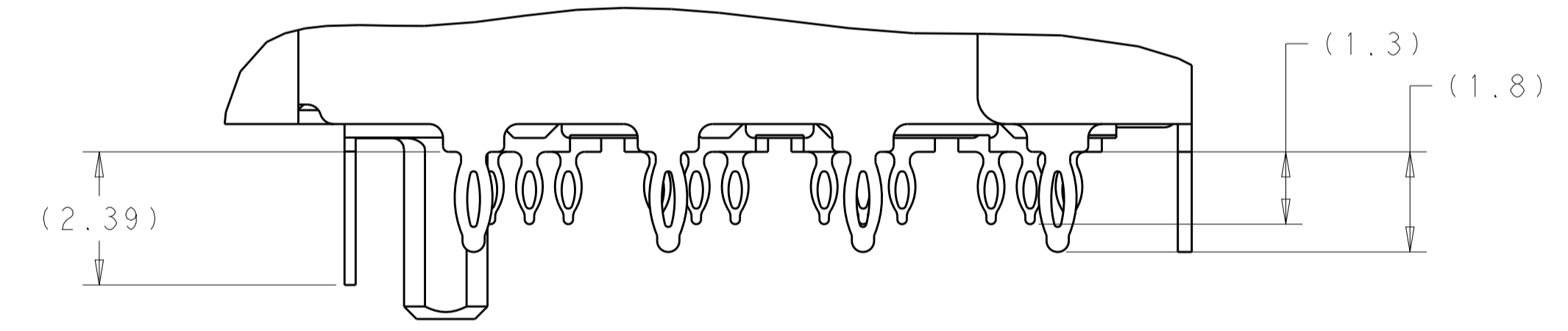
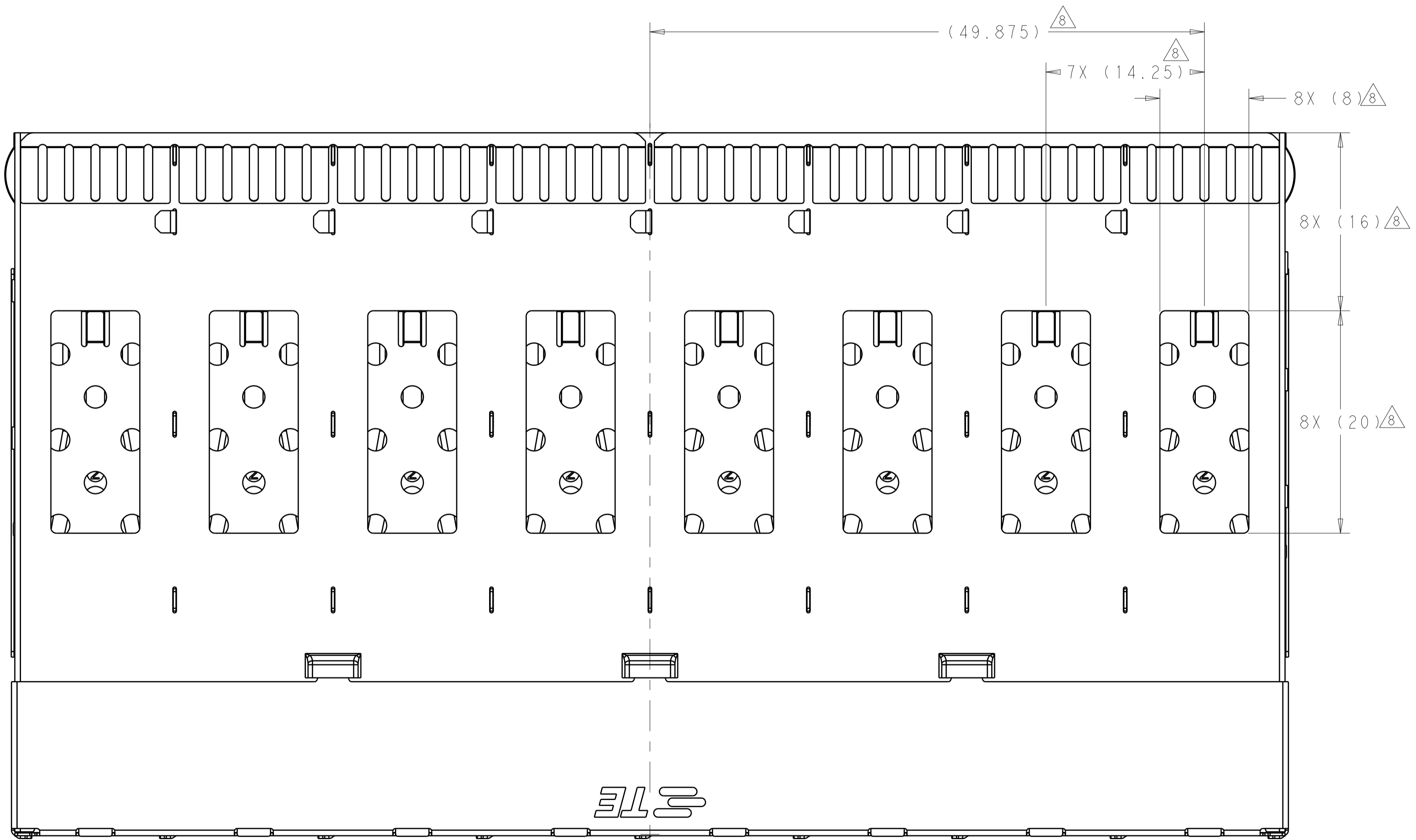
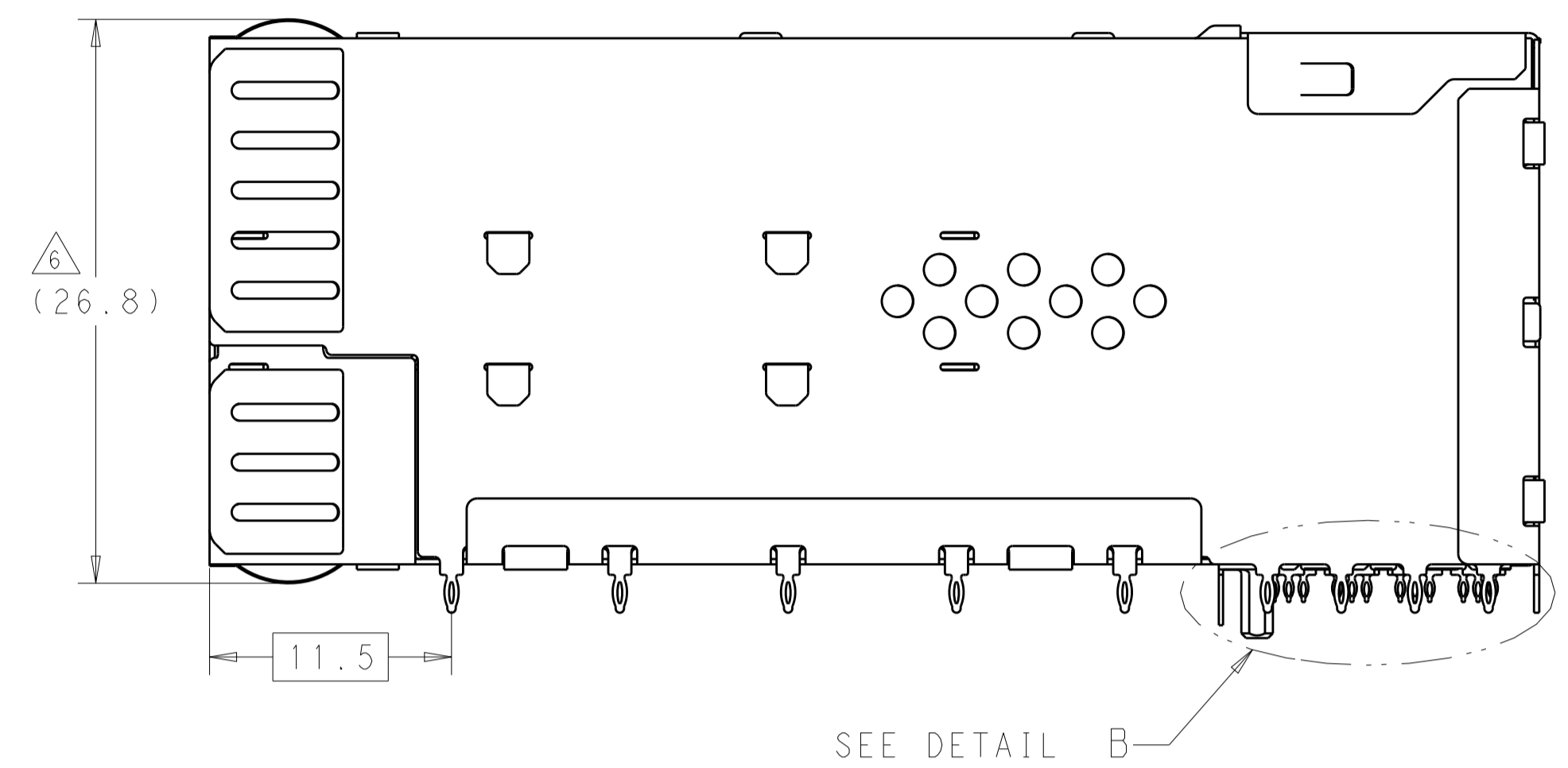
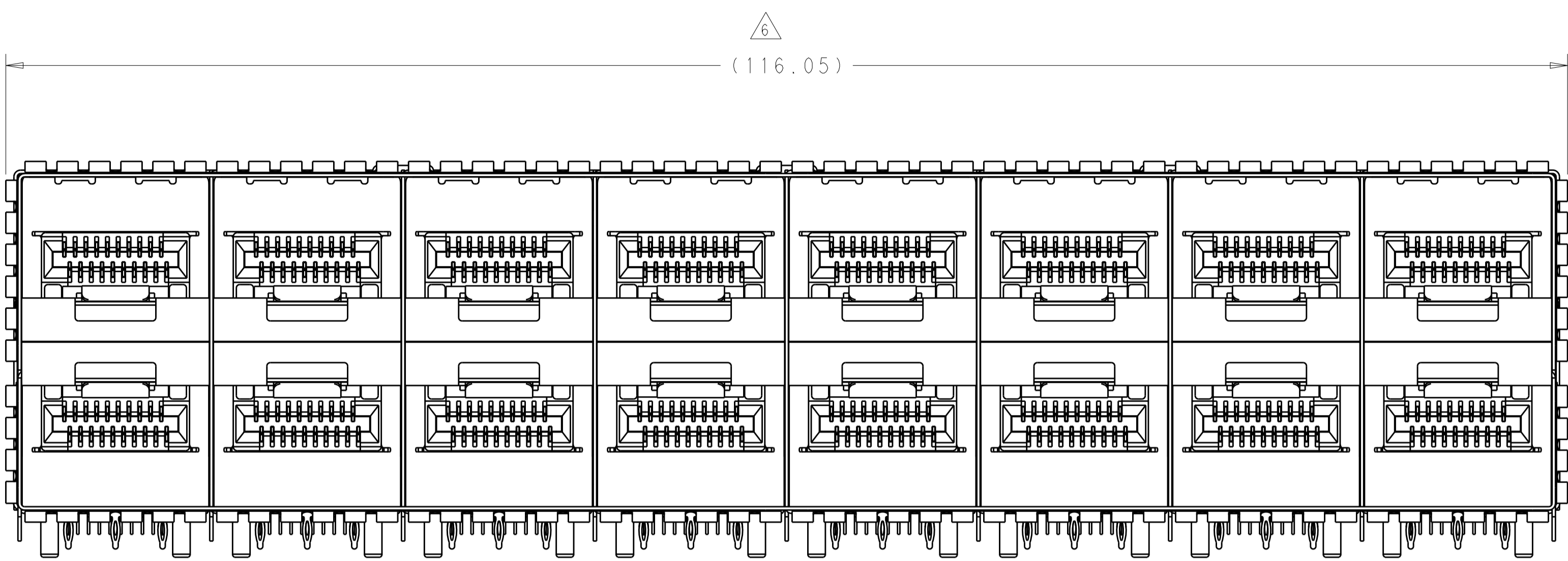
3-2198346-2



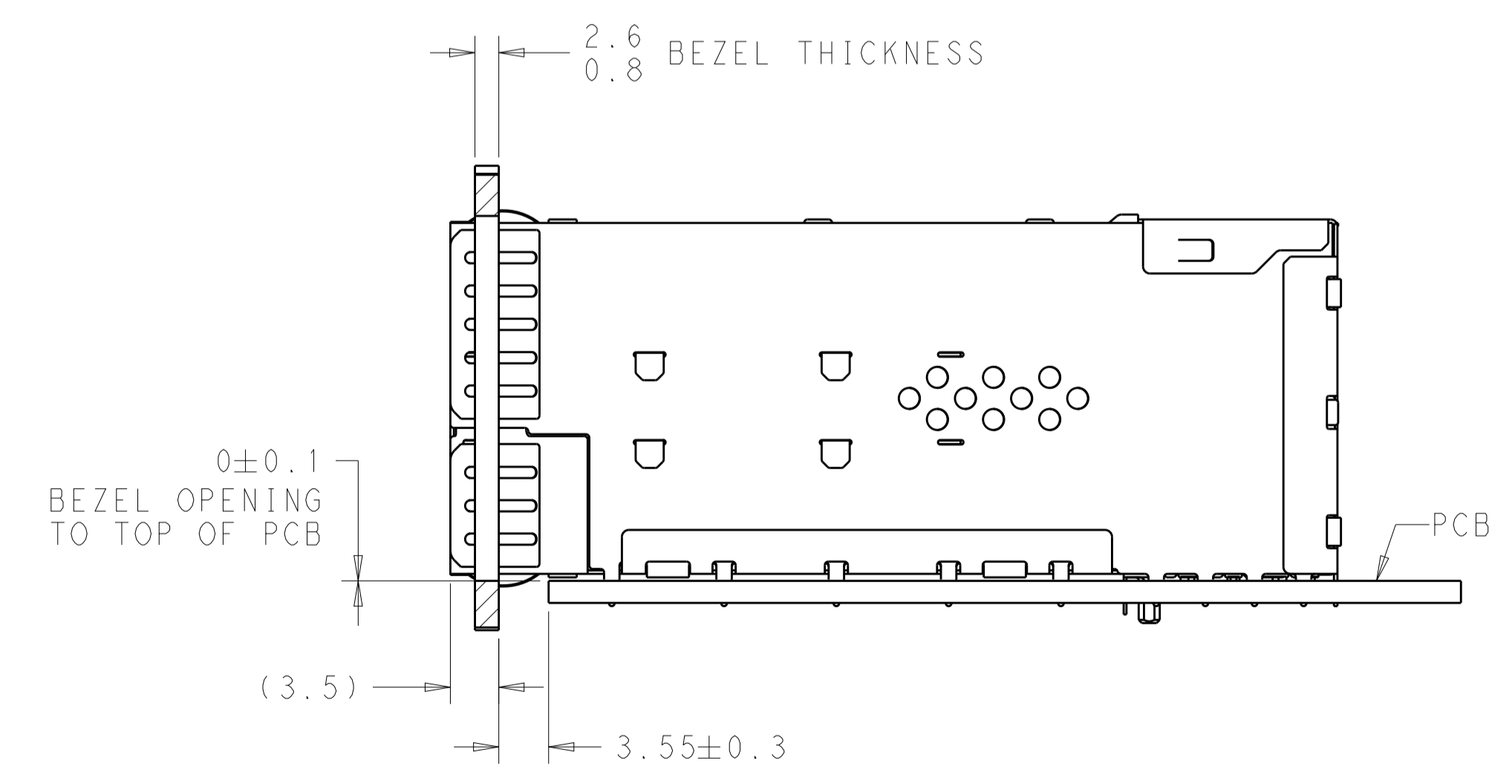
THIS DRAWING IS A CONTROLLED DOCUMENT.		OWN: M.E. CONNER 09DEC2011	TE Connectivity NAME: RECEPTACLE ASSEMBLY, 2X8, STACKED, 2SFP+ SIZE: CAGE CODE DRAWING NO: A100779C=2198346 RESTRICTED TO:
DIMENSIONS:		CHK: M.D. MORRISON 13DEC2011	
TOLERANCES UNLESS OTHERWISE SPECIFIED:		APVD: M.D. MORRISON 13DEC2011	
0 PLC ± 1 PLC ±0.20 2 PLC ±0.15 3 PLC ±0.10 4 PLC ± ANGLES ±		PRODUCT SPEC: 108-2481 APPLICATION SPEC: 114-13319	
MATERIAL: SEE NOTES		FINISH: SEE NOTES	WEIGHT: Customer Drawing
SCALE: 1:1		SHEET 2 OF 6 REV: B3	

2198346-5 THRU 2198346-8, 1-2198346-9, 2-2198346-0, 4-2198346-0
 EMI SPRINGS ONLY

LOC		DIST		REVISIONS			
P	LTN	DESCRIPTION	DATE	DWN	APVD		
-	-	SEE SHEET 1	-	-	-		



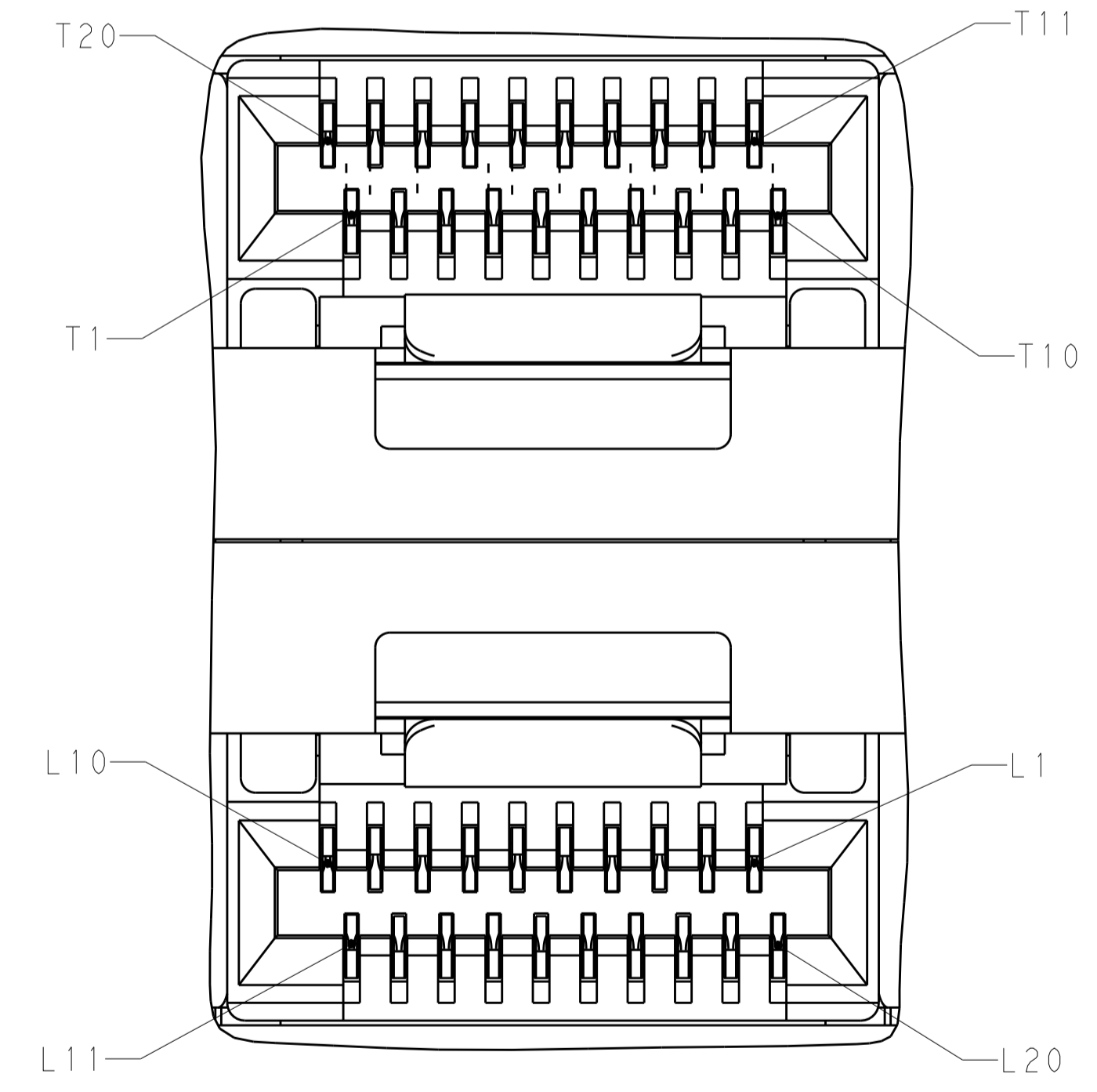
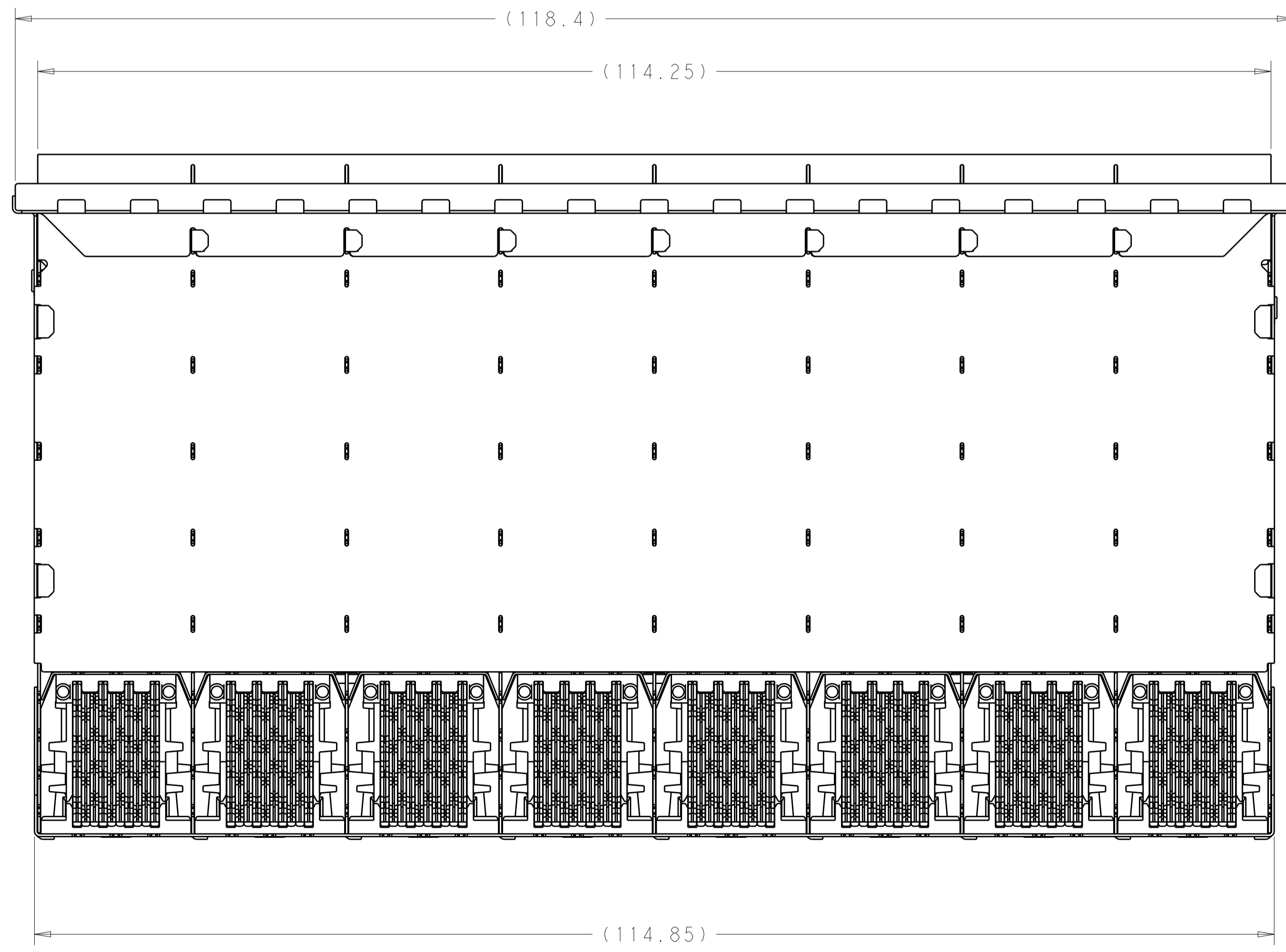
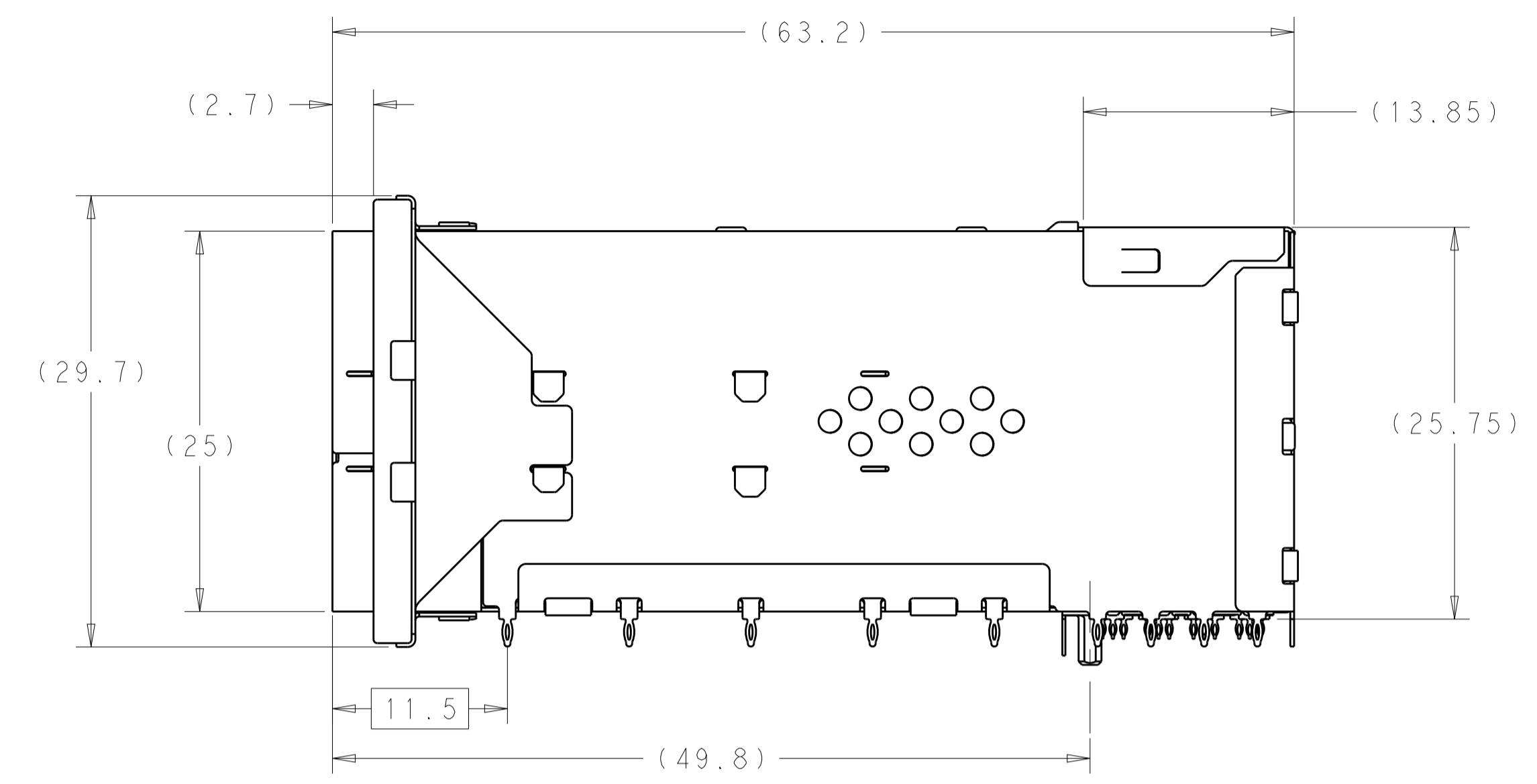
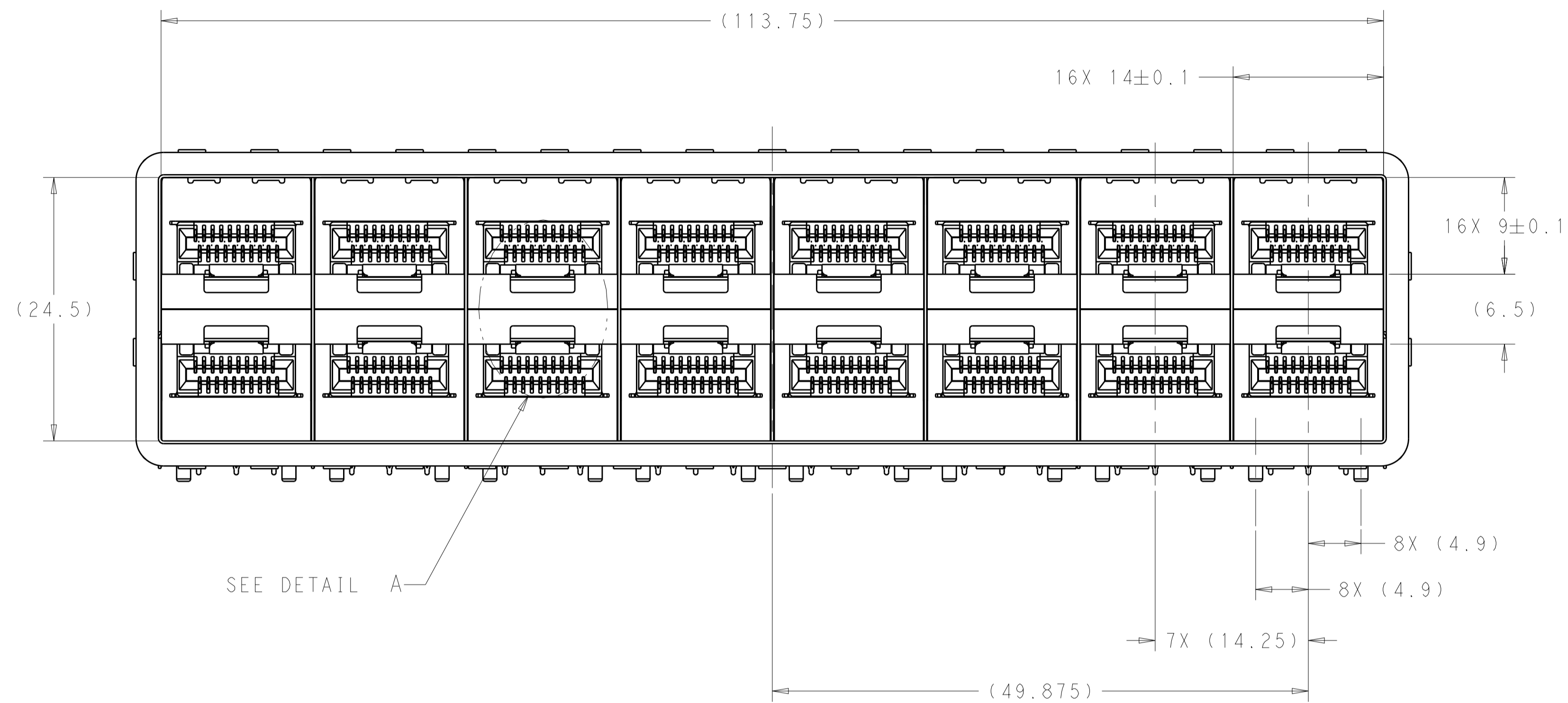
DETAIL B
 SCALE 10:1



RECOMMENDED BEZEL LOCATION WITH EMI SPRINGS
 SCALE 5:2

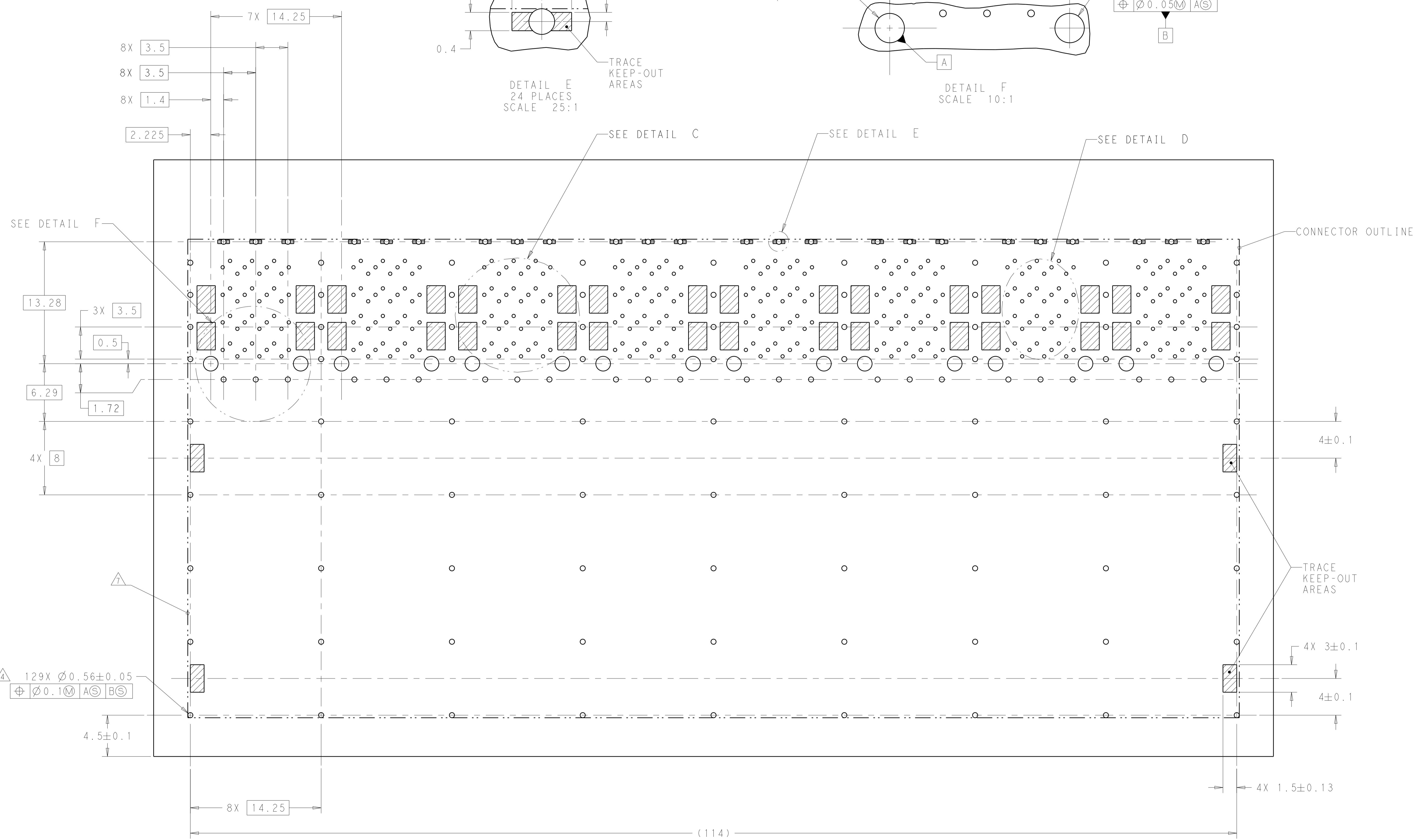
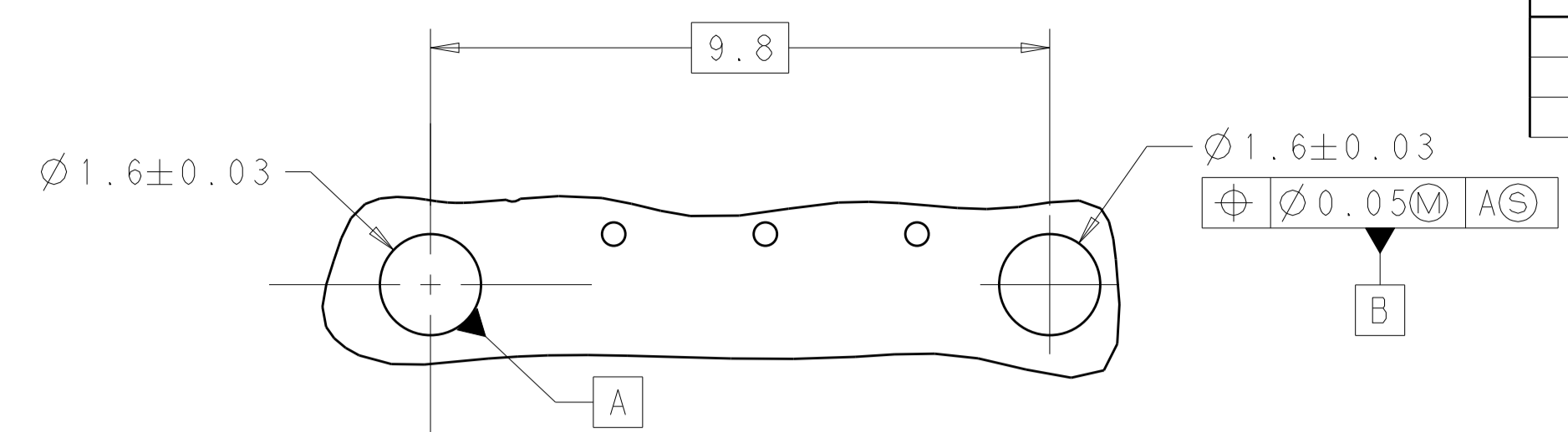
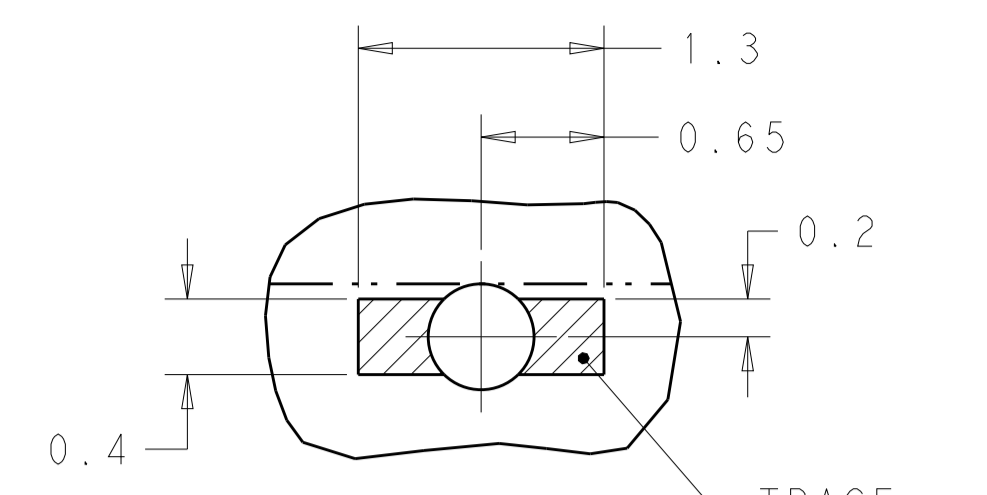
THIS DRAWING IS A CONTROLLED DOCUMENT.		DWN: M.E. CONNER 09DEC2011	TE Connectivity
DIMENSIONS: mm		CHK: M.D. MORRISON 13DEC2011	
TOLERANCES UNLESS OTHERWISE SPECIFIED:		APVD: M.D. MORRISON 13DEC2011	NAME: RECEPTACLE ASSEMBLY, 2X8, STACKED, zSFP+ PRODUCT SPEC: 108-2481 APPLICATION SPEC:
0 PLC ± 1 PLC ±0.20 2 PLC ±0.15 3 PLC ±0.10 4 PLC ± ANGLES ±		SIZE: 114-13319 WEIGHT:	
MATERIAL: SEE NOTES		FINISH: SEE NOTES	CUSTOMER DRAWING: A100779 SCALE: 1:1 SHEET: 3 OF 6 REV: B3

LOC		DIST		REVISIONS			
P	LTN	DESCRIPTION	DATE	DWN	APVD		
-	-	SEE SHEET 1	-	-	-		



THIS DRAWING IS A CONTROLLED DOCUMENT.		DWN: M.E. CONNER 09DEC2011	TE Connectivity
DIMENSIONS: mm		CHK: M.D. MORRISON 13DEC2011	
TOLERANCES UNLESS OTHERWISE SPECIFIED:		APVD: M.D. MORRISON 13DEC2011	NAME: RECEPTACLE ASSEMBLY, 2X8, STACKED, zSFP+
0 PLC ± 1 PLC ±0.20 2 PLC ±0.15 3 PLC ±0.10 4 PLC ± ANGLES ±		PRODUCT SPEC: 108-2481	
MATERIAL: SEE NOTES		APPLICATION SPEC: 114-13319	SIZE: A100779
FINISH: SEE NOTES		WEIGHT: -	CAGE CODE: C=2198346
		Customer Drawing	SCALE: 1:1 SHEET 4 OF 6 REV: B3

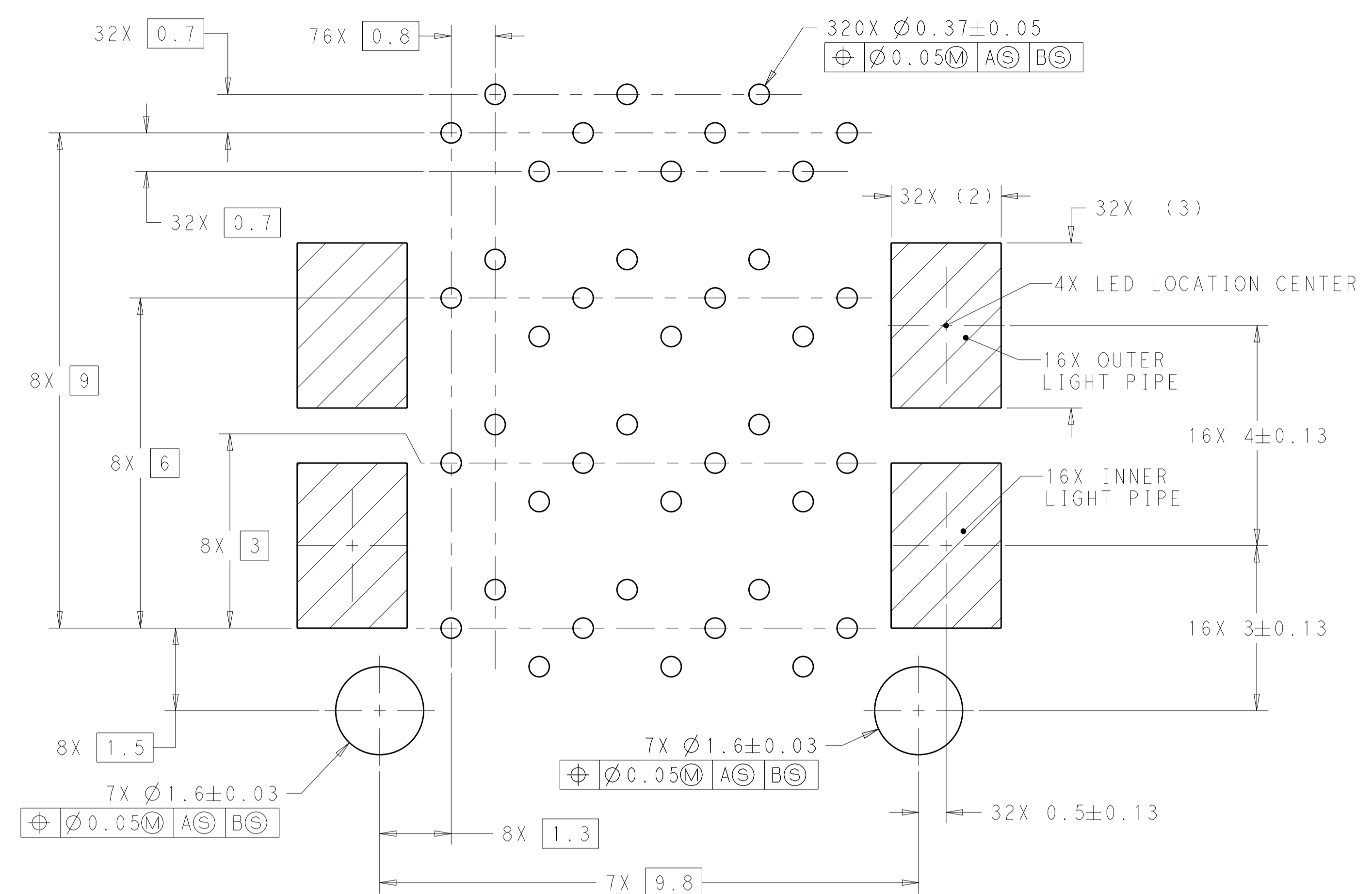
LOC	DIST	REVISIONS			
P.	LTH	DESCRIPTION	DATE	OWN	APVD
-	-	SEE SHEET 1	-	-	-



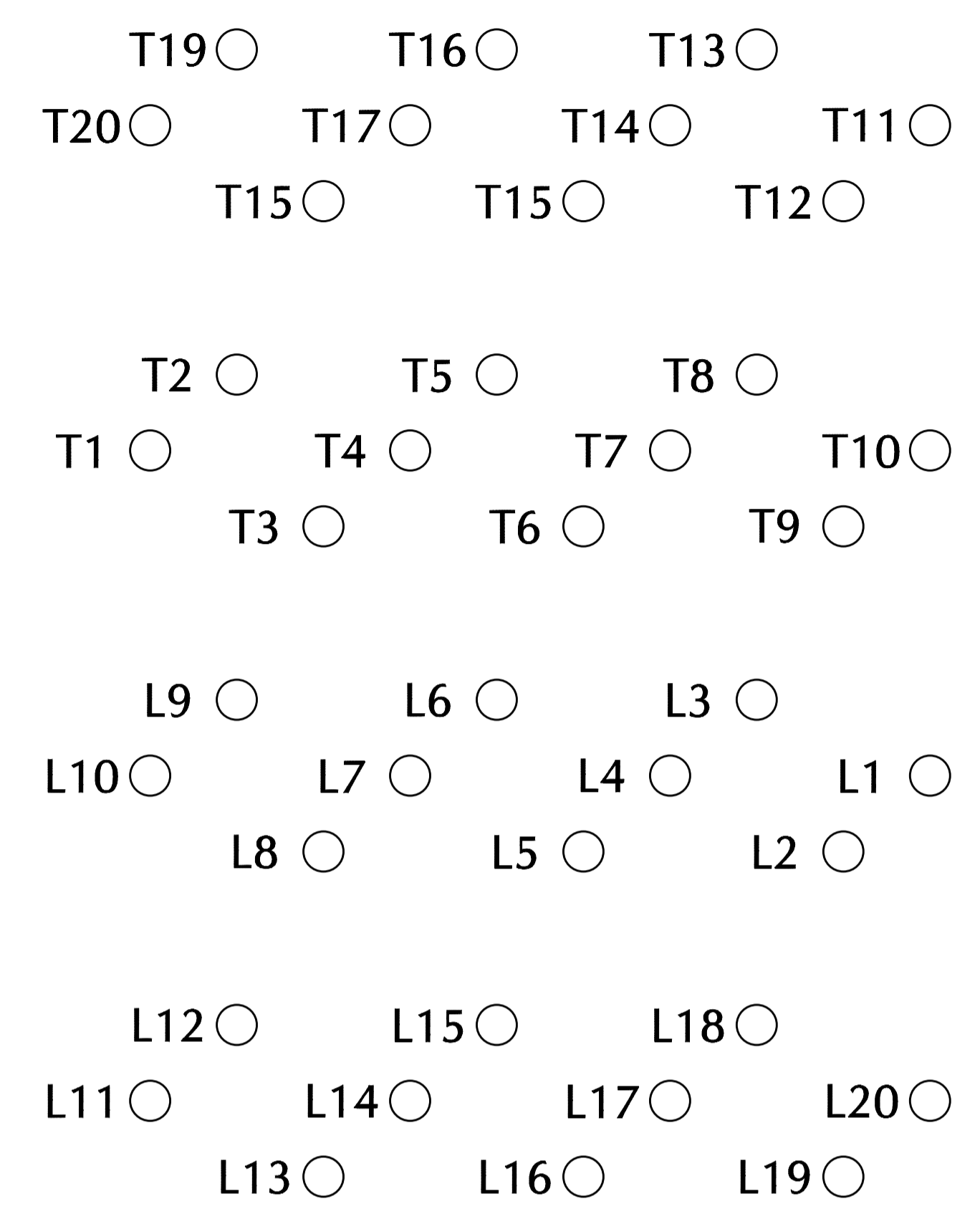
RECOMMENDED PCB LAYOUT
SCALE 5:1

THIS DRAWING IS A CONTROLLED DOCUMENT.		OWN: M.E. CONNER 09DEC2011	TE Connectivity
DIMENSIONS: mm		CHK: M.D. MORRISON 13DEC2011	
TOLERANCES UNLESS OTHERWISE SPECIFIED: 0 PLC ± 1 PLC ±0.20 2 PLC ±0.15 3 PLC ±0.10 4 PLC ± ANGLES ±		APVD: M.D. MORRISON 13DEC2011	NAME: RECEPTACLE ASSEMBLY, 2X8, STACKED, zSFP+
MATERIAL: SEE NOTES		PRODUCT SPEC: 108-2481	SIZE: CAGE CODE DRAWING NO: A100779
FINISH: SEE NOTES		APPLICATION SPEC: 114-13319	RESTRICTED TO: -
Customer Drawing		WEIGHT: -	SCALE: 3:1 SHEET 5 OF 6 REV: B3

LOC	DIST	REV	DATE	BY	APPV
		1			
		2			
		3			
		4			
		5			
		6			
		7			
		8			

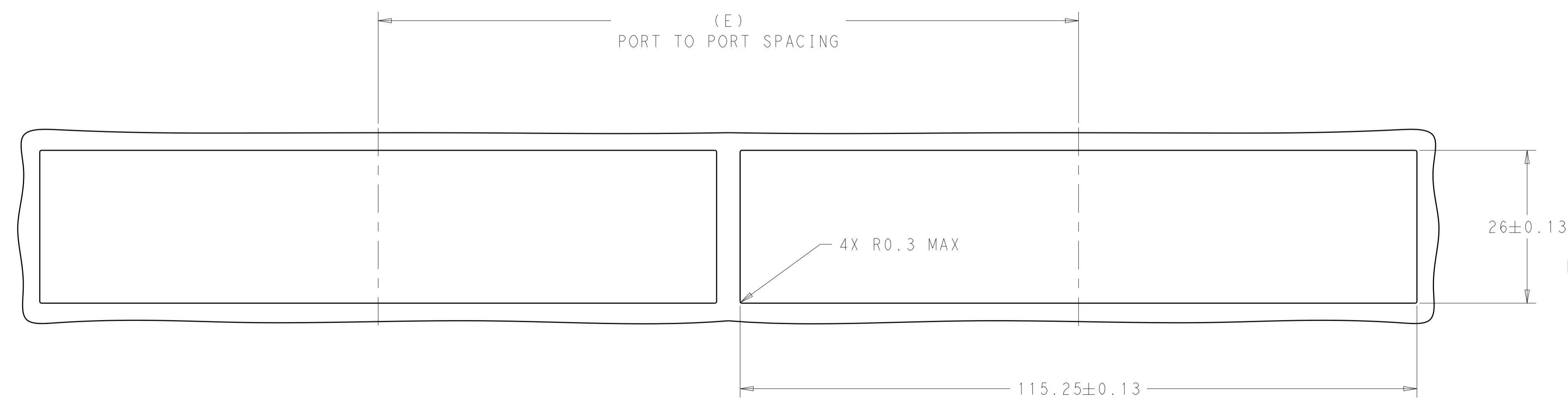


DETAIL C
 RECOMMENDED PIN AND LIGHT PIPE LAYOUT
 SCALE 15:1

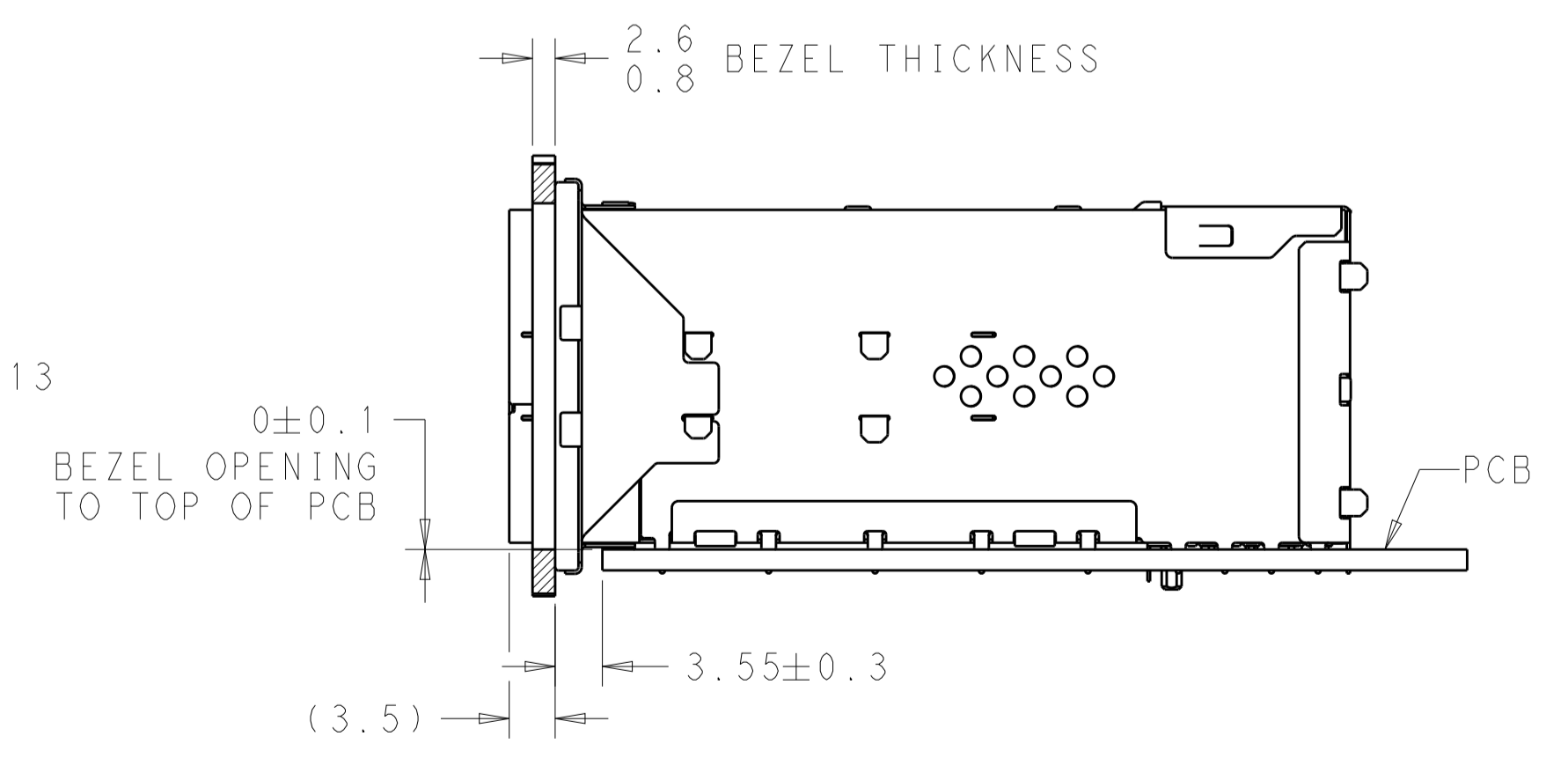


PIN MAP LEGEND	
PIN NUMBER	FUNCTION
L1/T1	VEET
L2/T2	TX-FAULT
L3/T3	TX-DISABLE
L4/T4	SDA
L5/T5	SCL
L6/T6	MOD_ABS
L7/T7	RS0
L8/T8	RX_LOS
L9/T9	RS1
L10/T10	VEER
L11/T11	VEER
L12/T12	RD-
L13/T13	RD+
L14/T14	VEER
L15/T15	VCCR
L16/T16	VCCT
L17/T17	VEET
L18/T18	TD+
L19/T19	TD-
L20/T20	VEET

DETAIL D
 PIN MAP
 8X PLACES
 SCALE 20:1



RECOMMENDED BEZEL CUT-OUT DETAIL
 SCALE 2:1



RECOMMENDED BEZEL LOCATION WITH EMI GASKET
 SCALE 2:1

THIS DRAWING IS A CONTROLLED DOCUMENT.		OWN: M.E. CONNER 09DEC2011	TE Connectivity
DIMENSIONS: mm		CHK: M.D. MORRISON 13DEC2011	
TOLERANCES UNLESS OTHERWISE SPECIFIED:		APV: M.D. MORRISON 13DEC2011	NAME: RECEPTACLE ASSEMBLY, 2X8, STACKED, zSFP+ PRODUCT SPEC: 108-2481 APPLICATION SPEC: 114-13319
0 PLC ±0.20		WEIGHT: -	
1 PLC ±0.15		SIZE: A1	CAGE CODE: 2198346 SCALE: 3:1 SHEET 6 OF 6 REV: B3
2 PLC ±0.10		Customer Drawing	
3 PLC ±0.05			
4 PLC ±0.05			
ANGLES: °			
FINISH: SEE NOTES			