



Chipsmall Limited consists of a professional team with an average of over 10 year of expertise in the distribution of electronic components. Based in Hongkong, we have already established firm and mutual-benefit business relationships with customers from,Europe,America and south Asia,supplying obsolete and hard-to-find components to meet their specific needs.

With the principle of "Quality Parts,Customers Priority,Honest Operation,and Considerate Service",our business mainly focus on the distribution of electronic components. Line cards we deal with include Microchip,ALPS,ROHM,Xilinx,Pulse,ON,Everlight and Freescale. Main products comprise IC,Modules,Potentiometer,IC Socket,Relay,Connector.Our parts cover such applications as commercial,industrial, and automotives areas.

We are looking forward to setting up business relationship with you and hope to provide you with the best service and solution. Let us make a better world for our industry!



Contact us

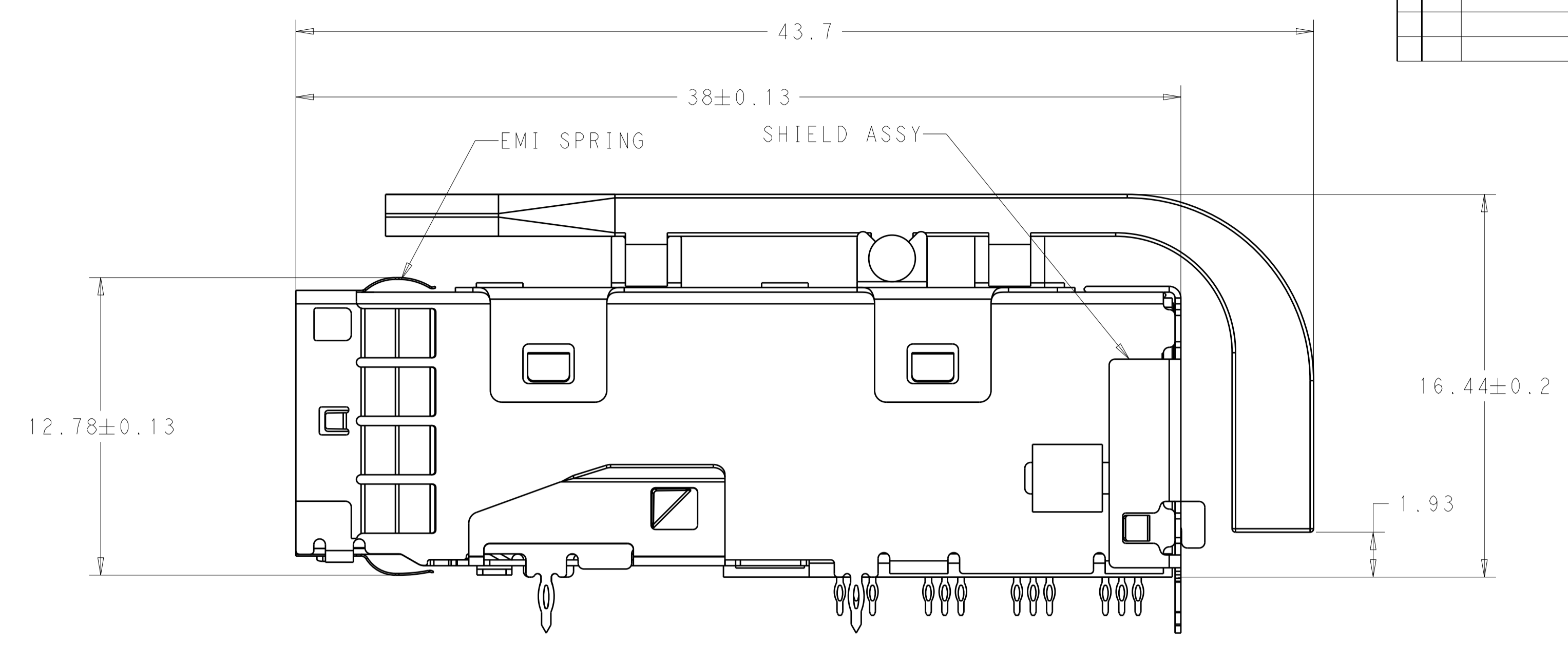
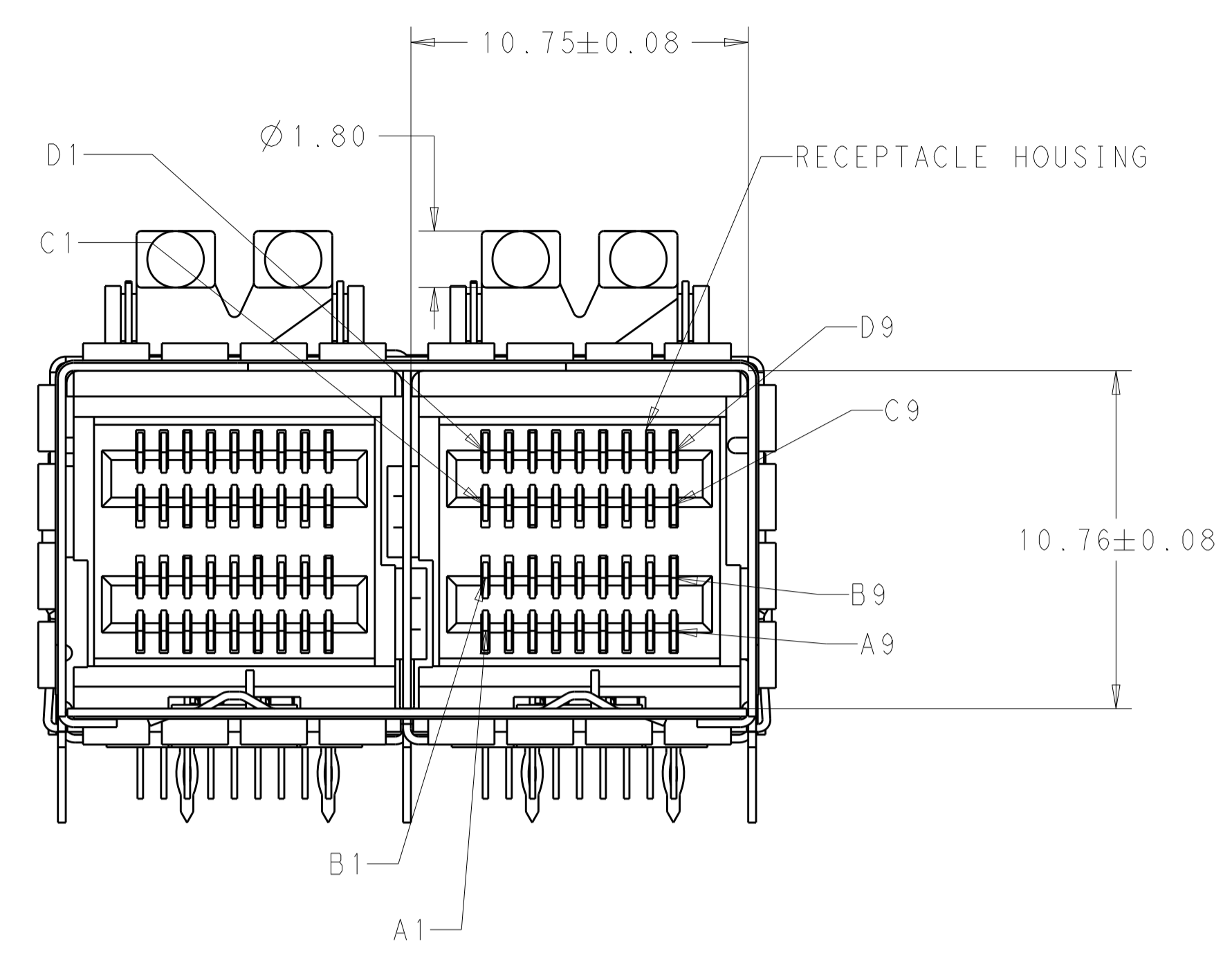
Tel: +86-755-8981 8866 Fax: +86-755-8427 6832

Email & Skype: info@chipsmall.com Web: www.chipsmall.com

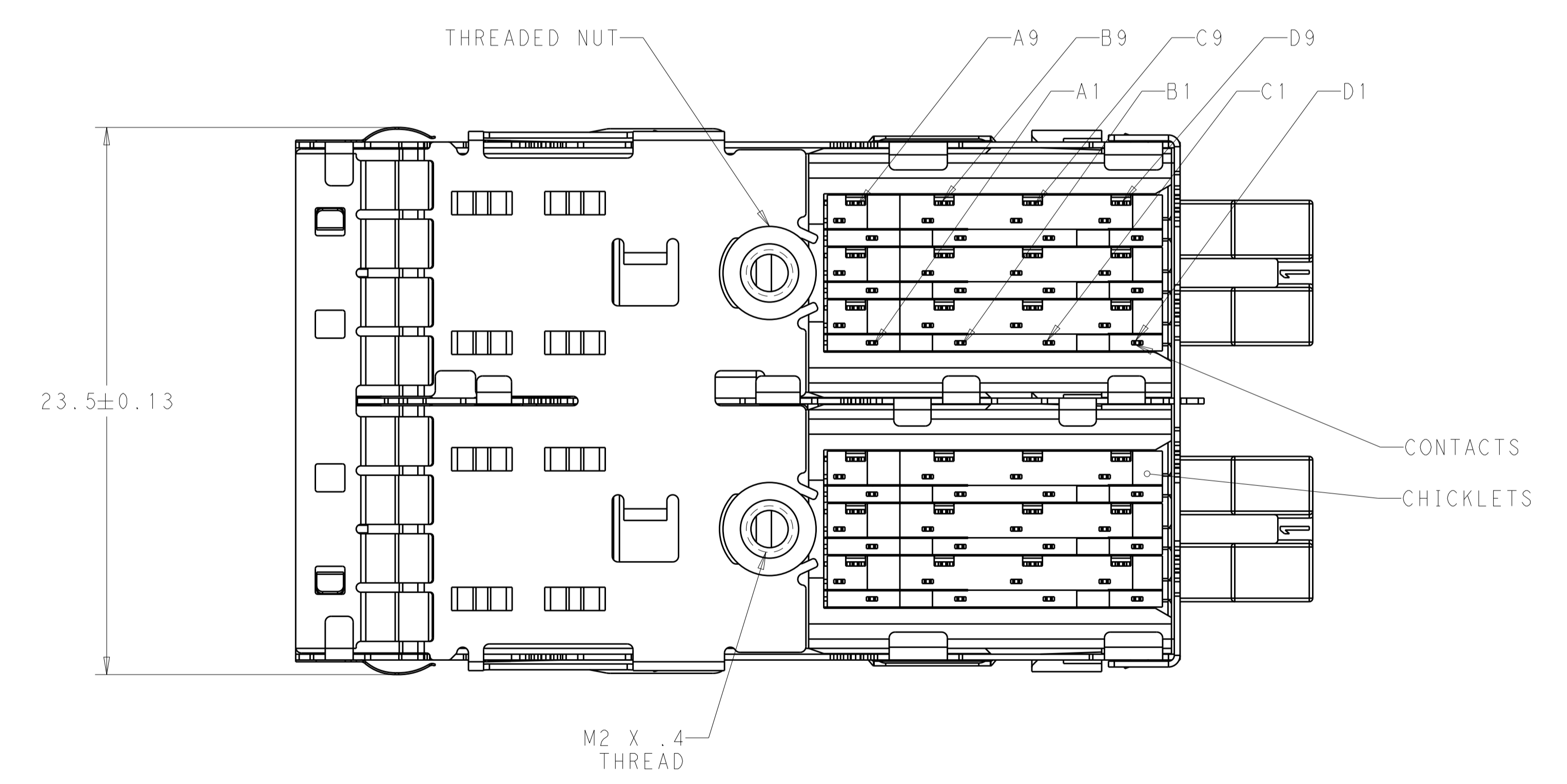
Address: A1208, Overseas Decoration Building, #122 Zhenhua RD., Futian, Shenzhen, China



LOC		DIST		REVISIONS			
P	LTN	DESCRIPTION	DATE	DMN	APVD		
4		REVISED	21DEC2012	MEC	JS		



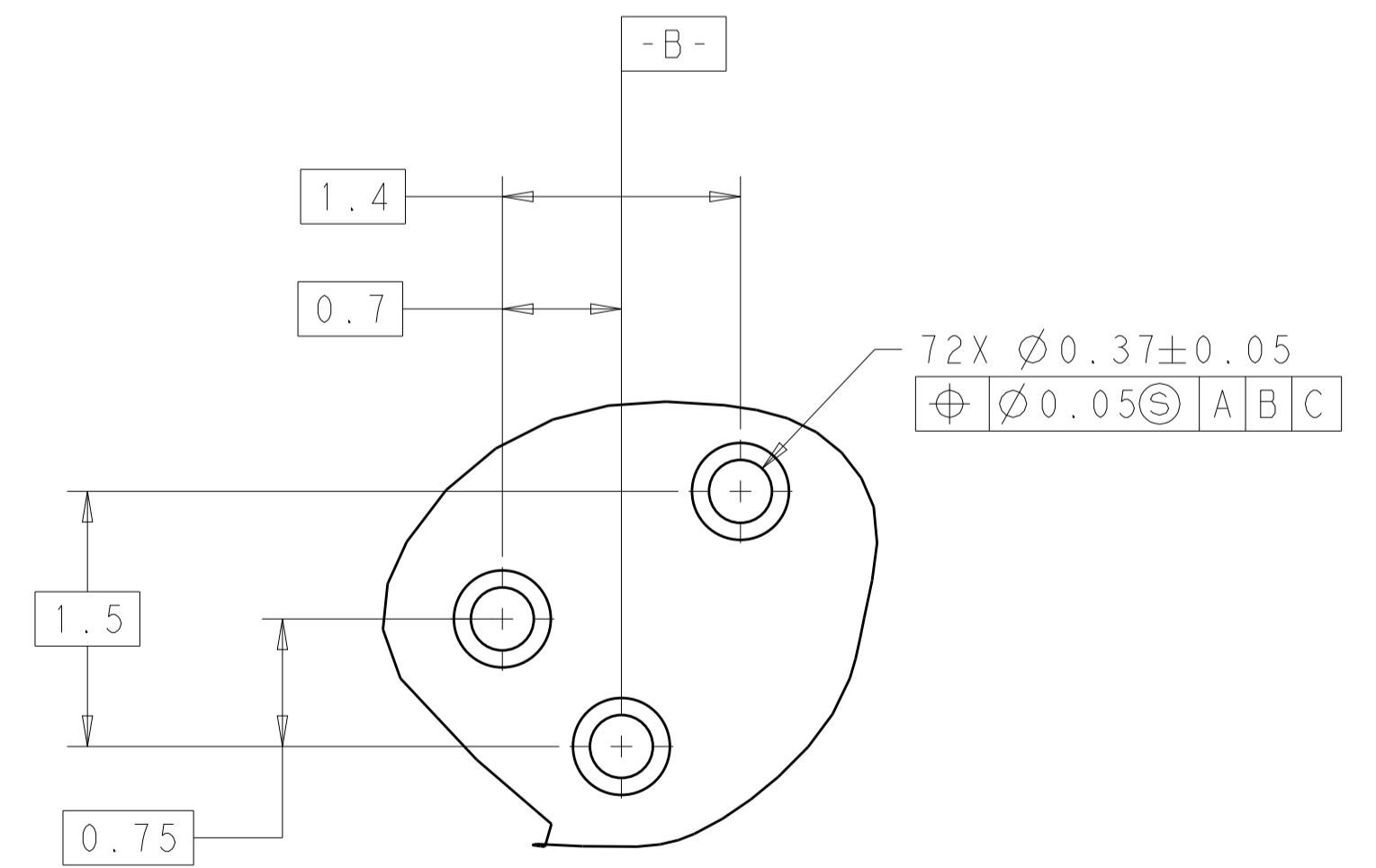
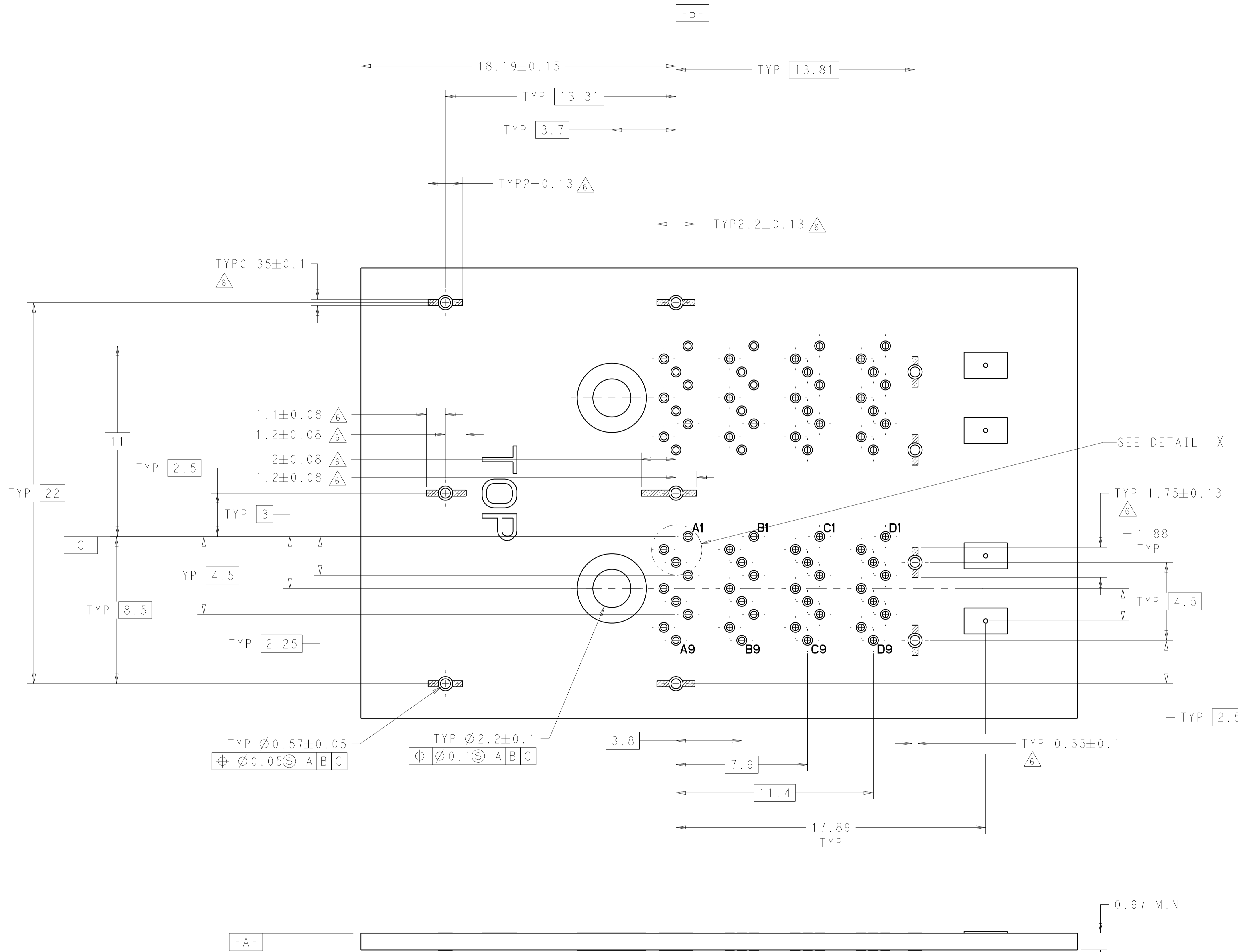
- MATERIALS**
 RECEPTACLE HOUSING: LCP, BLACK, UL94V-0 RATED
 SHIELD ASSY: NICKEL-SILVER COPPER ALLOY
 CONTACTS: COPPER ALLOY
 EMI SPRING: COPPER ALLOY
 THREADED NUT: BRASS
 CHICKLETS: LCP, BLACK, UL 94V-0 RATED
 LIGHTPIPE CLIP: STAINLESS STEEL
 LIGHTPIPE: POLYCARBONATE
 - FINISH**
 EMI SPRING: TIN PLATE OVER NICKEL PLATE
 NON-PLATED EDGES PERMISSABLE
 THREADED NUT: NICKEL PLATE
3. CONTACT FINISH: CONFORMS TO THE REQUIREMENTS OF TE PRODUCT SPECIFICATION, 108-2462. BASED ON EIA/ECA-364-1000.01A. (CONTROLLED ENVIRONMENT APPLICATIONS) ON MATING END. TIN PLATED ON PCB TAIL
4. THREAD LENGTH OF FASTENER = PCB THICKNESS+1.45 MAX
5. THIS PRODUCT HAS NOT COMPLETED VALIDATION/QUALIFICATION TESTING
6. RECOMMENDED TRACE KEEP OUT ZONE



2198483-1
 PART NUMBER

THIS DRAWING IS A CONTROLLED DOCUMENT.		DMN: J. SECHRIST 15NOV2011	
DIMENSIONS: mm		CHK: J. SECHRIST 15NOV2011	
TOLERANCES UNLESS OTHERWISE SPECIFIED: 0 PLC ± .25 1 PLC ± 0.13 2 PLC ± .13 3 PLC ± .13 4 PLC ± .13 ANGLES ± .13 FINISH -		PRODUCT SPEC: 108-2462 APPLICATION SPEC: 114-13316 WEIGHT: - CUSTOMER DRAWING	NAME: RECEPTACLE ASSEMBLY, MINI-SAS HD, 2X W/ LIGHT PIPES SIZE: A1 CAGE CODE: 00779 DRAWING NO: 2198483 RESTRICTED TO: -
SCALE: 6:1		SHEET: 1 OF 3	REV: 4

LOC	DIST	REVISIONS			
P	LTN	DESCRIPTION	DATE	DWN	APVD
-	-	SEE SHEET 1	-	-	-

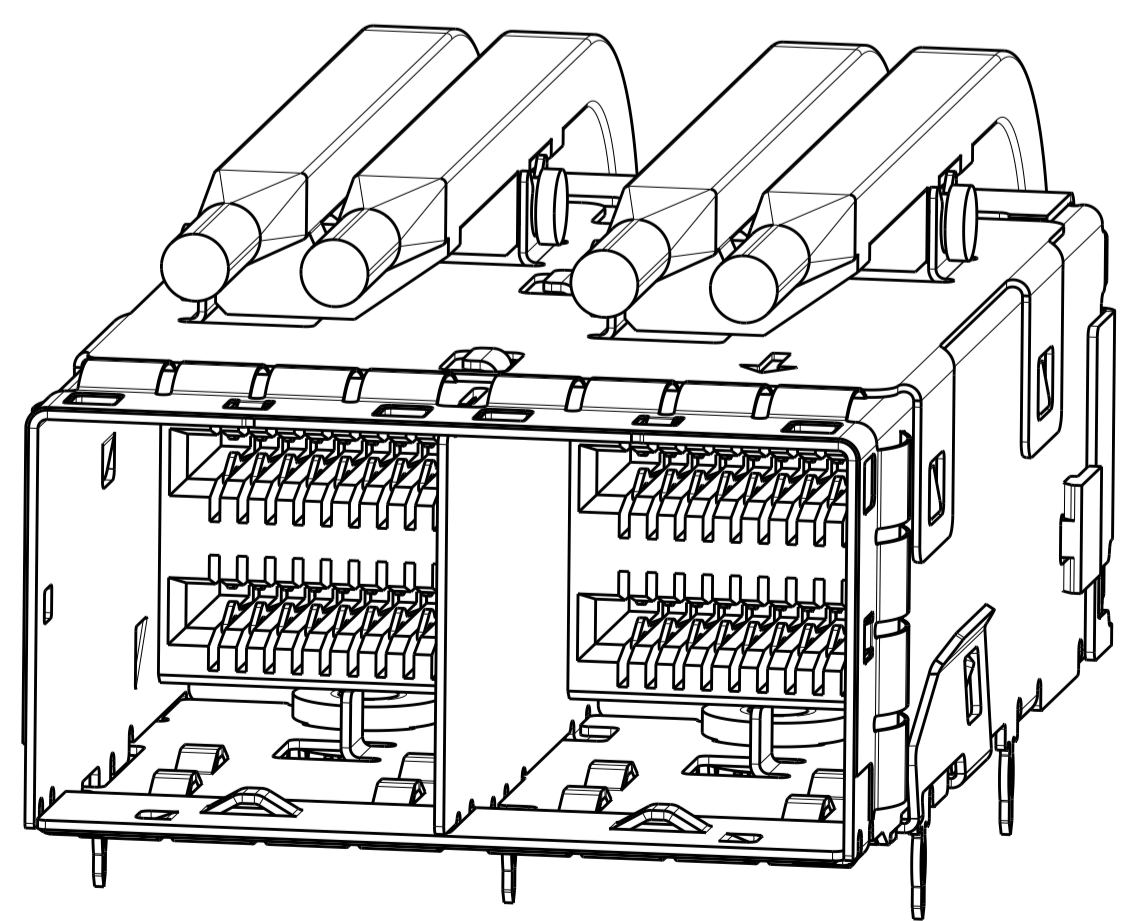
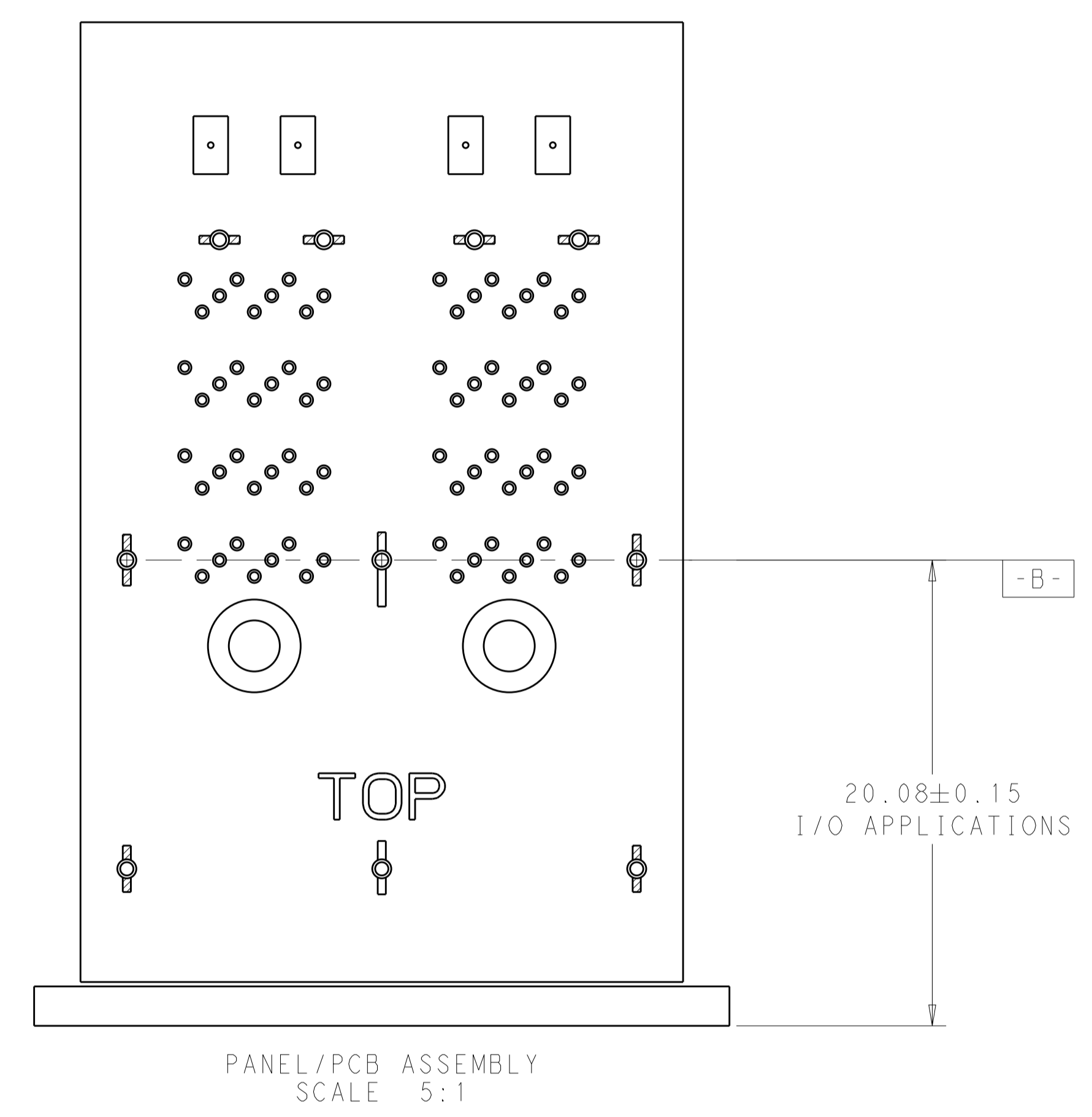
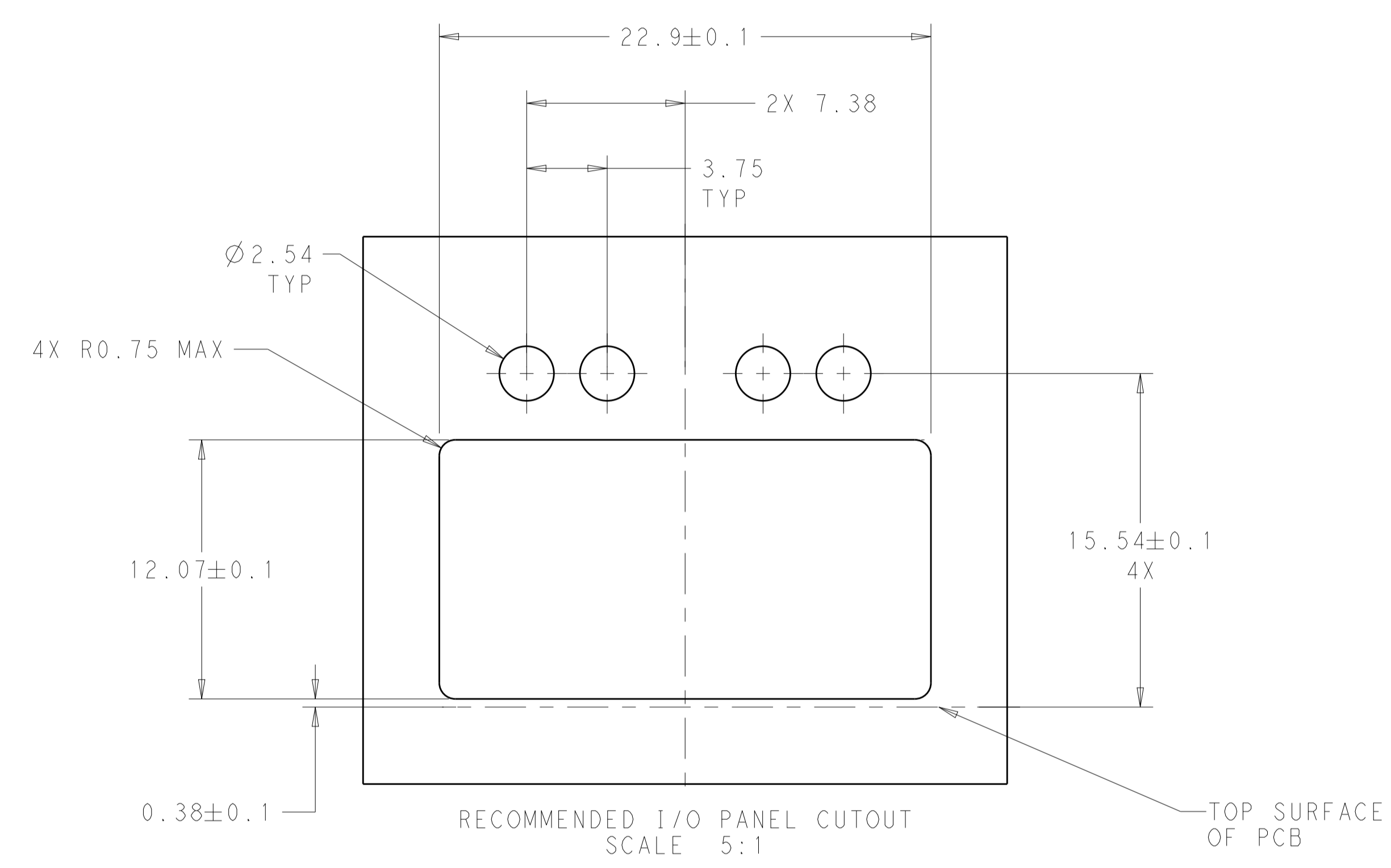


DETAIL X
SCALE 25:1

RECOMMENDED PCB LAYOUT

THIS DRAWING IS A CONTROLLED DOCUMENT.		DWN: J. SECHRIST 15NOV2011	TE Connectivity
DIMENSIONS: mm		CHK: J. SECHRIST 15NOV2011	
TOLERANCES UNLESS OTHERWISE SPECIFIED: 0 PLC ± 1 PLC ±0.25 2 PLC ±0.13 3 PLC ± 4 PLC ± ANGLES ± FINISH ±		APVD: J. SECHRIST	NAME: RECEPTACLE ASSEMBLY, MINI-SAS HD, 2X W/ LIGHT PIPES
MATERIAL: -		PRODUCT SPEC: 108-2462	SIZE: A1
		APPLICATION SPEC: 114-13316	CAGE CODE: C=2198483
		WEIGHT: -	RESTRICTED TO: -
		CUSTOMER DRAWING	SCALE: 6:1 SHEET 2 OF 3 REV 4

LOC	DIST	REVISIONS			
P	LTN	DESCRIPTION	DATE	DWN	APVD
-	-	SEE SHEET 1	-	-	-



THIS DRAWING IS A CONTROLLED DOCUMENT.		DWN: J. SECHRIST 15NOV2011	
DIMENSIONS: mm		CHK: J. SECHRIST 15NOV2011	
TOLERANCES UNLESS OTHERWISE SPECIFIED:		APVD: -	NAME: RECEPTACLE ASSEMBLY, MINI-SAS HD, 2X W/ LIGHT PIPES
0 PLC	±	PRODUCT SPEC	SIZE: A1
1 PLC	±0.25	108-2462	CAGE CODE: 100779
2 PLC	±0.13	APPLICATION SPEC	DRAWING NO: C=2198483
3 PLC	±	114-13316	RESTRICTED TO: -
4 PLC	±	WEIGHT: -	SCALE: 6:1
ANGLES	±	CUSTOMER DRAWING	SHEET: 3 OF 3
MATERIAL: -	FINISH: -		REV: 4