



Chipsmall Limited consists of a professional team with an average of over 10 year of expertise in the distribution of electronic components. Based in Hongkong, we have already established firm and mutual-benefit business relationships with customers from,Europe,America and south Asia,supplying obsolete and hard-to-find components to meet their specific needs.

With the principle of "Quality Parts,Customers Priority,Honest Operation,and Considerate Service",our business mainly focus on the distribution of electronic components. Line cards we deal with include Microchip,ALPS,ROHM,Xilinx,Pulse,ON,Everlight and Freescale. Main products comprise IC,Modules,Potentiometer,IC Socket,Relay,Connector.Our parts cover such applications as commercial,industrial, and automotives areas.

We are looking forward to setting up business relationship with you and hope to provide you with the best service and solution. Let us make a better world for our industry!



Contact us

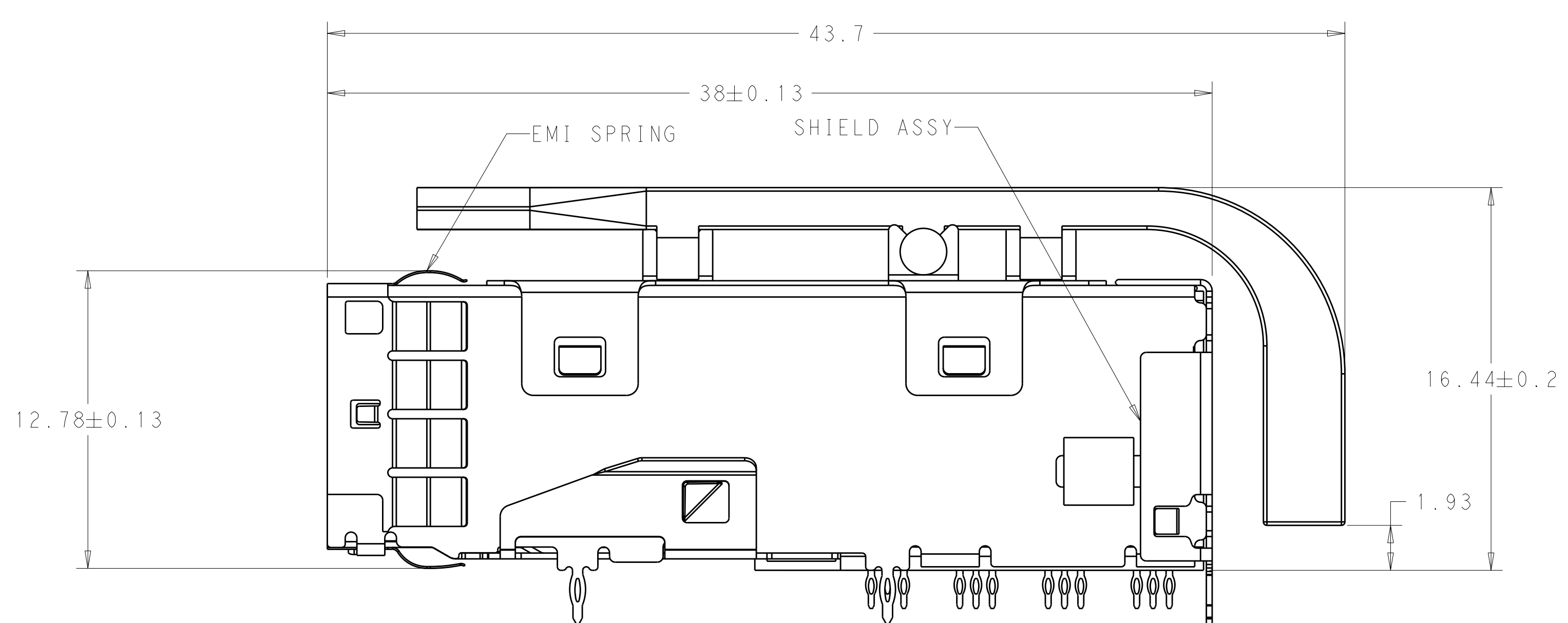
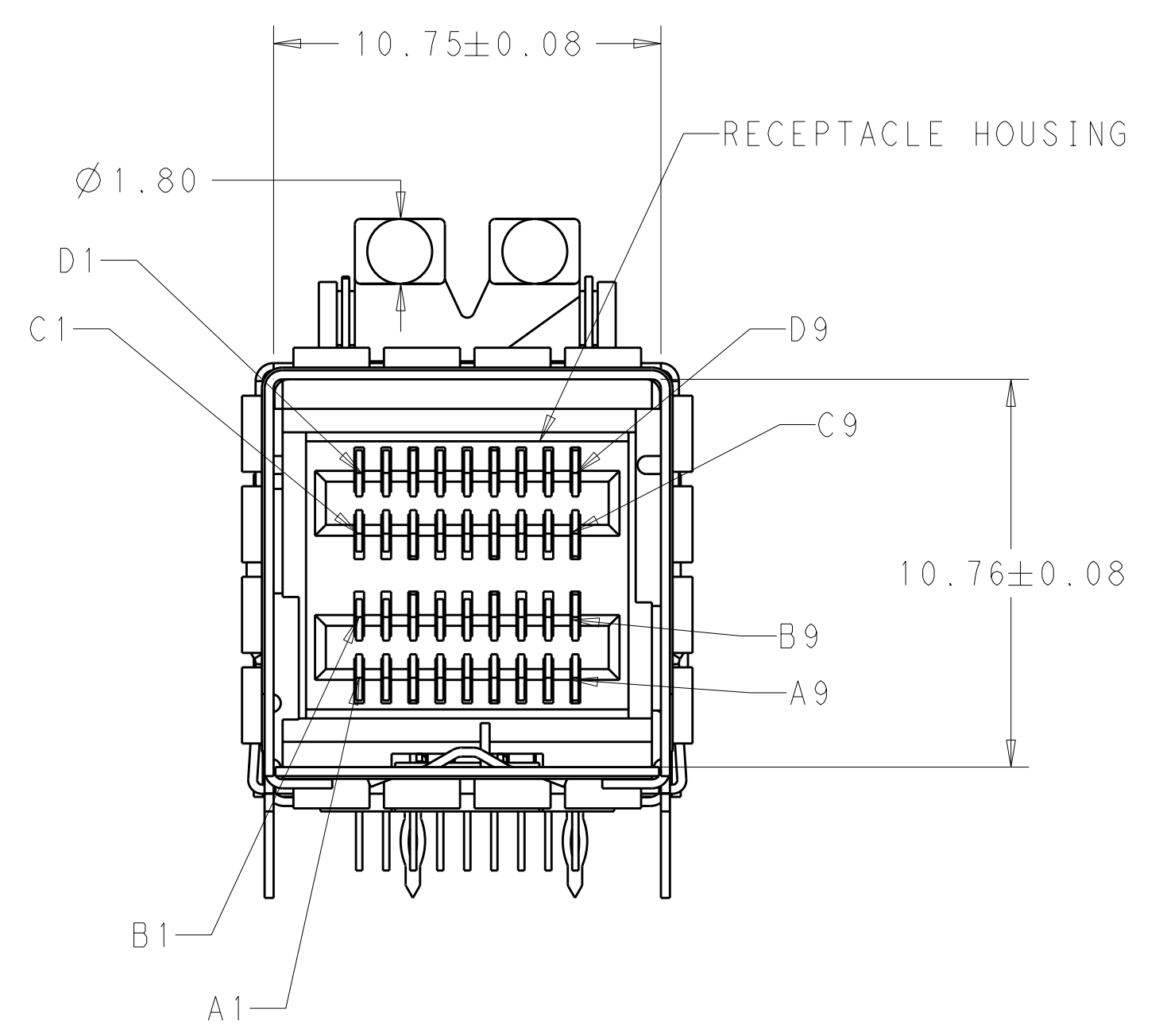
Tel: +86-755-8981 8866 Fax: +86-755-8427 6832

Email & Skype: info@chipsmall.com Web: www.chipsmall.com

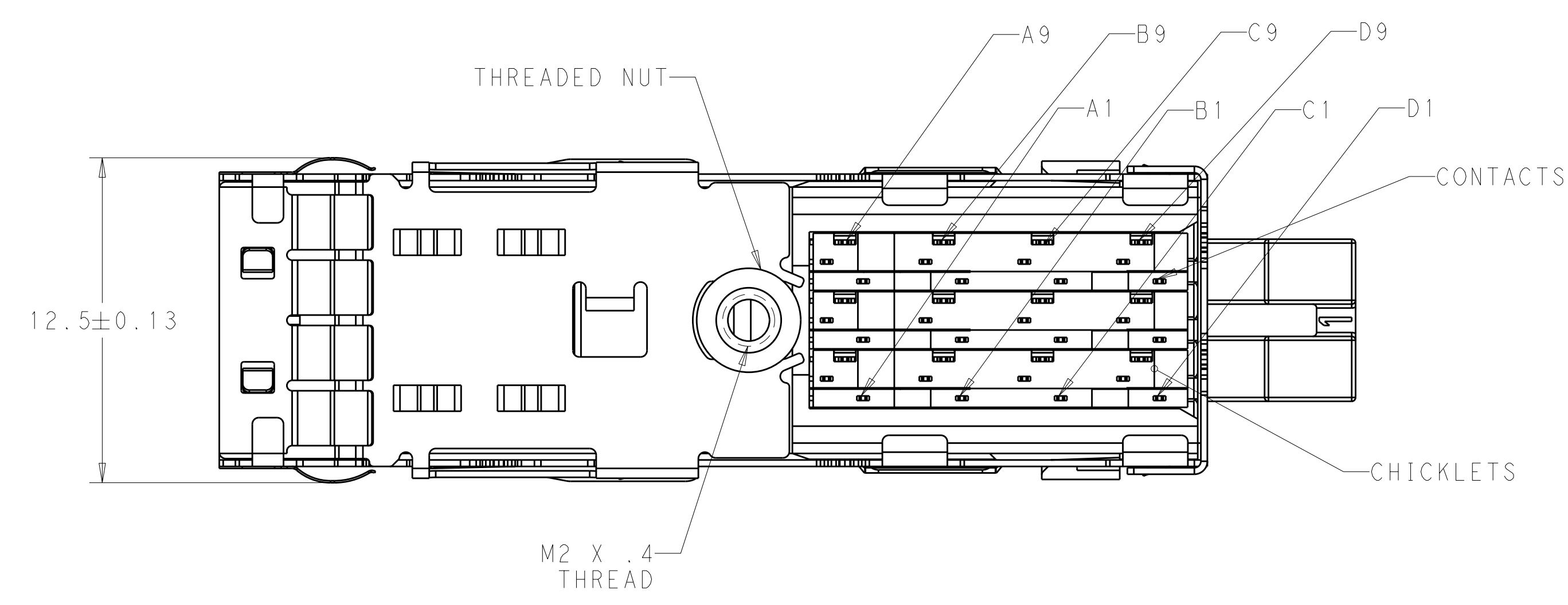
Address: A1208, Overseas Decoration Building, #122 Zhenhua RD., Futian, Shenzhen, China



LOC		DIST		REVISIONS			
AG	00	P	LTG	DESCRIPTION	DATE	DWN	APVD
		1		PROPOSED	15NOV2011	JTS	JTS
		2		REMOVED PRELIMINARY NOTE	05JAN2012	PK	JTS
				ADDED NOTE 5			
		3		PCB KEEPOUT UPDATE	13MAR2013	JS	JS



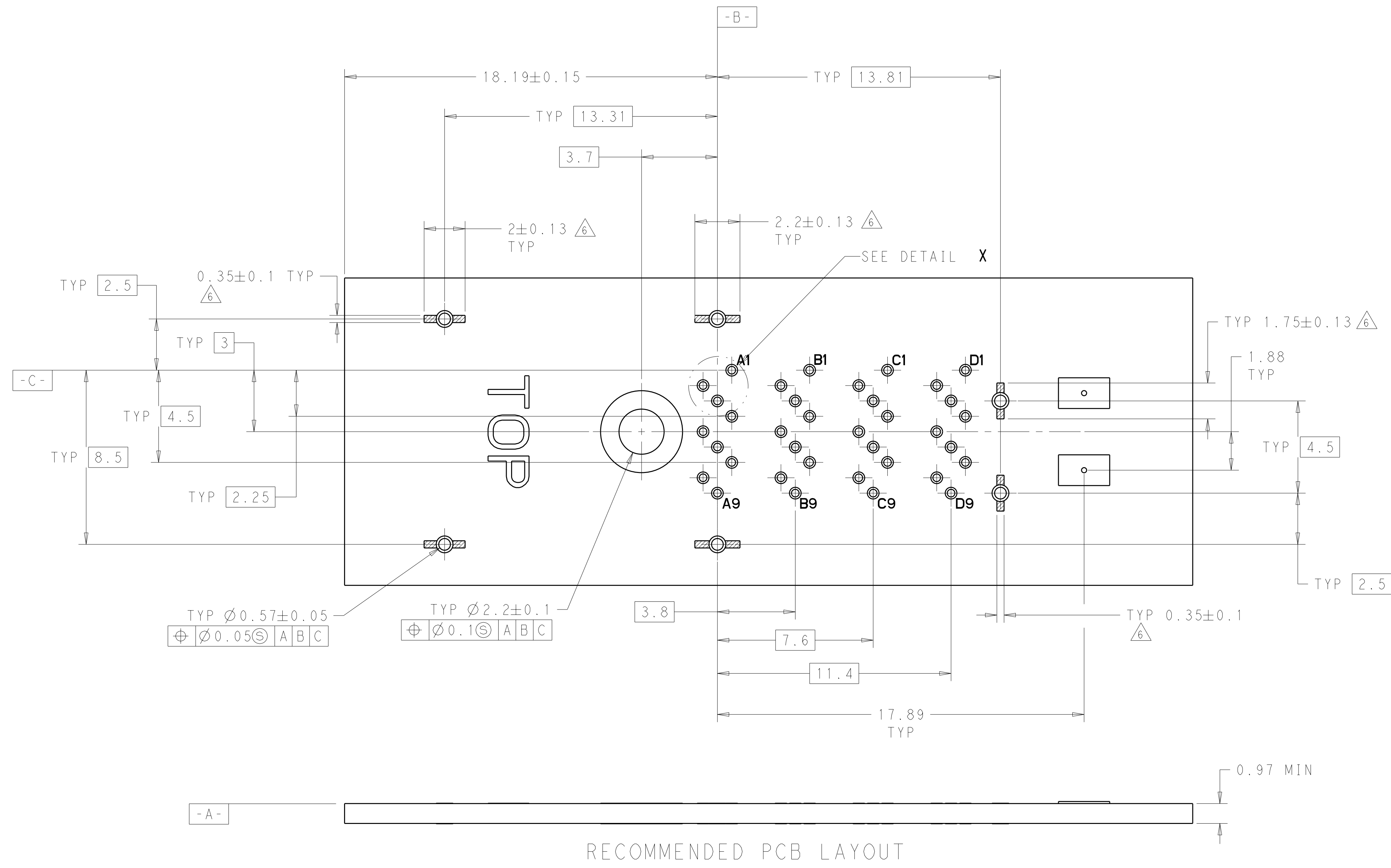
- 1. MATERIALS**
 RECEPTACLE HOUSING, LCP, BLACK, UL94V-0 RATED
 SHIELD ASSY: NICKEL-SILVER COPPER ALLOY
 CONTACTS: COPPER ALLOY
 EMI SPRING: COPPER ALLOY
 THREADED NUT: BRASS
 CHICKLETS: LCP, BLACK, UL 94V-0 RATED
 LIGHTPIPE CLIP: STAINLESS STEEL
 LIGHTPIPE: POLYCARBONATE
 - 2. FINISH**
 EMI SPRING: TIN PLATE OVER NICKEL PLATE
 NON-PLATED EDGES PERMISSABLE
 THREADED NUT: NICKEL PLATE
3. CONTACT FINISH: CONFORMS TO THE REQUIREMENTS OF TE PRODUCT SPECIFICATION, 108-2399. BASED ON EIA/ECA-364-1000.01A. (CONTROLLED ENVIRONMENT APPLICATIONS) ON MATING END. TIN PLATED ON PCB TAIL
4. THREAD LENGTH OF FASTENER = PCB THICKNESS+1.45 MAX
5. THIS PRODUCT HAS NOT COMPLETED VALIDATION/QUALIFICATION TESTING
6. RECOMMENDED TRACE KEEP OUT ZONE



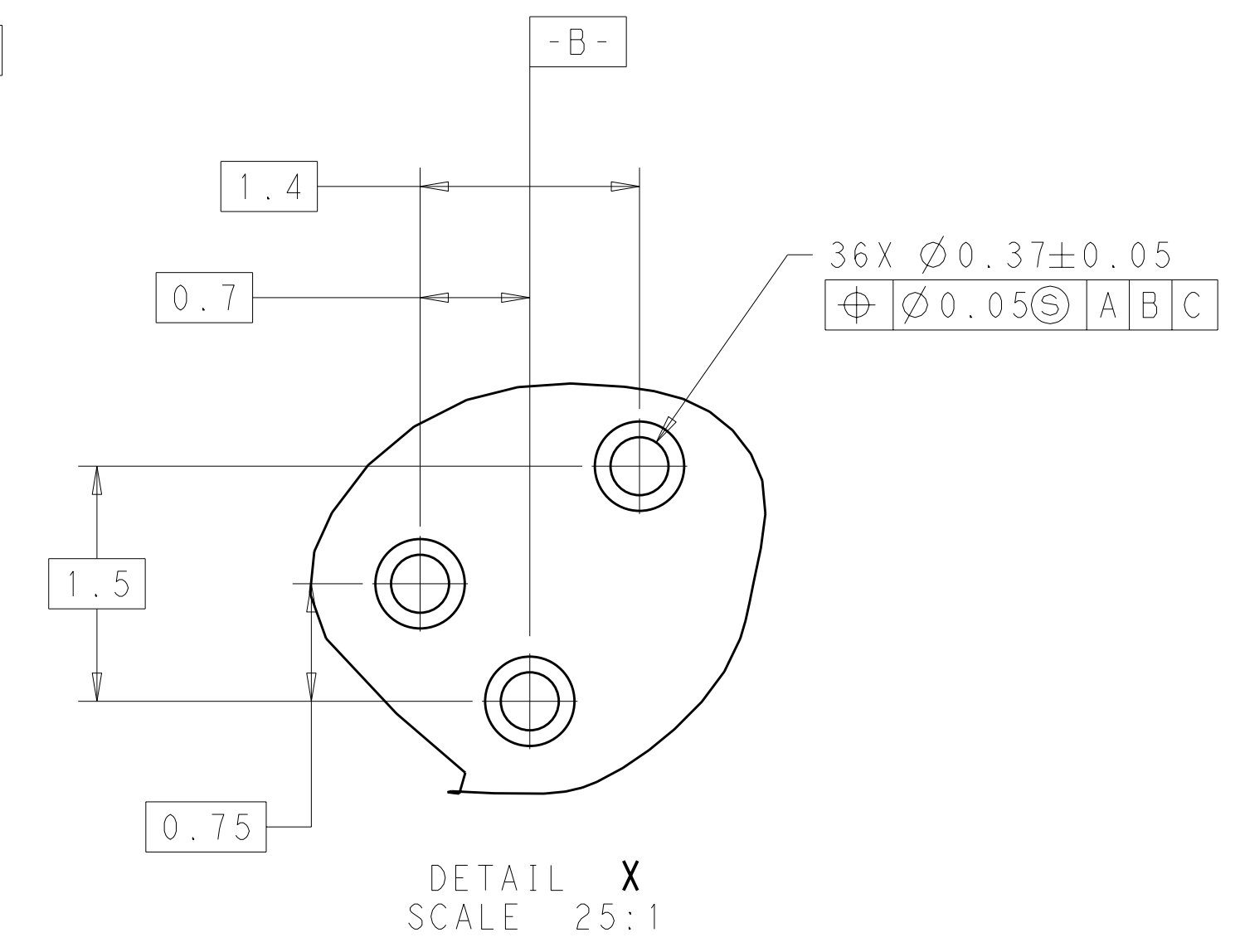
2198484-1
 PART NUMBER

THIS DRAWING IS A CONTROLLED DOCUMENT.		DWN	J. SECHRIST	15NOV2011	NAME	RESTRICTED TO
		CHK	J. SECHRIST	15NOV2011		
DIMENSIONS:		TOLERANCES UNLESS OTHERWISE SPECIFIED:		PRODUCT SPEC		
mm		9 PLC ±		108-2462		
		2 PLC ±0.25		APPLICATION SPEC		
		5 PLC ±0.13		114-13316		
		4 PLC ±		WEIGHT		
		ANGLES ±		A100779C=2198484		
MATERIAL		FINISH		CUSTOMER DRAWING		
				SCALE 6:1 SHEET 1 OF 3 REV 3		

LOC	DIST	REVISIONS			
AG	00	REV	DATE	BY	APPD
		1			
		2			
		3			
		4			
		5			
		6			
		7			
		8			
		9			
		10			
		11			
		12			
		13			
		14			
		15			
		16			
		17			
		18			
		19			
		20			

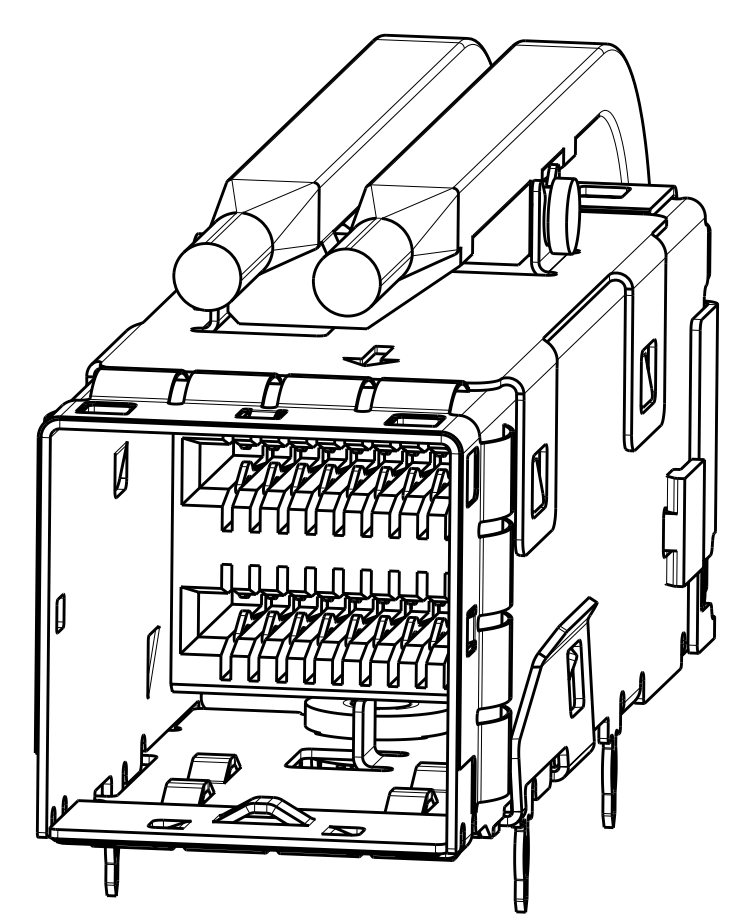
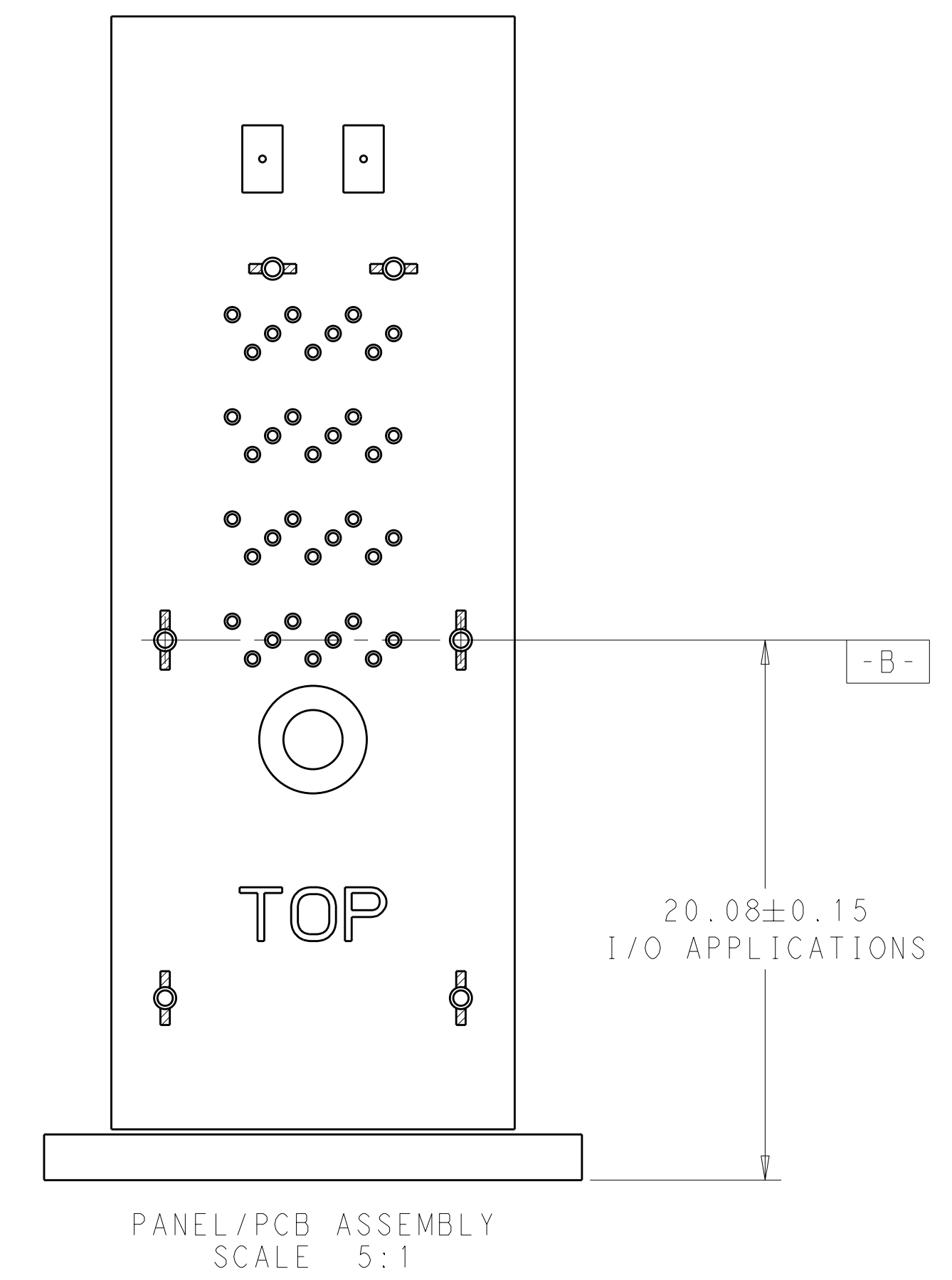
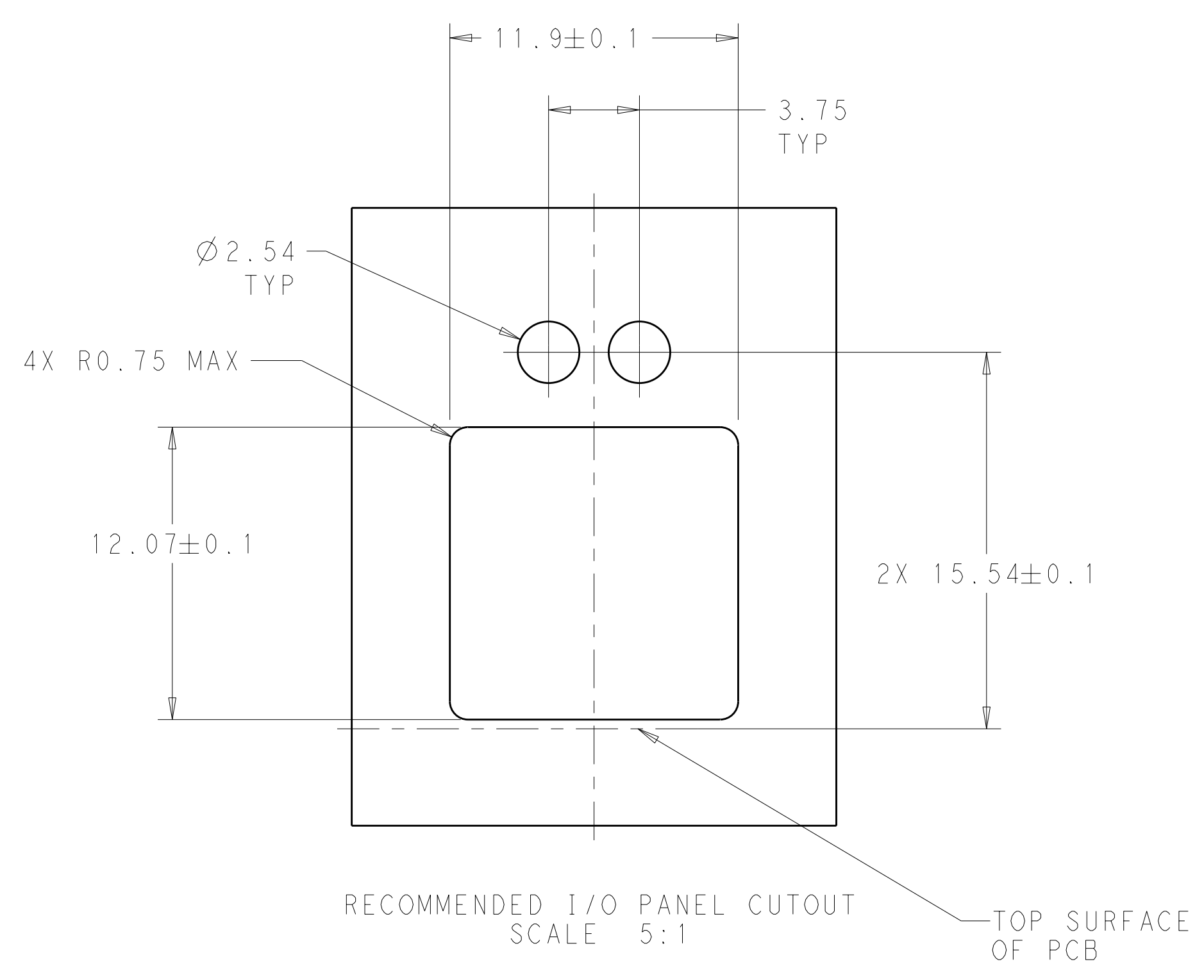


RECOMMENDED PCB LAYOUT



THIS DRAWING IS A CONTROLLED DOCUMENT.		DATE: 15NOV2011	DWG: J. SECHRIST	
DIMENSIONS: mm		DATE: 15NOV2011	CHK: J. SECHRIST	
TOLERANCES UNLESS OTHERWISE SPECIFIED:		APVD: -	NAME: -	
9 PLC \pm		PRODUCT SPEC: 108-2462	SIZE: CAGE CODE: DRAWING NO: A100779	
2 PLC ± 0.25		APPLICATION SPEC: 114-13316	C=2198484	
5 PLC ± 0.13		WEIGHT: -	RESTRICTED TO: -	
4 PLC \pm		CUSTOMER DRAWING	SCALE: 6:1 SHEET 2 OF 3 REV 3	
ANGLES \pm				
FINISH \pm				

LOC	DIST	REVISIONS			
AG	00	REV	DATE	BY	APPD
-	-	SEE SHEET 1	-	-	-



THIS DRAWING IS A CONTROLLED DOCUMENT.		DWN: J. SECHRIST 15NOV2011	TE Connectivity RECEPTACLE ASSEMBLY, MINI-SAS HD, 1X W/ LIGHT PIPES	
DIMENSIONS: mm		CHK: J. SECHRIST 15NOV2011		
TOLERANCES UNLESS OTHERWISE SPECIFIED:		APVD: J. SECHRIST	NAME: -	
0 PLC ± 1 PLC ±0.25 2 PLC ±0.13 3 PLC ± 4 PLC ± ANGLES ±		PRODUCT SPEC: 108-2462	SIZE: CAGE CODE: DRAWING NO: RESTRICTED TO: -	
MATERIAL: -		APPLICATION SPEC: 114-13316	A100779C=2198484	
FINISH: -		WEIGHT: -	CUSTOMER DRAWING	
		SCALE: 6:1	SHEET: 3 OF 3	REV: 3