



Chipsmall Limited consists of a professional team with an average of over 10 year of expertise in the distribution of electronic components. Based in Hongkong, we have already established firm and mutual-benefit business relationships with customers from,Europe,America and south Asia,supplying obsolete and hard-to-find components to meet their specific needs.

With the principle of "Quality Parts,Customers Priority,Honest Operation,and Considerate Service",our business mainly focus on the distribution of electronic components. Line cards we deal with include Microchip,ALPS,ROHM,Xilinx,Pulse,ON,Everlight and Freescale. Main products comprise IC,Modules,Potentiometer,IC Socket,Relay,Connector.Our parts cover such applications as commercial,industrial, and automotives areas.

We are looking forward to setting up business relationship with you and hope to provide you with the best service and solution. Let us make a better world for our industry!



## Contact us

Tel: +86-755-8981 8866 Fax: +86-755-8427 6832

Email & Skype: info@chipsmall.com Web: www.chipsmall.com

Address: A1208, Overseas Decoration Building, #122 Zhenhua RD., Futian, Shenzhen, China



4

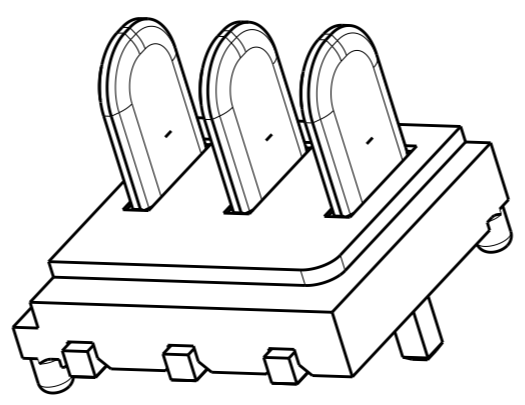
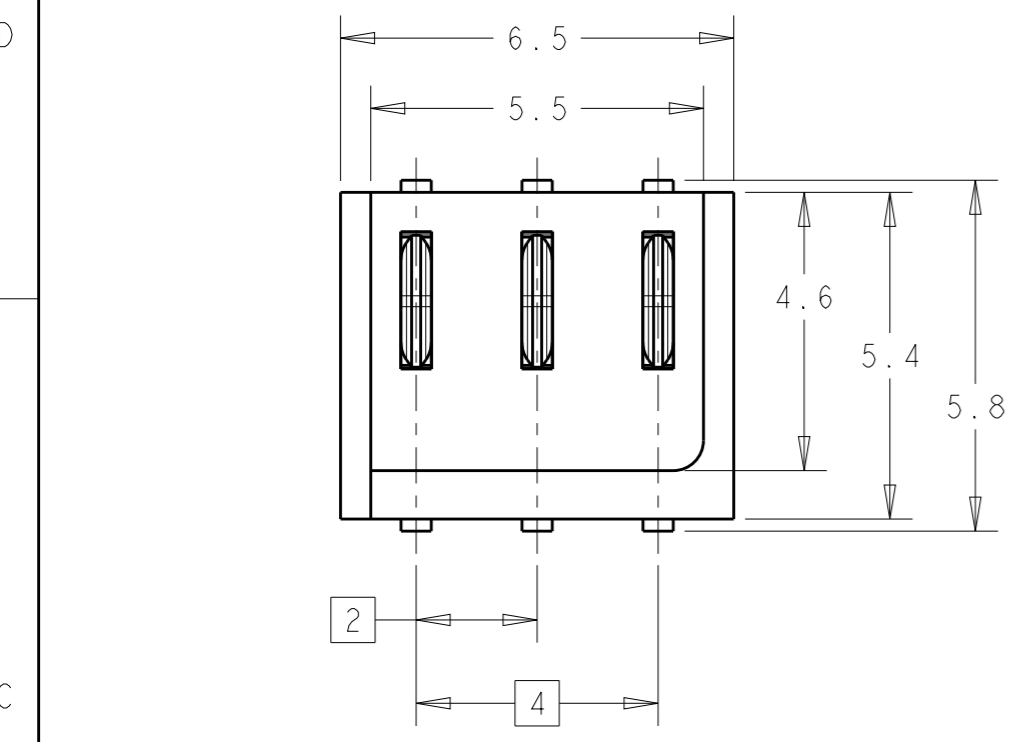
3

2

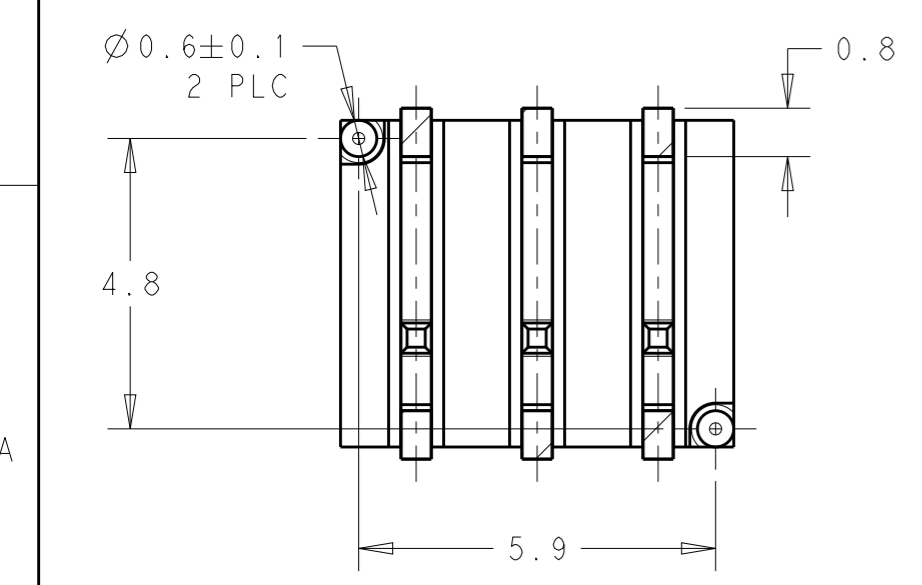
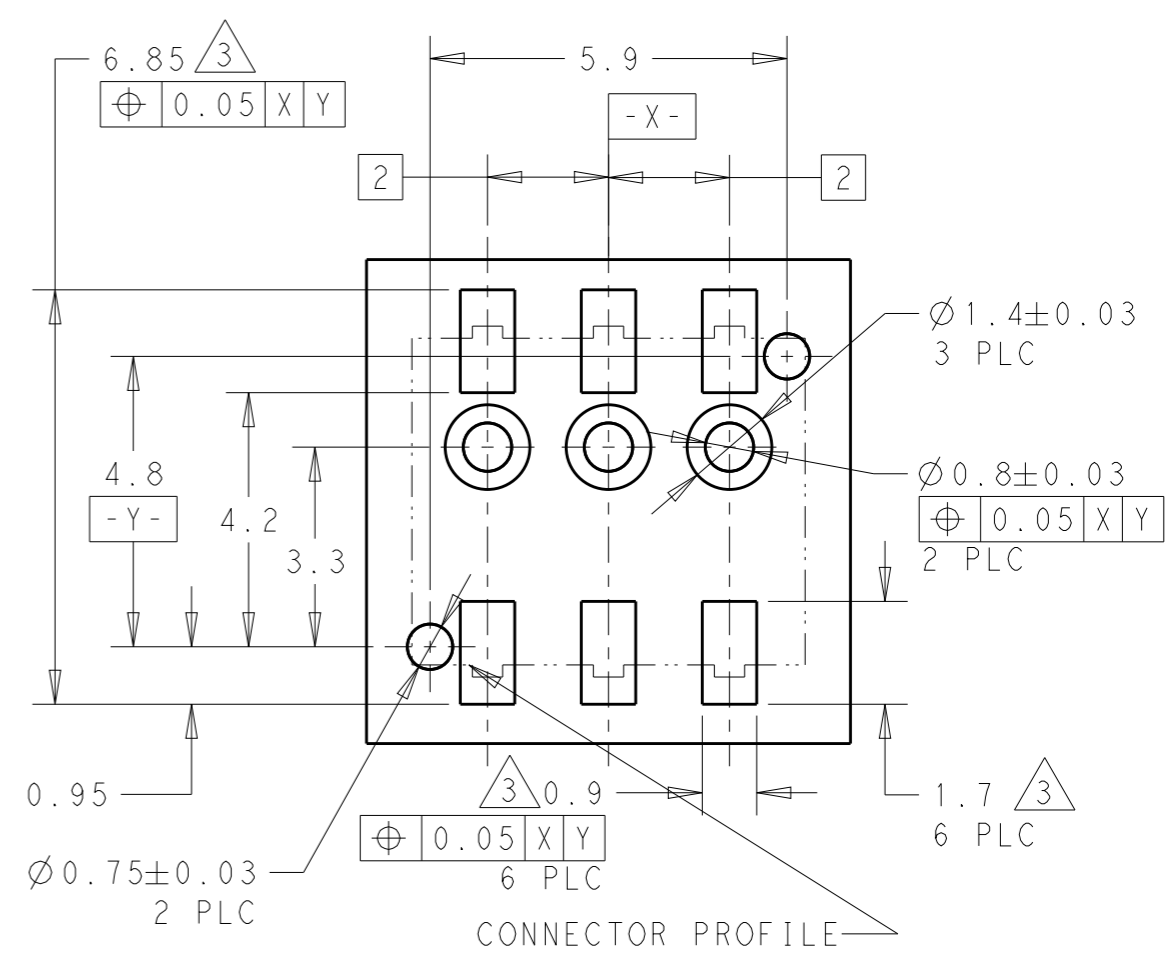
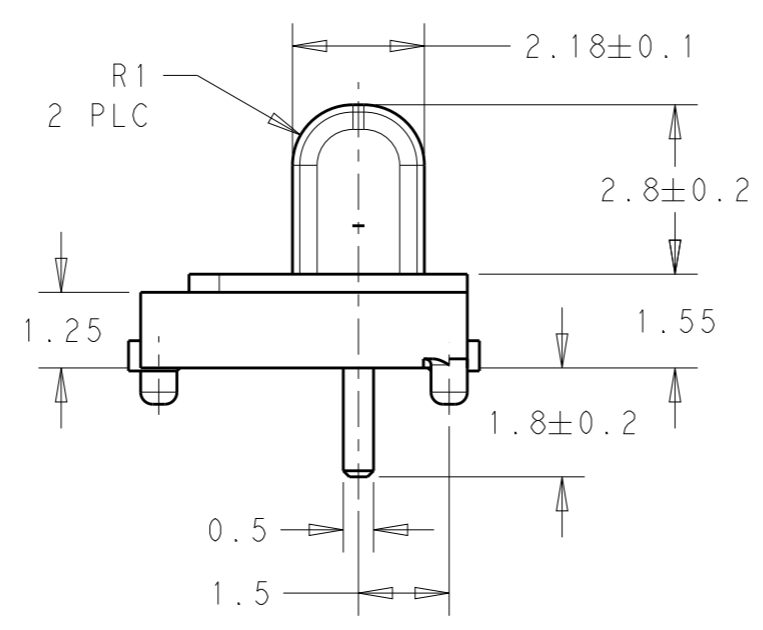
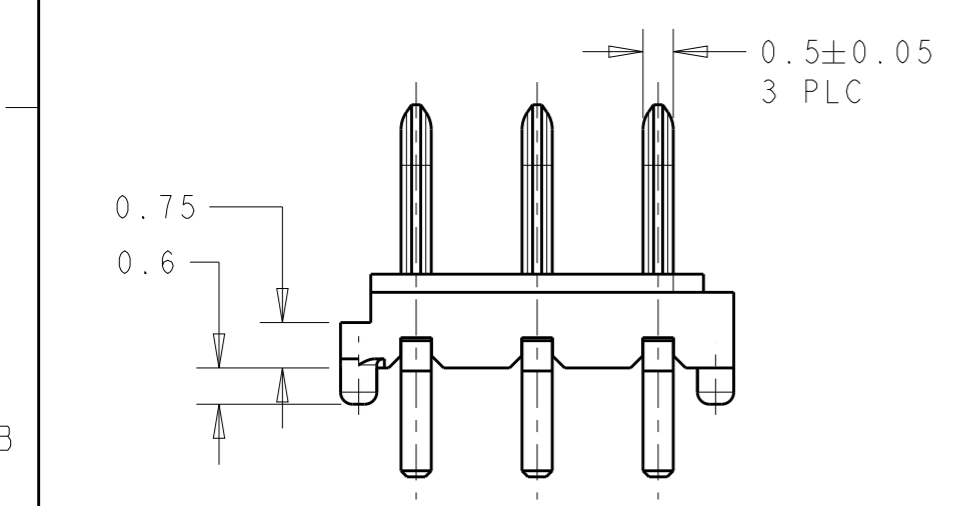
1

THIS DRAWING IS UNPUBLISHED. RELEASED FOR PUBLICATION 20  
 © COPYRIGHT 20 BY - ALL RIGHTS RESERVED.

LOC		DIST		REVISIONS			
P	LTR	DESCRIPTION	DATE	DWN	APVD		
-	-						



NOTES:  
 1 MATERIAL:  
 HOUSING; THERMOPLASTIC RESIN, UL94V-0, BLACK  
 CONTACT; COPPER ALLOY  
 2 FINISH: ALL OVER Ni UNDER PLATING.  
 CONTACT AREA: GOLD PLATING  
 SODERING AREA: GOLD FLASH  
 3 NECESSARY SURFACEMOUNTING BY REFLOW



2199011-1 AS SHOWN

THIS DRAWING IS A CONTROLLED DOCUMENT.		DWN	E.L	11 JAN 2012	 TE Connectivity		
DIMENSIONS: mm		CHK	X.X	11 JAN 2012			
TOLERANCES UNLESS OTHERWISE SPECIFIED:		APVD	X.X	11 JAN 2012			
0 PLC ±- 1 PLC ±0.3 2 PLC ±0.25 3 PLC ±0.2 4 PLC ±0.2 ANGLES ±-		PRODUCT SPEC	108-5846				
MATERIAL 1		FINISH	2		NAME	BATTERY BLOCK PLUG ASSEMBLY 3 POS 2.0MM PITCH	
		WEIGHT	0.21 G		SIZE	A3	
		Customer Drawing		SCALE	8:1	CAGE CODE	00779
				SHEET	1	DRAWING NO	C-2199011
				OF	1	RESTRICTED TO	-
				REV	A		