



Chipsmall Limited consists of a professional team with an average of over 10 year of expertise in the distribution of electronic components. Based in Hongkong, we have already established firm and mutual-benefit business relationships with customers from,Europe,America and south Asia,supplying obsolete and hard-to-find components to meet their specific needs.

With the principle of “Quality Parts,Customers Priority,Honest Operation,and Considerate Service”,our business mainly focus on the distribution of electronic components. Line cards we deal with include Microchip,ALPS,ROHM,Xilinx,Pulse,ON,Everlight and Freescale. Main products comprise IC,Modules,Potentiometer,IC Socket,Relay,Connector.Our parts cover such applications as commercial,industrial, and automotives areas.

We are looking forward to setting up business relationship with you and hope to provide you with the best service and solution. Let us make a better world for our industry!



## Contact us

Tel: +86-755-8981 8866 Fax: +86-755-8427 6832

Email & Skype: info@chipsmall.com Web: www.chipsmall.com

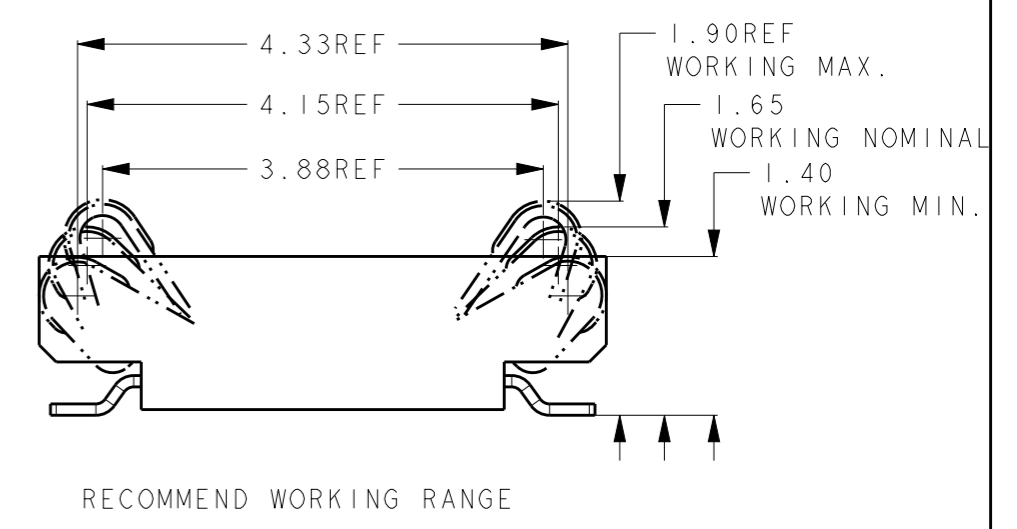
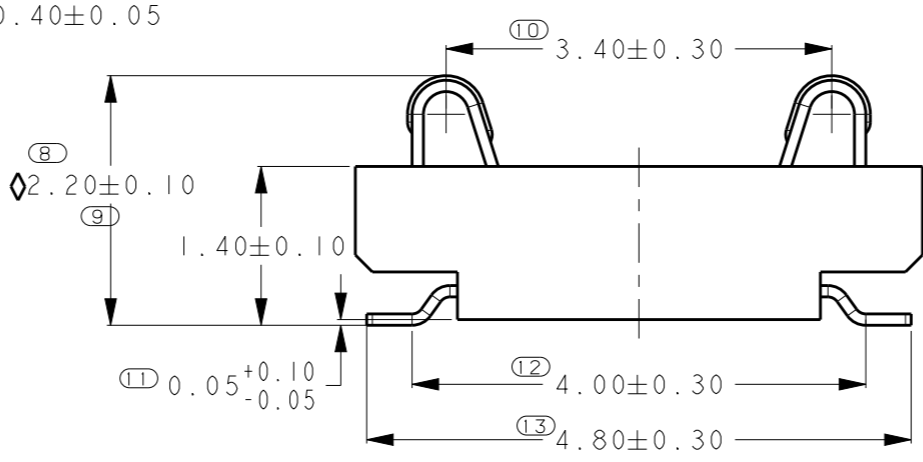
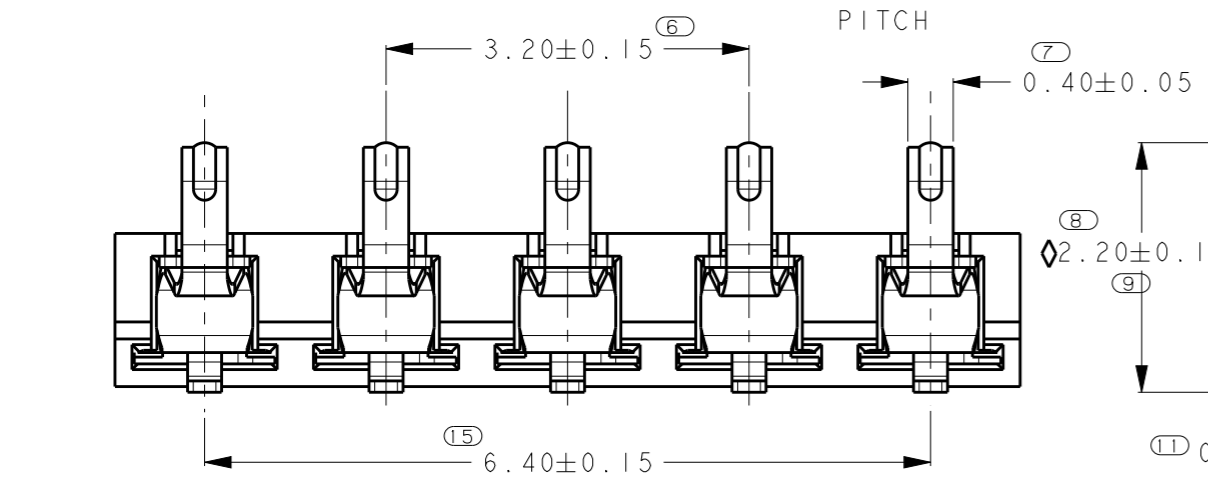
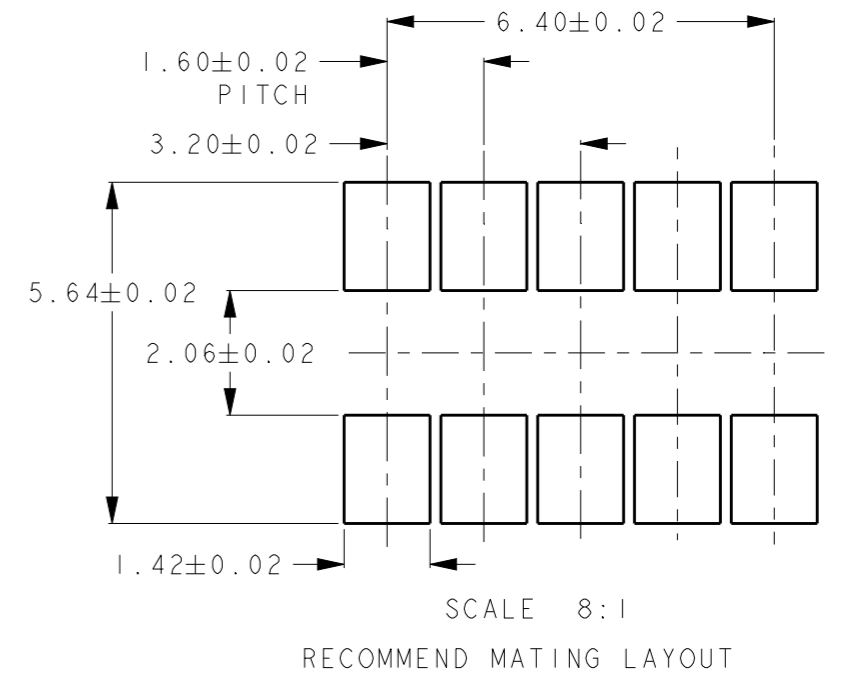
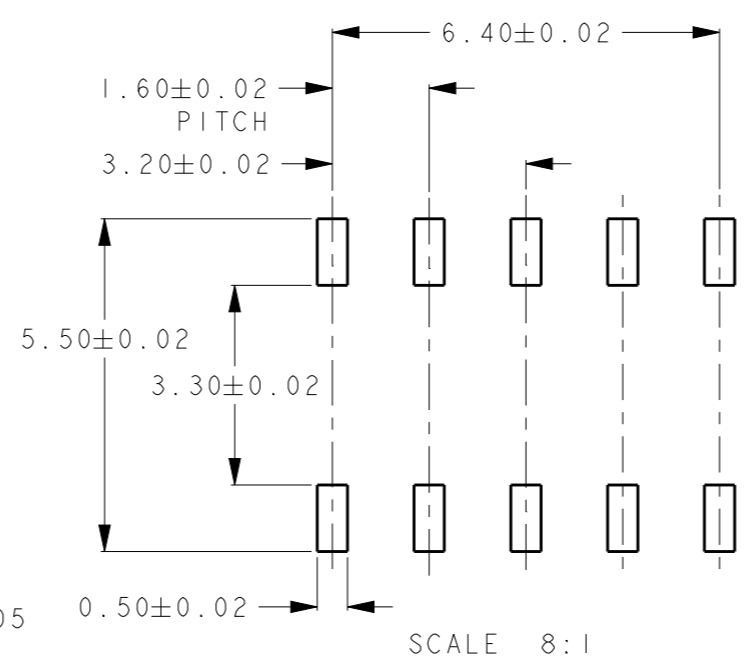
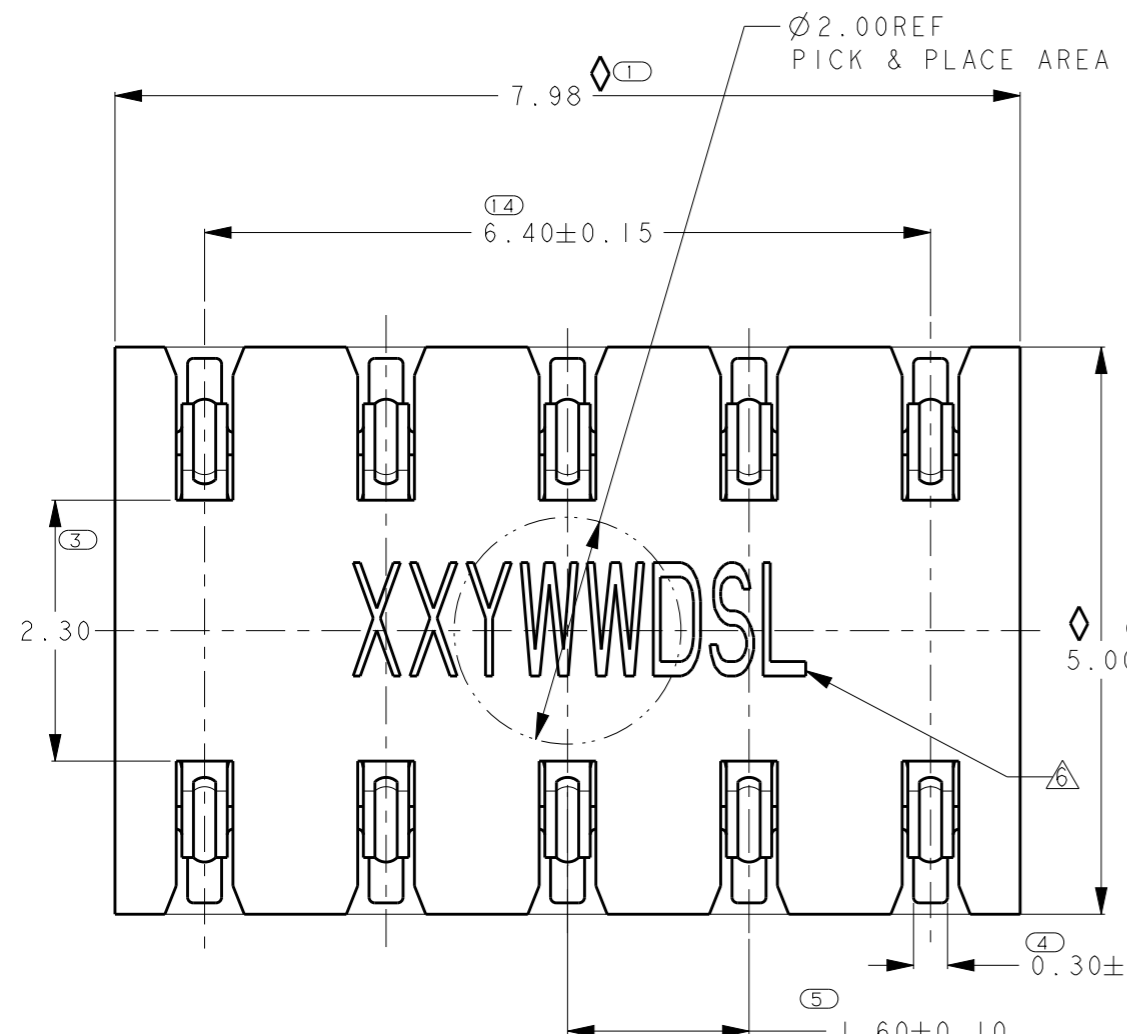
Address: A1208, Overseas Decoration Building, #122 Zhenhua RD., Futian, Shenzhen, China



THIS DRAWING IS UNPUBLISHED. RELEASED FOR PUBLICATION 20  
 © COPYRIGHT 20 ALL RIGHTS RESERVED.

LOC	DIST	REVISIONS				
P	LTR	DESCRIPTION	DATE	DWN	APVD	
ES		A	INITIAL	20MAR2013	R.W S.Y	

AS SHOWN: 2199035-2



NOTES:  
 MATERIAL : COPPER ALLOY, THICKNESS 0.10mm.  
 HOUSING : HIGH TEMPERATURE THERMAL PLASTIC UL94V-0 BLACK  
 FINISH : 0.10-0.2 um GOLD PLATING ON CONTACT AREA, 1.25 um MIN. NICKLE UNDER PLATING, GOLD FLASH PLATING ON SOLDERING AREA.  
 COPLANARITY : 0.08 MAX. AMANG ALL SOLDER TAILS.  
 PACKAGING : TAPE & REEL.  
 NMP CODE : 5469B96.  
 DATE CODE : "XXYWWSL"  
 XX = VERSION NO. FOR EXAMPLE: PI, VI, AI  
 P = PROTO TOOL; V = PRODUCTION TOOL; A = MASS APPROVED.  
 YWWD = PRODUCTION DATE (YEAR, WEEK, DAY).  
 S = SHIFT (D=DYA, N=NIGHT); L = LINE NUMBER.

THIS DRAWING IS A CONTROLLED DOCUMENT.		DWN	20MAR2013	 TE Connectivity	NAME		ONE PIECE BtoB CONNECTOR	
DIMENSIONS:		CHK	20MAR2013		PRODUCT SPEC		10 PINS, 1.6MM PITCH, HI. 65, TWO ROWS	
mm		APVD	20MAR2013		APPLICATION SPEC		108-115039	
TOLERANCES UNLESS OTHERWISE SPECIFIED: ±0.20					WEIGHT		0.101g	
0 PLC ± 1 PLC ± 2 PLC ± 3 PLC ± 4 PLC ± ANGLES ±5°		MATERIAL		SIZE		A300779		
FINISH		CUSTOMER DRAWING		DRAWING NO		C=2199035		
		SCALE		SHEET		REV		
		15:1		1 OF 2		A		

4

3

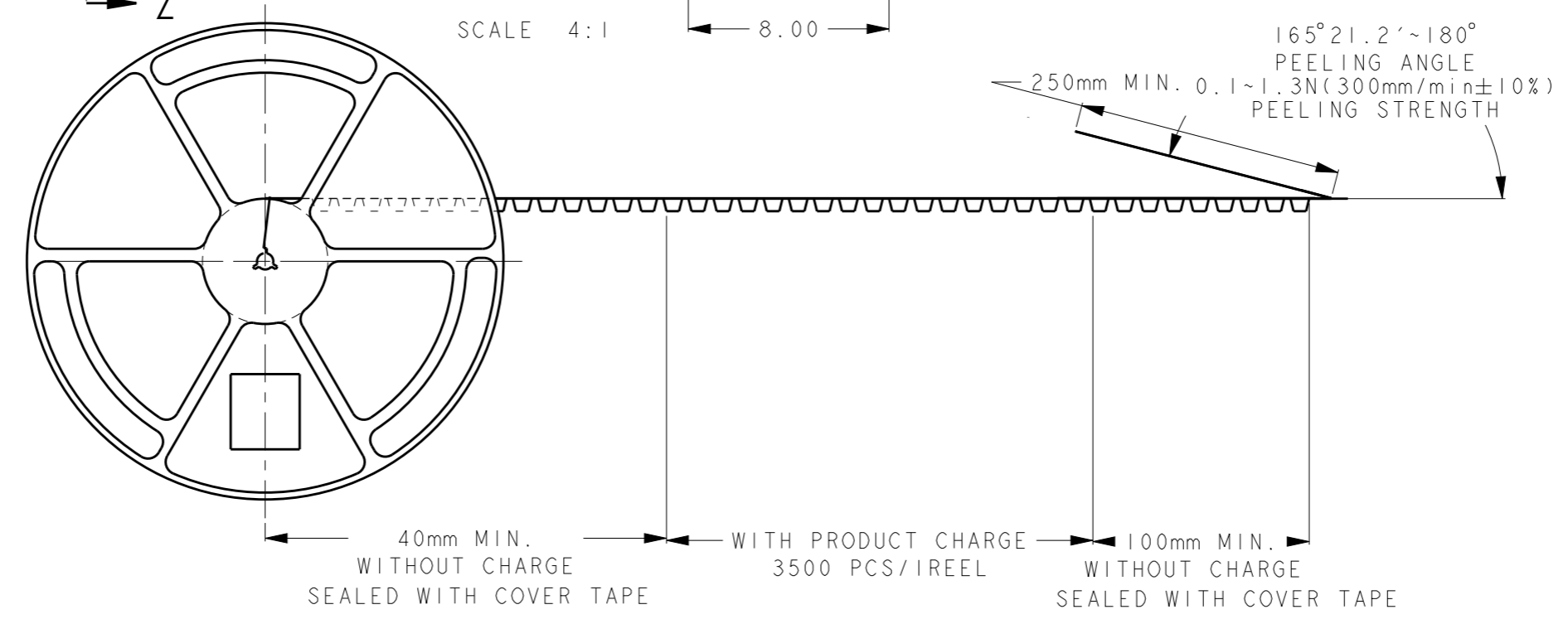
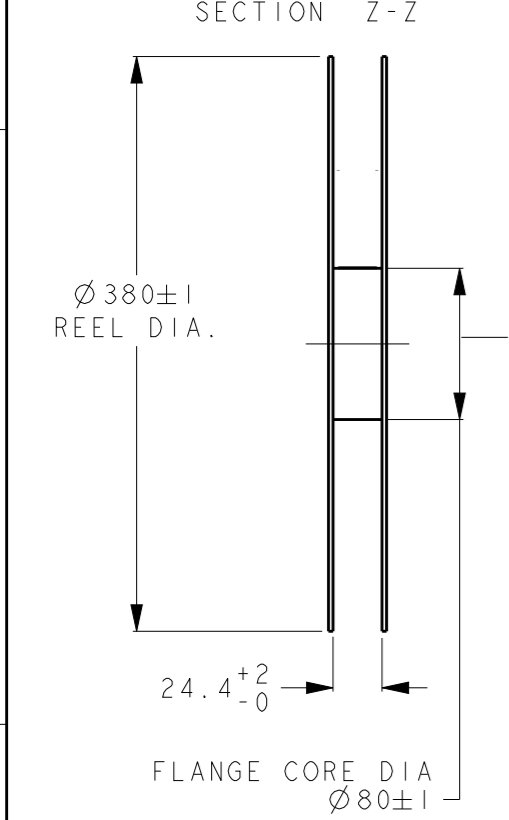
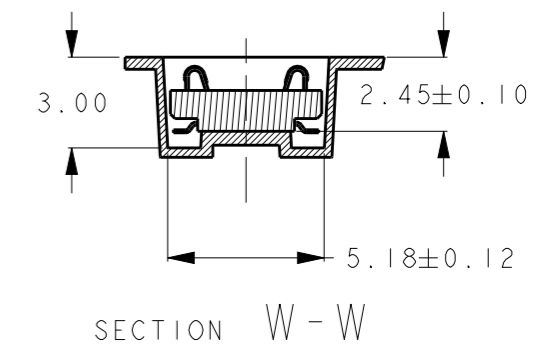
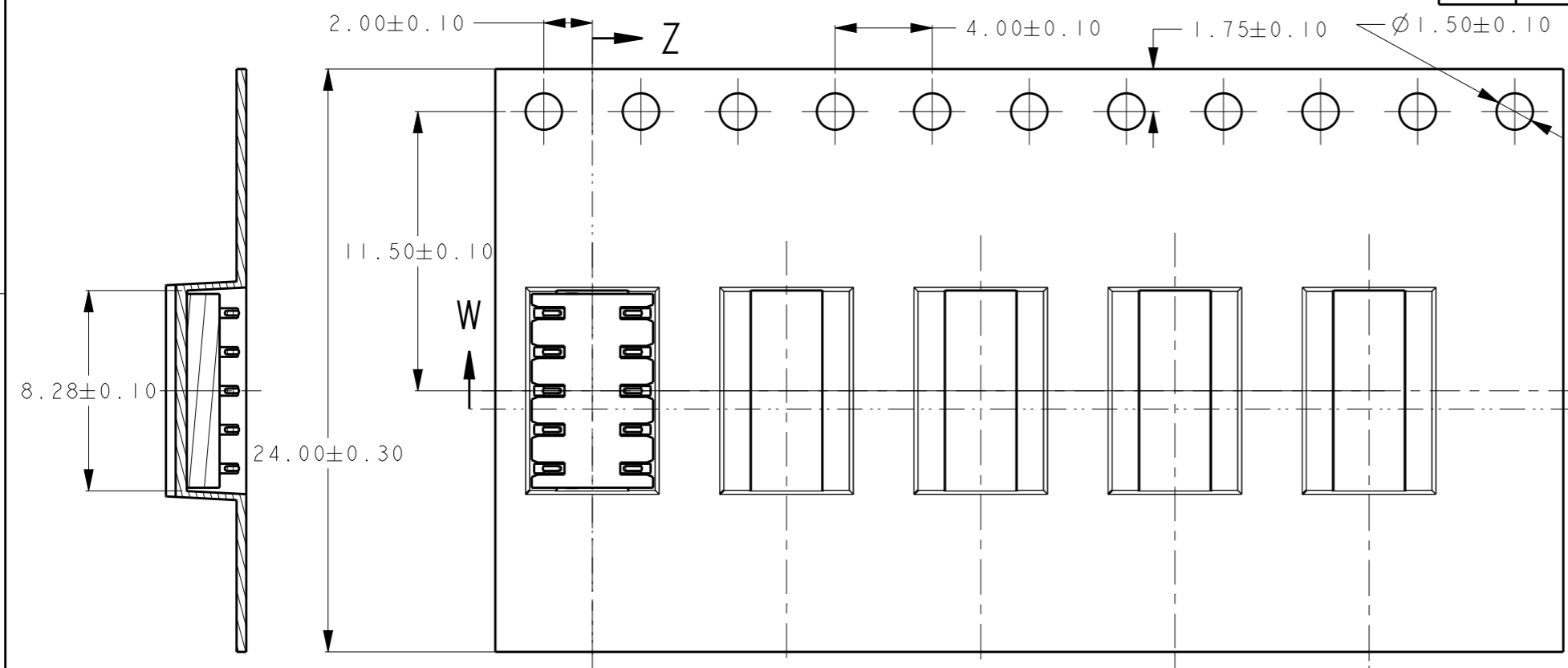
2

1


THIS DRAWING IS UNPUBLISHED. RELEASED FOR PUBLICATION 20 ALL RIGHTS RESERVED.

LOC ES DIST

REVISIONS					
P	LTR	DESCRIPTION	DATE	DWN	APVD
-	-	SEE SHEET 1	-	-	-



NOTES:  
 1. MATERIAL: P.S CLEAR, 0.4MM THICKNESS.  
 2. QUANTITY PER REEL: 3500 PIECES.

THIS DRAWING IS A CONTROLLED DOCUMENT.		DWN	20MAR2013	 TE Connectivity	NAME ONE PIECE BtoB CONNECTOR 10 PINS, 1.6MM PITCH, HI.65 TWO ROWS
DIMENSIONS: mm		CHK	20MAR2013		
TOLERANCES UNLESS OTHERWISE SPECIFIED: ±0.20		APVD	20MAR2013		
0-PLC ± 1-PLC ± 2-PLC ± 3-PLC ± 4-PLC ± ANGLES ±5°		STEVEN YAO	20MAR2013		
MATERIAL		FINISH		PRODUCT SPEC	-
				APPLICATION SPEC	-
				WEIGHT	-
				CUSTOMER DRAWING	
				SIZE	A300779
				CAGE CODE	C-2199035
				DRAWING NO	
				RESTRICTED TO	-
				SCALE	15:1
				SHEET	2 OF 2
				REV	A