



Chipsmall Limited consists of a professional team with an average of over 10 year of expertise in the distribution of electronic components. Based in Hongkong, we have already established firm and mutual-benefit business relationships with customers from,Europe,America and south Asia,supplying obsolete and hard-to-find components to meet their specific needs.

With the principle of “Quality Parts,Customers Priority,Honest Operation,and Considerate Service”,our business mainly focus on the distribution of electronic components. Line cards we deal with include Microchip,ALPS,ROHM,Xilinx,Pulse,ON,Everlight and Freescale. Main products comprise IC,Modules,Potentiometer,IC Socket,Relay,Connector.Our parts cover such applications as commercial,industrial, and automotives areas.

We are looking forward to setting up business relationship with you and hope to provide you with the best service and solution. Let us make a better world for our industry!



Contact us

Tel: +86-755-8981 8866 Fax: +86-755-8427 6832

Email & Skype: info@chipsmall.com Web: www.chipsmall.com

Address: A1208, Overseas Decoration Building, #122 Zhenhua RD., Futian, Shenzhen, China



THIS DRAWING IS UNPUBLISHED.

RELEASED FOR PUBLICATION

20

LOC

DIST

REVISIONS

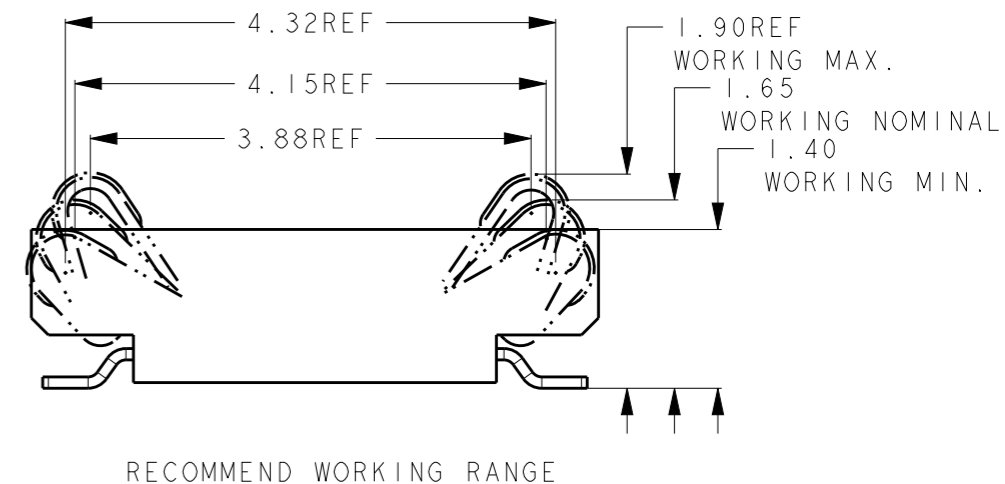
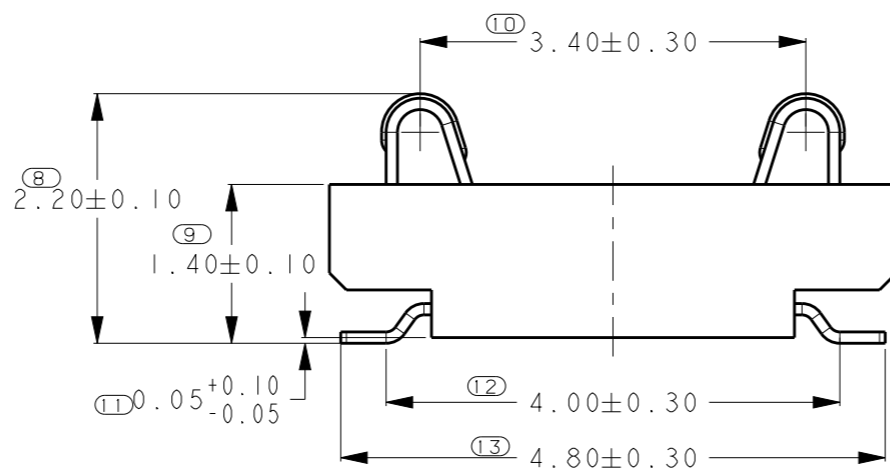
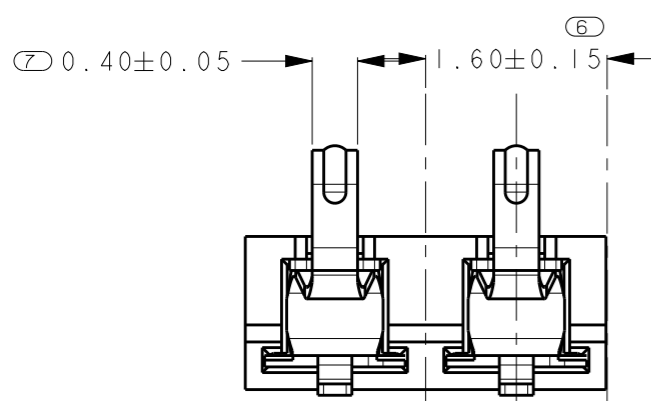
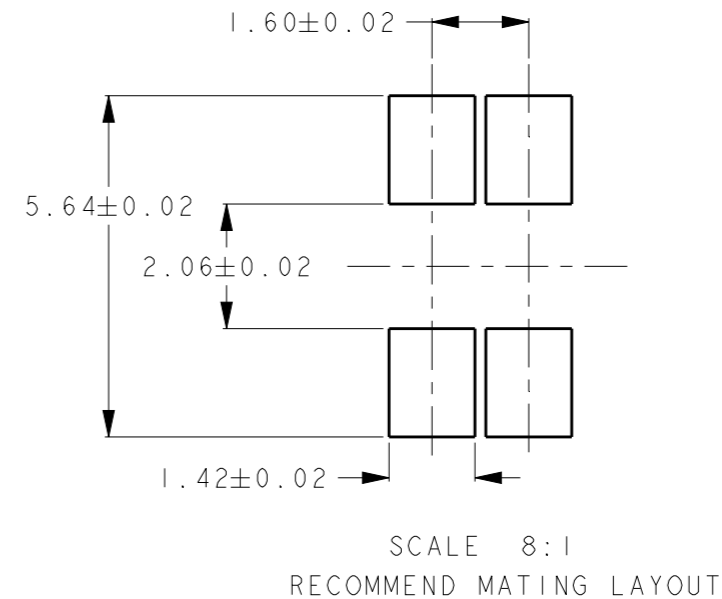
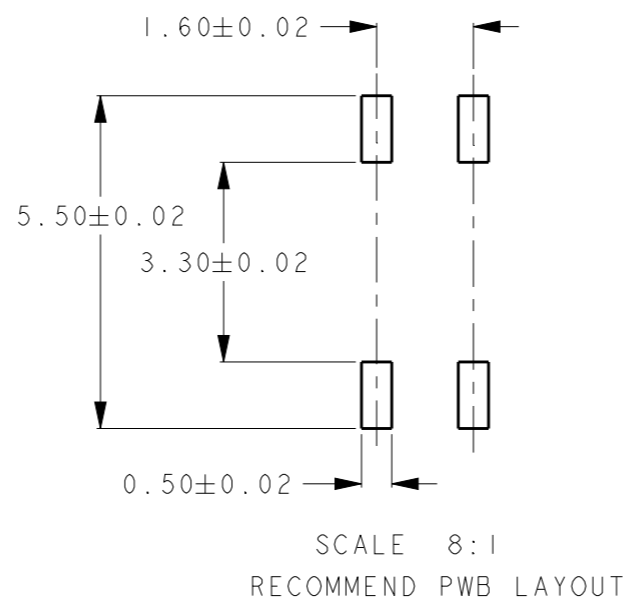
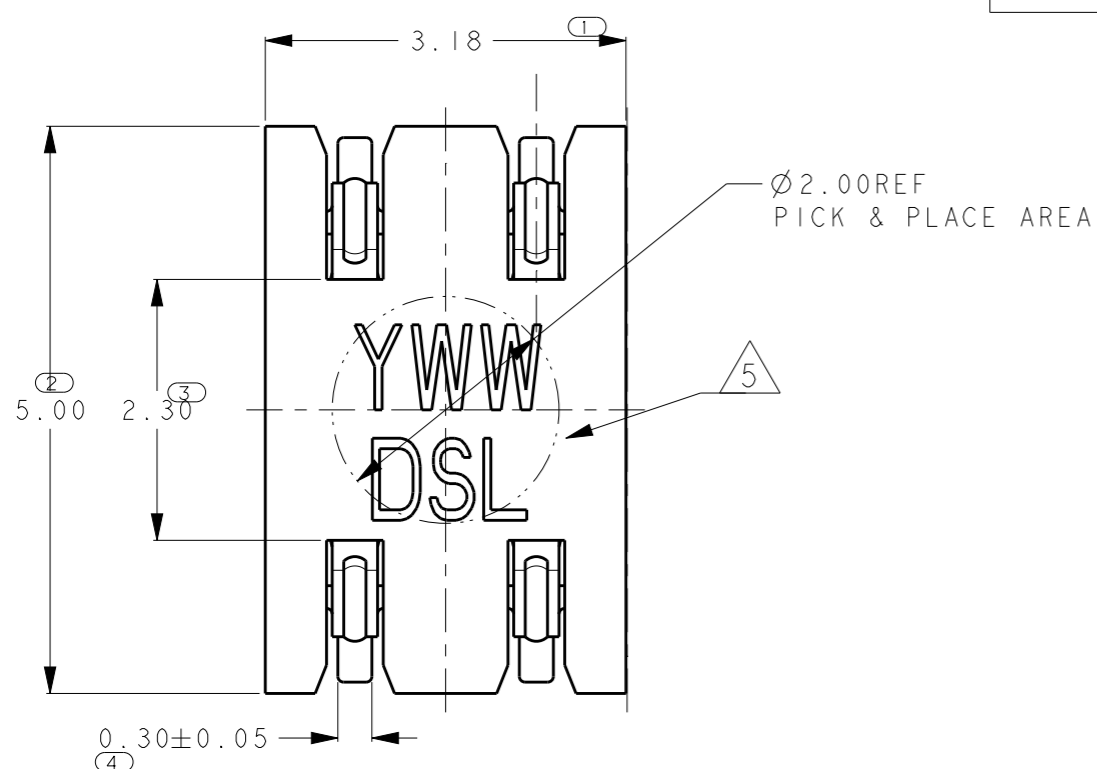
© COPYRIGHT 20

ALL RIGHTS RESERVED.

ES

P	LTR	DESCRIPTION	DATE	DWN	APVD
	4	REVISED	15OCT2013	R.W	W.H

AS SHOWN: 2199075-2



- NOTES:
- 1 MATERIAL
TERMINAL : COPPER ALLOY, THICKNESS 0.10mm.
HOUSING : HIGH TEMPERATURE THERMO PLASTIC
UL94V-0 BLACK
 - 2 FINISH
TERMINAL : 0.10-0.2 um GOLD PLATING ON CONTACT AREA,
1.25 um MIN. NICKLE UNDER PLATING,
GOLD FLASH PLATING ON SOLDERING AREA.
 - 3 COPLANARITY : 0.08 MAX. AMANG ALL SOLDER TAILS.
 - 4 PACKAGING : TAPE & REEL.
 - 5 DATE CODE : "YWWDSL"
YWW = PRODUCTION DATE (YEAR, WEEK, DAY).
S = SHIFT (D=DYA, N=NIGHT); L = LINE NUMBER.

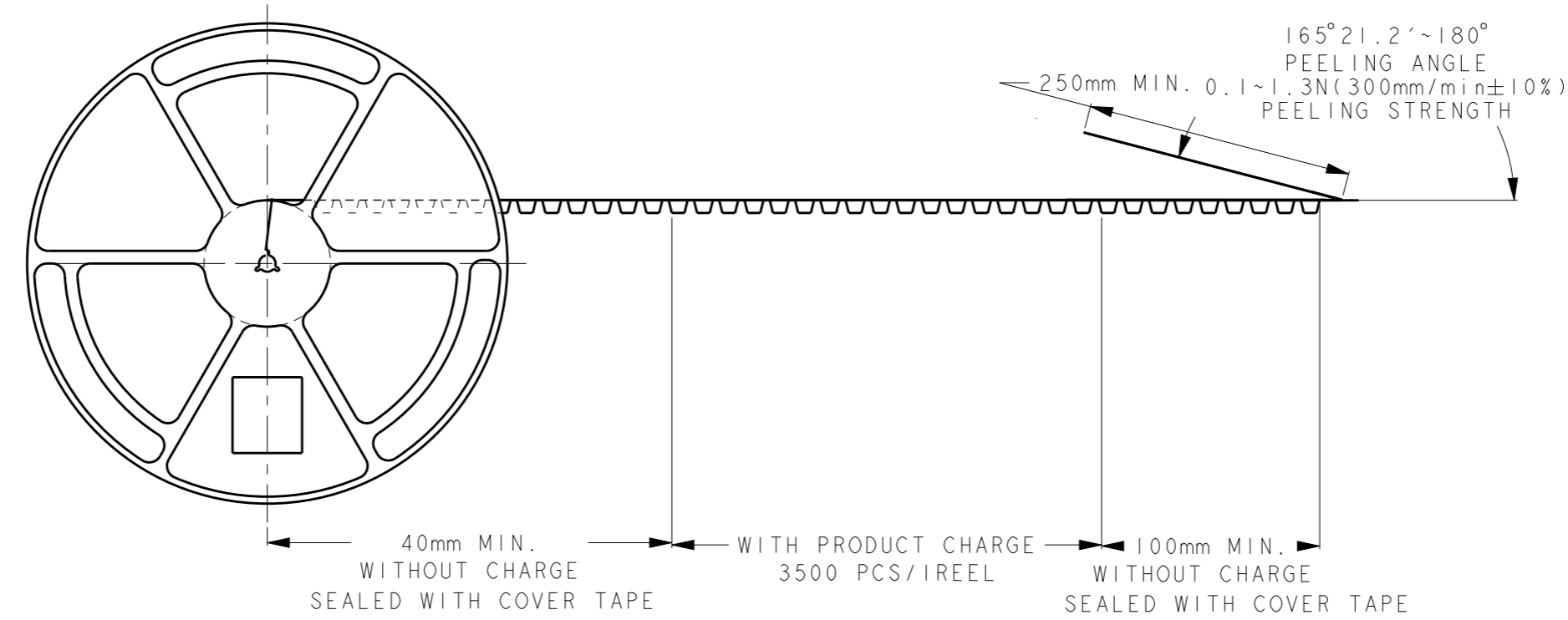
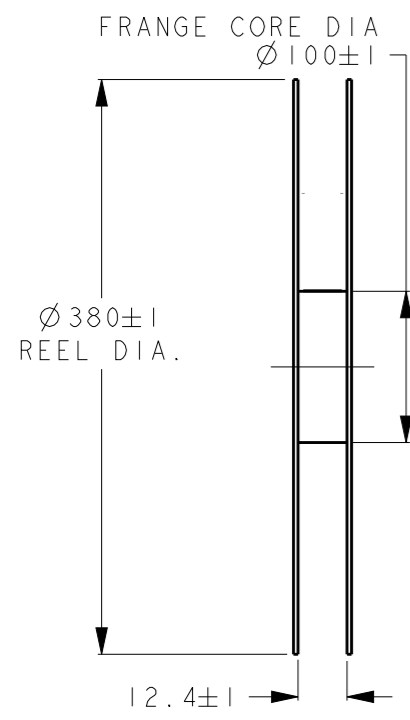
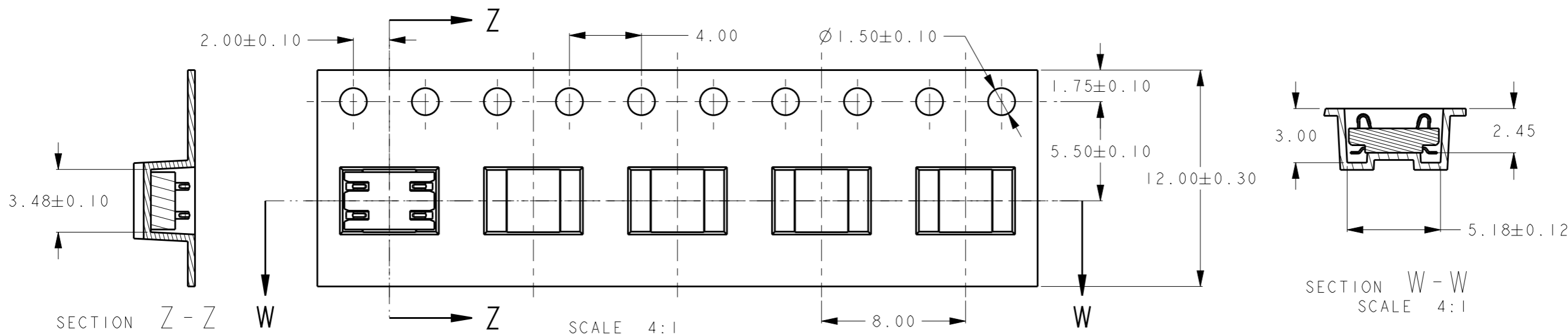
THIS DRAWING IS A CONTROLLED DOCUMENT.

DIMENSIONS:		TOLERANCES UNLESS OTHERWISE SPECIFIED:	
mm		± 0.20	
		0 PLC	±
		1 PLC	±
		2 PLC	±
		3 PLC	±
MATERIAL		FINISH	
1		2	

DWN	02APR2013
RAY WANG	
CHK	02APR2013
WENKE HE	
APVD	STEVEN YAO
PRODUCT SPEC	108-115039
APPLICATION SPEC	-
WEIGHT	-g
CUSTOMER DRAWING	

STE TE Connectivity			
NAME ONE PIECE BtoB CONNECTOR 4 PINS, 1.6MM PITCH, H1.65, TWO ROWS			
SIZE	CAGE CODE	DRAWING NO	RESTRICTED TO
A300779	C-2199075		-
SCALE 20:1		SHEET 1 OF 2	REV 4

P	LTR	DESCRIPTION	DATE	DWN	APVD
-	-	SEE SHEET 1	-	-	-



NOTES:
 1. MATERIAL: P.S CLEAR, 0.4MM THICKNESS.
 2. QUANTITY PER REEL: 3500 PIECES.

THIS DRAWING IS A CONTROLLED DOCUMENT.		DWN	02APR2013	STE TE Connectivity
		CHK	02APR2013	
		APVD	02APR2013	
DIMENSIONS: mm		TOLERANCES UNLESS OTHERWISE SPECIFIED: ± 0.20		NAME
		0-PLC \pm		ONE PIECE BtoB CONNECTOR
		1-PLC \pm		4 PINS, 1.6MM PITCH, HI.65 TWO ROWS
		2-PLC \pm		SIZE
		3-PLC \pm		CAGE CODE
		4-PLC \pm		DRAWING NO
		ANGLES $\pm 5^\circ$		RESTRICTED TO
MATERIAL		FINISH		A300779
		WEIGHT		C-2199075
		CUSTOMER DRAWING		SCALE 20:1
				SHEET 2 OF 2
				REV 4