



Chipsmall Limited consists of a professional team with an average of over 10 year of expertise in the distribution of electronic components. Based in Hongkong, we have already established firm and mutual-benefit business relationships with customers from,Europe,America and south Asia,supplying obsolete and hard-to-find components to meet their specific needs.

With the principle of “Quality Parts,Customers Priority,Honest Operation,and Considerate Service”,our business mainly focus on the distribution of electronic components. Line cards we deal with include Microchip,ALPS,ROHM,Xilinx,Pulse,ON,Everlight and Freescale. Main products comprise IC,Modules,Potentiometer,IC Socket,Relay,Connector.Our parts cover such applications as commercial,industrial, and automotives areas.

We are looking forward to setting up business relationship with you and hope to provide you with the best service and solution. Let us make a better world for our industry!



Contact us

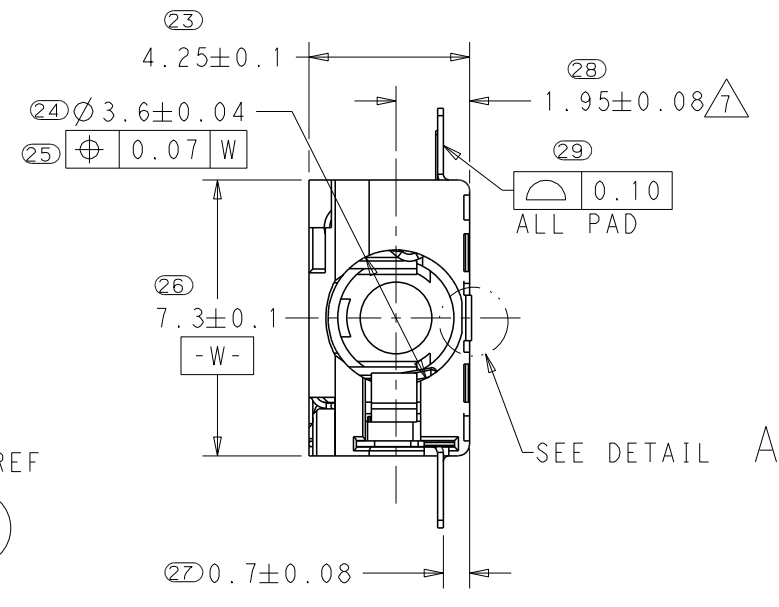
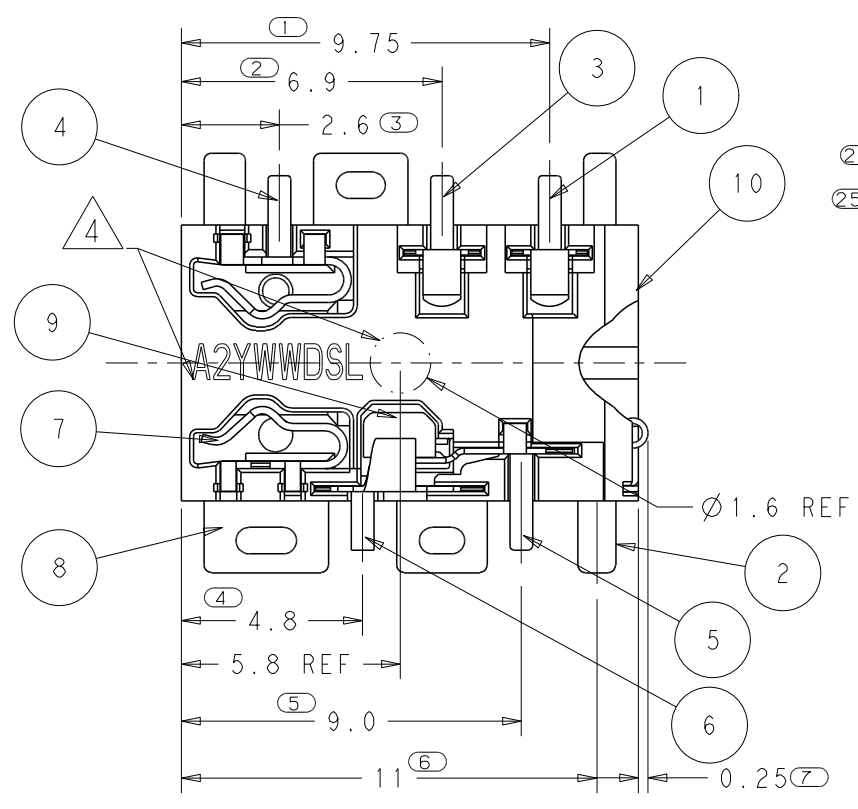
Tel: +86-755-8981 8866 Fax: +86-755-8427 6832

Email & Skype: info@chipsmall.com Web: www.chipsmall.com

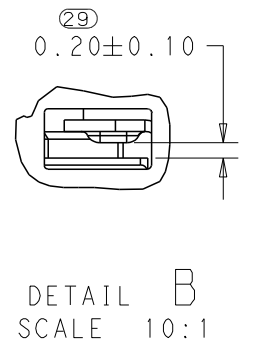
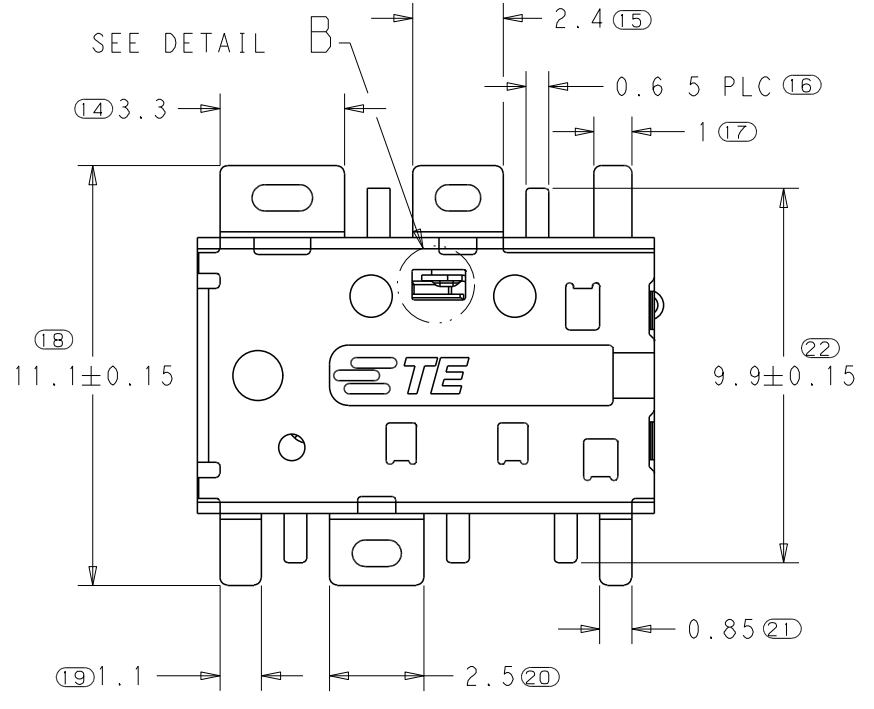
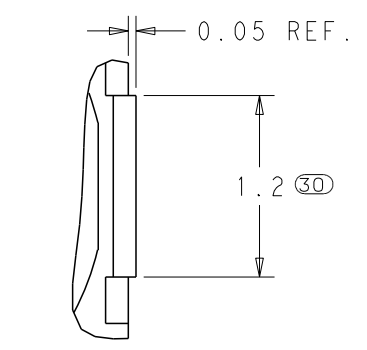
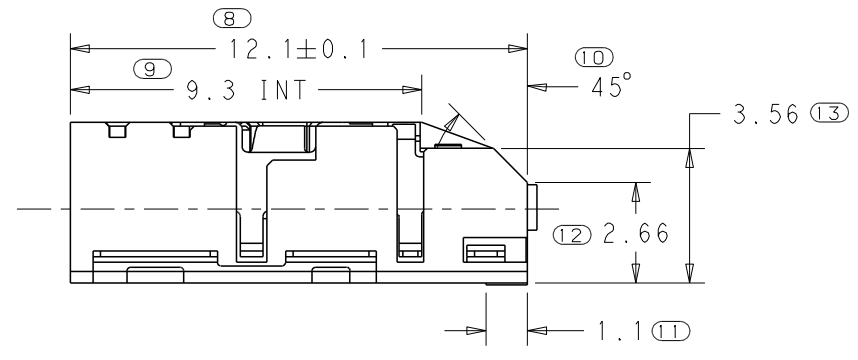
Address: A1208, Overseas Decoration Building, #122 Zhenhua RD., Futian, Shenzhen, China



LOC	DIST	REVISIONS			
P	LTR	DESCRIPTION	DATE	DWN	APVD
ES	00	A	INITIAL RELEASE	19MAY2015	B.L J.L



NOTE:
 1. MATERIAL: PLEASE SEE THE TABLE.
 2. FINISH:
 CONTACT: 0.3um MIN. PdNi AND GOLD FLASH ON CONTACT SURFACE AND GOLD FLASH PLATING ON SOLDERING SUFACE.
 ALL OVER 1.3um MIN. NICKEL UNDERPLATING.
 RETENTION CONTACT NO NEED PLATING.
 FRAME: 1.3um Min TIN PLATING OVER ALL AND 1.3um Min. NICKEL UNDER PLATING.
 3. COPLANARITY: 0.10 MAX. AMONG ALL SOLER TAILS.
 ▲ INDICATED SURFACE TO BE USED AS PICK UP AND DATE CODE MARKING AREA.
 DATE CODE: "A2YWWSL"
 V1=VERSION NO. FOR EXAMPLE: P1, V1, A1
 P=PROTO TOOL; V=PRODUCTION TOOL; A=MASS APPROVED.
 YWWD=PRODUCTION DATE (YEAR, WEEK, DAY)
 S=SHIFT (D=DAY, N=NIGHT); L=LINE NUMBER.
 5. PACKAGING: TAPE & REEL.



2199088-2: AS SHOWN

ITEM	DESCRIPTION	QTY	MATERIAL	FINISH
10	HOUSING	1	THERMOPLASTIC	-
9	SWITCH HOUSING	1	THERMOPLASTIC	-
8	FRAME SHELL	1	STAINLESS STEEL	SEE NOTE
7	RETENTION CONTACT	1	STAINLESS STEEL	SEE NOTE
6	PLUG DET CONTACT	1	COPPER ALLOY	SEE NOTE
5	SWITCH CONTACT	1	COPPER ALLOY	SEE NOTE
4	LEFT AUDIO CONTACT	1	COPPER ALLOY	SEE NOTE
3	RIGHT AUDIO CONTACT	1	COPPER ALLOY	SEE NOTE
2	GND CONTACT	1	COPPER ALLOY	SEE NOTE
1	MIC CONTACT	1	COPPER ALLOY	SEE NOTE

THIS DRAWING IS A CONTROLLED DOCUMENT.

DWN	BILL LV	19MAY2015	TE Connectivity ASSEMBLY FOR 3.5mm Mid-mount AV Connector				
CHK	HAPYE WU	19MAY2015					
APVD	JASON LU	19MAY2015					
PRODUCT SPEC	108-115041-1						
APPLICATION SPEC	-		NAME				
MATERIAL	SEE TABLE		SIZE	CAGE CODE	DRAWING NO	RESTRICTED TO	
FINISH	-		WEIGHT	A300779	C=2199088		
			CUSTOMER DRAWING	SCALE	5:1	SHEET 1 OF 3	REV A

4

3

2

1

THIS DRAWING IS UNPUBLISHED.

RELEASED FOR PUBLICATION

20

© COPYRIGHT 20

TE

ALL RIGHTS RESERVED.

LOC

DIST

REVISIONS

ES

00

P

LTR

DESCRIPTION

DATE

DWN

APVD

CONTACT NO.	DEFINITION	FOOTPRINT
⑥	PLUGDET	g
⑤	SWITCH	f
④	HS EAR L	e
③	HS EAR R	d
①	HS MIC	c
②	HS GND	b

CIRCUIT DIAGRAM
OMTP STANDARD

CONTACT NO.	DEFINITION	FOOTPRINT
⑥	PLUGDET	g
⑤	SWITCH	f
④	HS EAR L	e
③	HS EAR R	d
①	HS GND	c
②	HS MIC	b

CIRCUIT DIAGRAM
AHJ STANDARD

SCALE 5:1

PCB LAYOUT
RECOMMENDED DIMENSION TOLERANCE IS +/-0.05

2.0 REF.

AFTER PLUG FULL MATING

THIS DRAWING IS A CONTROLLED DOCUMENT.

DWN 19MAY2015

BILL LV

CHK 19MAY2015

HAPYE WU

APVD 19MAY2015

JASON LU

PRODUCT SPEC

108-115041-1

APPLICATION SPEC

WEIGHT 0.5087

TE Connectivity

NAME

ASSEMBLY FOR
3.5mm Mid-mount AV Connector

SIZE

CAGE CODE

DRAWING NO

A300779

C=2199088

RESTRICTED TO

DIMENSIONS:

mm

TOLERANCES UNLESS
OTHERWISE SPECIFIED:

0 PLC	±0.2
1 PLC	±0.15
2 PLC	±0.15
3 PLC	±0.05
4 PLC	±0.01
ANGLES	±2

MATERIAL

SEE TABLE

FINISH

-

CUSTOMER DRAWING

SCALE 5:1

SHEET 2 OF 3

REV A

1470-19 (3/11)

4

3

2

1

THIS DRAWING IS UNPUBLISHED.

RELEASED FOR PUBLICATION

20

© COPYRIGHT 20 TE

ALL RIGHTS RESERVED.

LOC	DIST	REVISIONS					
ES	00	P	LTR	DESCRIPTION	DATE	DWN	APVD
				SEE SHEET 1			

SCALE 2:1

➔
USER DIRECTION
OF UNREELING

WITHOUT CHARGE 20PCS REF WITH PRODUCT CHARGE 850PCS WITHOUT CHARGE 20PCS REF

PACKING QUANTITY		
PCS/REEL	REEL/BOX	PCS/BOX
850	10	8500

THIS DRAWING IS A CONTROLLED DOCUMENT.		DWN	19MAY2015	 TE Connectivity	NAME ASSEMBLY FOR 3.5mm Mid-mount AV Connector
		CHK	19MAY2015		
		APVD	19MAY2015		
		PRODUCT SPEC	JASON LU		
DIMENSIONS: mm		TOLERANCES UNLESS OTHERWISE SPECIFIED:		APPLICATION SPEC	
		0 PLC	±0.2	SIZE	
		1 PLC	±0.15	CAGE CODE	
		2 PLC	±0.15	DRAWING NO	
		3 PLC	±0.05	RESTRICTED TO	
		4 PLC	±0.01	A 300779 ©=2199088	
		ANGLES	±2	SCALE 5:1	
MATERIAL SEE TABLE		FINISH	-	SHEET 3 OF 3	
		WEIGHT 0.5087		REV A	
		CUSTOMER DRAWING			

1470-19 (3/11)