



Chipsmall Limited consists of a professional team with an average of over 10 year of expertise in the distribution of electronic components. Based in Hongkong, we have already established firm and mutual-benefit business relationships with customers from,Europe,America and south Asia,supplying obsolete and hard-to-find components to meet their specific needs.

With the principle of “Quality Parts,Customers Priority,Honest Operation,and Considerate Service”,our business mainly focus on the distribution of electronic components. Line cards we deal with include Microchip,ALPS,ROHM,Xilinx,Pulse,ON,Everlight and Freescale. Main products comprise IC,Modules,Potentiometer,IC Socket,Relay,Connector.Our parts cover such applications as commercial,industrial, and automotives areas.

We are looking forward to setting up business relationship with you and hope to provide you with the best service and solution. Let us make a better world for our industry!



Contact us

Tel: +86-755-8981 8866 Fax: +86-755-8427 6832

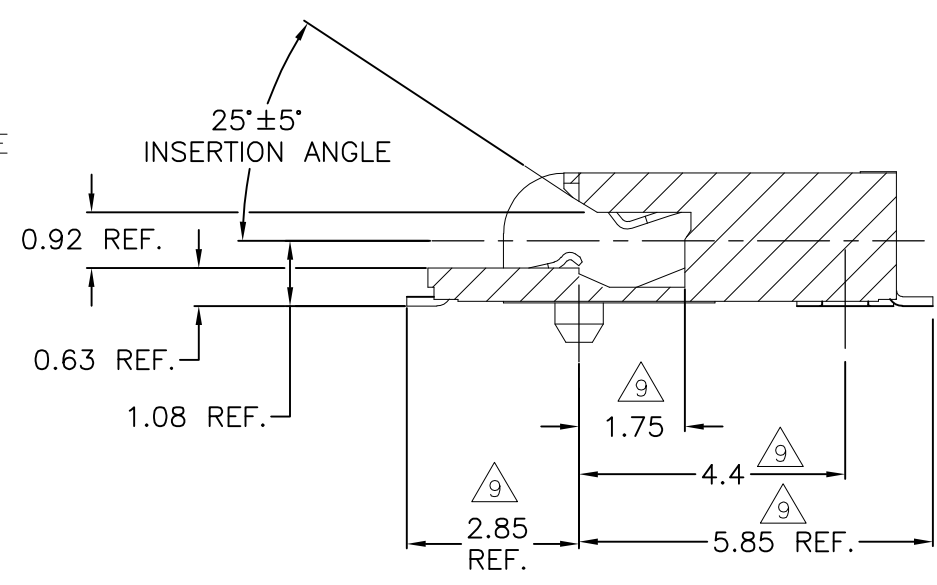
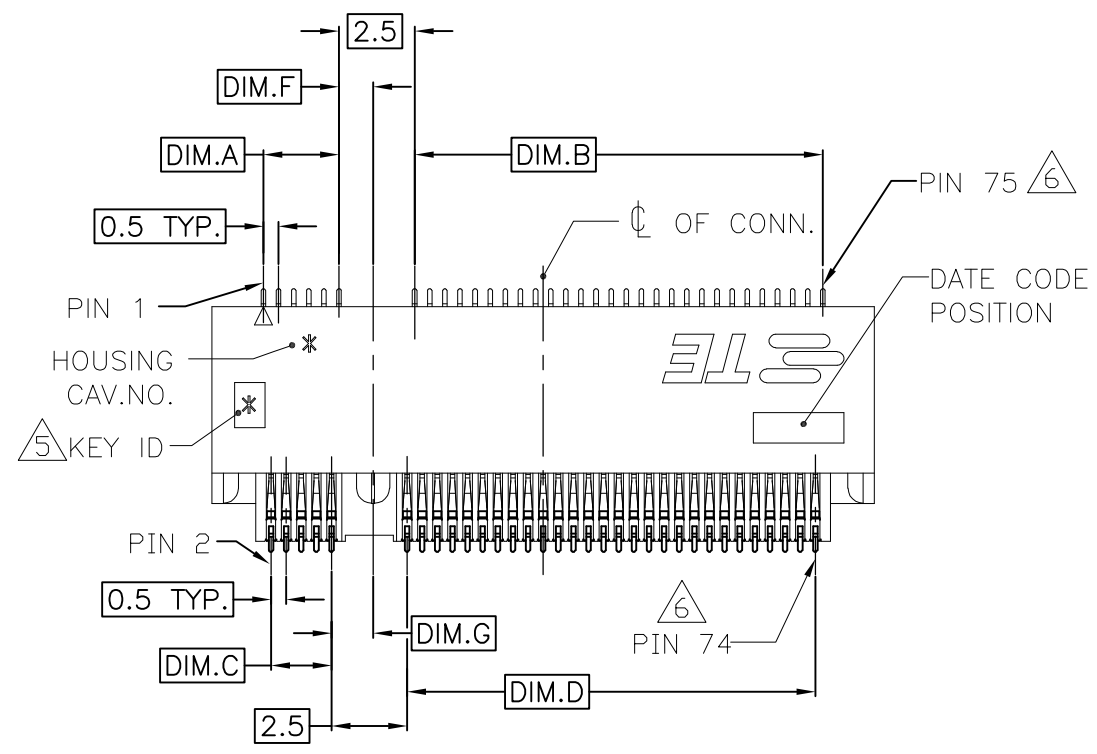
Email & Skype: info@chipsmall.com Web: www.chipsmall.com

Address: A1208, Overseas Decoration Building, #122 Zhenhua RD., Futian, Shenzhen, China

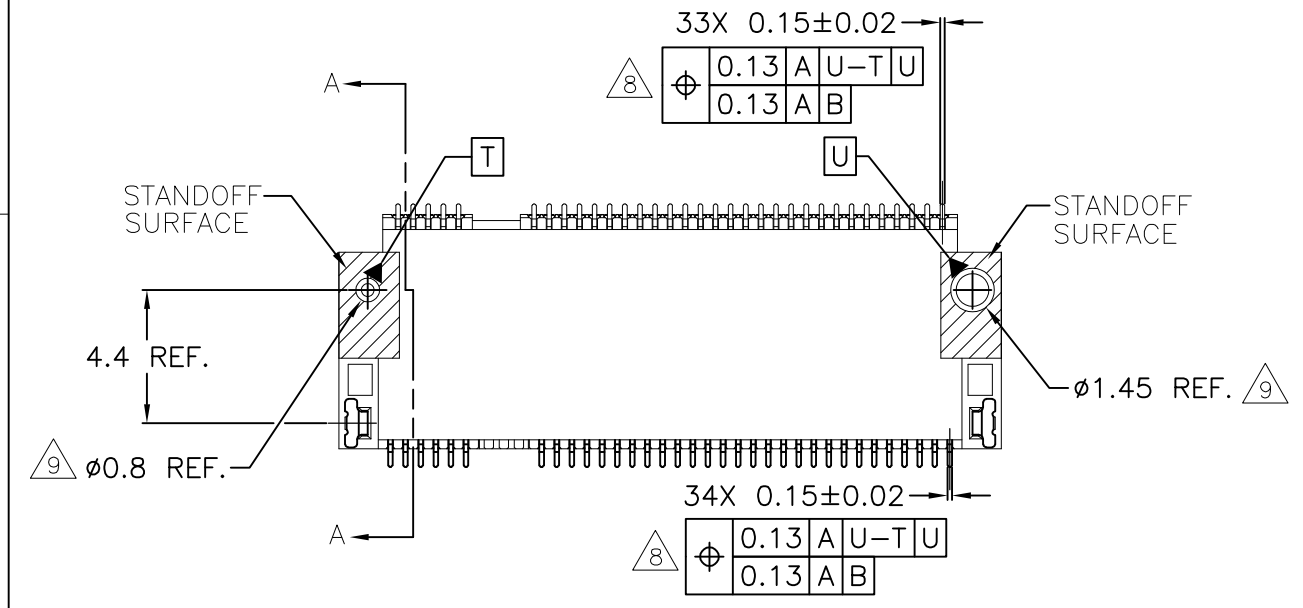
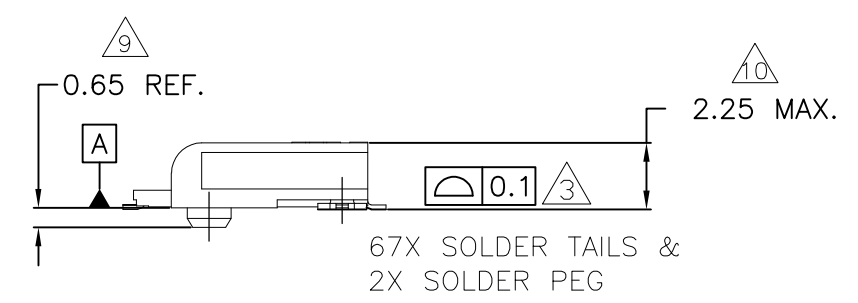
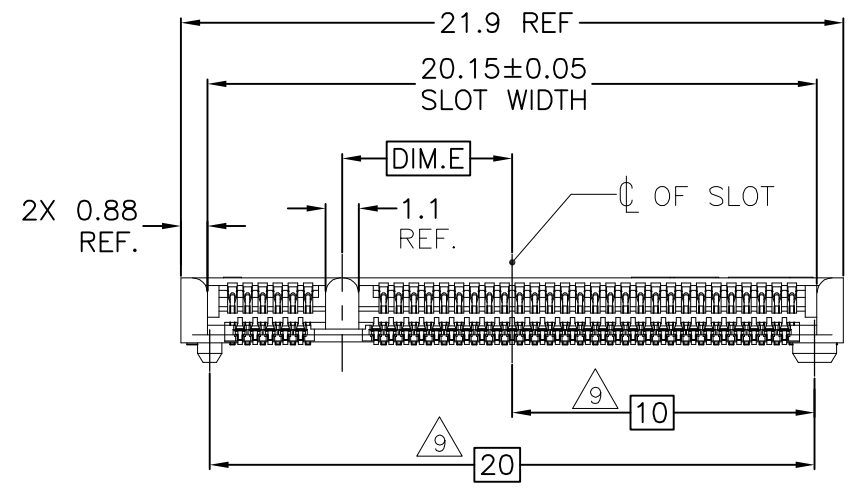


THIS DRAWING IS UNPUBLISHED. RELEASED FOR PUBLICATION
 © COPYRIGHT - By - ALL RIGHTS RESERVED.

LOC	DIST	REVISIONS					
		P	LTR	DESCRIPTION	DATE	DWN	APVD
-	-		A2	REVISED PER PER ECR-14-012058	11AUG2014	S.W	W.H



SECTION A-A
SCALE 8:1



- NOTES:
- MATERIAL:
 - HOUSING : HIGH TEMPERATURE THERMOPLASTIC UL94V-0, COLOR: BLACK.
 - CONTACT: COPPER ALLOY.
 - SOLDER PEG: STAINLESS STEEL.
 - FINISH:
 - CONTACT: UNDERCOAT NICKEL 50u" min. ALL OVER; MATING AREA: GOLD PLATING, THE THICKNESS SEE TABLE LIST; SOLDERABLE AREA: GOLDFLASH.
 - SOLDER PEG: UNDERCOAT: NICKEL 50u" min. ALL OVER SOLDERABLE AREA: MATTE TIN 100u" min.
 - COPLANARITY: 0.10mm MAX.(BEFORE SOLDERING).
 - ACCEPTED MODULE BASED ON INDUSTRY STD MO-XXX (TBD).
 - KEY ID, "*" IS A CAPITAL LETTER PER THE PART NO.
 - THE PIN NO. DEFINITIONS ARE ACCORDING TO PCB FOOTPRINT, THE ACTUAL PIN QUANTITY IS ONLY 67 POS. FOR KEY TAKING OUT 8 POS.
 - THE PRODUCT IS RoHS COMPLIANT, BR 900PPM MAX., CL 900PPM MAX. BR+CL 1500 PPM MAX.
 - FOR BOSS TYPE, THE CONTACT TP'S DATUM IS U FOR BOLESS TYPE, THE CONTACT TP'S DATUM IS B.
 - IGNORE THE DIM. FOR BOSSLSS TYPE.
 - LOCAL DIM. NOT INCLUDING THE WARPAGE IMPACT.

THIS DRAWING IS A CONTROLLED DOCUMENT.		DWN	SIMON WU		14FEB2012	STE TE Connectivity
		CHK	SIMON LI		14FEB2012	
		APVD	COREL WANG		14FEB2012	NAME
		PRODUCT SPEC			M.2(NGFF) MINI CARD MOUNTING TYPE	
		APPLICATION SPEC			0.50mm PITCH 67 POS. 2.25mm HEIGHT	
		114-115006			FOR SINGLE SIDED MODULE	
		WEIGHT	0.38 G		SIZE	A3
		CUSTOMER DRAWING			CAGE CODE	00779
					DRAWING NO	C-2199125
					RESTRICTED TO	-
					SCALE	4:1
					SHEET	1 OF 4
					REV	A2

THIS DRAWING IS UNPUBLISHED. RELEASED FOR PUBLICATION
 © COPYRIGHT - By - ALL RIGHTS RESERVED.

LOC	DIST	REVISIONS					
		P	LTR	DESCRIPTION	DATE	DWN	APVD
-	-	-	-	SEE SHEET 1	-	-	-

NOTE: (APPLIED ONLY ON THIS SHEET)
 1. MINUS DATA OF KEY E MEANS THE CENTERLINE OF KEY IS ON THE RIGHT SIDE IN PAGE 1.

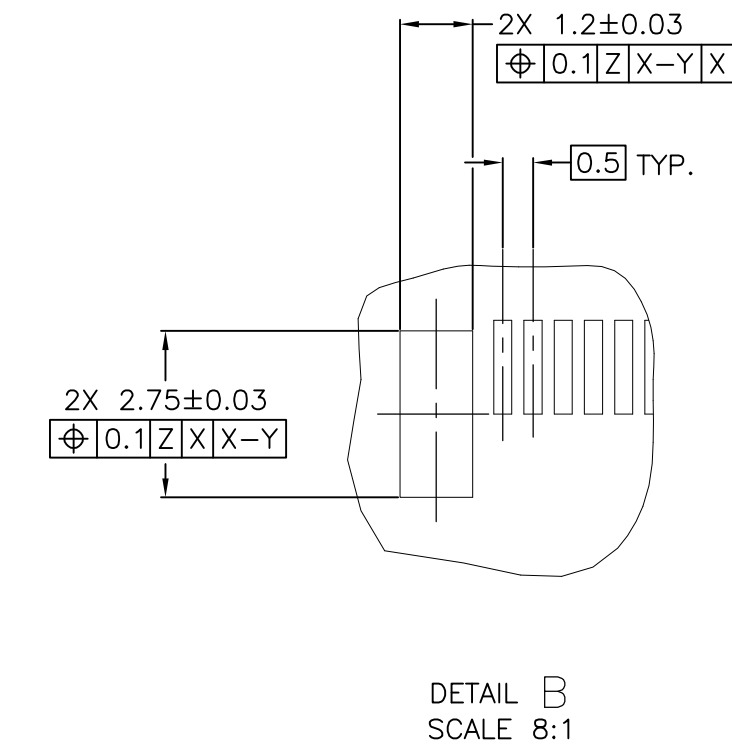
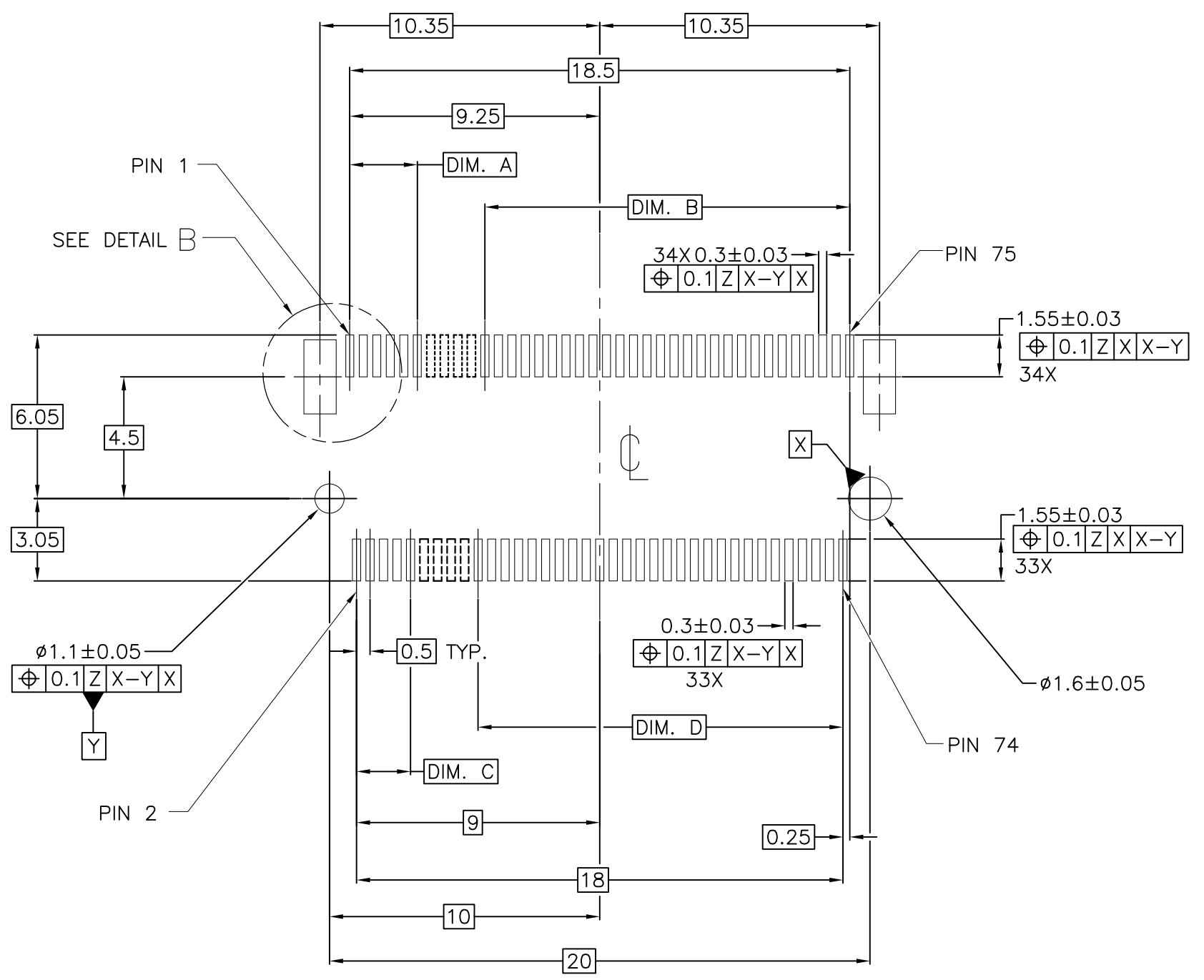
TOOLING STATUS	KEY ID.	PRODUCT SPEC.	BOSS TYPE	GOLD SPEC.	DIM. G	DIM. F	DIM. E	DIM. D	DIM. C	DIM. B	DIM. A	PART NO.					
AVAILABLE	M	108-115042	WITH BOSS	10u" MIN.	1.125	1.375	-6.125	1.5	14.0	2.0	14.0	1-2199125-9					
	E				1.375	1.125	2.625	10.5	5.0	10.5	5.5	1-2199125-8					
	B				1.375	1.125	5.625	13.5	2.0	13.5	2.5	1-2199125-7					
	A				1.375	1.125	6.625	14.5	1.0	14.5	1.5	1-2199125-6					
AVAILABLE	M	108-115042	WITH BOSS	30u" MIN.	1.125	1.375	-6.125	1.5	14.0	2.0	14.0	1-2199125-5					
		108-115049		15u" MIN.								1-2199125-4					
				GOLD FLASH								1-2199125-3					
NOT AVAILABLE	E	108-115042	BOSSLESS	30u" MIN.	1.375	1.125	2.625	10.5	5.0	10.5	5.5	1-2199125-2					
		108-115049		15u" MIN.								1-2199125-1					
				GOLD FLASH								1-2199125-0					
AVAILABLE	A	108-115042	WITH BOSS	30u" MIN.	1.375	1.125	6.625	14.5	1.0	14.5	1.5	2199125-9					
		108-115049		15u" MIN.								2199125-8					
				GOLD FLASH								2199125-7					
	E	108-115042		30u" MIN.								2.625	10.5	5.0	10.5	5.5	2199125-6
				B								5.625	13.5	2.0	13.5	2.5	2199125-5
				E								2.625	10.5	5.0	10.5	5.5	2199125-4
	B	108-115042		15u" MIN.								5.625	13.5	2.0	13.5	2.5	2199125-3
				E								2.625	10.5	5.0	10.5	5.5	2199125-2
	B	108-115049		GOLD FLASH								5.625	13.5	2.0	13.5	2.5	2199125-1
												E					



THIS DRAWING IS A CONTROLLED DOCUMENT.		DWN SIMON WU 14FEB2012	TE Connectivity	
		CHK SIMON LI 14FEB2012		
DIMENSIONS: mm 		APVD COREL WANG 14FEB2012	NAME M.2(NGFF) MINI CARD MOUNTING TYPE 0.50mm PITCH 67 POS. 2.25mm HEIGHT FOR SINGLE SIDED MODULE	
TOLERANCES UNLESS OTHERWISE SPECIFIED: 0 PLC ± 0.30 1 PLC ± 0.30 2 PLC ± 0.20 3 PLC ± 0.10 4 PLC ± - ANGLES ± 3°		PRODUCT SPEC	SIZE A3	
MATERIAL		APPLICATION SPEC	CAGE CODE 00779	DRAWING NO C-2199125
FINISH		WEIGHT	RESTRICTED TO	
		CUSTOMER DRAWING		SCALE 4:1
				SHEET 2 OF 4
				REV A2


THIS DRAWING IS UNPUBLISHED. RELEASED FOR PUBLICATION
 © COPYRIGHT - By - ALL RIGHTS RESERVED.

LOC	DIST	REVISIONS			
P	LTR	DESCRIPTION	DATE	DWN	APVD
-	-	SEE SHEET 1	-	-	-



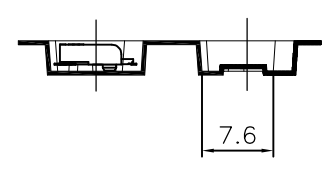
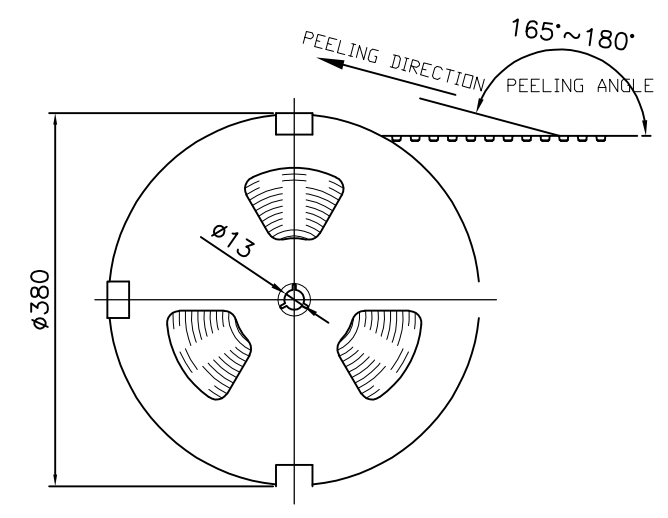
RECOMMENDED NGFF MINI CARD MOUNTING TYPE_SMT_PCB OUTLINE
 DATUM Z: PCB SOLDER SURFACE

M	1.5	14.0	2.0	14.0
E	10.5	5.0	10.5	5.5
B	13.5	2.0	13.5	2.5
A	14.5	1.0	14.5	1.5
KEY ID.	DIM. D	DIM. C	DIM. B	DIM. A

THIS DRAWING IS A CONTROLLED DOCUMENT.		DWN SIMON_WU 14FEB2012	 TE Connectivity NAME M.2(NGFF) MINI CARD MOUNTING TYPE 0.50mm PITCH 67 POS. 2.25mm HEIGHT FOR SINGLE SIDED MODULE	
DIMENSIONS: mm		CHK SIMON_LI 14FEB2012		
TOLERANCES UNLESS OTHERWISE SPECIFIED:		APVD COREL_WANG 14FEB2012		
0 PLC ± 0.30 1 PLC ± 0.30 2 PLC ± 0.20 3 PLC ± 0.10 4 PLC ± - ANGLES ± 3°		PRODUCT SPEC		
MATERIAL		FINISH	APPLICATION SPEC	SIZE A3
			WEIGHT	CAGE CODE 00779
CUSTOMER DRAWING			RESTRICTED TO	DRAWING NO C-2199125
			SCALE 5:1	SHEET 3 OF 4
			REV A2	

THIS DRAWING IS UNPUBLISHED. RELEASED FOR PUBLICATION
 © COPYRIGHT - By - ALL RIGHTS RESERVED.

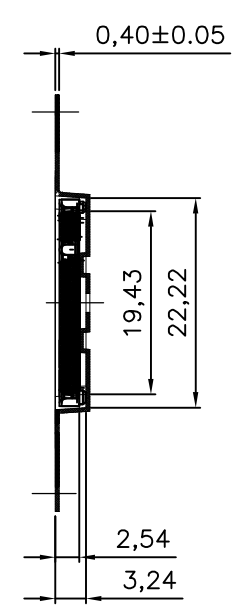
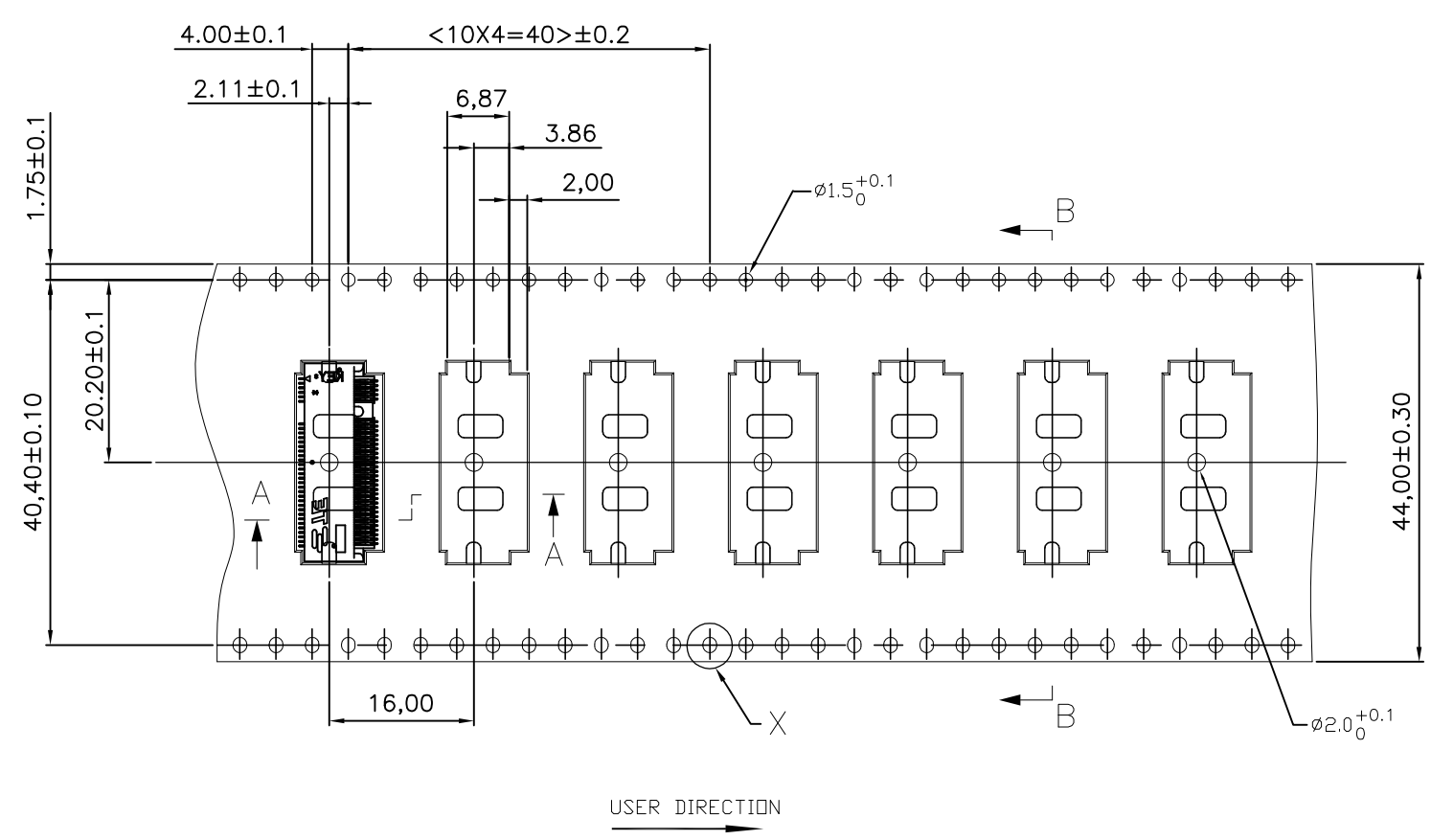
LOC	DIST	REVISIONS					
		P	LTR	DESCRIPTION	DATE	DWN	APVD
-	-	-	-	SEE SHEET 1	-	-	-



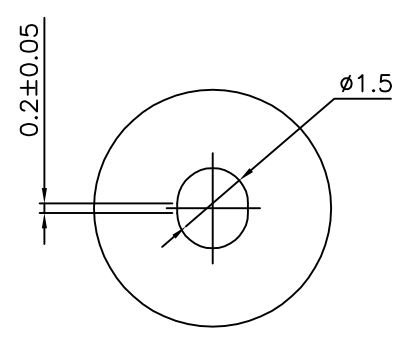
SECTION A-A

NOTES: (APPLIED TO CURRENT SHEET)

1. THE DIRECTION OF EACH CONNECTOR ON A EMBOSS IS REFERRED TO THIS DRAWING.
2. GENERAL TOLERANCE: ± 0.5 , $\pm 3^{\circ}$
3. PACKAGED IN EMBOSS TAPE AND PLASTIC REEL 1500PCS PER REEL.



SECTION B-B



VIEW X
$\times 5$

THIS DRAWING IS A CONTROLLED DOCUMENT.		DWN SIMON WU 14FEB2012				
DIMENSIONS: mm		CHK SIMON LI 14FEB2012				
TOLERANCES UNLESS OTHERWISE SPECIFIED:		APVD COREL WANG 14FEB2012	NAME			
0 PLC ± 0.30 1 PLC ± 0.30 2 PLC ± 0.20 3 PLC ± 0.10 4 PLC $\pm -$ ANGLES $\pm 3^{\circ}$		PRODUCT SPEC	M.2(NGFF) MINI CARD MOUNTING TYPE 0.50mm PITCH 67 POS. 2.25mm HEIGHT FOR SINGLE SIDED MODULE			
MATERIAL		FINISH	SIZE	CAGE CODE	DRAWING NO	RESTRICTED TO
-		-	A3	00779	C-2199125	-
CUSTOMER DRAWING			SCALE	SHEET	REV	
			N/A	4 of 4	A2	