



Chipsmall Limited consists of a professional team with an average of over 10 year of expertise in the distribution of electronic components. Based in Hongkong, we have already established firm and mutual-benefit business relationships with customers from,Europe,America and south Asia,supplying obsolete and hard-to-find components to meet their specific needs.

With the principle of “Quality Parts,Customers Priority,Honest Operation,and Considerate Service”,our business mainly focus on the distribution of electronic components. Line cards we deal with include Microchip,ALPS,ROHM,Xilinx,Pulse,ON,Everlight and Freescale. Main products comprise IC,Modules,Potentiometer,IC Socket,Relay,Connector.Our parts cover such applications as commercial,industrial, and automotives areas.

We are looking forward to setting up business relationship with you and hope to provide you with the best service and solution. Let us make a better world for our industry!



Contact us

Tel: +86-755-8981 8866 Fax: +86-755-8427 6832

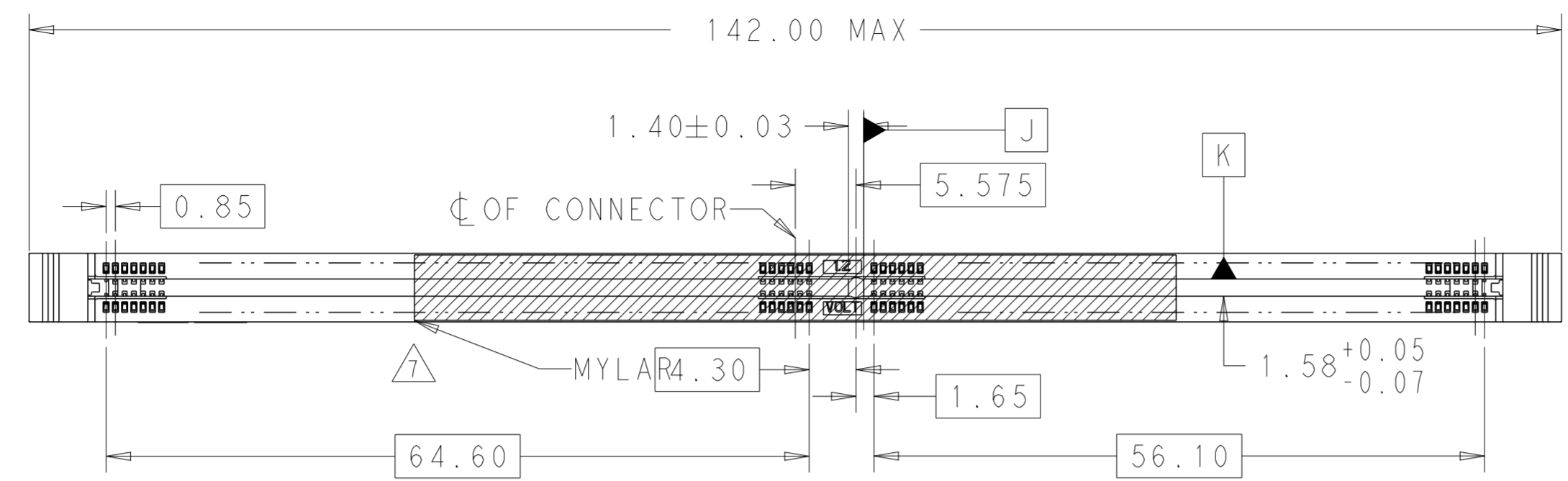
Email & Skype: info@chipsmall.com Web: www.chipsmall.com

Address: A1208, Overseas Decoration Building, #122 Zhenhua RD., Futian, Shenzhen, China

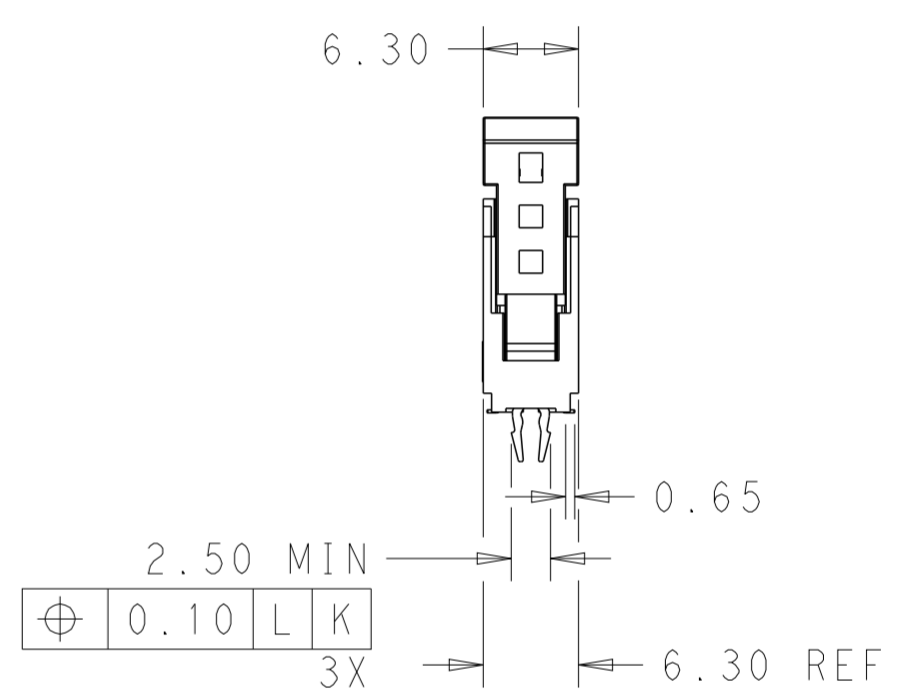
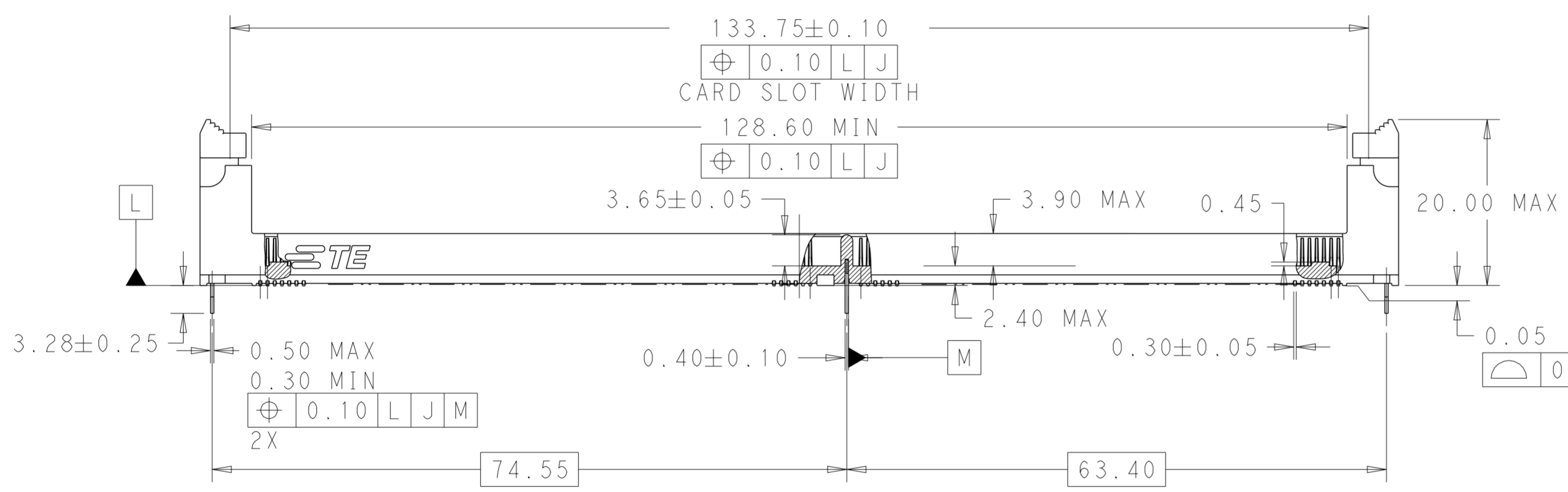


THIS DRAWING IS UNPUBLISHED. RELEASED FOR PUBLICATION 20
 © COPYRIGHT 20 TE CONNECTIVITY ALL RIGHTS RESERVED.

LOC		DIST		REVISIONS			
P	LTR	DESCRIPTION	DATE	DWN	APVD		
33	REVISED		19APR2018	D.Z	S.L		



STANDARD TYPE

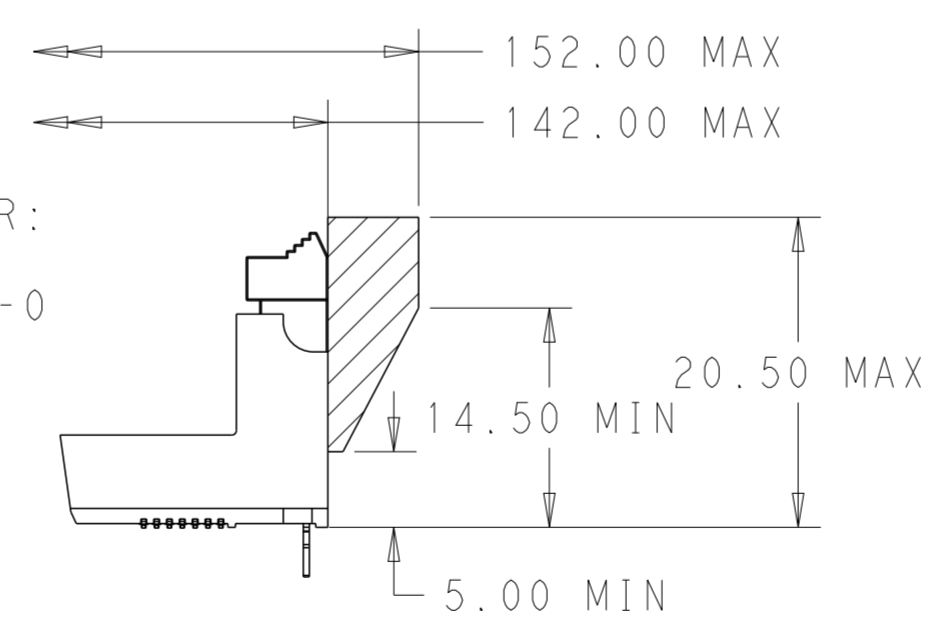


1 MATERIALS:
 HOUSING: HIGH TEMPERATURE NYLON, UL94 V-0, COLOR: BLACK
 EXTRACTOR: HIGH TEMPERATURE THERMOPLASTIC, UL94 V-0
 CONTACTS: COPPER ALLOY
 RETENTION BARB: STAINLESS STEEL

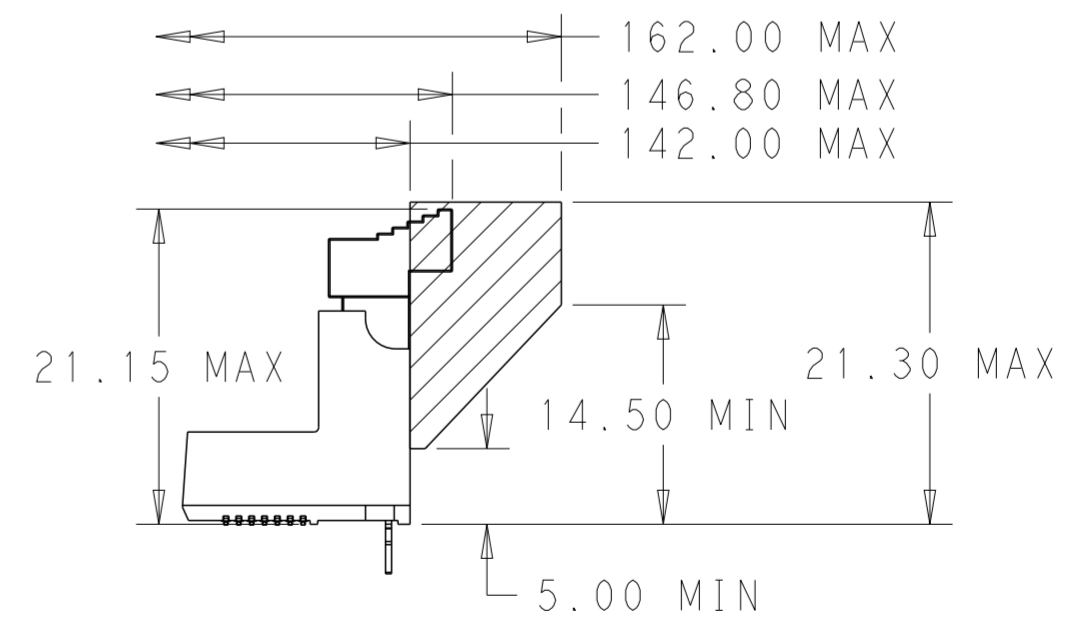
2 INTERFACE FINISH:
 (1) 0.00076 MIN THK GOLD OVER 0.00127 MIN THK NICKEL.
 (2) 0.00038 MIN THK GOLD OVER 0.00127 MIN THK NICKEL.
 (3) 0.00050 MIN THK GOLD OVER 0.00228 MIN THK NICKEL.

3 SOLDER TAIL FINISH:
 0.00300 MIN THK MATTE TIN OVER 0.00127 MIN THK NICKEL.

4 KEEP OUT ZONE.
 5 KEEP OUT AREA RESERVED FOR SOCKET EXTRACTORS, BOTH ENDS.
 6 DATUM Z IS CONNECTOR SIDE SURFACE OF PCB.
 7 MYLAR WITH SIZE 70 X 6 IS LOCATED IN THE CENTER OF CONNECTOR.



SHORT LATCH TYPE

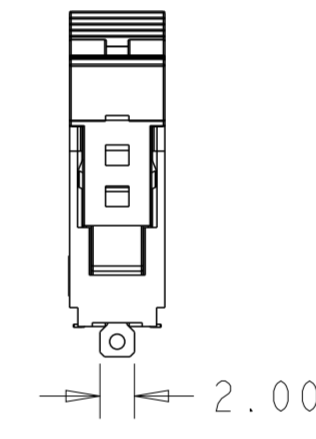
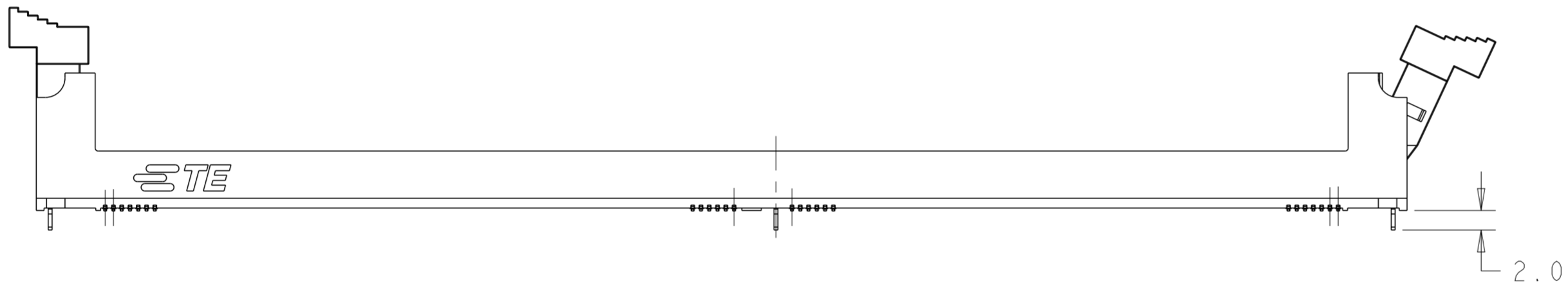
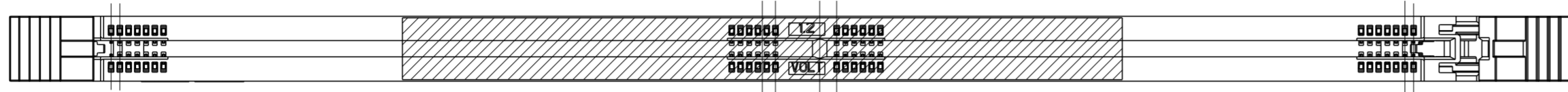


LONG LATCH TYPE

THIS DRAWING IS A CONTROLLED DOCUMENT.		DWN RICHARD MA 18MAR2013	TE Connectivity	
DIMENSIONS: mm		CHK SIMON LI 18MAR2013		
TOLERANCES UNLESS OTHERWISE SPECIFIED:		APVD COREI WANG 18MAR2013	NAME SOCKET ASSEMBLY DDR4 DIMM, SMT TYPE 288 POSITION	
0 PLC ±		PRODUCT SPEC -	SIZE A2	CAGE CODE 00779
1 PLC ±0.25		APPLICATION SPEC -	DRAWING NO C-2199155	RESTRICTED TO -
2 PLC ±0.15		WEIGHT -	SCALE 1:1	SHEET 1 OF 7
3 PLC ±0.10		CUSTOMER DRAWING	REV 33	
4 PLC ±				
ANGLES ±				
FINISH				


THIS DRAWING IS UNPUBLISHED. RELEASED FOR PUBLICATION 20
 © COPYRIGHT 20 TE CONNECTIVITY ALL RIGHTS RESERVED.

LOC		DIST		REVISIONS			
P	LTR	DESCRIPTION	DATE	DWN	APVD		
-	-	SEE SHEET 1	-	-	-		



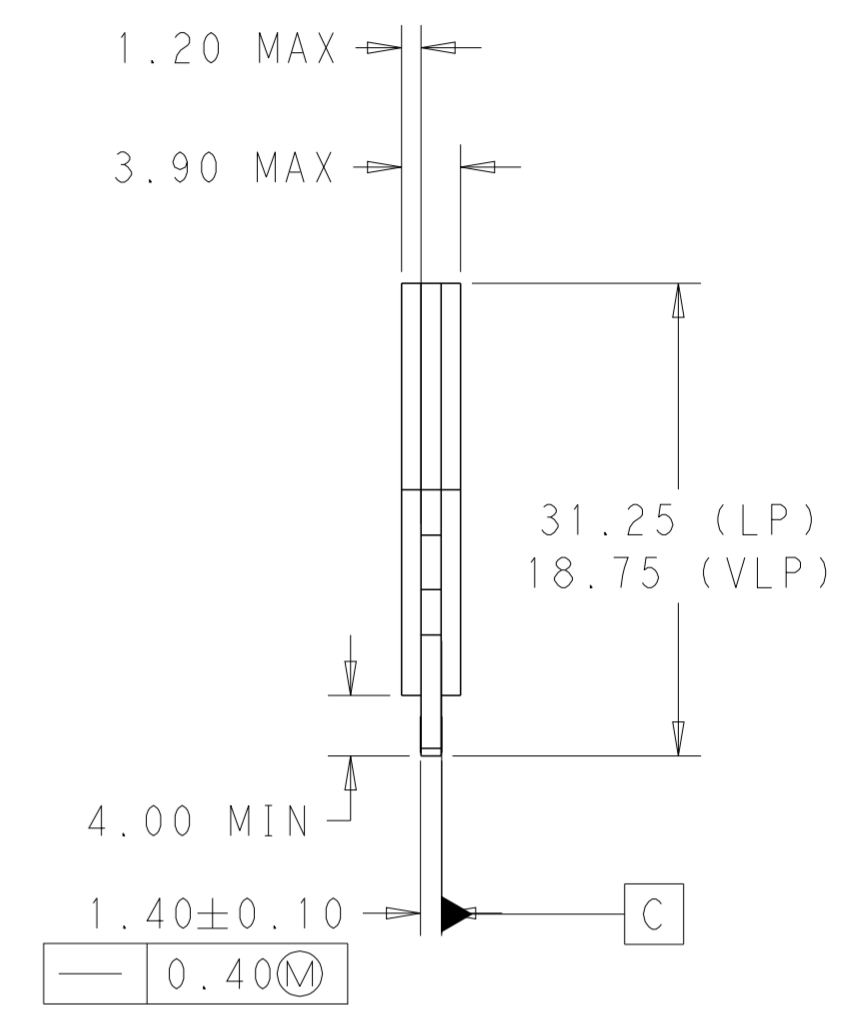
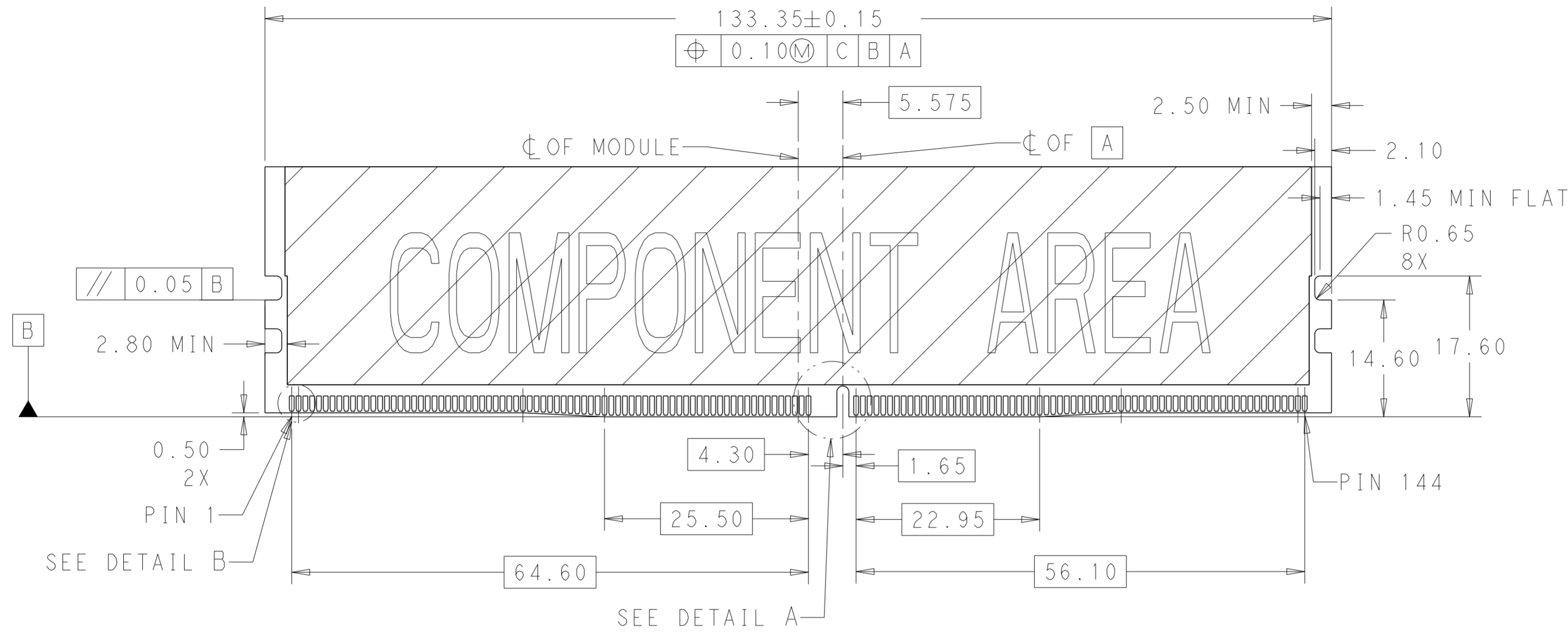
UNSPECIFIED DIMENSIONS, REFER TO SHEET 1

THREE TABS TYPE

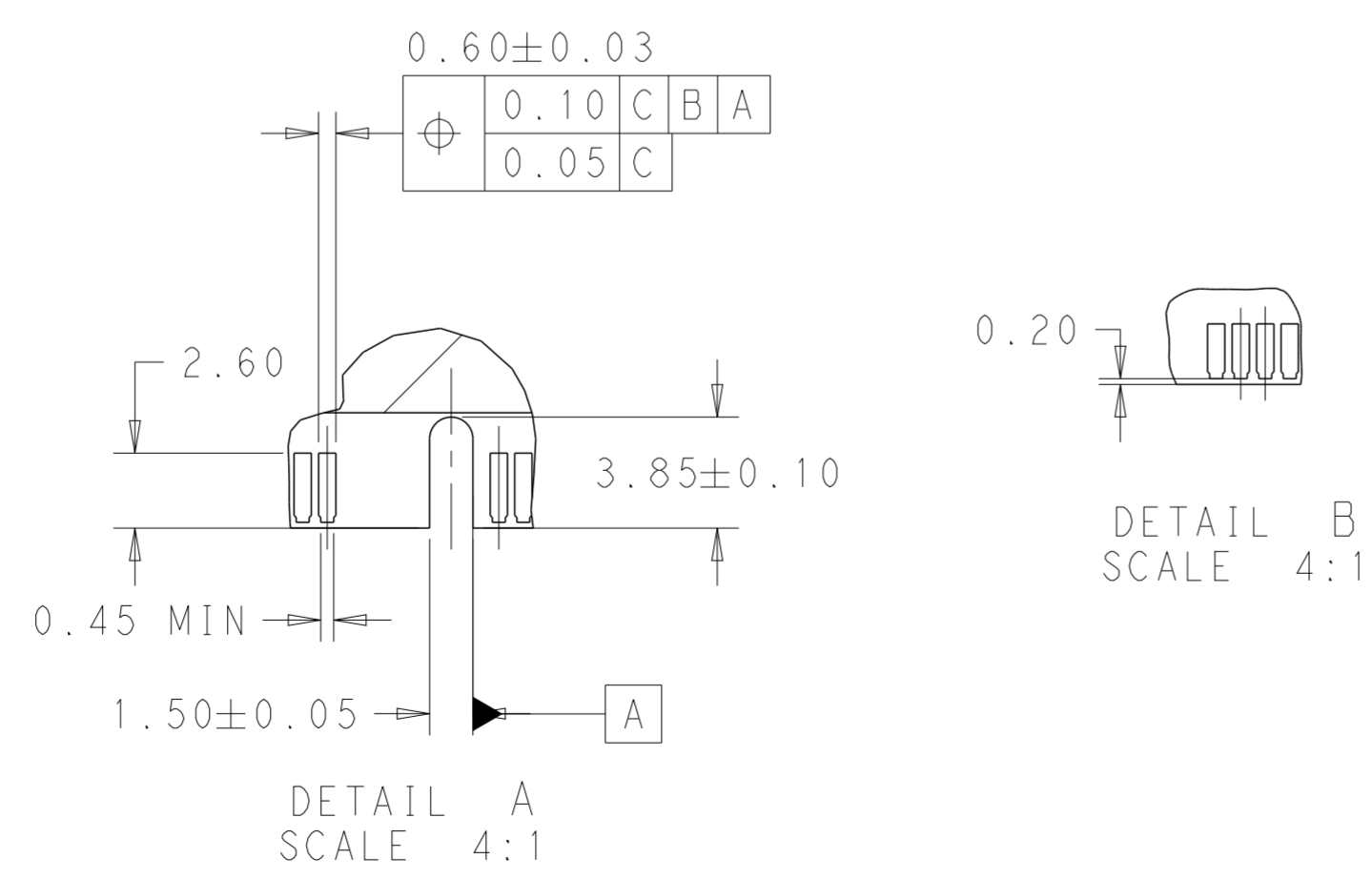
THIS DRAWING IS A CONTROLLED DOCUMENT.		DWN RICHARD MA 18MAR2013	 TE Connectivity	
DIMENSIONS: mm		CHK SIMON LI 18MAR2013		
TOLERANCES UNLESS OTHERWISE SPECIFIED:		APVD COREI WANG 18MAR2013	NAME SOCKET ASSEMBLY DDR4 DIMM, SMT TYPE 288 POSITION	
0 PLC ± 1 PLC ±0.25 2 PLC ±0.15 3 PLC ±0.10 4 PLC ± ANGLES ± FINISH		PRODUCT SPEC -	SIZE A200779	DRAWING NO C-2199155
MATERIAL -		APPLICATION SPEC -	RESTRICTED TO -	SCALE 1:1
-		WEIGHT -	SHEET 2 OF 7	REV 33
-		CUSTOMER DRAWING		

THIS DRAWING IS UNPUBLISHED. RELEASED FOR PUBLICATION 20
 © COPYRIGHT 20 TE CONNECTIVITY ALL RIGHTS RESERVED.

LOC		DIST		REVISIONS			
P	LTR	DESCRIPTION	DATE	DWN	APVD		
-	-	SEE SHEET 1	-	-	-		



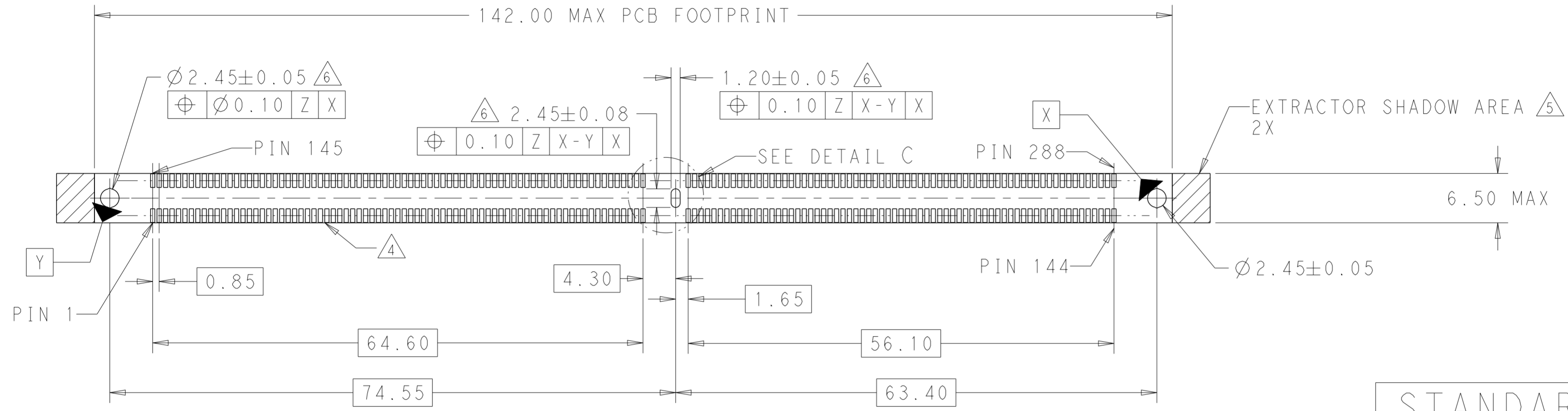
RECOMMENDED MODULE LAYOUT



THIS DRAWING IS A CONTROLLED DOCUMENT.		DWN RICHARD MA 18MAR2013	TE Connectivity	
DIMENSIONS: mm		CHK SIMON LI 18MAR2013		
TOLERANCES UNLESS OTHERWISE SPECIFIED:		APVD COREI WANG 18MAR2013	NAME SOCKET ASSEMBLY DDR4 DIMM, SMT TYPE 288 POSITION	
0 PLC ± 1 PLC ±0.25 2 PLC ±0.15 3 PLC ±0.10 4 PLC ±		PRODUCT SPEC	SIZE CAGE CODE DRAWING NO RESTRICTED TO	
MATERIAL		APPLICATION SPEC	A200779 C-2199155	
FINISH		WEIGHT	SCALE 1:1 SHEET 3 OF 7 REV 33	
		CUSTOMER DRAWING		

THIS DRAWING IS UNPUBLISHED. RELEASED FOR PUBLICATION 20
 © COPYRIGHT 20 TE CONNECTIVITY ALL RIGHTS RESERVED.

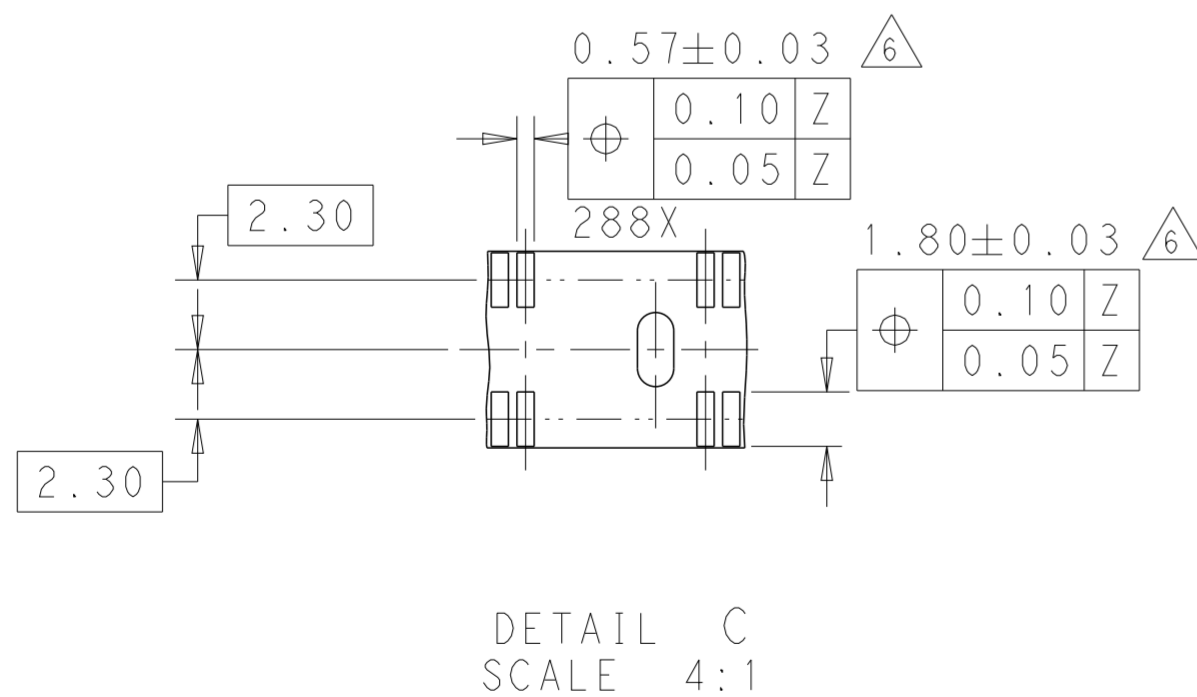
LOC		DIST		REVISIONS			
P	LTR	DESCRIPTION	DATE	DWN	APVD		
-	-	SEE SHEET 1	-	-	-		



RECOMMENDED PCB LAYOUT
 VIEWED FROM CONNECTOR SIDE

STANDARD TYPE

FOR SHORT LATCH TYPE, LATCH OPEN LENGTH IS 152MM;
 FOR LONG LATCH TYPE, LATCH OPEN LENGTH IS 162MM.



NO MYLAR	LATCH STYLE	HOUSING STYLE	LATCH COLOR	HOUSING COLOR	CONTACT GOLD INTERFACE	PART NUMBER
	LONG LATCH	BOARD LOCK	BLUE(2935U)	BLUE(2935U)	0.00076 MIN	7-2199155-5
	LONG LATCH	BOARD LOCK	BLACK	BLACK	0.00076 MIN	7-2199155-8
MYLAR	LONG LATCH	BOARD LOCK	BLACK	BLACK	0.00038 MIN	9-2199155-0
	LONG LATCH	BOARD LOCK	NATURAL	NATURAL	0.00038 MIN	8-2199155-4
	LONG LATCH	BOARD LOCK	BLUE(2935U)	BLUE(2935U)	0.00038 MIN	8-2199155-3
	SHORT LATCH	BOARD LOCK	GREEN(375C)	BLACK	0.00050 MIN	8-2199155-1
	SHORT LATCH	BOARD LOCK	BLACK	BLACK	0.00050 MIN	5-2199155-2
	SHORT LATCH	BOARD LOCK	NATURAL	BLACK	0.00050 MIN	5-2199155-1
	SHORT LATCH	BOARD LOCK	GREEN(375C)	BLACK	0.00076 MIN	2199155-7
	SHORT LATCH	BOARD LOCK	NATURAL	NATURAL	0.00076 MIN	2199155-6
	SHORT LATCH	BOARD LOCK	BLACK	BLACK	0.00076 MIN	2199155-4
	SHORT LATCH	BOARD LOCK	BLACK	BLACK	0.00038 MIN	2199155-3
	SHORT LATCH	BOARD LOCK	NATURAL	BLACK	0.00076 MIN	2199155-2
	SHORT LATCH	BOARD LOCK	NATURAL	BLACK	0.00038 MIN	2199155-1

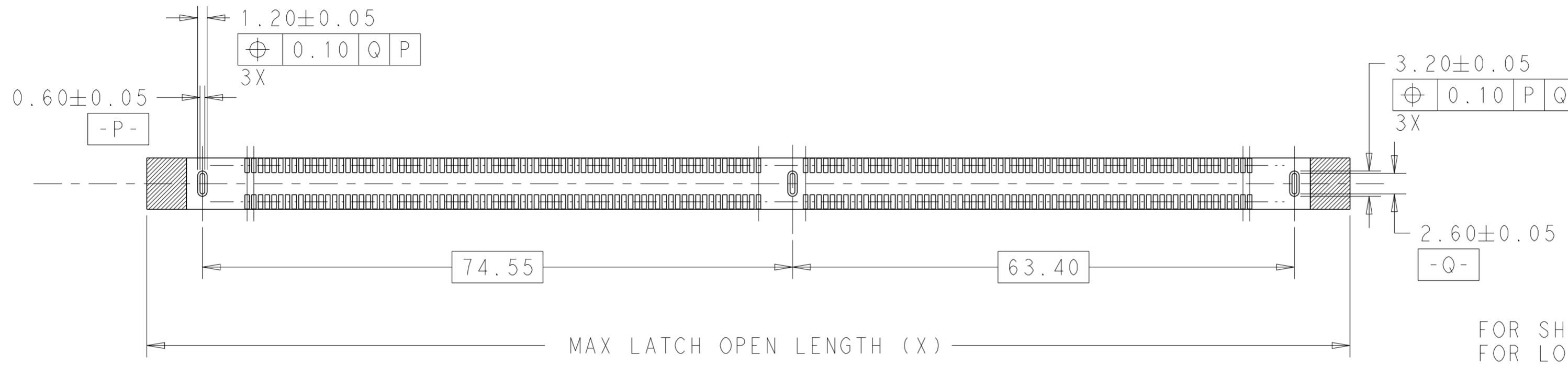
THIS DRAWING IS A CONTROLLED DOCUMENT.

DIMENSIONS: mm	TOLERANCES UNLESS OTHERWISE SPECIFIED: 0 PLC ± 1 PLC ±0.25 2 PLC ±0.15 3 PLC ±0.10 4 PLC ±	DWN RICHARD MA 18MAR2013 CHK SIMON LI 18MAR2013 APVD COREI WANG 18MAR2013	NAME SOCKET ASSEMBLY DDR4 DIMM,SMT TYPE 288 POSITION
MATERIAL	FINISH	PRODUCT SPEC APPLICATION SPEC WEIGHT	SIZE A2 CAGE CODE 00779 DRAWING NO C-2199155 RESTRICTED TO
CUSTOMER DRAWING		SCALE 1:1	SHEET 4 OF 7 REV 33

STE TE Connectivity

THIS DRAWING IS UNPUBLISHED. RELEASED FOR PUBLICATION 20
 © COPYRIGHT 20 TE CONNECTIVITY ALL RIGHTS RESERVED.

LOC		DIST		REVISIONS			
P	LTR	DESCRIPTION	DATE	DWN	APVD		
-	-	SEE SHEET 1	-	-	-		



RECOMMENDED PCB LAYOUT

VIEWED FROM CONNECTOR SIDE

UNSPECIFIED DIMENSIONS, REFER TO SHEET 4

THREE TABS TYPE

NO MYLAR	LONG LATCH	2.00	TAB	NATURAL	BLUE(2935U)	0.00038 MIN	8-2199155-9
	LONG LATCH	2.00	TAB	NATURAL	BLACK	0.00038 MIN	8-2199155-8
MYLAR	LONG LATCH	2.00	TAB	NATURAL	BLUE(2935U)	0.00076 MIN	8-2199155-5
	LONG LATCH	2.00	TAB	BLACK	BLACK	0.00076 MIN	9-2199155-9
	LONG LATCH	2.00	TAB	NATURAL	BLACK	0.00076 MIN	9-2199155-6
	LONG LATCH	2.00	TAB	NATURAL	YELLOW(107C)	0.00038 MIN	9-2199155-5
	LONG LATCH	2.00	TAB	NATURAL	BLACK	0.00038 MIN	9-2199155-4
	SHORT LATCH	2.00	TAB	NATURAL	YELLOW(107C)	0.00038 MIN	9-2199155-3
	SHORT LATCH	2.00	TAB	NATURAL	BLACK	0.00076 MIN	9-2199155-2
	SHORT LATCH	2.00	TAB	NATURAL	BLACK	0.00038 MIN	9-2199155-1
PICK UP STYLE	LATCH STYLE	TAB WIDTH DIM A	HOUSING STYLE	LATCH COLOR	HOUSING COLOR	CONTACT GOLD INTERFACE	PART NUMBER

THIS DRAWING IS A CONTROLLED DOCUMENT.

DWN	18MAR2013	RICHARD MA
CHK	18MAR2013	SIMON LI
APVD	18MAR2013	COREI WANG

TE Connectivity

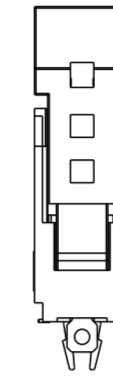
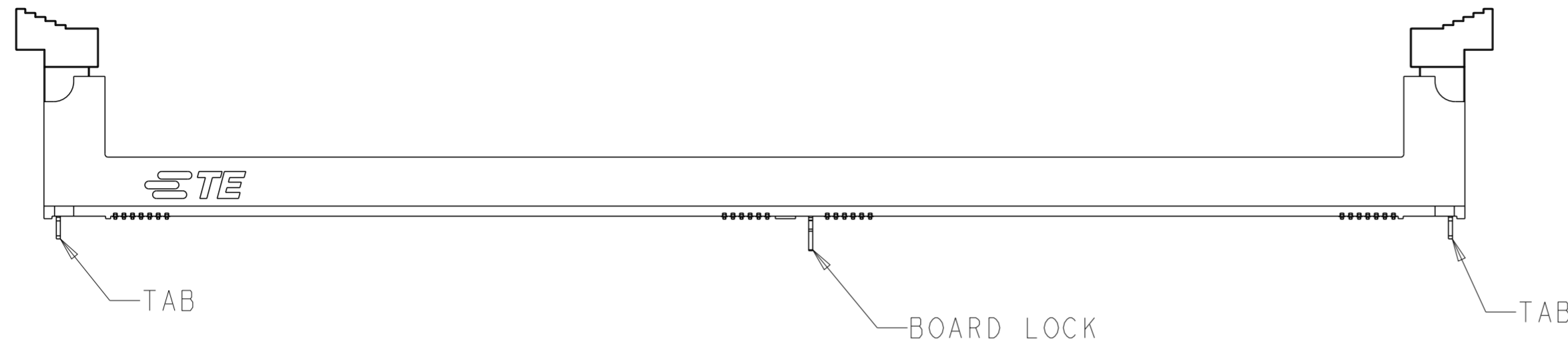
SOCKET ASSEMBLY
DDR4 DIMM,SMT TYPE
288 POSITION

SIZE	CAGE CODE	DRAWING NO	RESTRICTED TO
A2	00779	C-2199155	-

CUSTOMER DRAWING SCALE 1:1 SHEET 5 OF 7 REV 33

THIS DRAWING IS UNPUBLISHED. RELEASED FOR PUBLICATION 20
 © COPYRIGHT 20 TE CONNECTIVITY ALL RIGHTS RESERVED.

LOC	DIST	REVISIONS			
P	LTR	DESCRIPTION	DATE	DWN	APVD
-	-	SEE SHEET 1	-	-	-



FOR SHORT LATCH TYPE, X IS 152MM;
 FOR LONG LATCH TYPE, X IS 162MM.

RECOMMENDED PCB LAYOUT

VIEWED FROM CONNECTOR SIDE

UNSPECIFIED DIMENSIONS, REFER TO SHEET 4

SIDE TABS TYPE

MYLAR	LONG LATCH	2TABS+1BOARDLOCK	NATURAL	NATURAL	0.00038 MIN	7-2199155-7
	LONG LATCH	2TABS+1BOARDLOCK	BLACK	BLACK	0.00038 MIN	7-2199155-6
PICK UP STYLE	LATCH STYLE	HOUSING STYLE	LATCH COLOR	HOUSING COLOR	CONTACT GOLD INTERFACE Δ	PART NUMBER

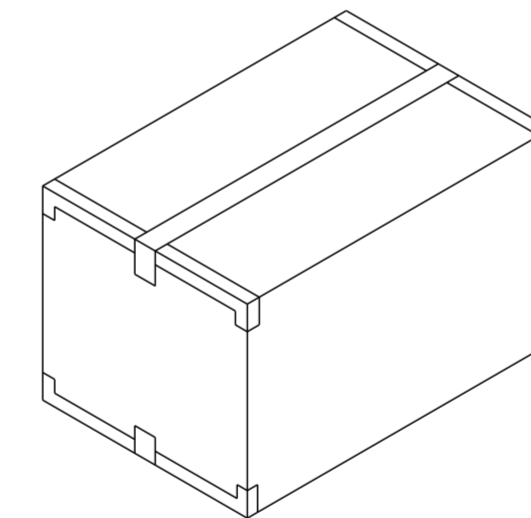
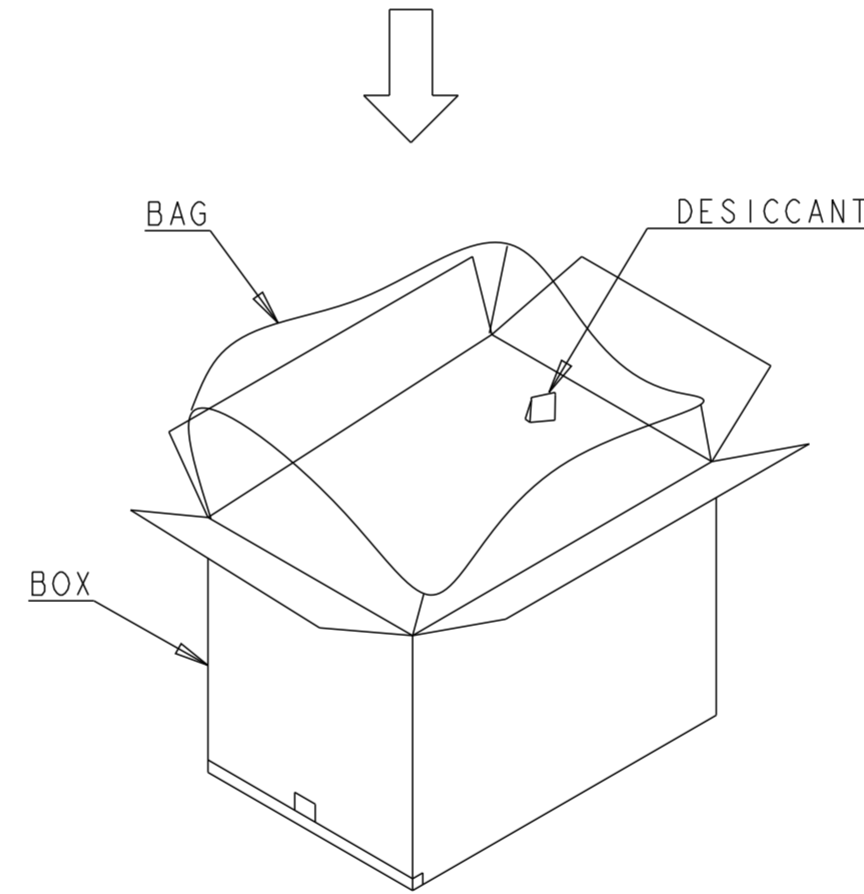
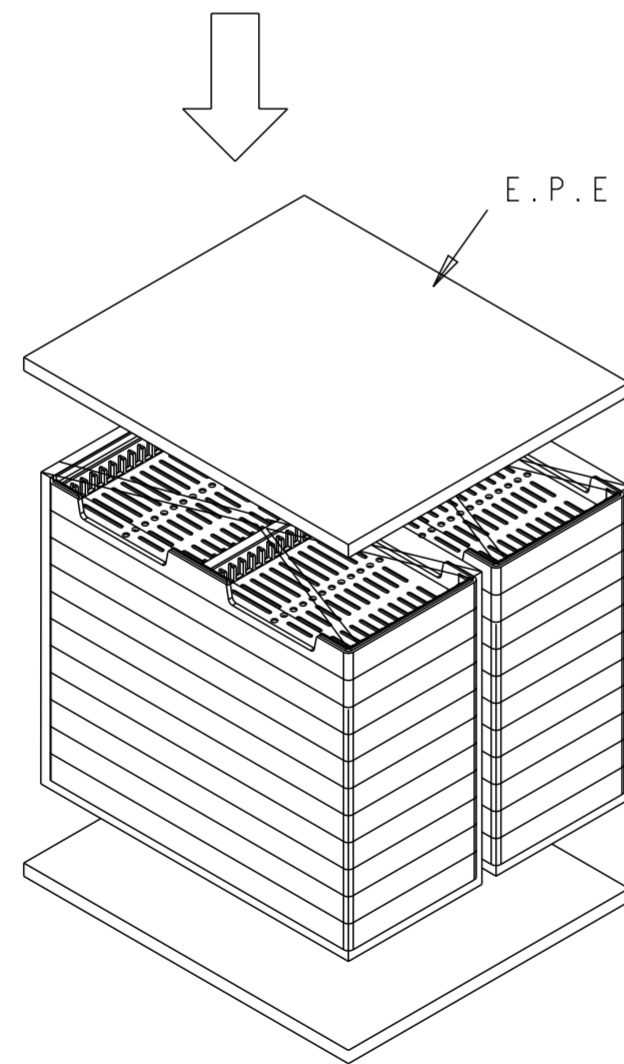
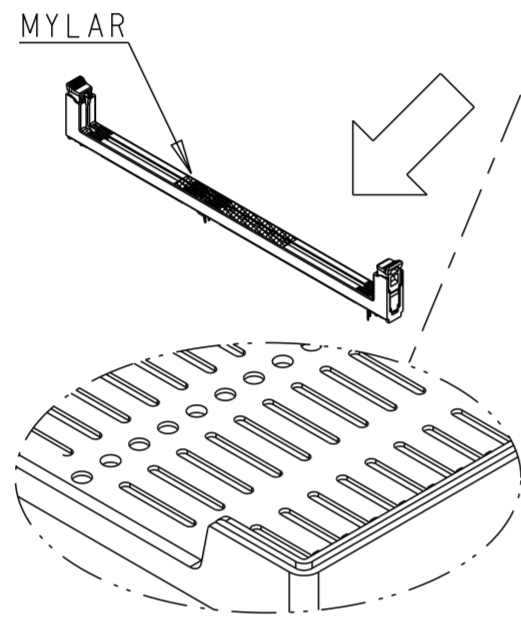
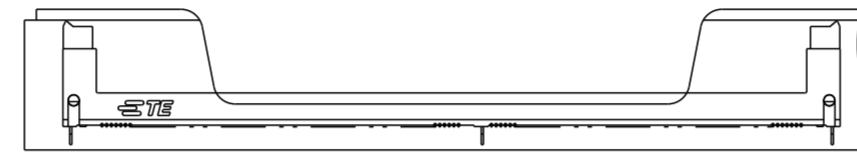
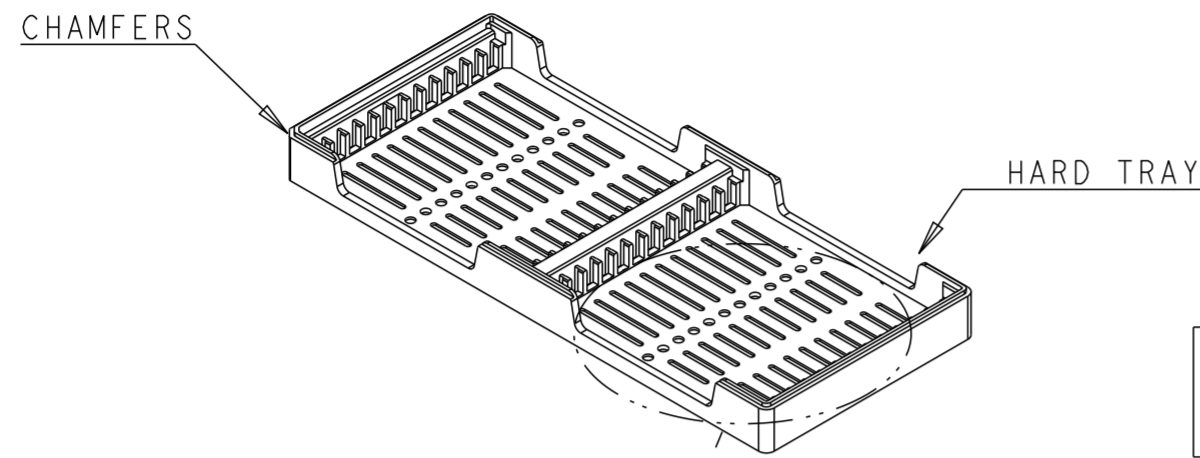
THIS DRAWING IS A CONTROLLED DOCUMENT.

DWN RICHARD MA 18MAR2013	 TE Connectivity	NAME SOCKET ASSEMBLY DDR4 DIMM, SMT TYPE 288 POSITION		
CHK SIMON LI 18MAR2013				
APVD COREI WANG 18MAR2013				
PRODUCT SPEC				
MATERIAL	SIZE A2	CAGE CODE 00779	DRAWING NO C-2199155	RESTRICTED TO
TOLERANCES UNLESS OTHERWISE SPECIFIED:	SCALE 1:1	SHEET 6 OF 7	REV 33	

CUSTOMER DRAWING

THIS DRAWING IS UNPUBLISHED. RELEASED FOR PUBLICATION 20
 © COPYRIGHT 20 TE CONNECTIVITY ALL RIGHTS RESERVED.

LOC		DIST		REVISIONS			
P	LTR	DESCRIPTION	DATE	DWN	APVD		
-	-						



- MATERIALS :
 TRAY: HIPS, COLOR: BLACK
 BOX: CORRUGATED FIBERBOARD
 TRANSPARENT BAG: PE
- DIMENSIONS:
 TRAY: L=310;W=134;H=26
 BOX: L=340;W=300;H=310
- QUANTITY:
 24 PCS/TRAY
 480 PCS/BOX
- WEIGHT:
 NET WEIGHT: 2.6KG
 GROSS WEIGHT: 5.8KG

THIS DRAWING IS A CONTROLLED DOCUMENT.		DWN 18MAR2013 RICHARD MA	STE TE Connectivity	
DIMENSIONS: mm		CHK 18MAR2013 SIMON LI		
TOLERANCES UNLESS OTHERWISE SPECIFIED:		APVD 18MAR2013 COREI WANG	NAME SOCKET ASSEMBLY DDR4 DIMM,SMT TYPE 288 POSITION	
0 PLC ± 1 PLC ±0.25 2 PLC ±0.15 3 PLC ±0.10 4 PLC ± ANGLES ± FINISH		PRODUCT SPEC - APPLICATION SPEC -	SIZE A200779	CAGE CODE C-2199155
MATERIAL -		WEIGHT -	DRAWING NO C-2199155	RESTRICTED TO -
CUSTOMER DRAWING			SCALE 1:1	SHEET 7 OF 7 REV 33