



Chipsmall Limited consists of a professional team with an average of over 10 year of expertise in the distribution of electronic components. Based in Hongkong, we have already established firm and mutual-benefit business relationships with customers from,Europe,America and south Asia,supplying obsolete and hard-to-find components to meet their specific needs.

With the principle of “Quality Parts,Customers Priority,Honest Operation,and Considerate Service”,our business mainly focus on the distribution of electronic components. Line cards we deal with include Microchip,ALPS,ROHM,Xilinx,Pulse,ON,Everlight and Freescale. Main products comprise IC,Modules,Potentiometer,IC Socket,Relay,Connector.Our parts cover such applications as commercial,industrial, and automotives areas.

We are looking forward to setting up business relationship with you and hope to provide you with the best service and solution. Let us make a better world for our industry!



## Contact us

Tel: +86-755-8981 8866 Fax: +86-755-8427 6832

Email & Skype: info@chipsmall.com Web: www.chipsmall.com

Address: A1208, Overseas Decoration Building, #122 Zhenhua RD., Futian, Shenzhen, China



4

3

2

1

THIS DRAWING IS UNPUBLISHED.

RELEASED FOR PUBLICATION

20

© COPYRIGHT 20 BY -

ALL RIGHTS RESERVED.

LOC -

DIST -

REVISIONS

P	LTR	DESCRIPTION	DATE	DWN	APVD
	A4	REVISED ON KEY DIMENSION MARK	16DEC2014	I.T	W.H

① MATERIAL  
CONTACT: COPPER ALLOY, C7035 TM06.  
HOUSING: PA-4T, UL94V-0, BLACK.  
SOLDER PEG: BRASS OR STAINLESS STEEL.

② FINISH  
CONTACT: 1.0 µm MIN. NICKEL UNDER PLATING.  
0.2 µm MIN. GOLD PLATING AT CONTACT AREA.  
0.025 µm MIN. GOLD PLATING AT SOLDERING AREA.  
SOLDER PEG: 1.0 µm MIN. NICKEL UNDER PLATING.  
1.5 µm MIN. TIN PLATING.

②\* 3. COPLANARITY 0.08MM MAX, 0.1MM MAX AFTER REFLOW.

④ PICK UP AREA

⑤ EMBOSS AND COVER TAPE: ESD PROTECTION MATERIAL

⑥ MARK WITH DATE CODE, YYWWD: YY-YEAR, WW-WEEK, D-DAY

⑦ STORAGE LIFE: AT LEAST 12 MONTHS.

⑧ DIMENSIONS BE MARKED '\* ' ARE KEY DIMENSIONS.

2199206-1 AS SHOWN

THIS DRAWING IS A CONTROLLED DOCUMENT.

DWN 18SEP2012

ZHANG WEI

CHK 18SEP2012

XU XIANG

APVD 18SEP2012

STEVNE YAO

PRODUCT SPEC

108-115054

APPLICATION SPEC

-

WEIGHT

0.294g

NAME

RIGHT ANGLE, 4 POS MID-MOUNT BATTERY CONNECTOR

SIZE

CAGE CODE

DRAWING NO

RESTRICTED TO

A3

00779

C=2199206

-

CUSTOMER DRAWING

SCALE 5:1

SHEET 1 OF 3

REV A4

1470-19 (3/11)

Pro/ENGINEER DRAWING

THIS DRAWING IS UNPUBLISHED.

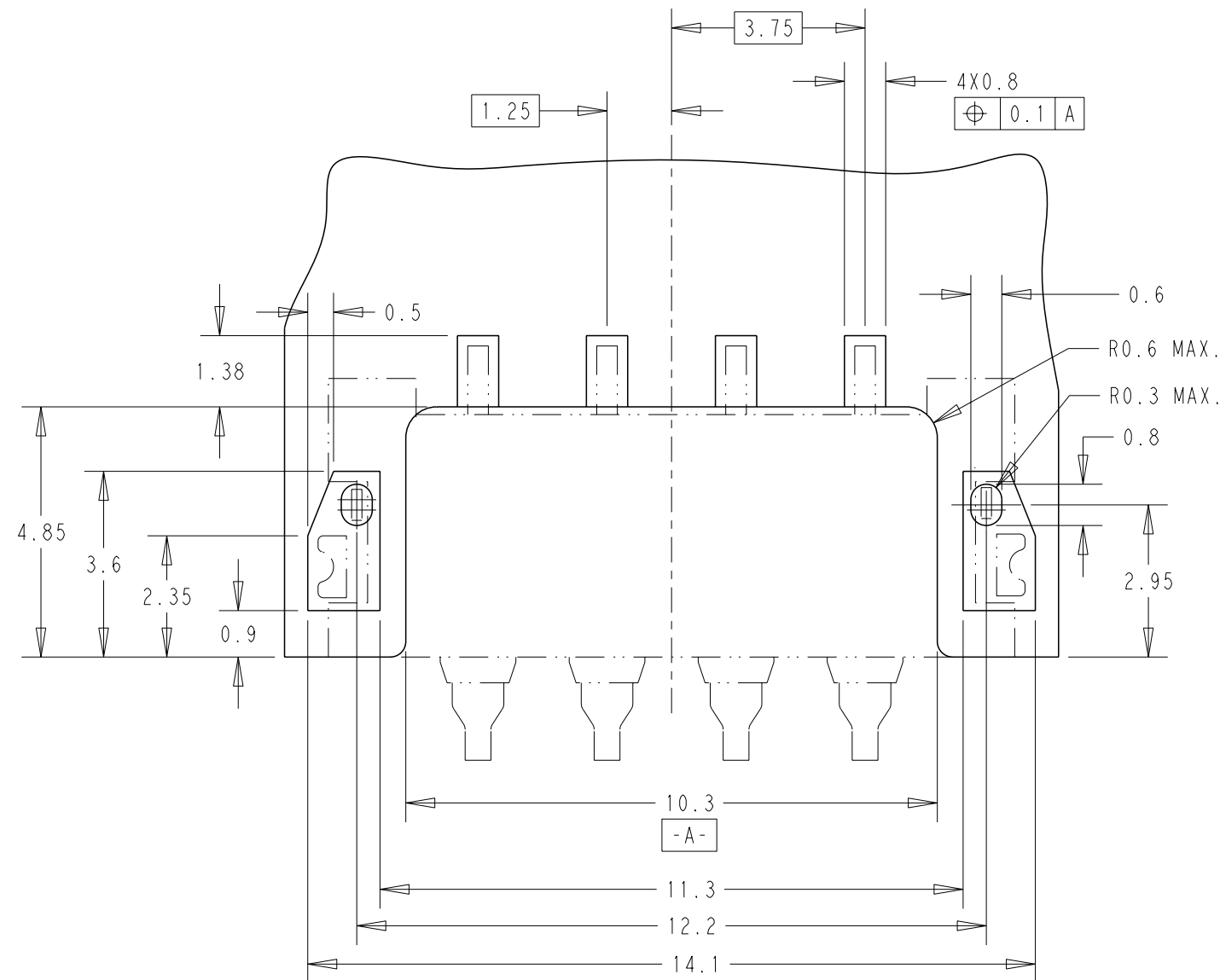
RELEASED FOR PUBLICATION

20

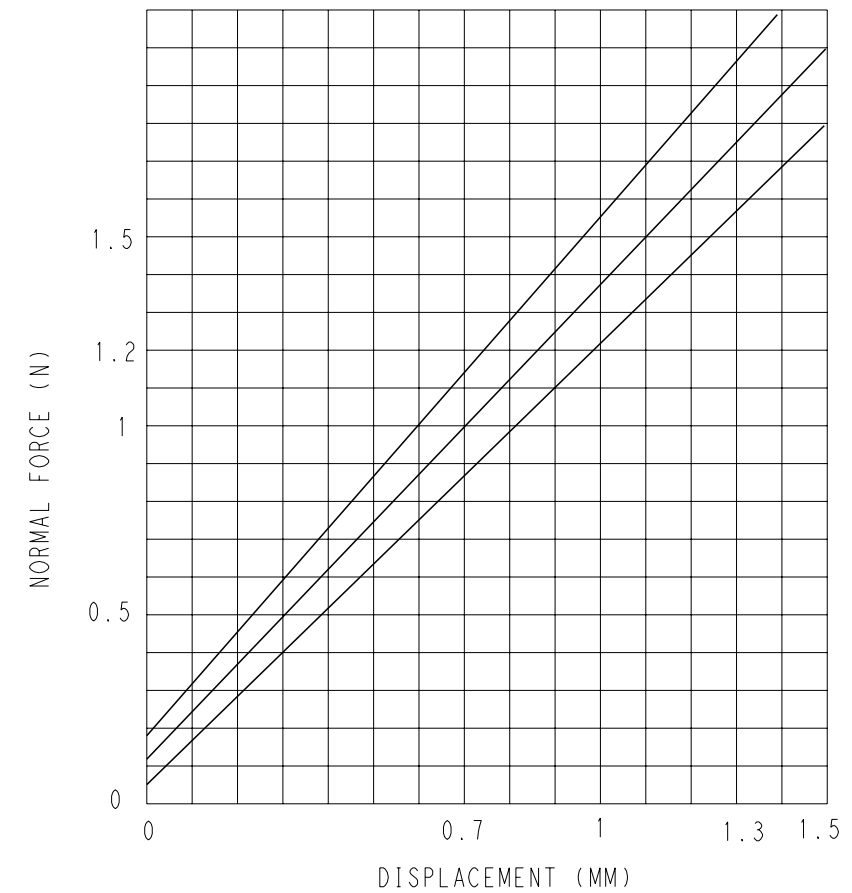
© COPYRIGHT 20 BY -

ALL RIGHTS RESERVED.

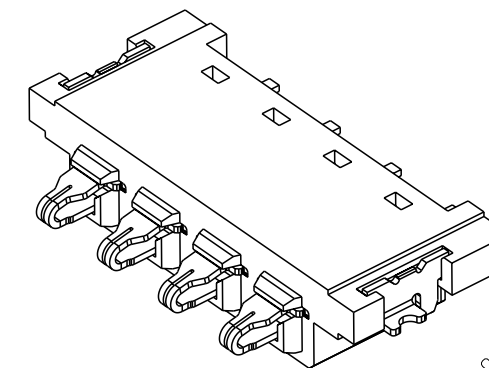
LOC	DIST	REVISIONS			
P	LTR	DESCRIPTION	DATE	DWN	APVD
-	-	SEE SHEET 1			



RECOMMENDED PCB LAYOUT  
GENERAL TOLERANCE: ±0.05



NORMAL FORCE CURVE FOR REFERENCE



SCALE 5:1  
3D VIEW FOR REFERENCE

THIS DRAWING IS A CONTROLLED DOCUMENT.		DWN ZHANG WEI 18SEP2012				
DIMENSIONS: mm		CHK XU XIANG 18SEP2012				
TOLERANCES UNLESS OTHERWISE SPECIFIED:		APVD STEVNE YAO 18SEP2012				
0 PLC ± 0.3 1 PLC ± 0.2 2 PLC ± 0.2 3 PLC ± 0.2 4 PLC ± 0.1 ANGLES ± 3		NAME RIGHT ANGLE, 4 POS MID-MOUNT BATTERY CONNECTOR				
MATERIAL		PRODUCT SPEC 108-115054	SIZE A3	CAGE CODE 00779	DRAWING NO C-2199206	RESTRICTED TO -
FINISH		APPLICATION SPEC -	SCALE 5:1		SHEET 2 OF 3	REV A4
1		WEIGHT 0.294g		CUSTOMER DRAWING		

THIS DRAWING IS UNPUBLISHED.

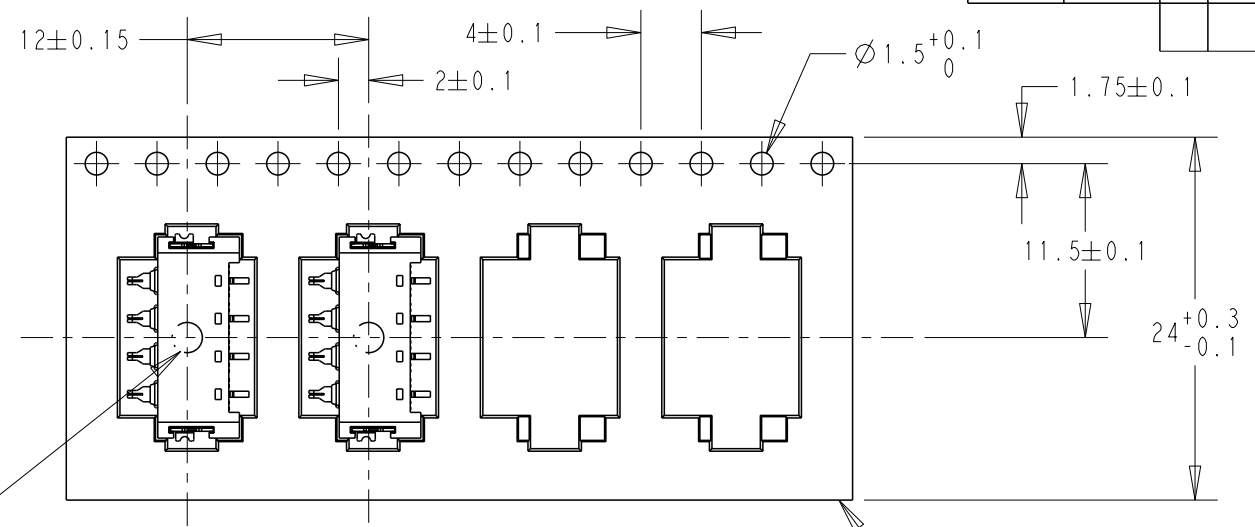
RELEASED FOR PUBLICATION

20

© COPYRIGHT 20 BY -

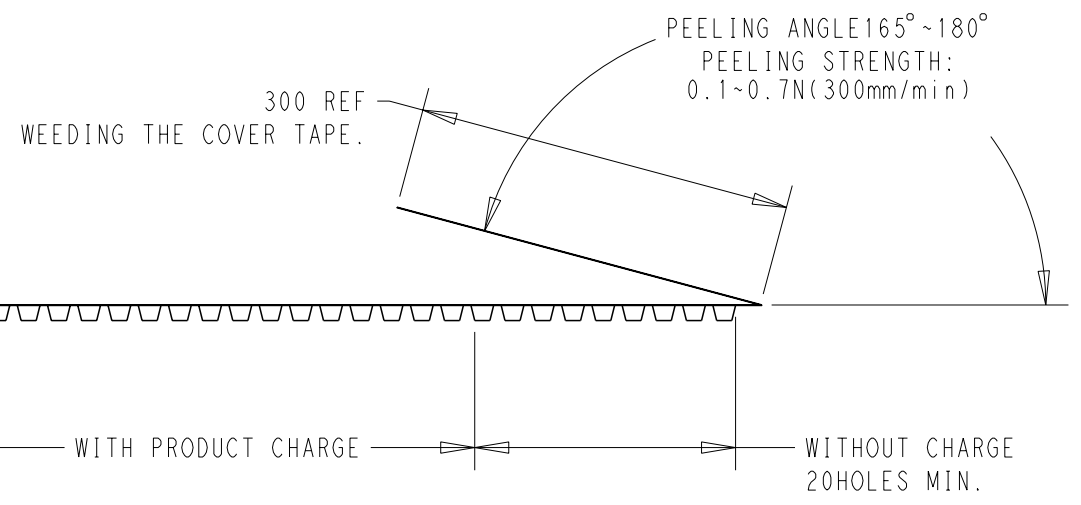
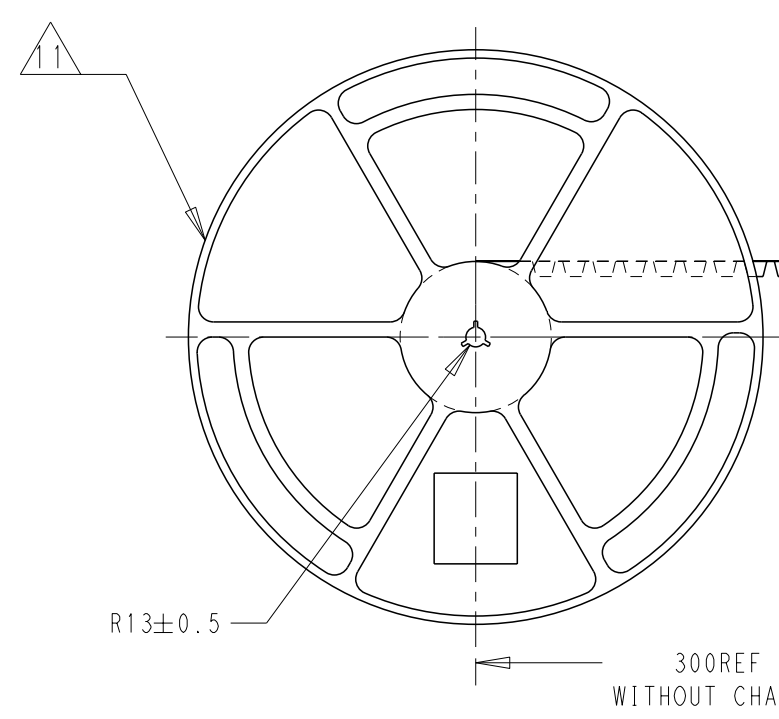
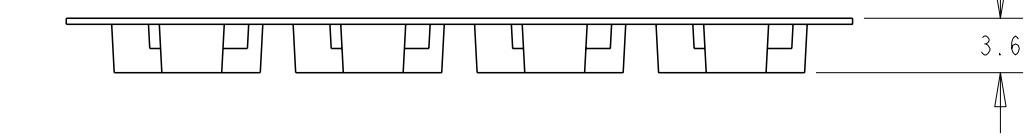
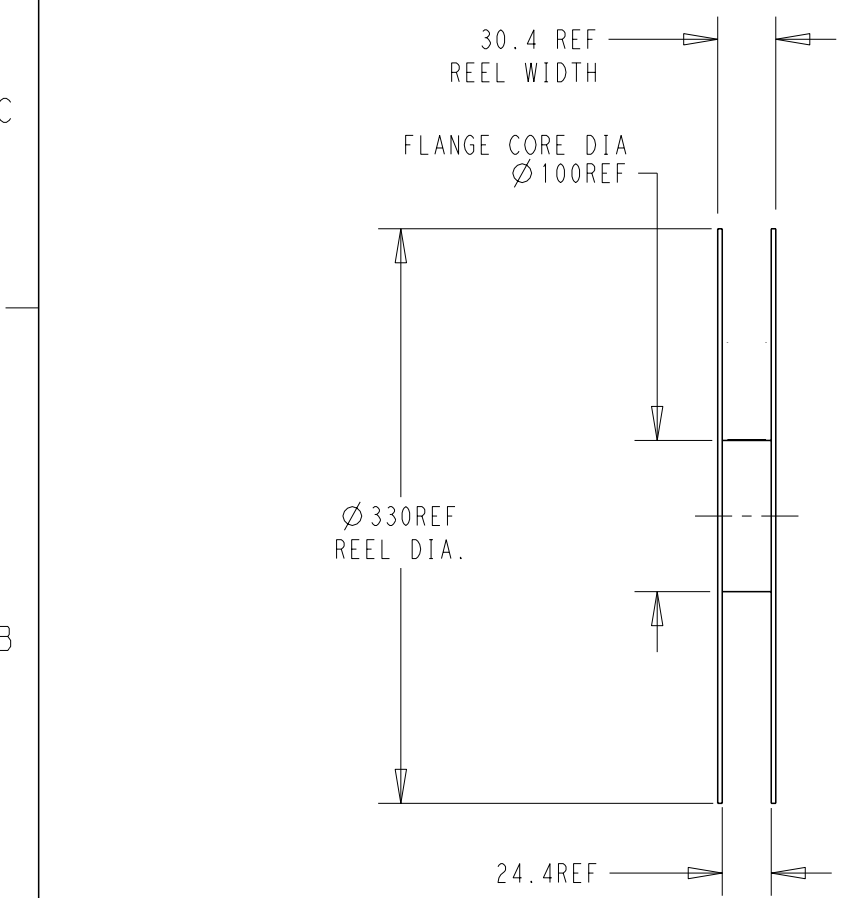
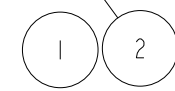
ALL RIGHTS RESERVED.

LOC	DIST	REVISIONS			
P	LTR	DESCRIPTION	DATE	DWN	APVD
-	-	SEE SHEET 1			



CENTER OF THE PICKING PLACE

URER DIRECTION OF UNREELING



WITH PRODUCT CHARGE

WITHOUT CHARGE 20HOLES MIN.

1500	TBD	1533494-1
QTY/REEL	② COVER TAPE	① EMBOSS TAPE

THIS DRAWING IS A CONTROLLED DOCUMENT.		DWN ZHANG WEI 18SEP2012			<b>RIGHT ANGLE, 4 POS MID-MOUNT BATTERY CONNECTOR</b>		
DIMENSIONS: mm		CHK XU XIANG 18SEP2012					
TOLERANCES UNLESS OTHERWISE SPECIFIED:		APVD STEVNE YAO 18SEP2012					
0 PLC ±0.3 1 PLC ±0.3 2 PLC ±0.3 3 PLC ±0.3 4 PLC ±0.3 ANGLES ±3		PRODUCT SPEC 108-115054					
MATERIAL		FINISH	APPLICATION SPEC -	SIZE A3	CAGE CODE 00779	DRAWING NO C-2199206	RESTRICTED TO -
CUSTOMER DRAWING			WEIGHT 0.294g	SCALE 5:1	SHEET 3 OF 3	REV A4	